



US00D472230S

(12) **United States Design Patent**  
**Chan**

(10) **Patent No.:** **US D472,230 S**

(45) **Date of Patent:** **\*\* Mar. 25, 2003**

(54) **AM/FM WATER RESISTANT RADIO**

D323,826 S \* 2/1992 Suzuk et al. .... D14/188 X  
D345,161 S \* 3/1994 Murphy ..... D14/168  
D348,461 S \* 7/1994 Peersmann ..... D14/189

(75) Inventor: **Yin Chau Chan**, New Territories (HK)

(73) Assignee: **Gonica Electronic Co., Ltd.**, New Territories (HK)

\* cited by examiner

(\*\*) Term: **14 Years**

*Primary Examiner*—Nanda Bondade  
(74) *Attorney, Agent, or Firm*—Rabin & Berdo, P.C.

(21) Appl. No.: **29/158,804**

(57) **CLAIM**

(22) Filed: **Apr. 11, 2002**

The ornamental design for an AM/FM water resistant radio, as shown and described.

**Related U.S. Application Data**

**DESCRIPTION**

(63) Continuation-in-part of application No. 29/140,840, filed on Apr. 26, 2001.

(51) **LOC (7) Cl.** ..... **14-03**

(52) **U.S. Cl.** ..... **D14/196; D14/198**

(58) **Field of Search** ..... D10/1, 2, 15; D14/160–165, D14/167–168, 170–171, 188, 192–198; 455/344, 345, 347–351

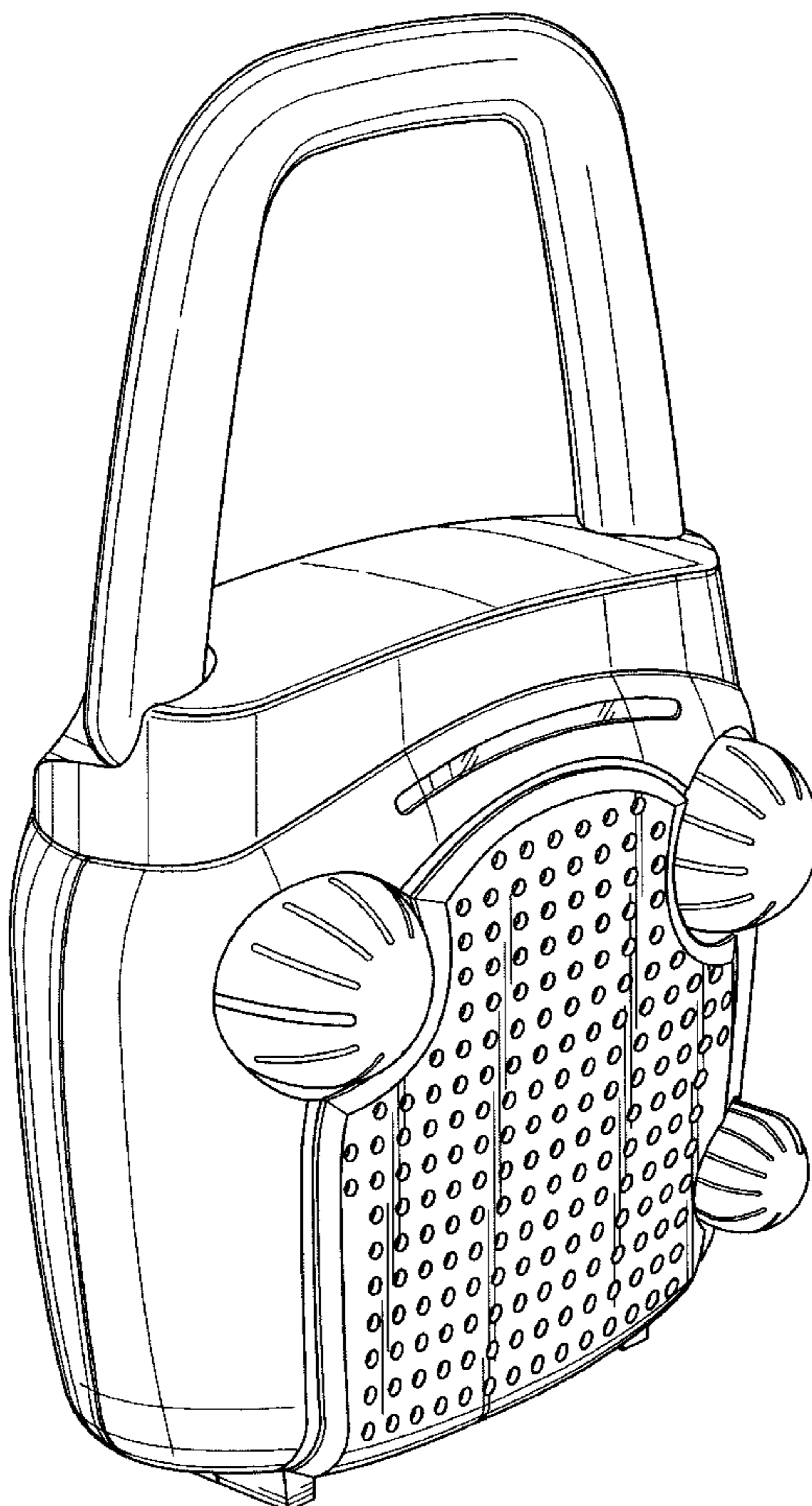
FIG. 1 is a front perspective view of an AM/FM water resistant radio showing my new design;  
FIG. 2 is a front view thereof;  
FIG. 3 is a top plan view thereof;  
FIG. 4 is a left side view thereof;  
FIG. 5 is a right side view thereof;  
FIG. 6 is a rear view thereof; and,  
FIG. 7 is a bottom plan view thereof.

(56) **References Cited**

**U.S. PATENT DOCUMENTS**

D321,881 S \* 11/1991 Hopewel ..... D14/192

**1 Claim, 4 Drawing Sheets**



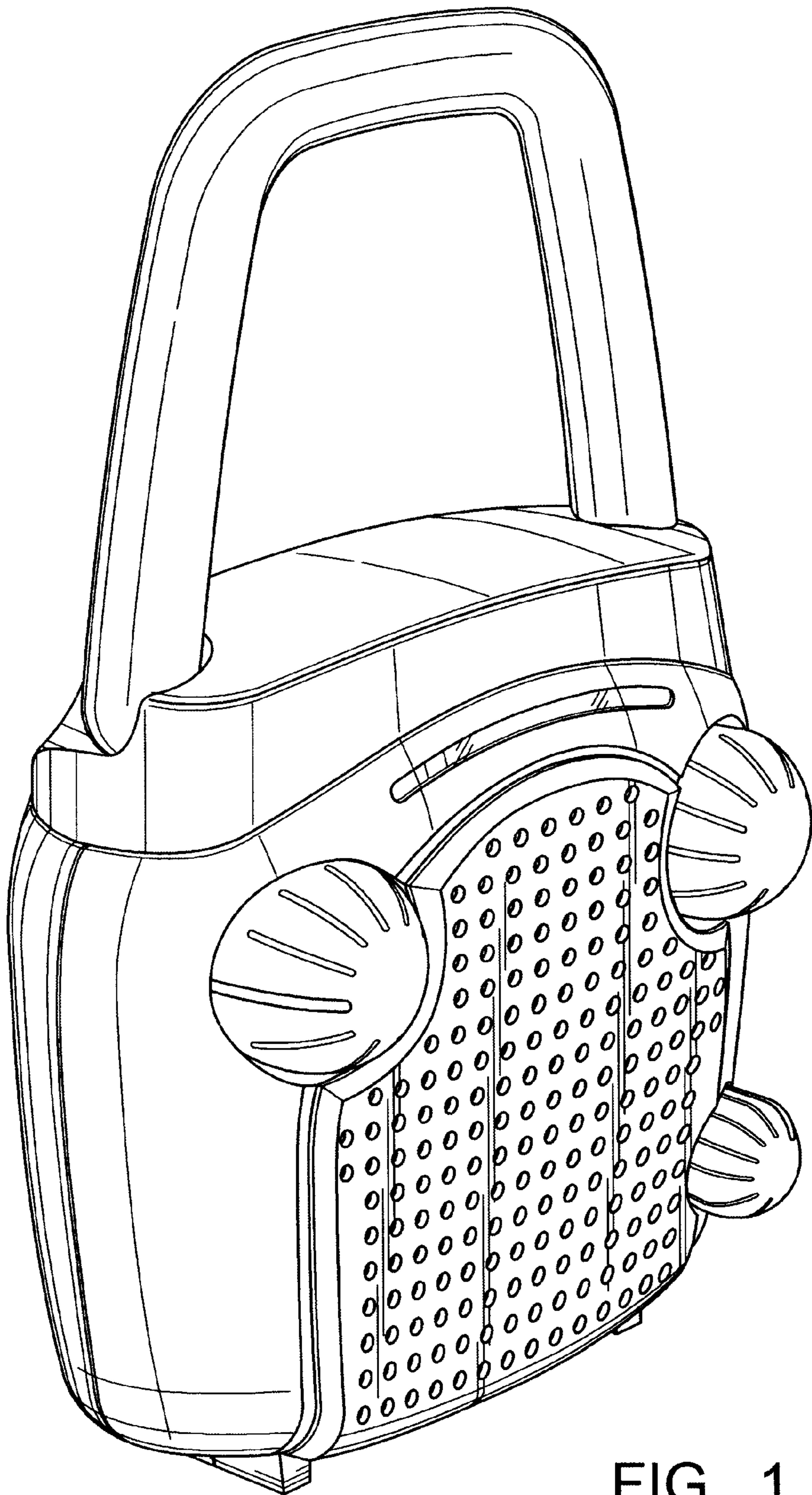


FIG. 1

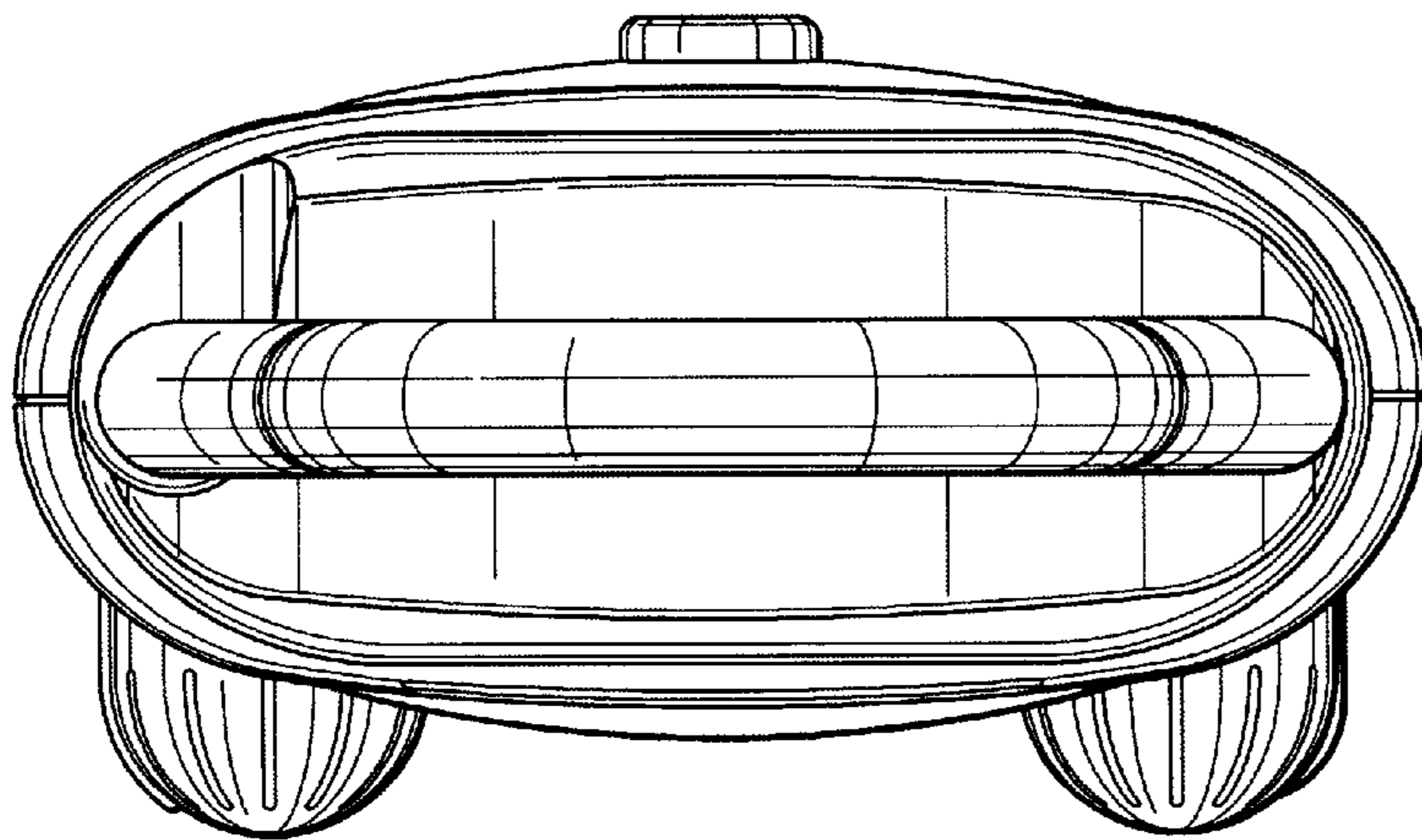


FIG. 3

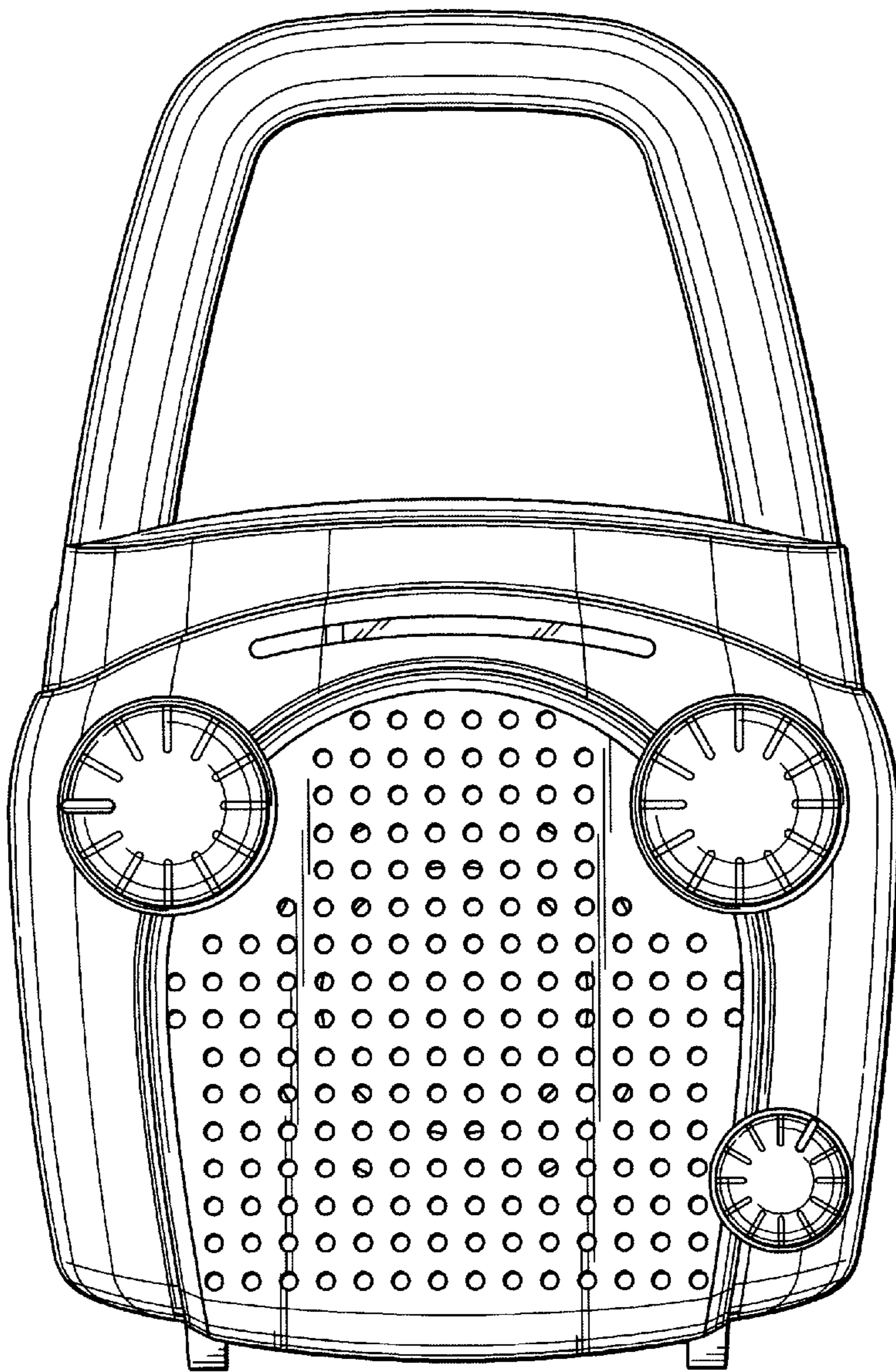


FIG. 2

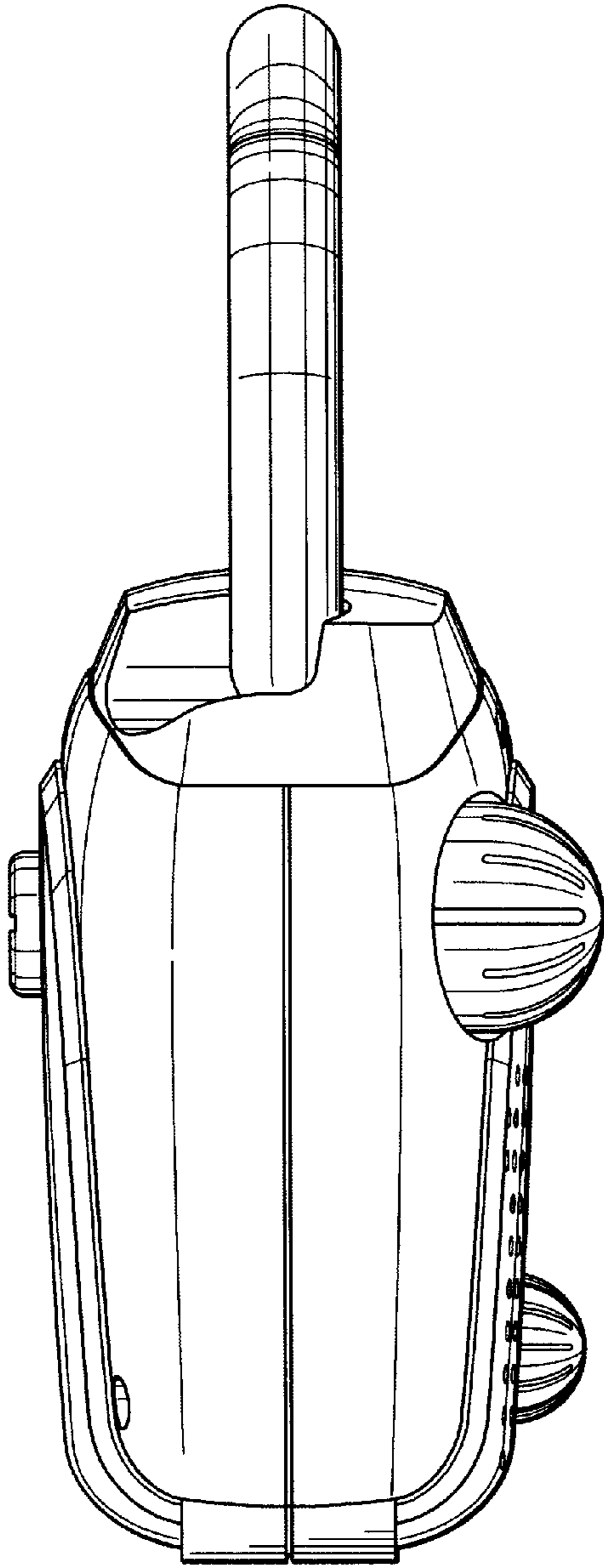


FIG. 4

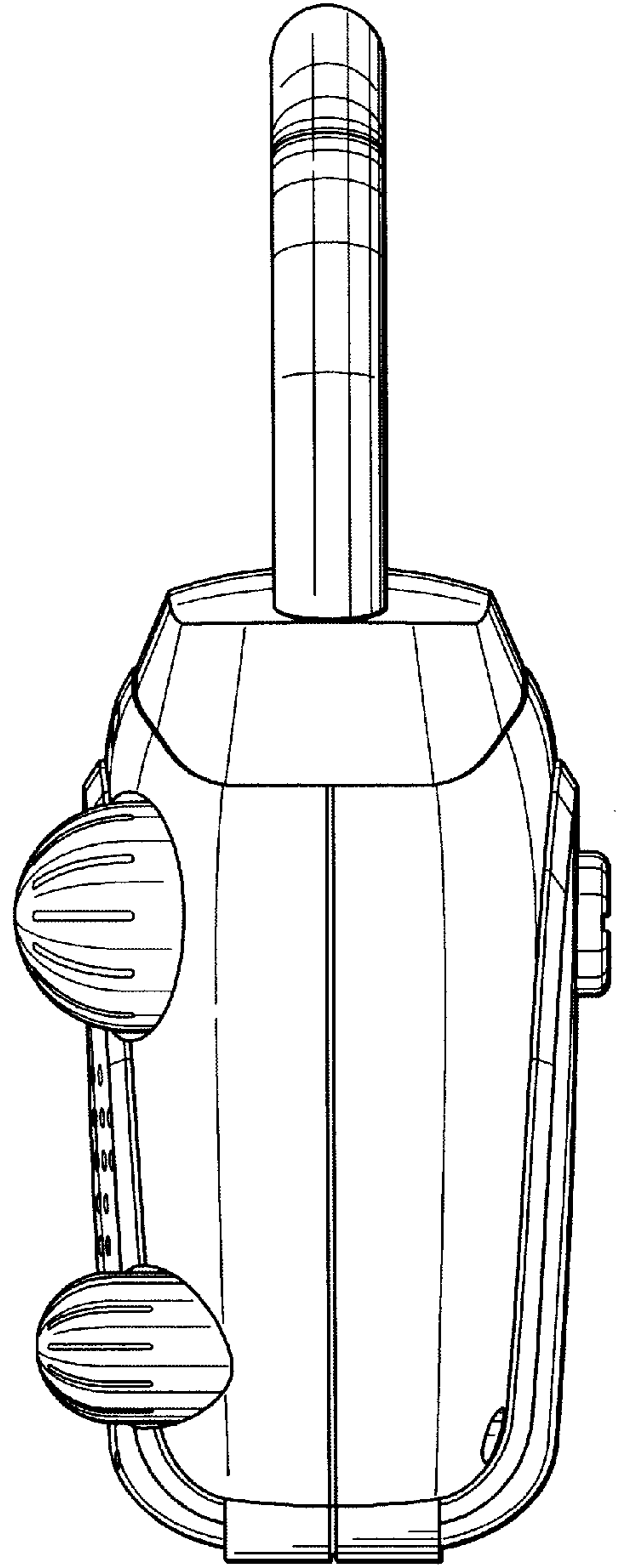


FIG. 5

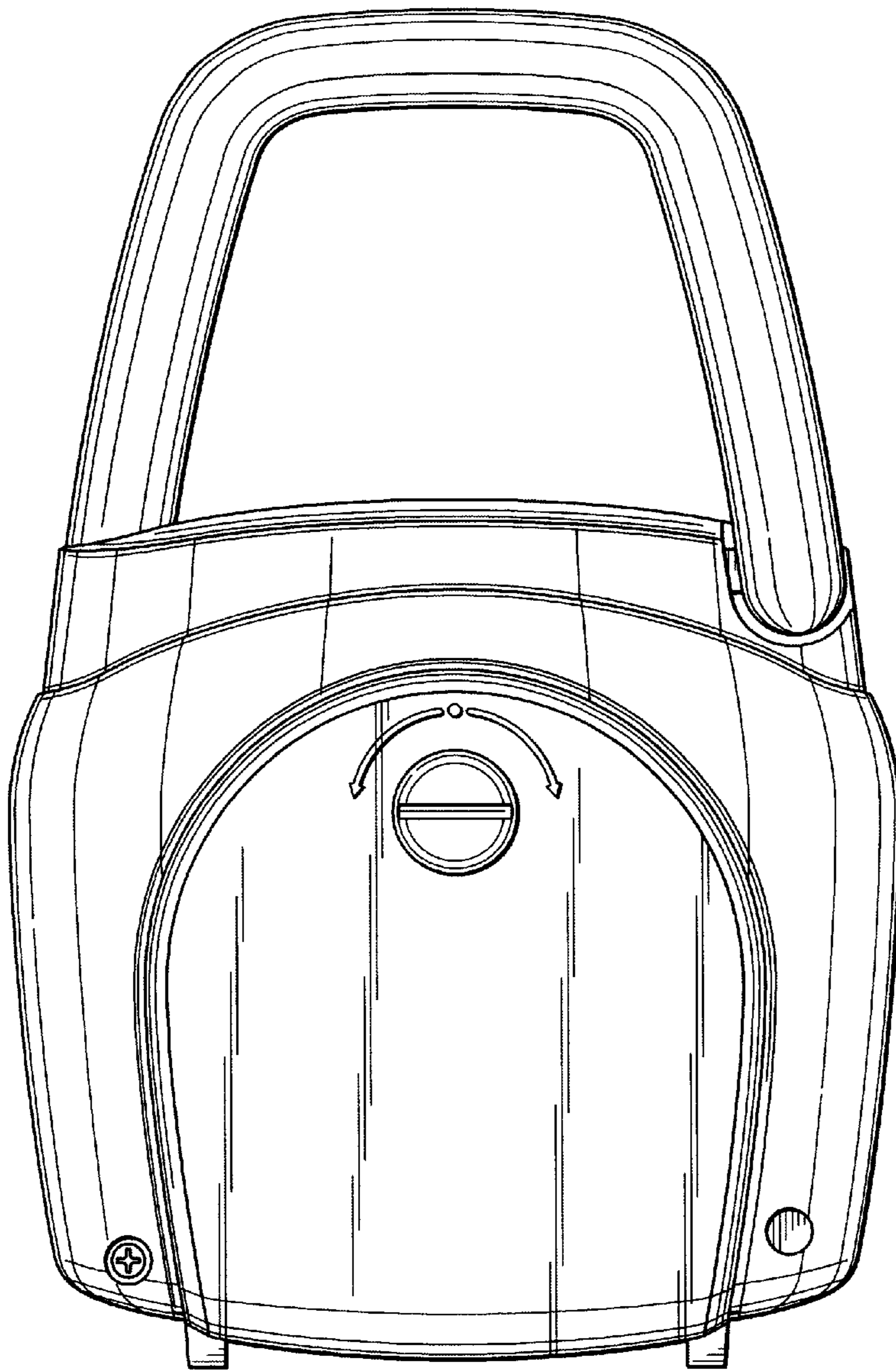


FIG. 6

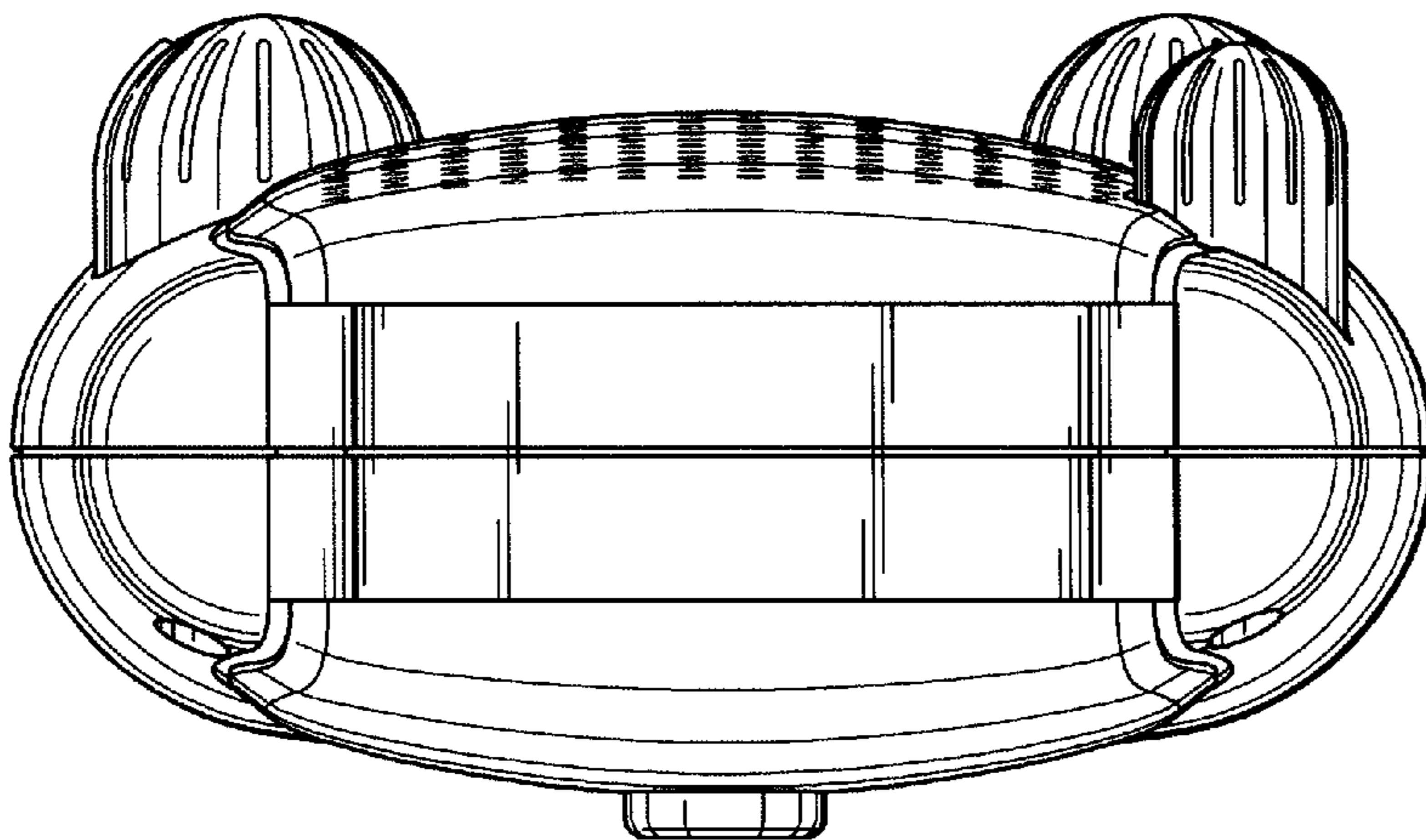


FIG. 7