



US00D47227S

(12) **United States Design Patent**  
**Takayama et al.**

(10) **Patent No.:** **US D472,227 S**

(45) **Date of Patent:** **\*\* Mar. 25, 2003**

(54) **TELEPHONE BASE UNIT**

(75) Inventors: **Steven R. Takayama**, Atherton, CA  
(US); **Branko Lukic**, Menlo Park, CA  
(US)

(73) Assignee: **Cisco Technology, Inc.**, San Jose, CA  
(US)

(\*\*) Term: **14 Years**

(21) Appl. No.: **29/152,544**

(22) Filed: **Dec. 21, 2001**

(51) **LOC (7) Cl.** ..... **14-03**

(52) **U.S. Cl.** ..... **D14/151**

(58) **Field of Search** ..... D14/434, 329,  
D14/330, 447, 148, 147, 149-151, 140-142,  
240, 241, 251, 253, 130; 379/420.01, 420.02,  
420.03, 419, 420.04, 428.02, 428.01, 428.04,  
428.03, 454, 440, 44, 434-436; D13/107,  
108; 320/110, 113, 114, 115

(56) **References Cited**

**U.S. PATENT DOCUMENTS**

D210,378 S	3/1968	Perkins .....	D14/248
D274,330 S	6/1984	Winkler .....	D14/151
D277,476 S	2/1985	Foggia et al. ....	D14/241
D284,568 S	7/1986	Yamagami et al. ....	D14/151
D284,571 S	* 7/1986	Marshall .....	D14/151
D294,248 S	* 2/1988	Richter et al. ....	D14/151
D297,137 S	* 8/1988	Richter et al. ....	D14/151
D297,935 S	10/1988	Kurosu et al. ....	D14/151
D303,386 S	* 9/1989	Iino .....	D14/142
D304,564 S	11/1989	Kido et al. ....	D14/151
D307,426 S	* 4/1990	Ohta et al. ....	D14/142
D307,430 S	* 4/1990	Desbarats .....	D14/151
D317,612 S	6/1991	Dalton .....	D14/248
D319,054 S	8/1991	Appleby .....	D14/151
D320,206 S	9/1991	Graves et al. ....	D14/150
5,121,427 A	* 6/1992	Gumb et al. ....	379/435
D332,786 S	1/1993	Gagnon .....	D14/142
D334,932 S	* 4/1993	Yu .....	D14/151
D342,261 S	12/1993	Grewe et al. ....	D14/248
D349,900 S	8/1994	Read et al. ....	D14/151

D352,943 S	11/1994	Weidinger .....	D14/151
D354,061 S	1/1995	Desbarats .....	D14/248
D354,954 S	1/1995	Naito et al. ....	D14/130
D355,192 S	2/1995	Chang .....	D14/151
D363,285 S	* 10/1995	Vessey et al. ....	D14/151
D368,091 S	3/1996	Yoshikiko et al. ....	D14/151
D374,667 S	10/1996	Elkins et al. ....	D14/151

(List continued on next page.)

**OTHER PUBLICATIONS**

Radio Shack ®, Amplified Equalizer Telephone ET-145, Owner's Manual, Cat. No. 43-598, © 1994 Tandy Corporation.

(List continued on next page.)

*Primary Examiner*—Jeffrey Asch

(74) *Attorney, Agent, or Firm*—Beyer Weaver & Thomas LLP

(57) **CLAIM**

The ornamental design for a telephone base unit, substantially as shown and described.

**DESCRIPTION**

FIG. 1 is a perspective view of a telephone base unit in accordance with the present design, shown with its rear support stand attached such as for upright tabletop presentation wherein the broken line showing of a telephone handset in its cradle is for illustrative purposes only, and forms no part of the claimed design;

FIG. 2 is a second perspective view thereof, with the handset removed from its cradle;

FIG. 3 is a front elevation view thereof;

FIG. 4 is a rear elevation view of thereof;

FIG. 5 is a rear elevation view of thereof showing the telephone base unit with its rear support stand detached such as for flat tabletop presentation or wall mounting;

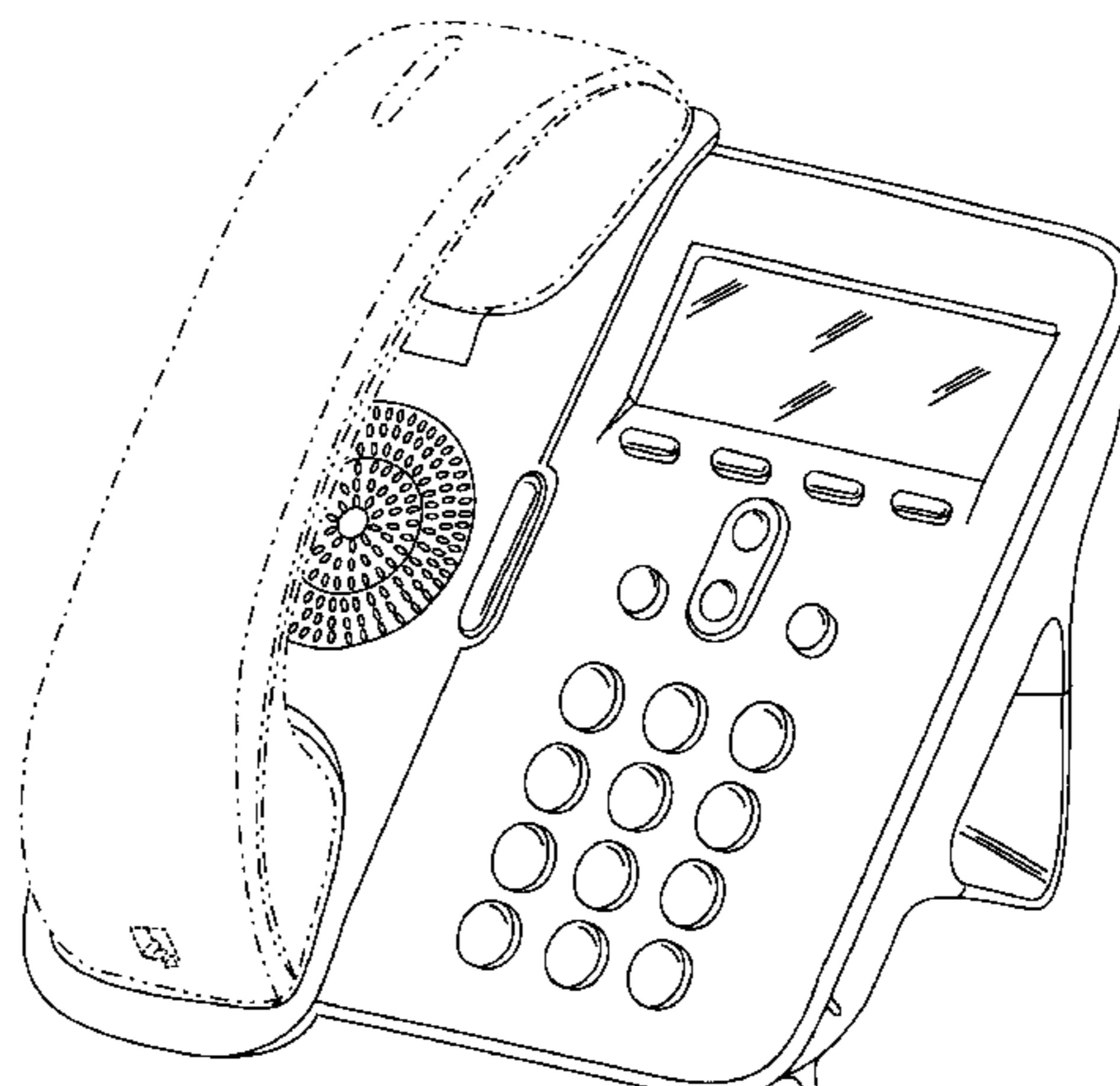
FIG. 6 is a right elevation view of FIG. 1B;

FIG. 7 is a left elevation view of thereof;

FIG. 8 is a top elevation view of thereof; and,

FIG. 9 is a bottom elevation view of thereof.

**1 Claim, 9 Drawing Sheets**



U.S. PATENT DOCUMENTS

D384,673 S	10/1997	Hernandez et al. ....	D14/248
D386,759 S	* 11/1997	Elkins et al. ....	D14/151
D387,056 S	12/1997	Yoneyama .....	D14/151
D387,063 S	12/1997	Hillenmayer et al. ....	D14/241
D391,569 S	3/1998	Brunner et al. ....	D14/144
D405,447 S	2/1999	Landry et al. ....	D14/151
D410,005 S	5/1999	Landry et al. ....	D14/151
D415,148 S	10/1999	Ma et al. ....	D14/130
D417,222 S	11/1999	Johnson et al. ....	D14/241
D426,535 S	* 6/2000	Zeitman .....	D14/151
D427,985 S	7/2000	Takayama et al. ....	D14/151
D428,000 S	7/2000	Takayama et al. ....	D14/241
D431,541 S	* 10/2000	Nagele et al. ....	D14/151
D431,820 S	10/2000	Takayama et al. ....	D14/248
D432,108 S	* 10/2000	Isonaga .....	D14/151
D445,772 S	* 7/2001	Fitzgerald .....	D14/151
D452,489 S	* 12/2001	Nagase .....	D14/151
6,445,793 B1	* 9/2002	Vassallo et al. ....	379/428.01

OTHER PUBLICATIONS

POLYCOM ®, SoundPoint Pro Desktop Conference Phone 3-Line, User's Guide, © 1998 Polycom, Inc.  
 SONY ®, 2-Line ID Telephone IT-M602, Operating Instructions, © 1998 by Sony Corporation.  
 Radio Shack ®, ET-290 TrimFone Telephone, Owner's Manual, Cat No. 43-585B/6B/7A, © 1997 Tandy Corporation.

Nortel, Venture Multiline Communications System, User Guide, © 1997 Northern Telecom.

CASIO PhoneMate, TI-360 Telephone with Digital Answering Machine & Call Waiting Caller ID Display, Owner's Guide. No date given.

SIEMENS, CSL 2000, CSL 3000, User Guide, © Siemens GEC Communication Systems Limited 1998.

CIDCO, Screen Telephone 2100, © 1997 by CIDCO Corporation.

GE, 2-9439 Three Line Business Telephone, User's Guide. no date given.

AT&T 730 No date given.

AT&T 9120 No date given.

GE sn#50219114 no date given.

Lucent 6424D+ no date given.

Lucent Technologies 930 no date given.

Northern Telecom sn#NT2N30AA43 no date given.

Radio Shack ET-283 no date given.

Samsung LCD24B no date given.

Selsius Systems 30SP no date given.

\* cited by examiner

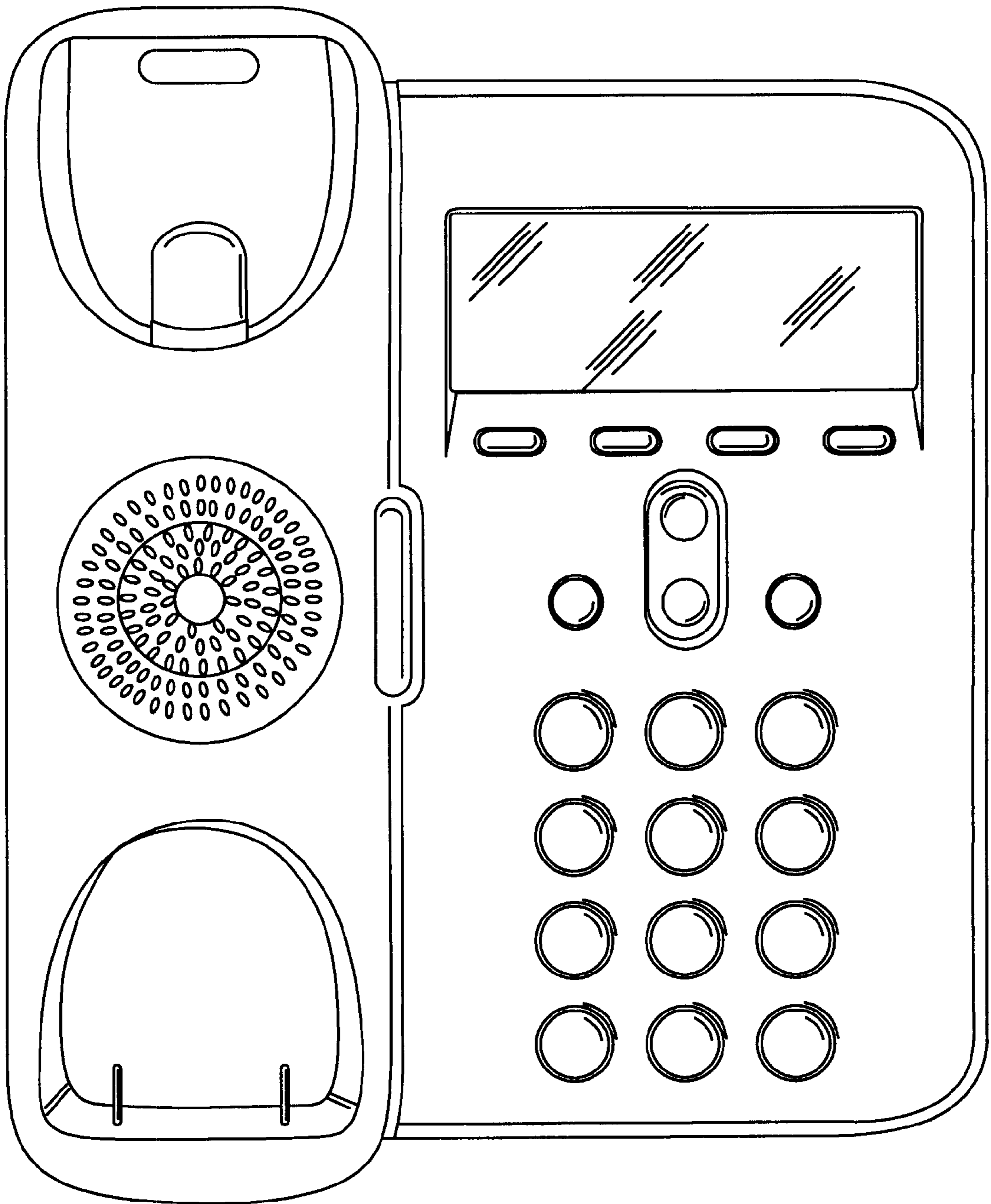


**FIG. 1**

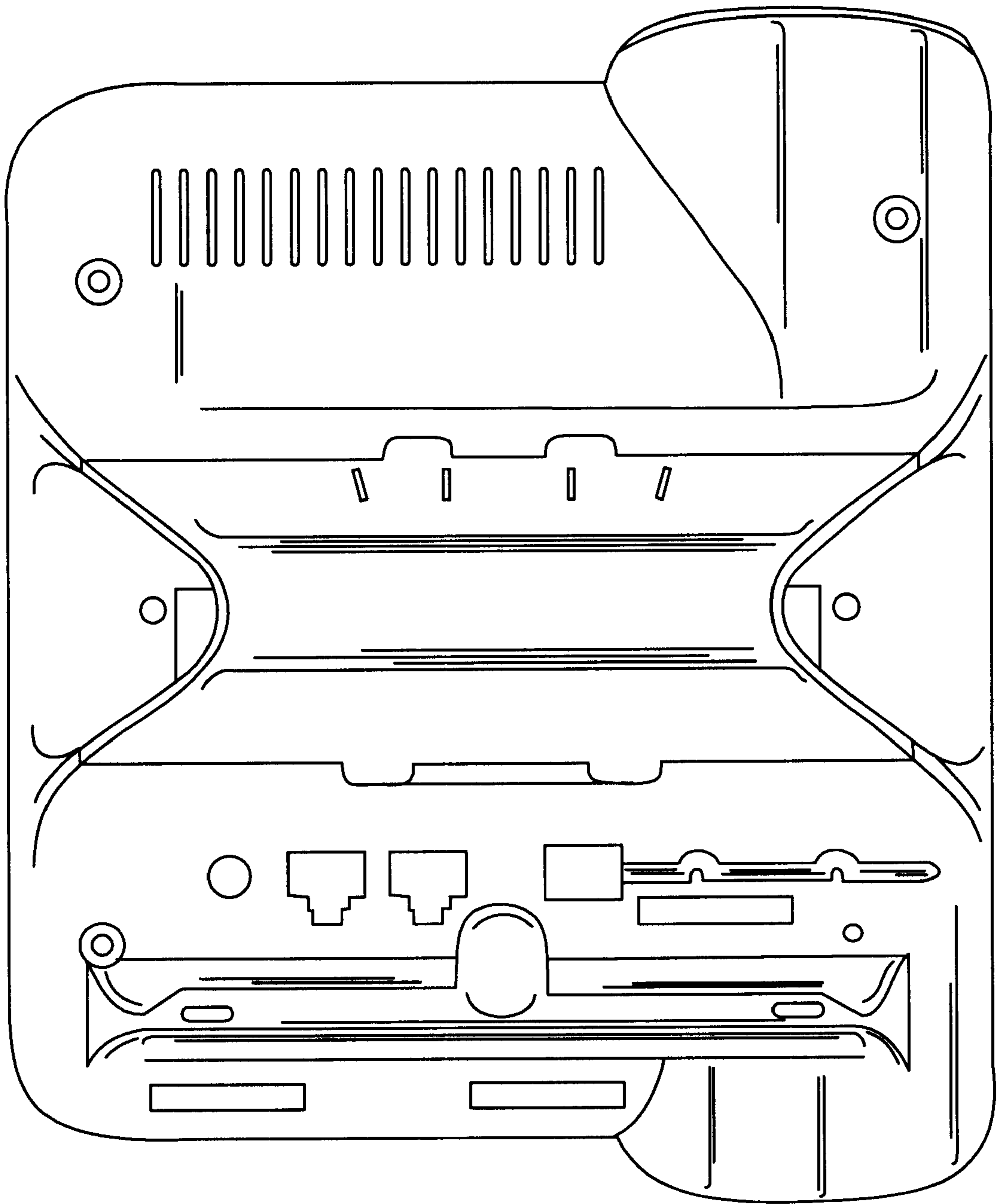




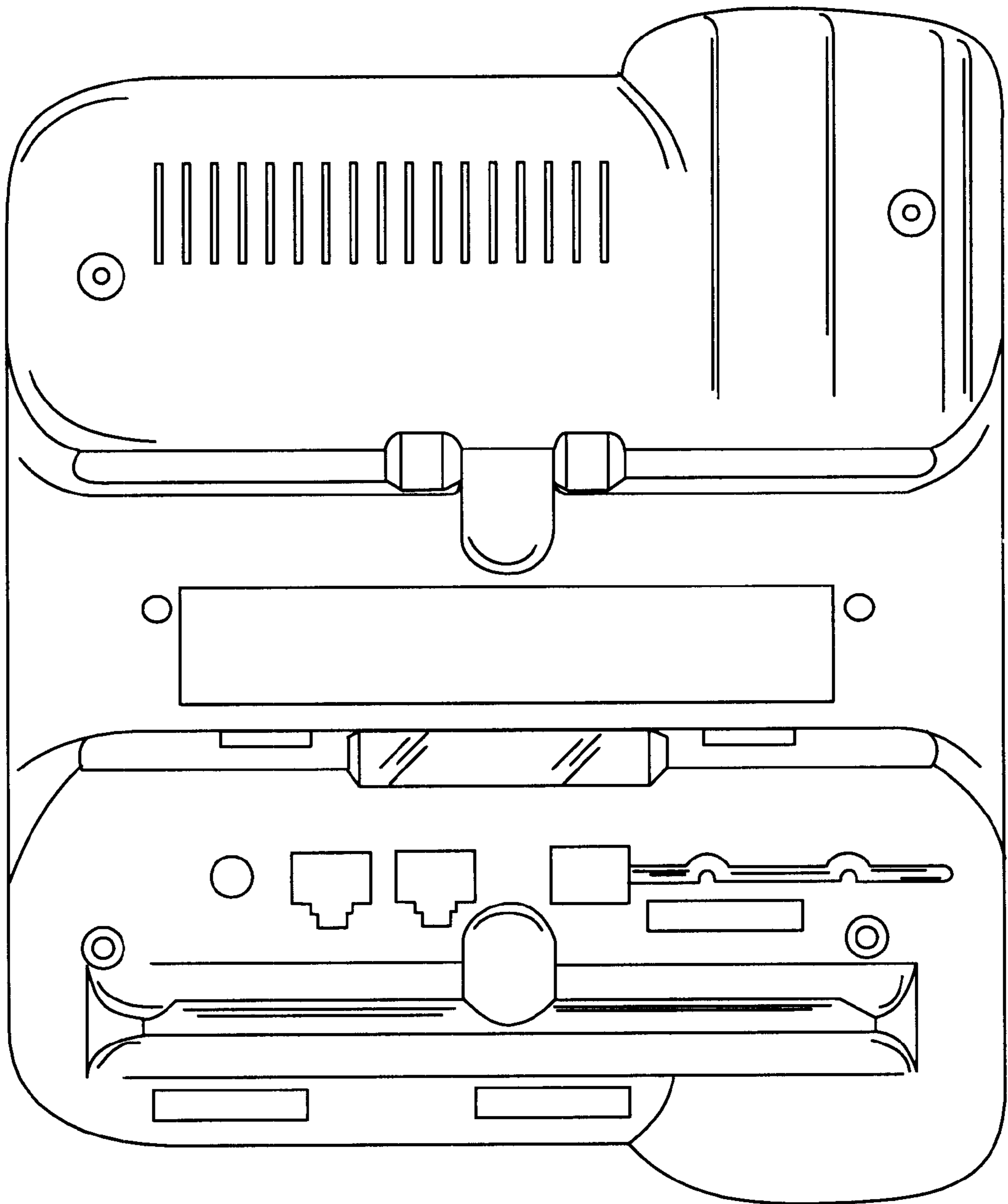
**FIG. 2**



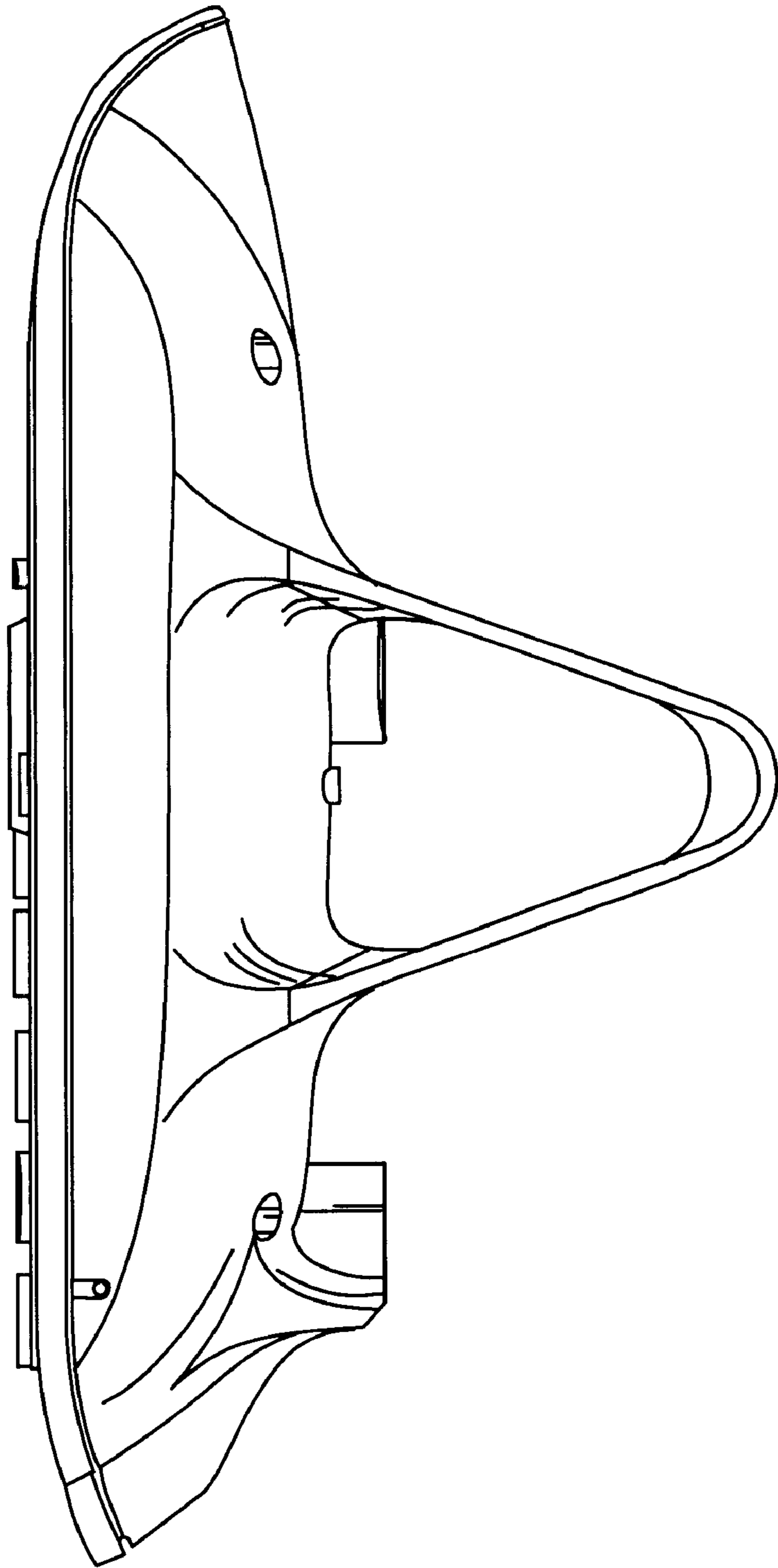
**FIG. 3**



**FIG. 4**

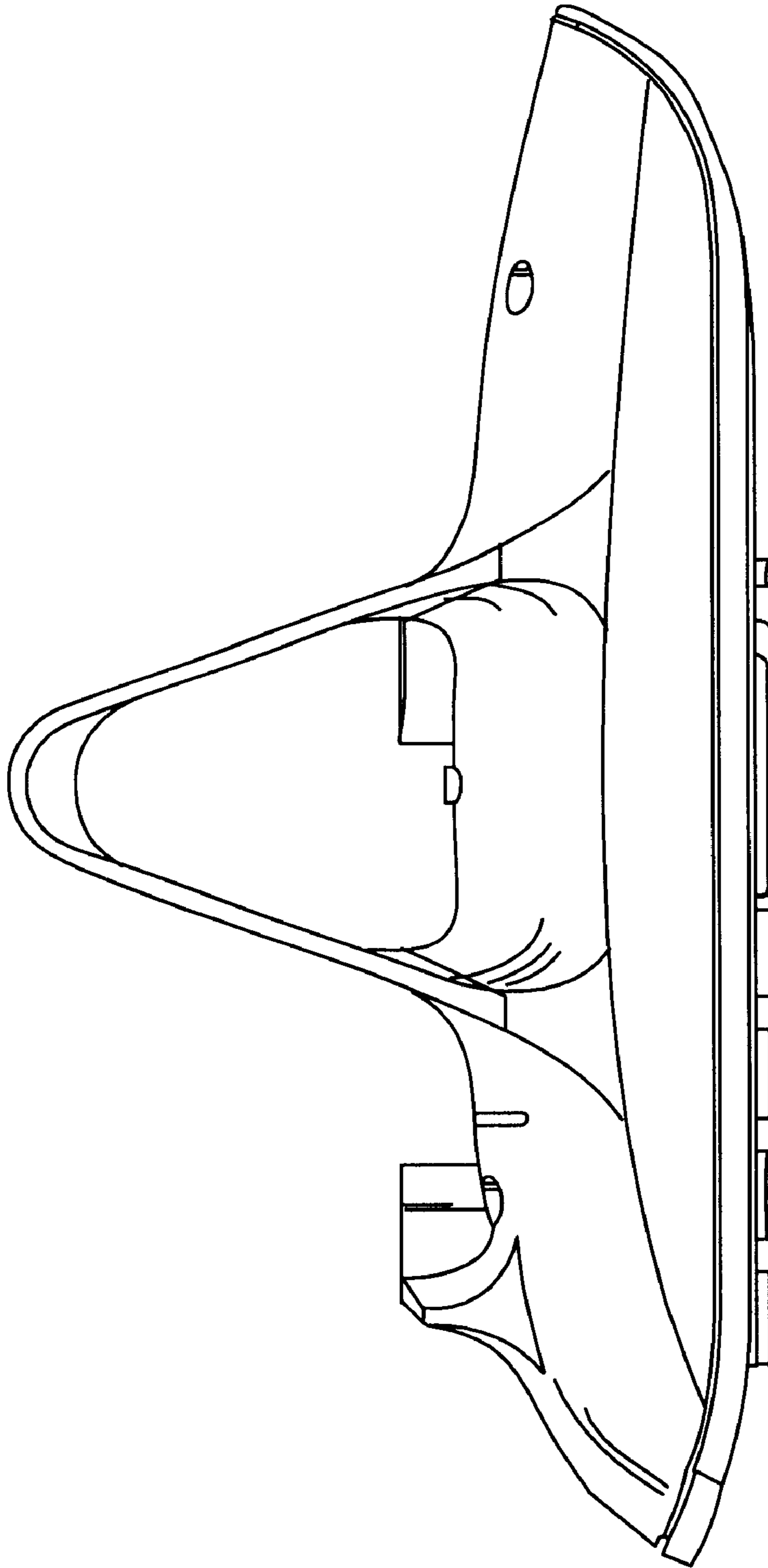


**FIG. 5**

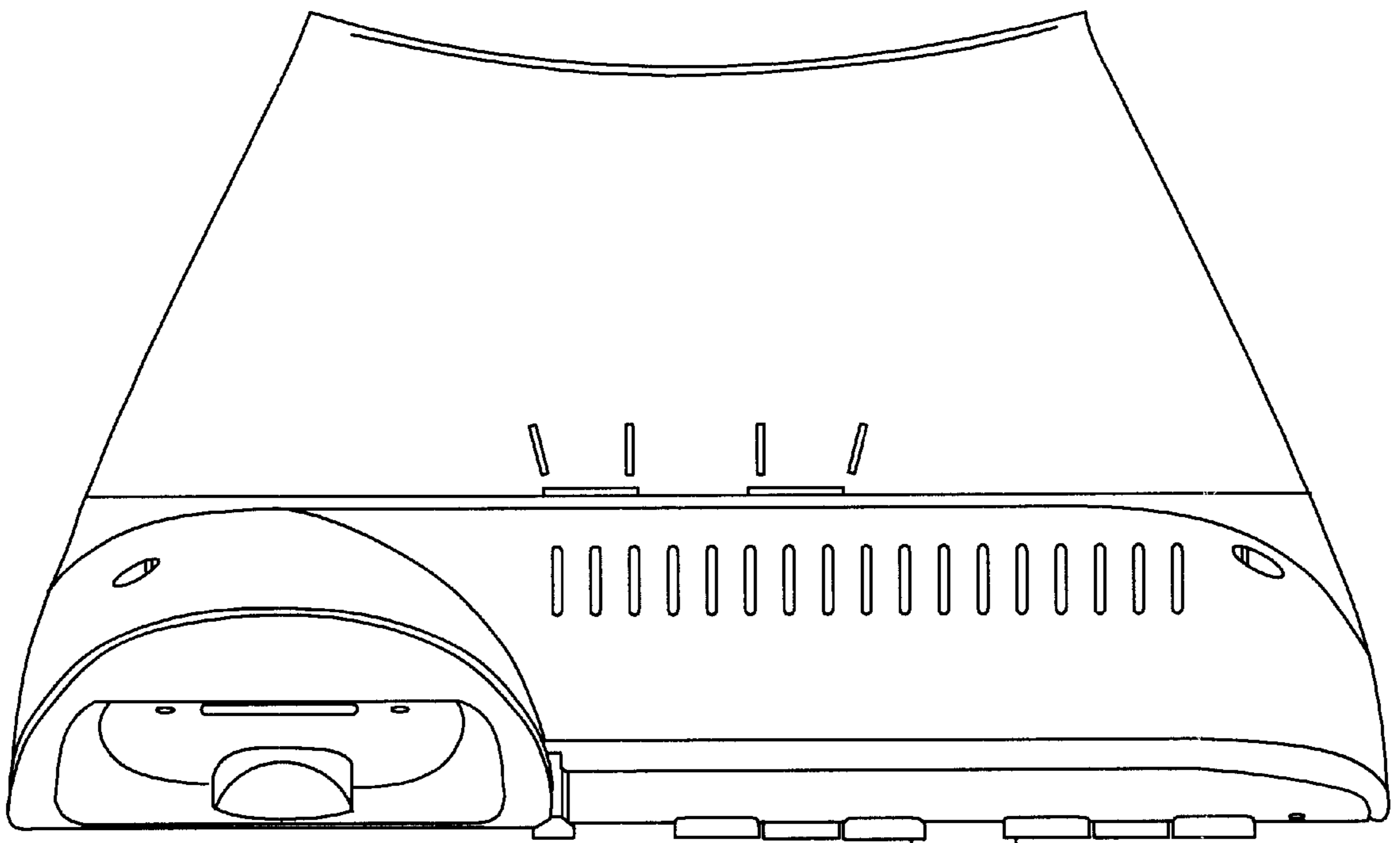


**FIG. 6**

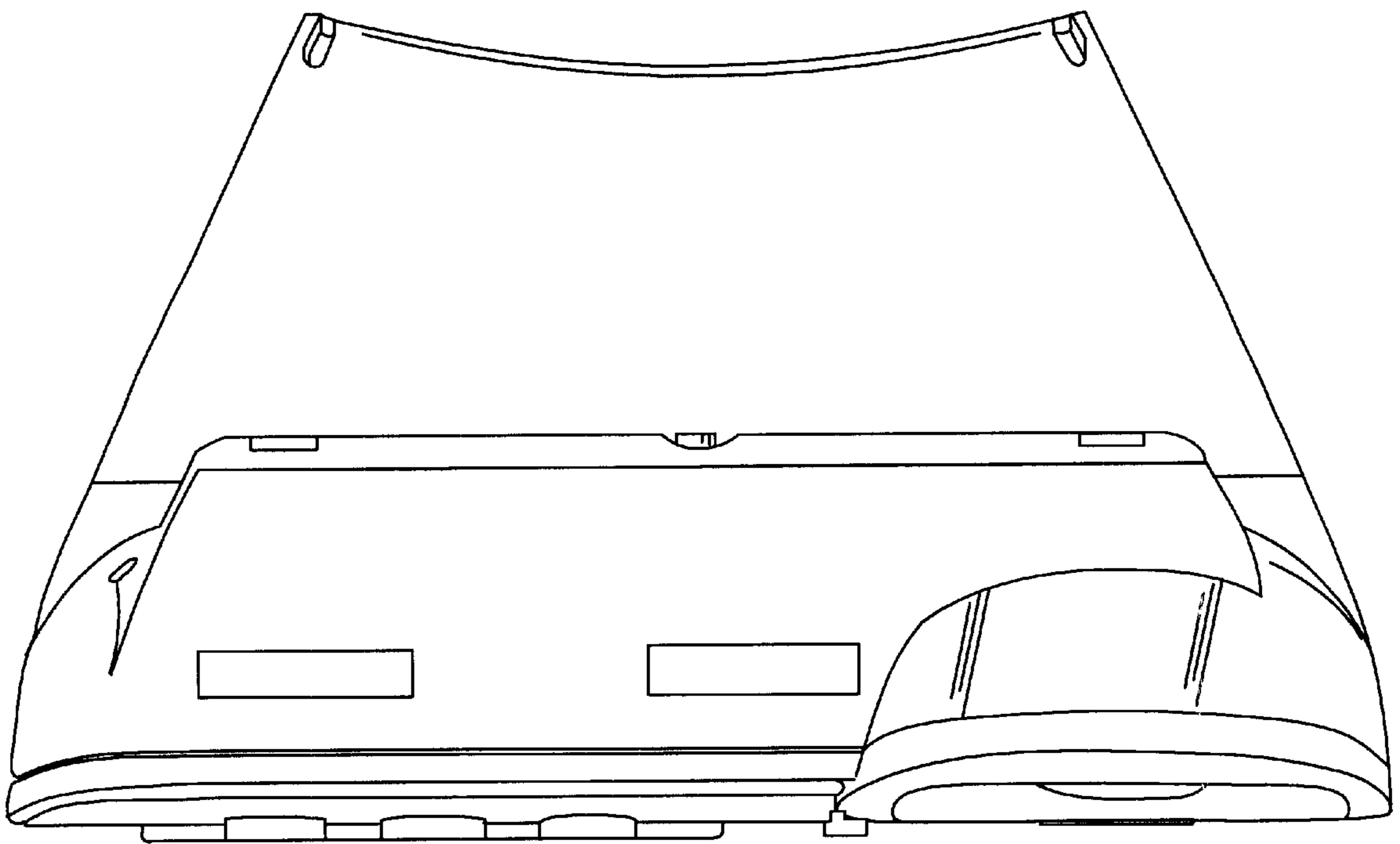




**FIG. 7**



**FIG. 8**



**FIG. 9**