



US00D47224S

(12) **United States Design Patent**  
**Sumii**

(10) **Patent No.:** **US D472,224 S**

(45) **Date of Patent:** **\*\* Mar. 25, 2003**

(54) **TELEVISION RECEIVER**

(75) Inventor: **Tetsu Sumii**, Tokyo (JP)

(73) Assignee: **Sony Corporation**, Tokyo (JP)

(\*\*) Term: **14 Years**

(21) Appl. No.: **29/161,121**

(22) Filed: **May 24, 2002**

(51) **LOC (7) Cl.** ..... **14-03**

(52) **U.S. Cl.** ..... **D14/126**

(58) **Field of Search** ..... D14/125-136,  
D14/239, 371, 374-382; 312/7.2; 348/836,  
838, 180, 184, 325, 739; 248/917-924;  
341/12; 345/104, 133, 156, 168, 87, 173

(56) **References Cited**

**U.S. PATENT DOCUMENTS**

D354,282 S	*	1/1995	Koo et al.	.....	D14/126
D356,557 S	*	3/1995	Takemasa et al.	.....	D14/374
D362,848 S	*	10/1995	Naito et al.	.....	D14/126
D400,524 S	*	11/1998	Takami et al.	.....	D14/126
D445,098 S		7/2001	Matsuoka et al.		
D455,129 S		4/2002	Niitsu		

**OTHER PUBLICATIONS**

Catalog "Sharp, Digital DOMANI, <http://www.sharp.co.jp/corporate/news/000630-2html>", 2 sheets, Sharp Corporation (Jun. 2000).

Catalog "Sony, Trinitron/Color Television/", p. 27, Sony Corporation (Feb. 2001).

Catalog "Toshiba, Digital FACE, <http://www.toshiba.co.jp/product/tv/digital.html>" 2 sheets, Toshiba Corporation (Feb. 2002).

\* cited by examiner

*Primary Examiner*—Raphael Barkai

(74) *Attorney, Agent, or Firm*—Rader, Fishman & Grauer PLLC

(57) **CLAIM**

The ornamental design for a television receiver, as shown.

**DESCRIPTION**

FIG. 1 is a perspective view of a television receiver showing my new design;

FIG. 2 is a front elevational view thereof;

FIG. 3 is a rear elevational view thereof;

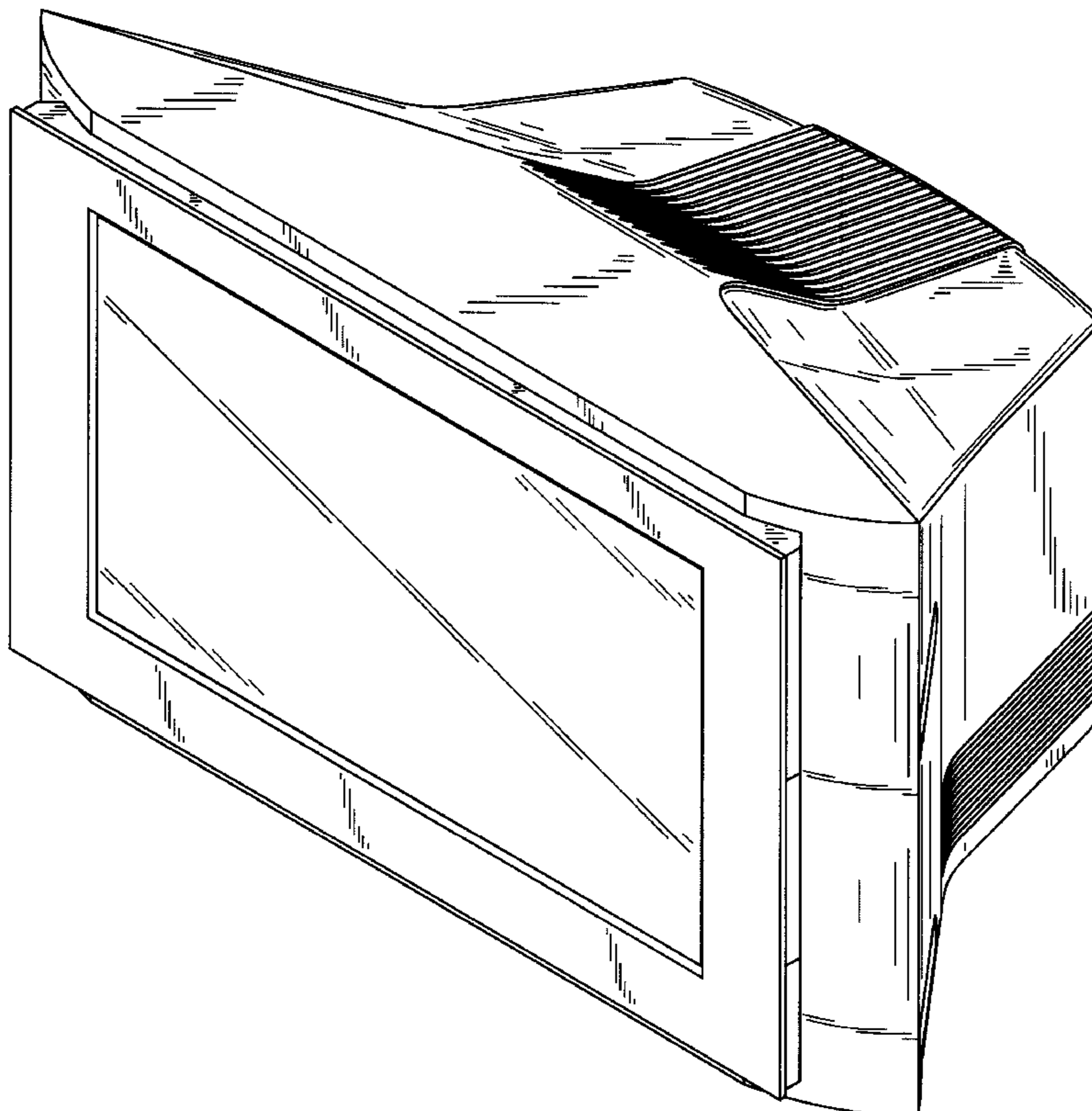
FIG. 4 is a left side elevational view thereof;

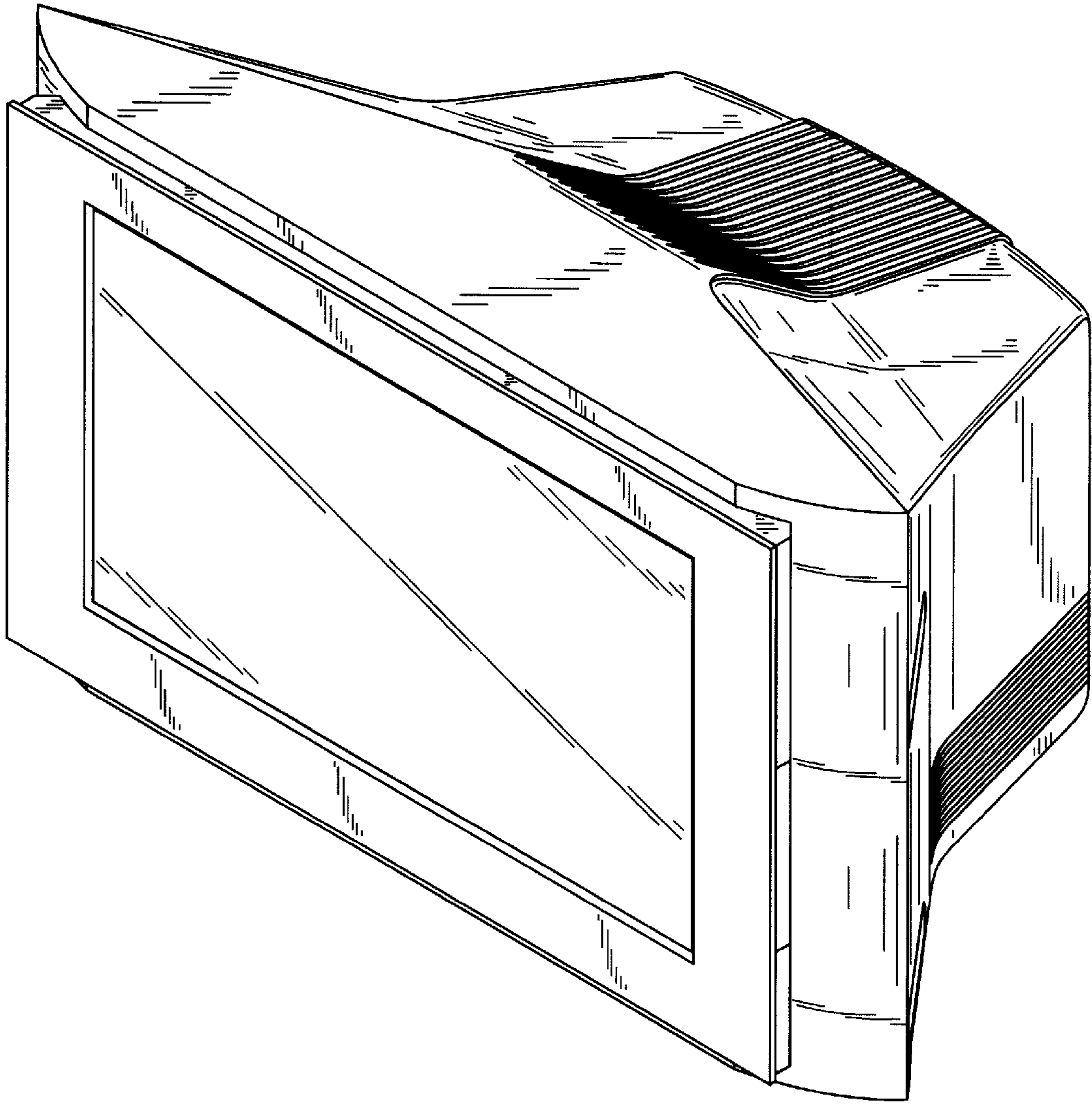
FIG. 5 is a right side elevational view thereof;

FIG. 6 is a top plan view thereof; and,

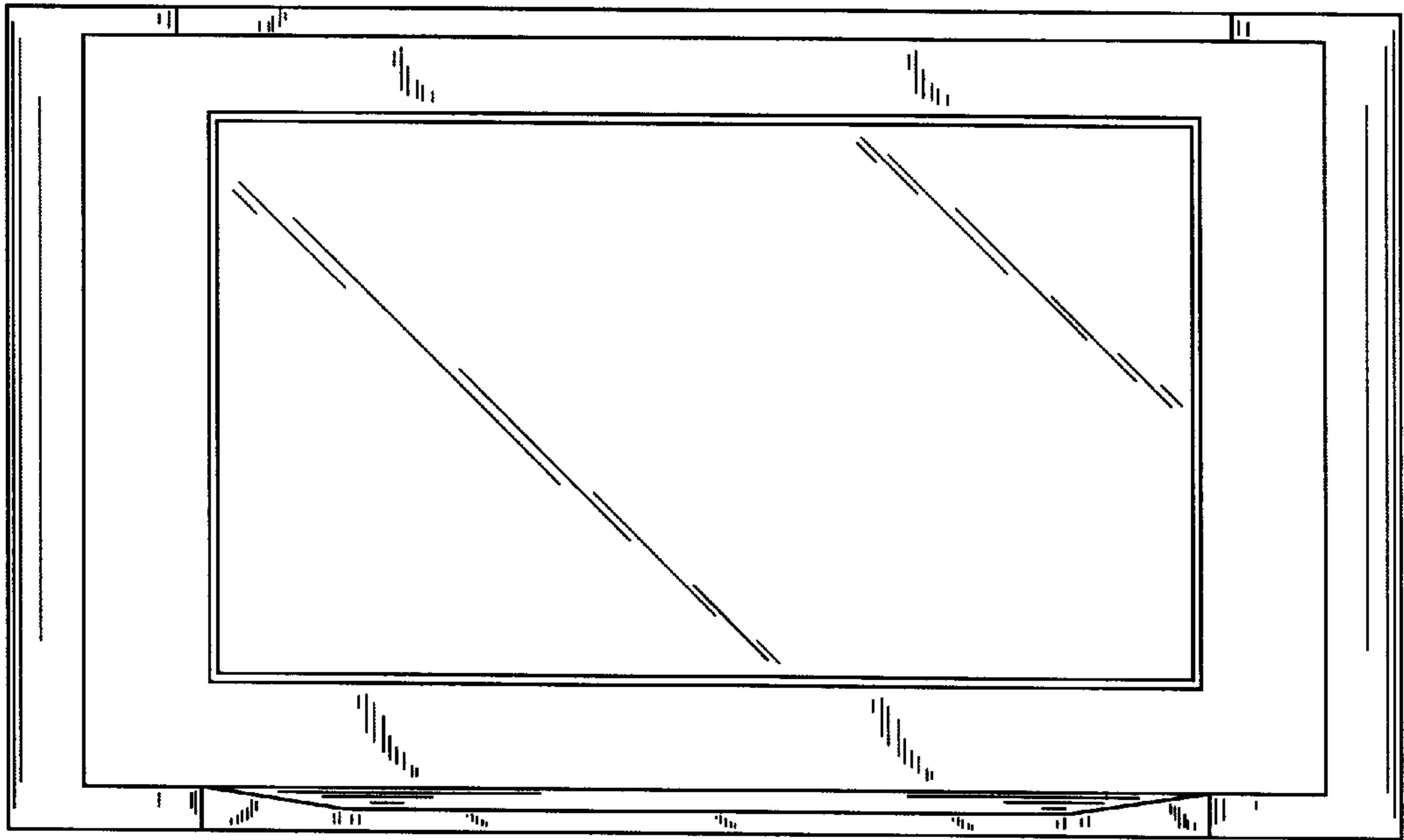
FIG. 7 is a bottom plan view thereof.

**1 Claim, 4 Drawing Sheets**

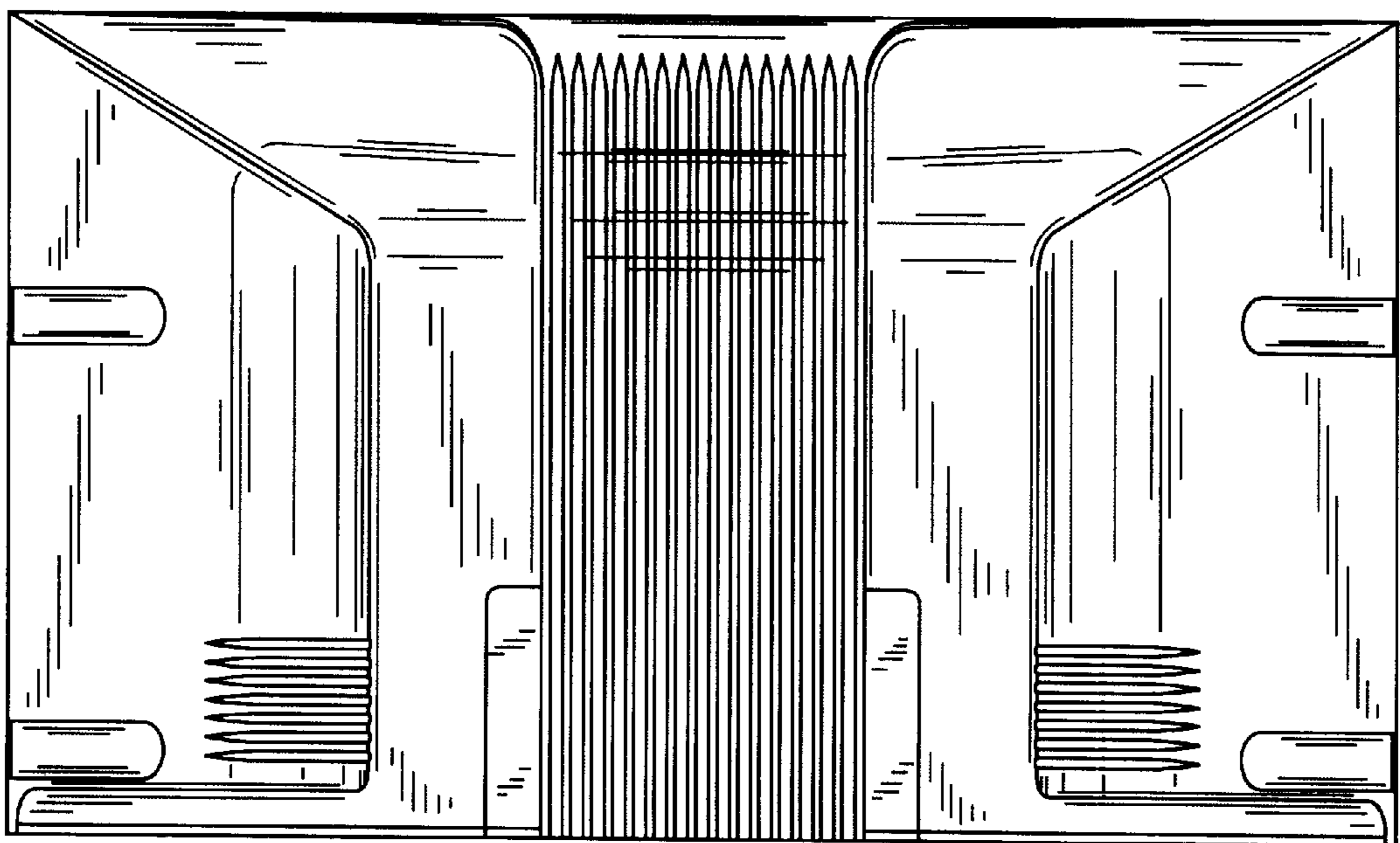




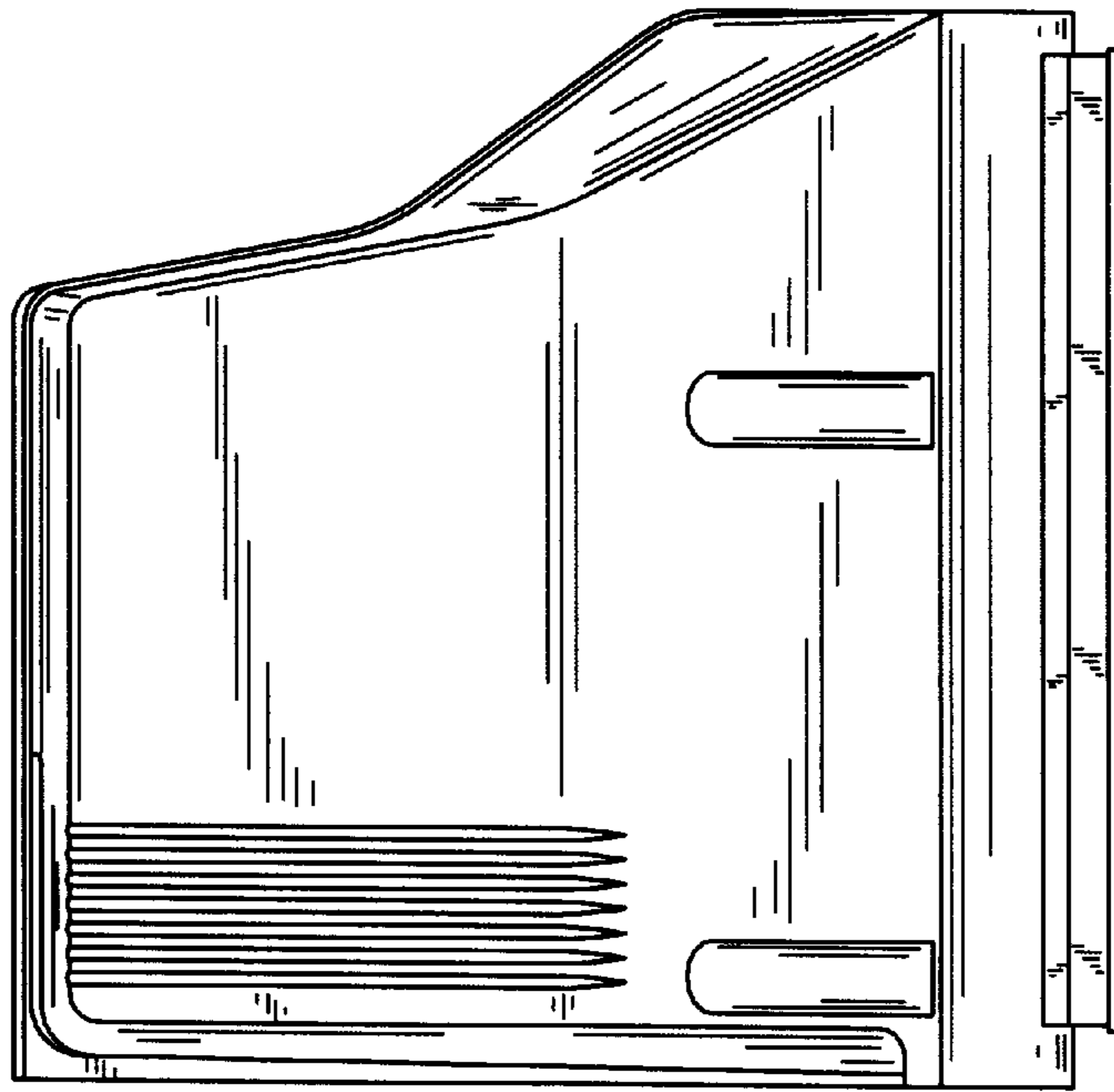
**Fig. 1**



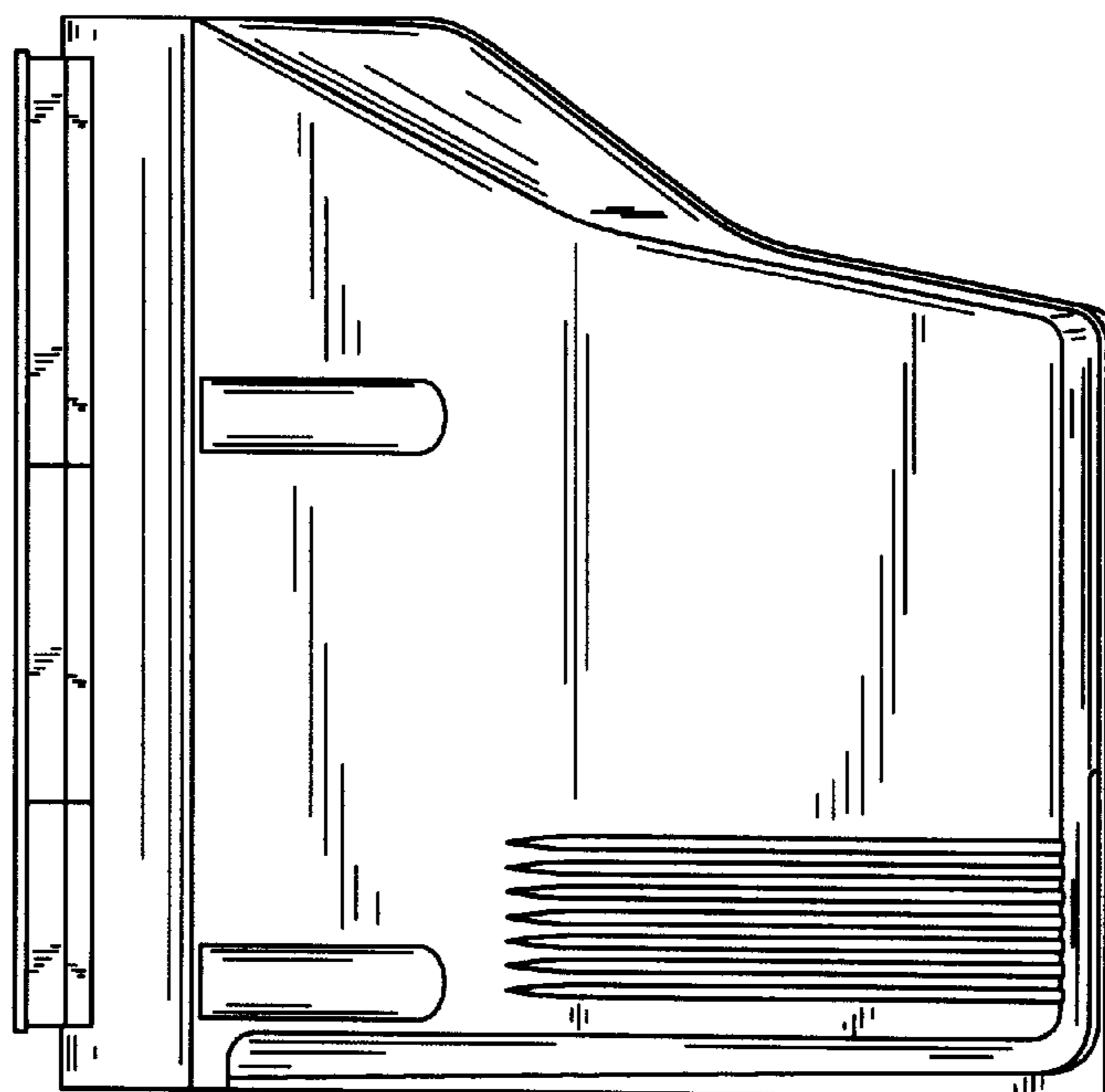
**Fig. 2**



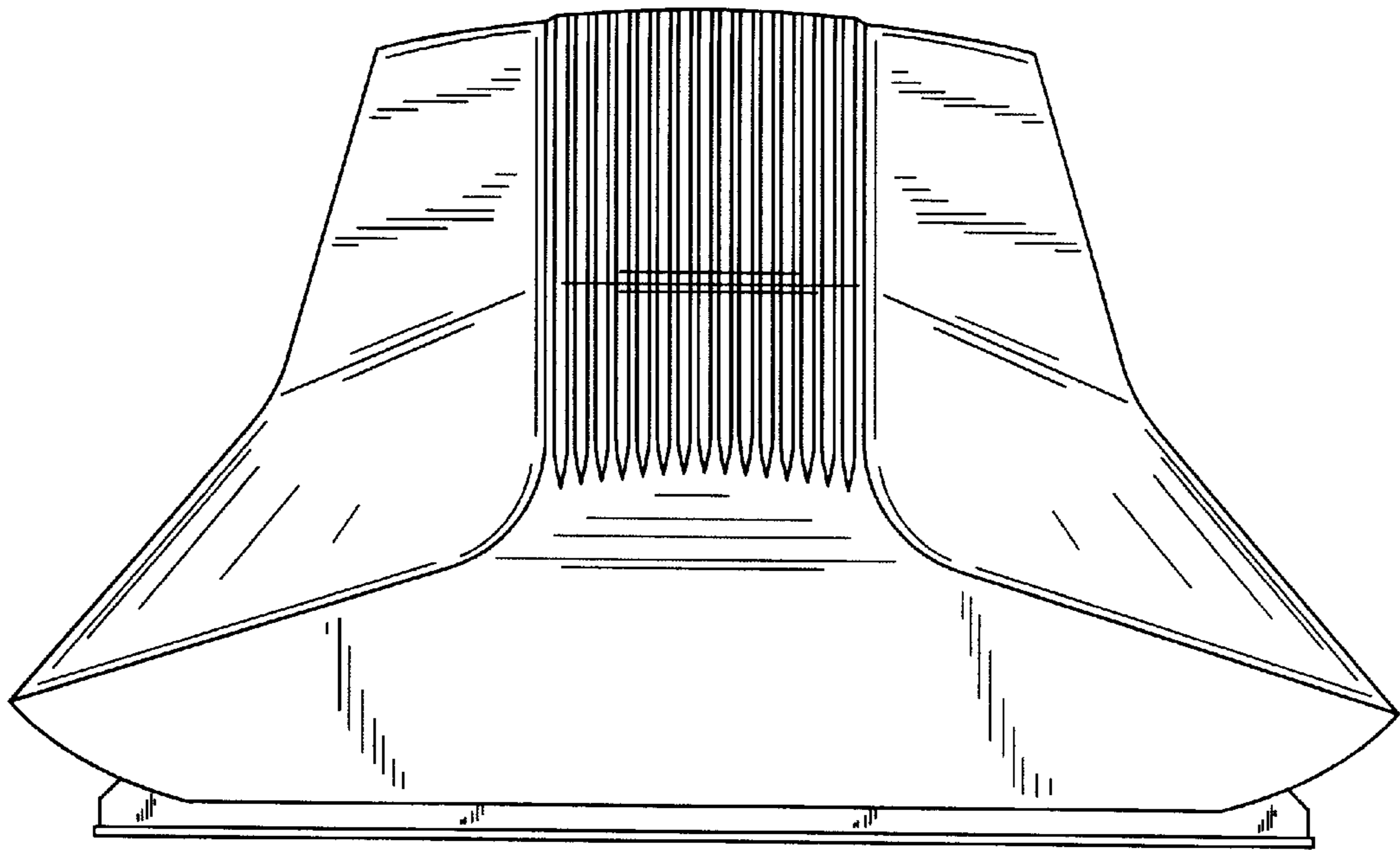
**Fig. 3**



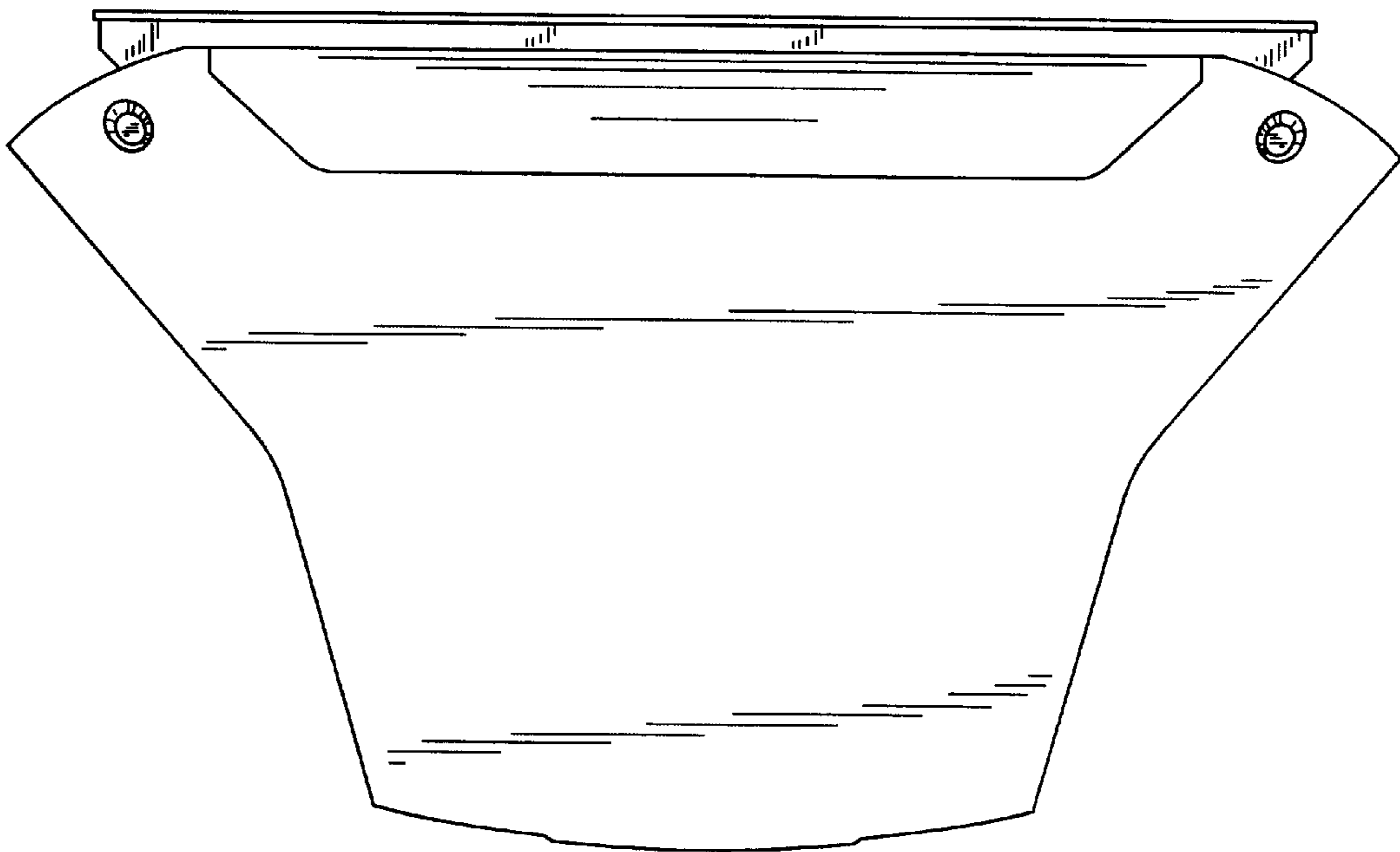
**Fig. 4**



**Fig. 5**



**Fig. 6**



**Fig. 7**