



US00D47222S

(12) **United States Design Patent**
Brown et al.

(10) **Patent No.:** **US D472,222 S**

(45) **Date of Patent:** **** Mar. 25, 2003**

(54) **SOLAR SHIELD**

(75) Inventors: **Stephen Robert Brown**, Derry, NH
(US); **Glen Brian Rochford**, Pelham,
NH (US)

(73) Assignee: **Tyco Electronics Corp.**, Middletown,
PA (US)

(**) Term: **14 Years**

(21) Appl. No.: **29/151,377**

(22) Filed: **Nov. 5, 2001**

Related U.S. Application Data

(63) Continuation-in-part of application No. 09/956,675, filed on
Sep. 20, 2001, now Pat. No. 6,469,911.

(51) **LOC (7) Cl.** **13-03**

(52) **U.S. Cl.** **D13/199**

(58) **Field of Search** D13/199; 174/35 R;
250/515.1; 343/841; 361/800, 816, 818;
379/338

(56) **References Cited**

U.S. PATENT DOCUMENTS

4,554,616 A * 11/1985 McIntosh 361/816

5,896,275 A * 4/1999 Gaeta et al. 361/760

6,054,648 A * 4/2000 Hikita et al. 174/35 R

6,243,274 B1 * 6/2001 Willis 361/816

6,274,808 B1 * 8/2001 Cercioğlu et al. 174/35 GC

6,407,932 B1 * 6/2002 Gaio et al. 361/818

* cited by examiner

Primary Examiner—Ted Shooman

Assistant Examiner—Selina Sikder

(57) **CLAIM**

The ornamental design for a solar shield, as shown and
described.

DESCRIPTION

FIG. 1 is a perspective view of my design for a solar shield;

FIG. 2 is a front view of my design for a solar shield;

FIG. 3 is a rear view of my design for a solar shield;

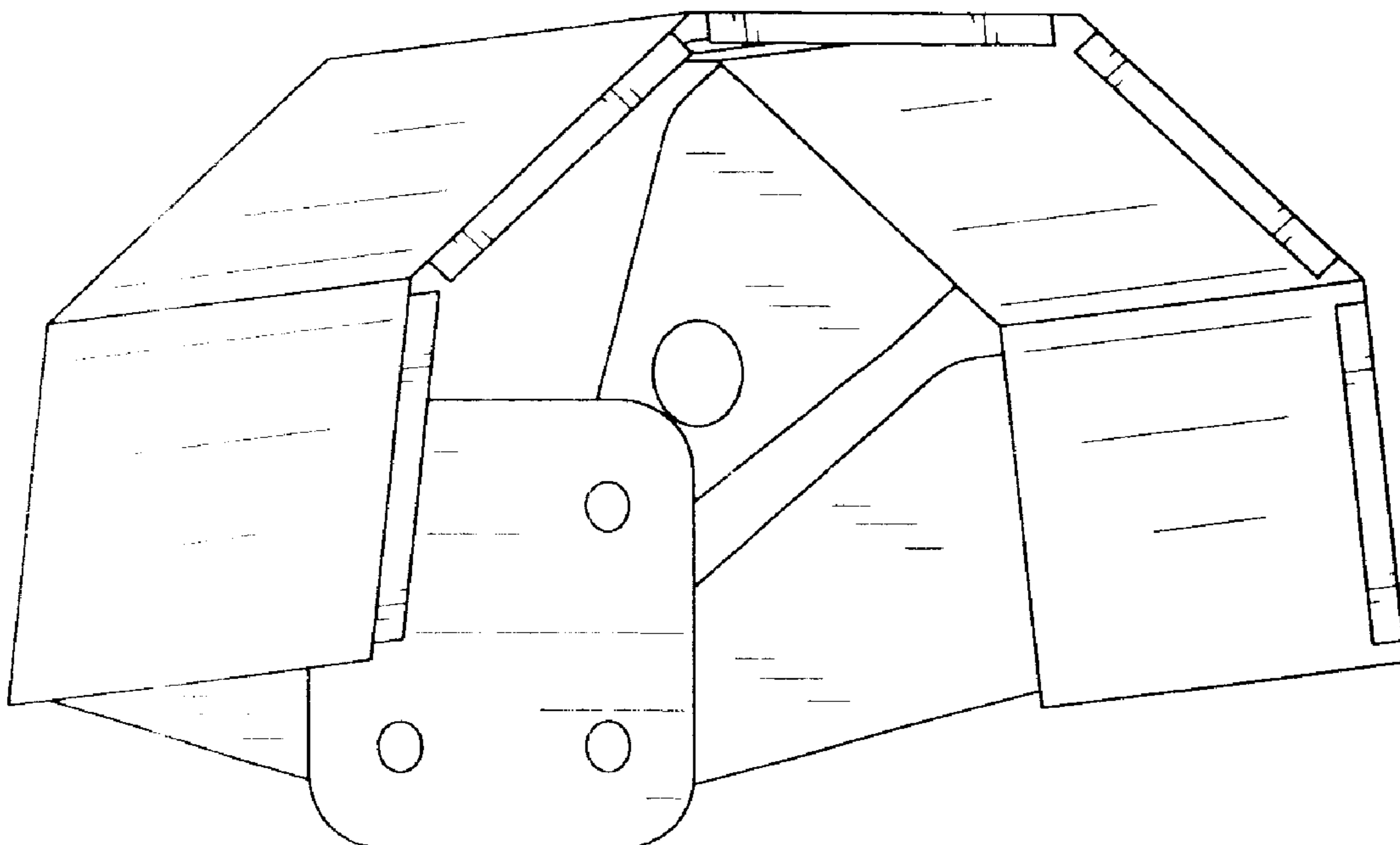
FIG. 4 is a top view of my design for a solar shield;

FIG. 5 is a bottom view of my design for a solar shield;

FIG. 6 is a right side view of the panels of my design for a
solar shield; and,

FIG. 7 is a left side view of the panels of my design for a
solar shield.

1 Claim, 1 Drawing Sheet



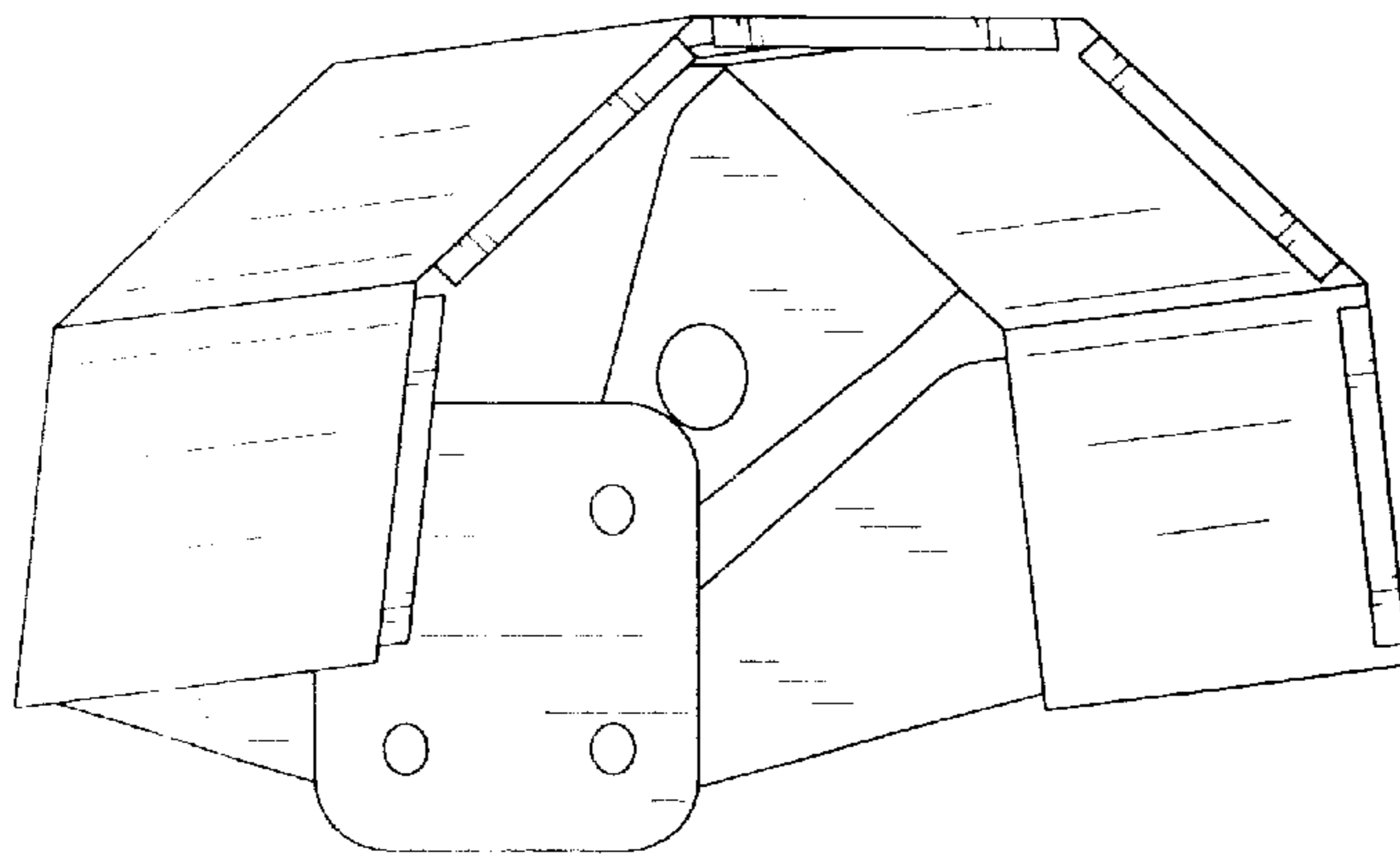


FIG. 1

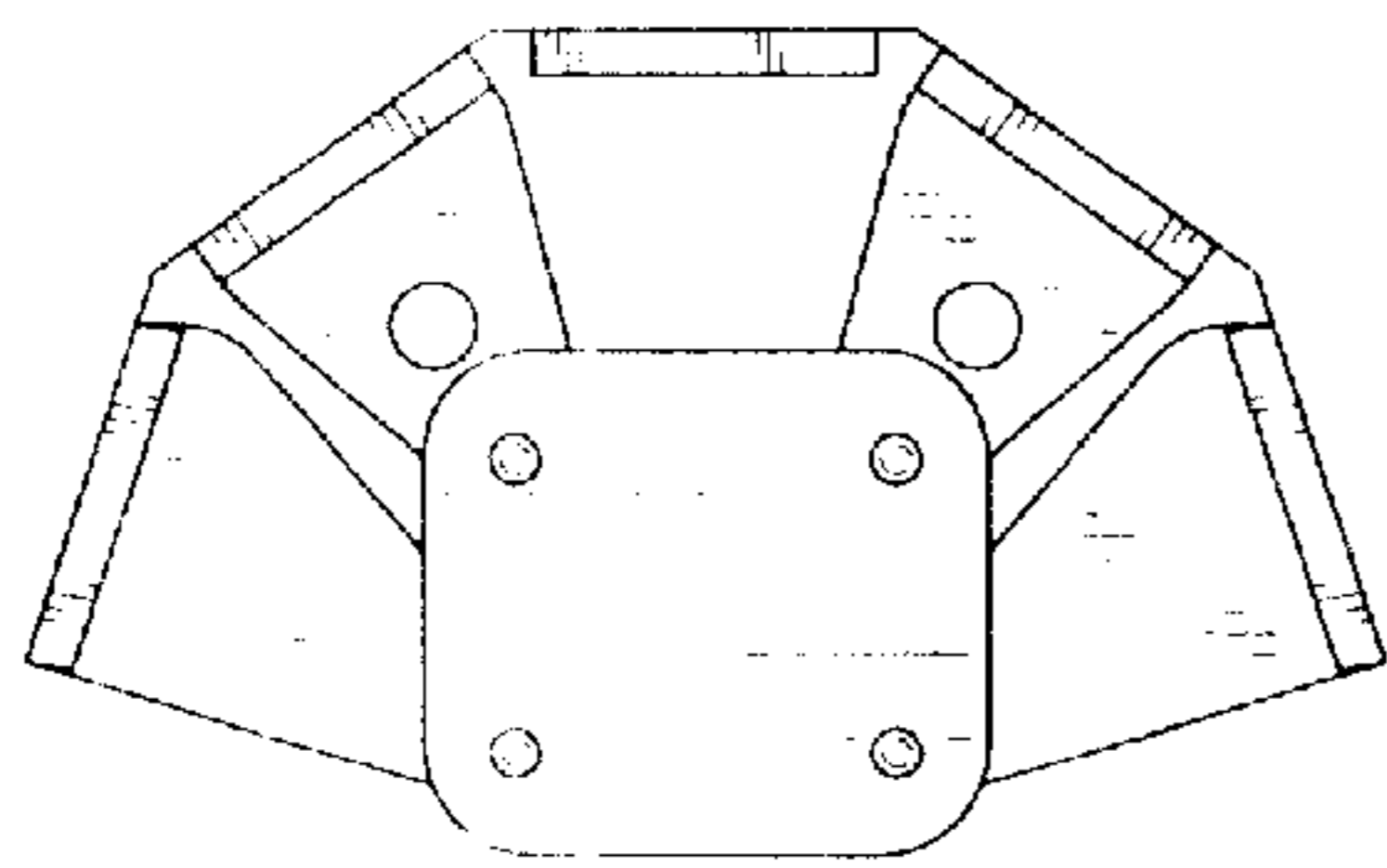


FIG. 2

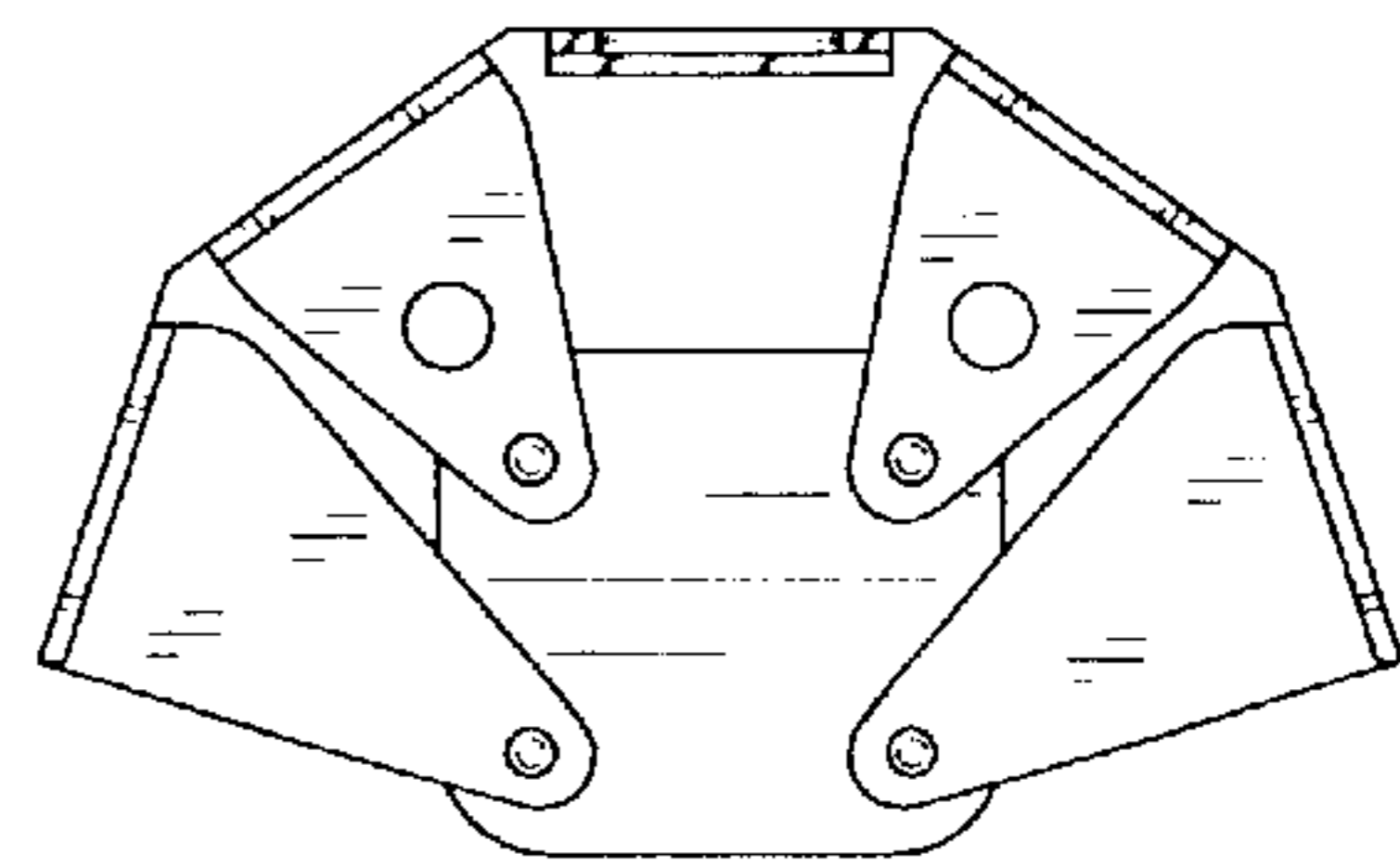


FIG. 3

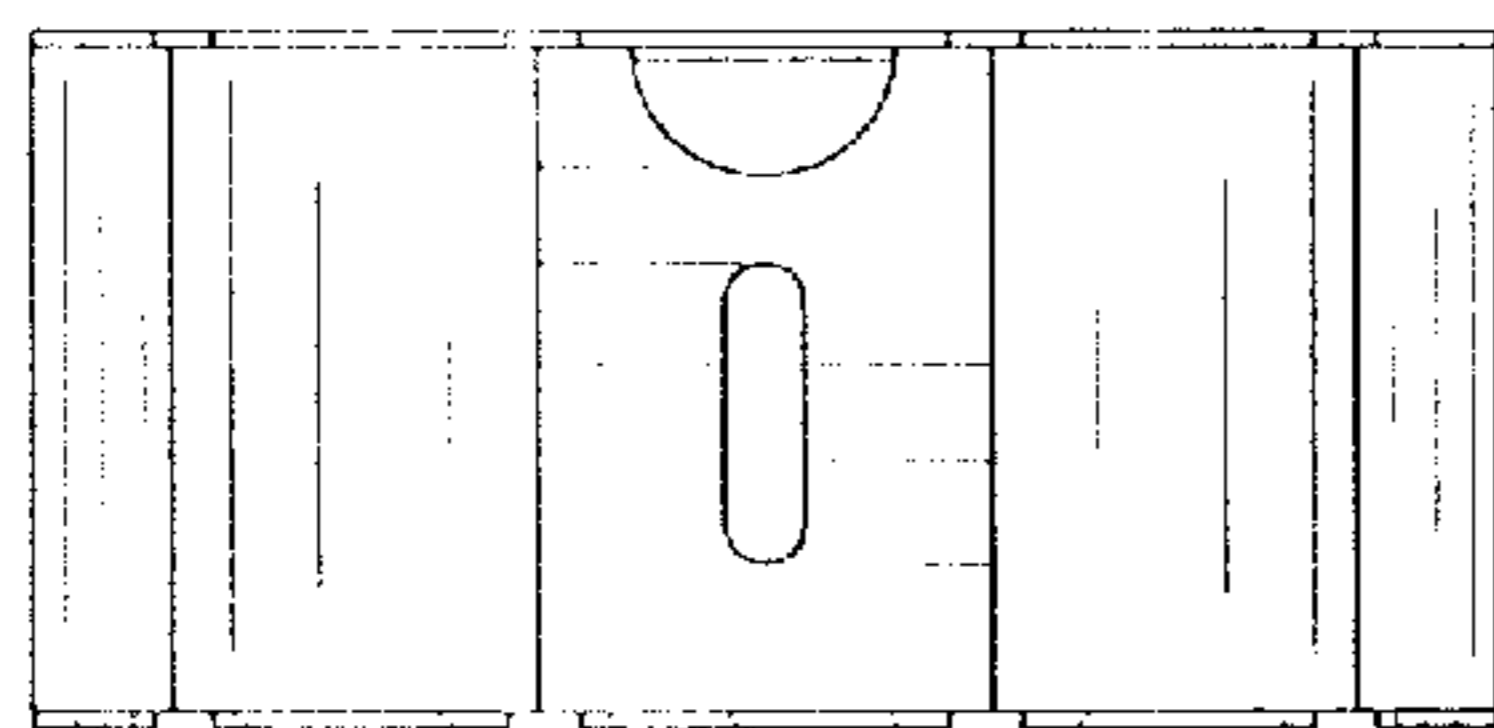


FIG. 4

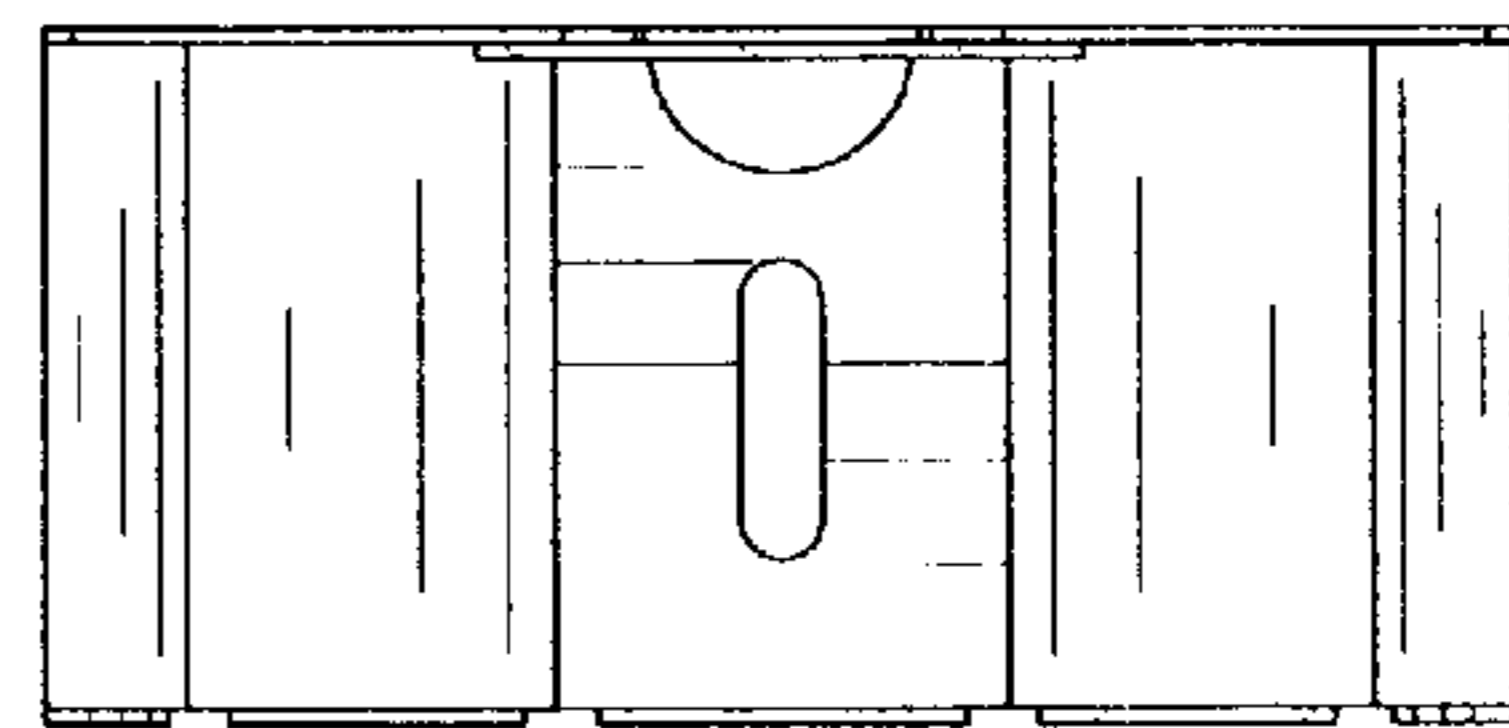


FIG. 5

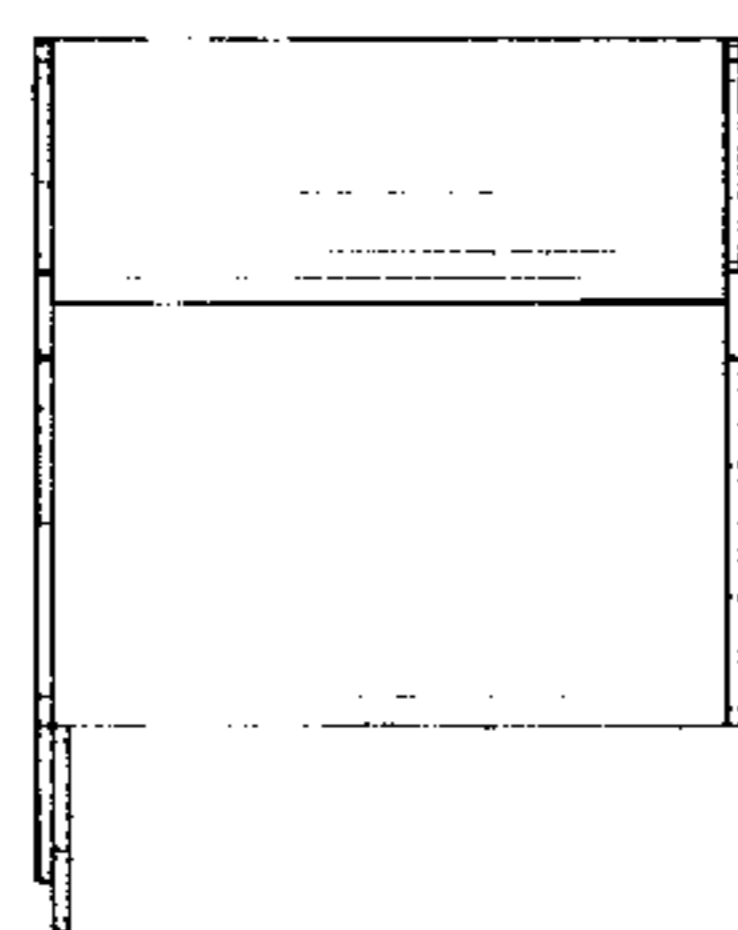


FIG. 6

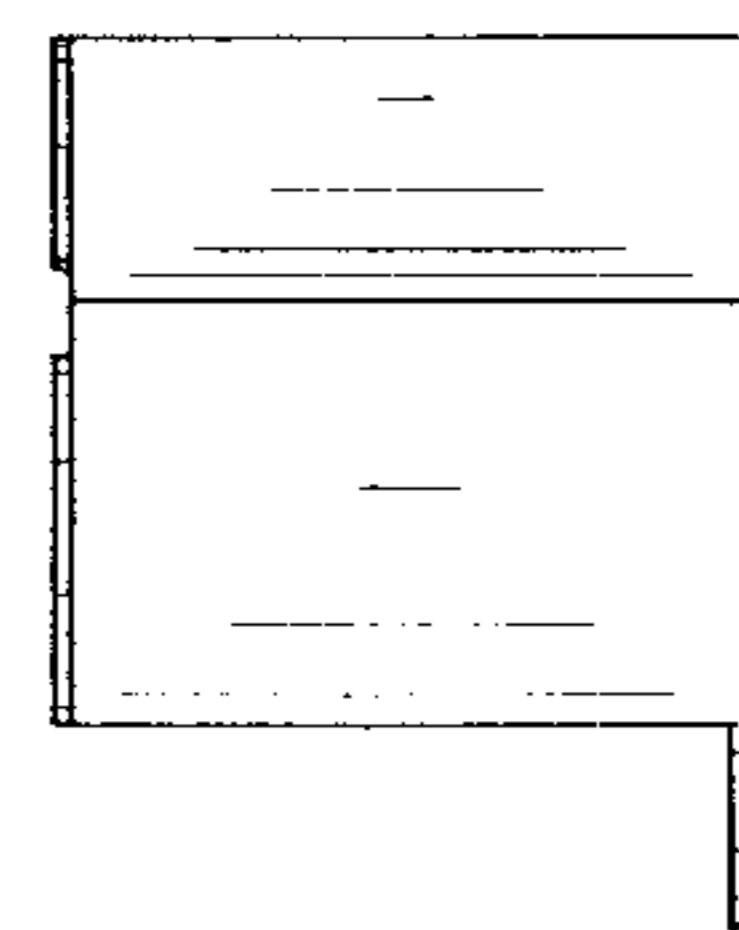


FIG. 7