



US00D47220S

(12) **United States Design Patent**  
**Mellgren**

(10) **Patent No.:** **US D472,220 S**

(45) **Date of Patent:** **\*\* Mar. 25, 2003**

(54) **MARKING SLEEVE FOR ELECTRICAL WIRES**

3,534,777 A \* 10/1970 Loof ..... 174/112  
4,649,658 A \* 3/1987 Sarton et al. .... 40/316  
D313,010 S \* 12/1990 Skarin ..... D13/157  
6,237,263 B1 \* 5/2001 Hagstrom et al. .... 40/316

(75) **Inventor:** **Gunnar Mellgren, Gullspång (SE)**

\* cited by examiner

(73) **Assignee:** **Partex Marking Systems AB, Gullspang (SE)**

*Primary Examiner*—Jennifer Rivard  
(74) *Attorney, Agent, or Firm*—Sughrue Mion, PLLC

(\*\*) **Term:** **14 Years**

(21) **Appl. No.:** **29/164,200**

(22) **Filed:** **Jul. 22, 2002**

(57) **CLAIM**

The ornamental design for a marking sleeve for electrical wires, as shown and described.

**Related U.S. Application Data**

(62) Division of application No. 29/136,842, filed on Feb. 8, 2001.

**DESCRIPTION**

(30) **Foreign Application Priority Data**

Aug. 8, 2000 (SE) ..... 00-1400  
Aug. 8, 2000 (SE) ..... 00-1401

FIG. 1 is a perspective view of the top, one end and one side of a marking sleeve for electrical wires;

FIG. 2 is an end elevational view of said one end thereof, the opposite end view being identical;

(51) **LOC (7) Cl.** ..... **13-03**

(52) **U.S. Cl.** ..... **D13/157**

(58) **Field of Search** ..... D13/153, 154, D13/155, 157; 174/70 R, 112, 135; 40/316

FIG. 3 is a side elevational view of said one side thereof, the opposite side view being identical;

FIG. 4 is a bottom plan view thereof; and,

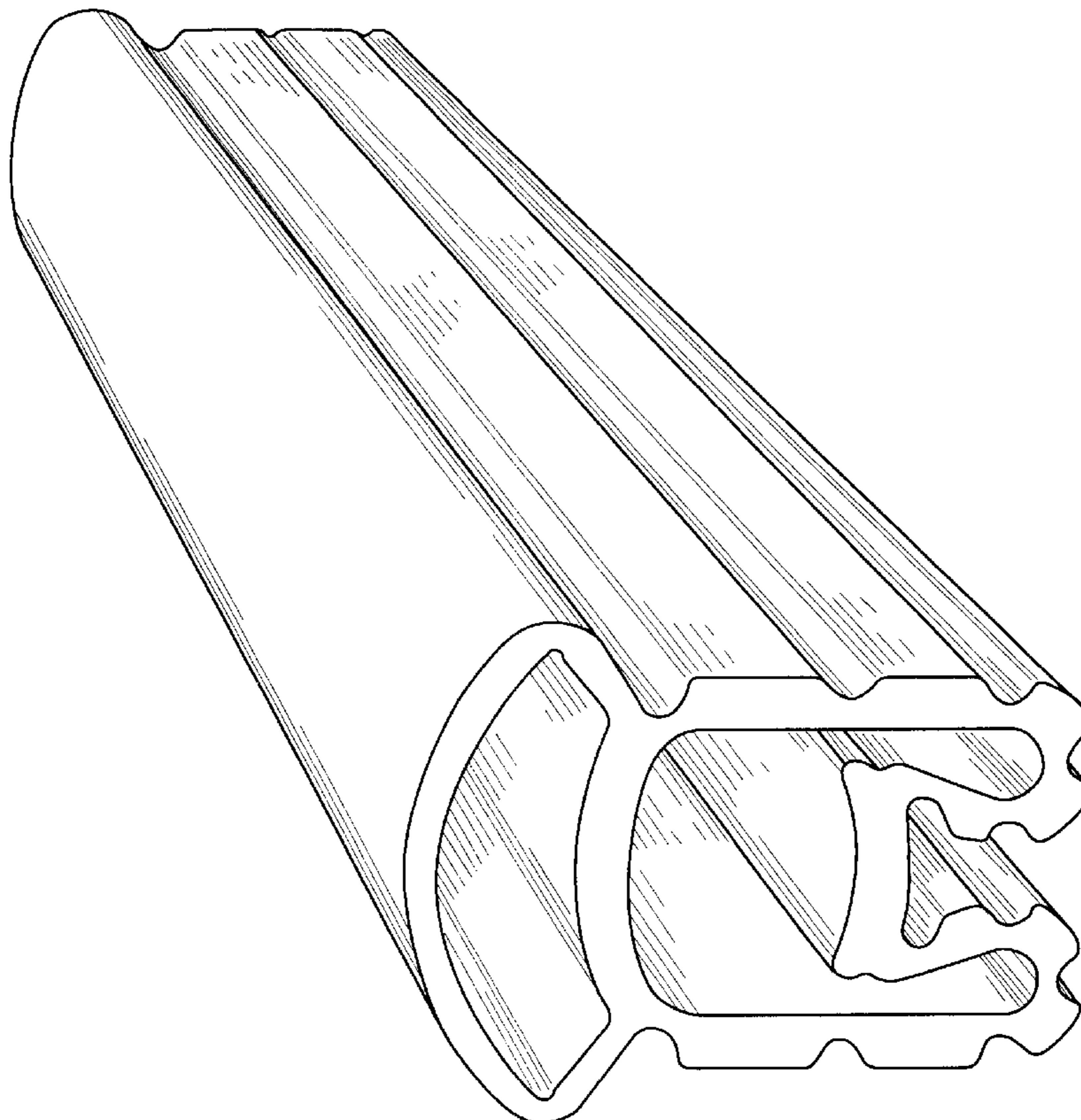
FIG. 5 is a top plan view thereof.

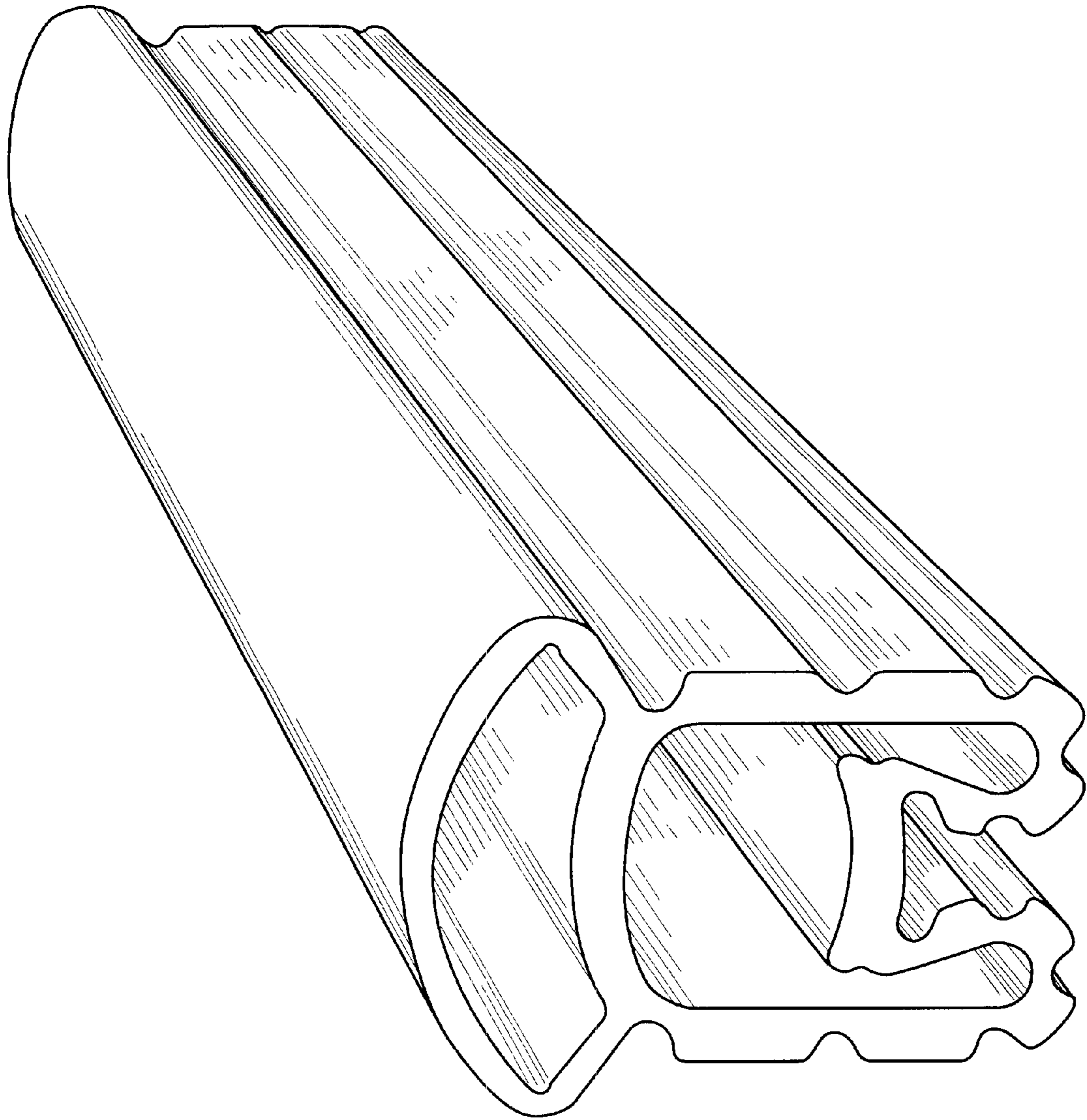
(56) **References Cited**

**U.S. PATENT DOCUMENTS**

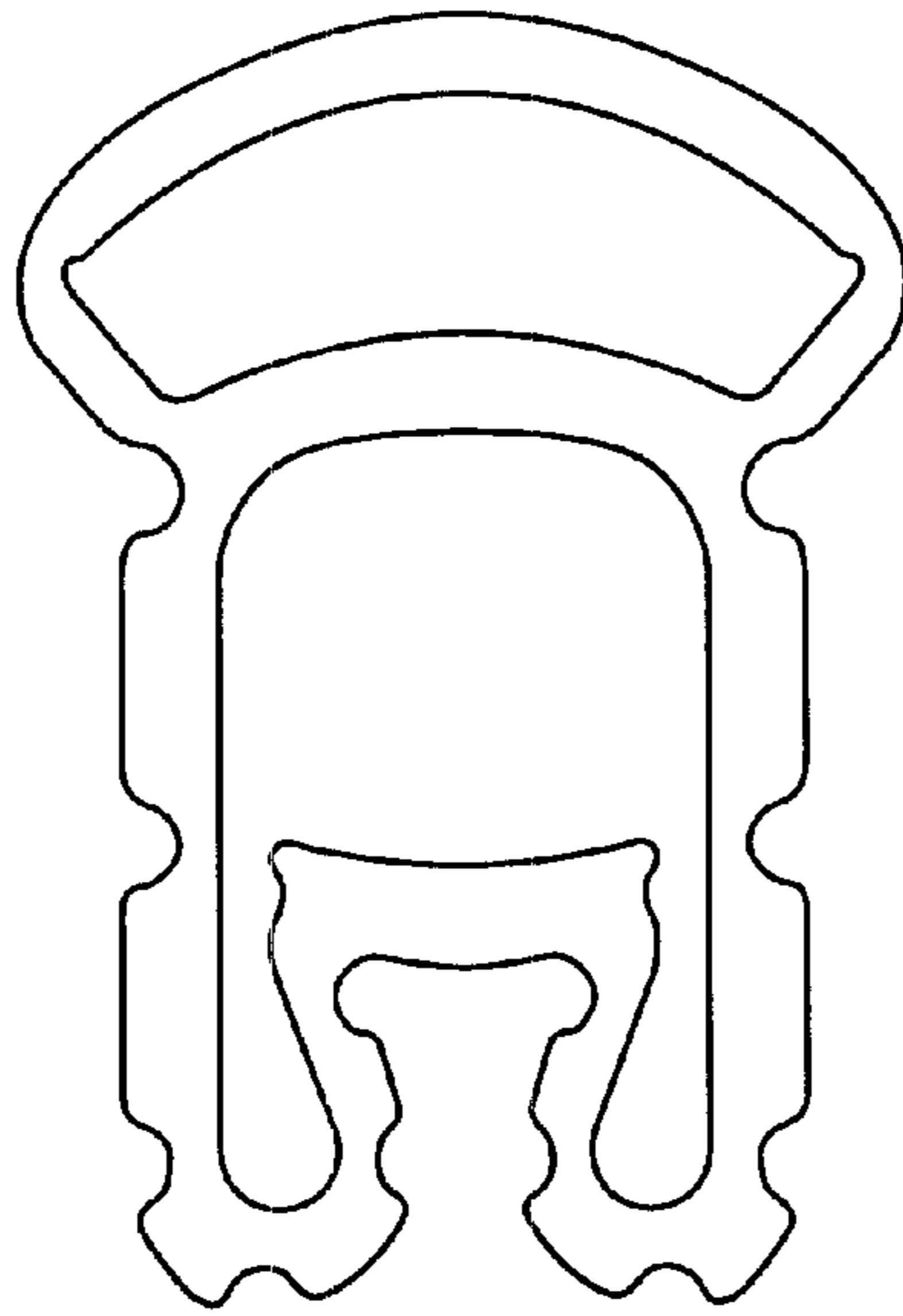
3,487,574 A \* 1/1970 Loof ..... 174/112

**1 Claim, 3 Drawing Sheets**

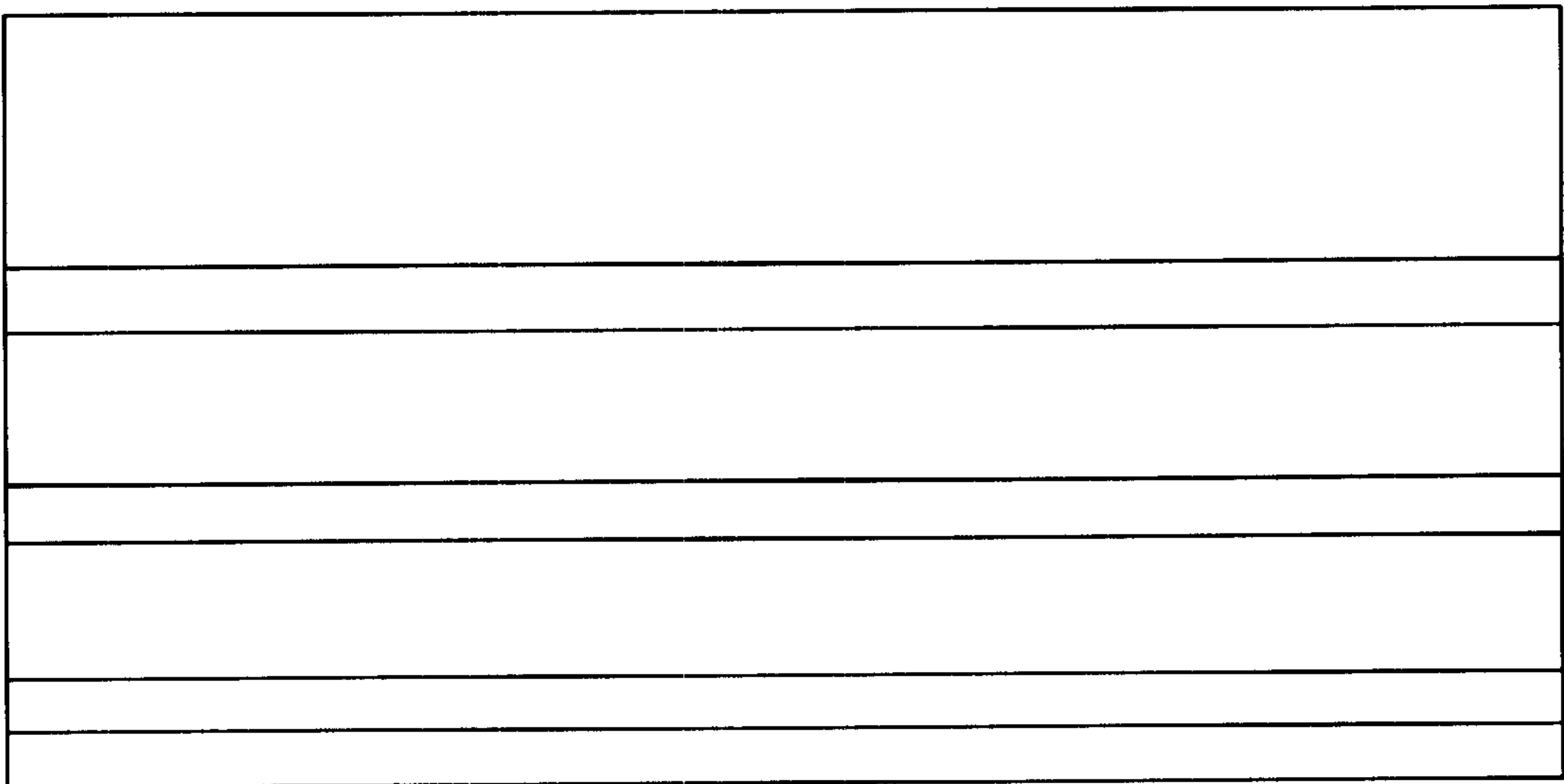




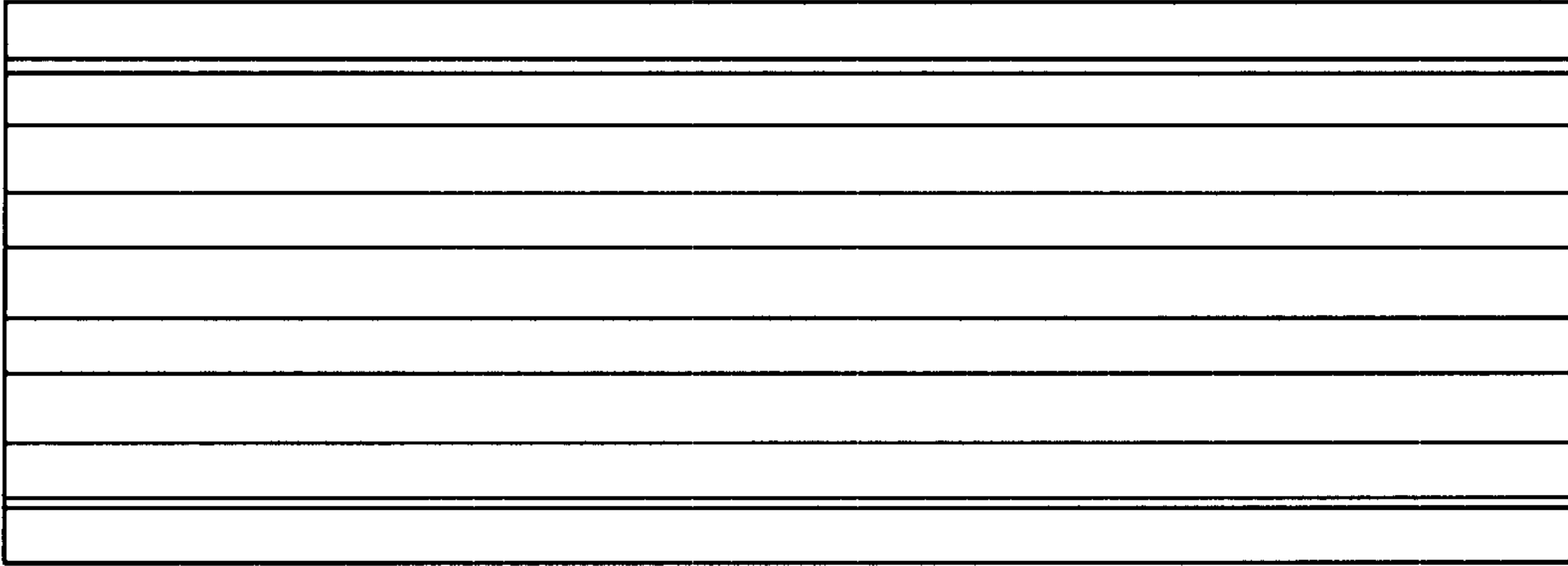
*Fig. 1*



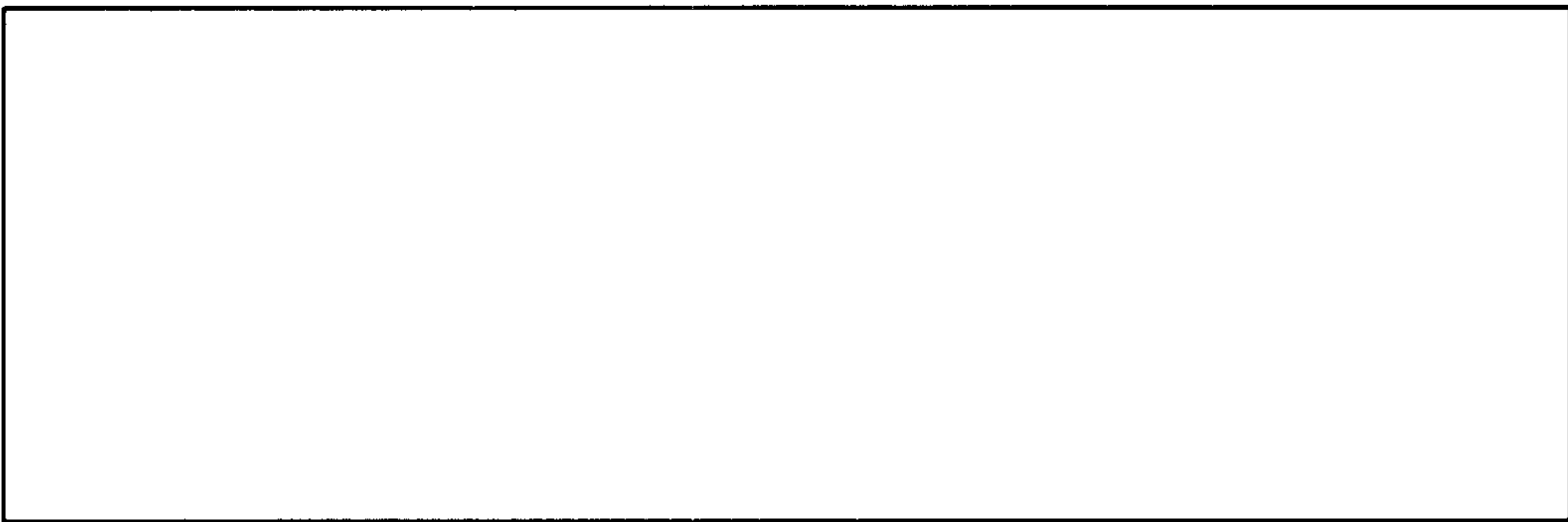
*Fig. 2*



*Fig. 3*



*Fig. 4*



*Fig. 5*