



US00D472219S

(12) **United States Design Patent**
Miura

(10) **Patent No.:** **US D472,219 S**

(45) **Date of Patent:** **** Mar. 25, 2003**

(54) **CONNECTOR FOR FLEXIBLE CIRCUIT BOARDS**

(75) Inventor: **Kazuto Miura**, Kawasaki (JP)

(73) Assignee: **J.S.T. MFG. Co., Ltd.**, Osaka (JP)

(**) Term: **14 Years**

(21) Appl. No.: **29/155,052**

(22) Filed: **Feb. 5, 2002**

(30) **Foreign Application Priority Data**

Aug. 23, 2001 (JP) 2001-024671

(51) **LOC (7) Cl.** **13-03**

(52) **U.S. Cl.** **D13/147**

(58) **Field of Search** D13/147; 439/260,
439/325, 329, 492, 495, 607

(56) **References Cited**

U.S. PATENT DOCUMENTS

6,015,310	A	*	1/2000	Tojo	439/260
6,099,346	A	*	8/2000	Hashiguchi et al.	439/495
6,146,171	A	*	11/2000	Kunishi et al.	439/260
6,283,779	B1	*	9/2001	Lung	439/260
6,293,818	B1	*	9/2001	Kim et al.	439/495
6,338,648	B1	*	1/2002	Miura et al.	439/495

* cited by examiner

Primary Examiner—Joel Sincavage
(74) *Attorney, Agent, or Firm*—Antonelli, Terry, Stout & Kraus, LLP

(57) **CLAIM**

The ornamental design for a connector for flexible circuit boards, as shown and described.

DESCRIPTION

FIG. 1 is a top plan view;
 FIG. 2 is a front elevation;
 FIG. 3 is a bottom plan view;
 FIG. 4 is a rear elevation; and
 FIG. 5 is a right-side elevation;
 FIG. 6 is a first auxiliary figure of the connector shown in use; and,
 FIG. 7 is a second auxiliary figure of the connector shown in use, in which the subject article having a row of terminals is secured to a side edge of a flexible circuit board.
 The broken lines showing the flexible circuit board in FIGS. 6 and 7 are included for the purpose of illustrating environmental structure only and form no part of the claimed design.
 A left-side elevation appearing symmetrical with the right-side elevation is excluded from the drawings.
 The connector for electrically connecting a flexible circuit board to wire ends not shown does have a tiltable pressing cover.

1 Claim, 2 Drawing Sheets

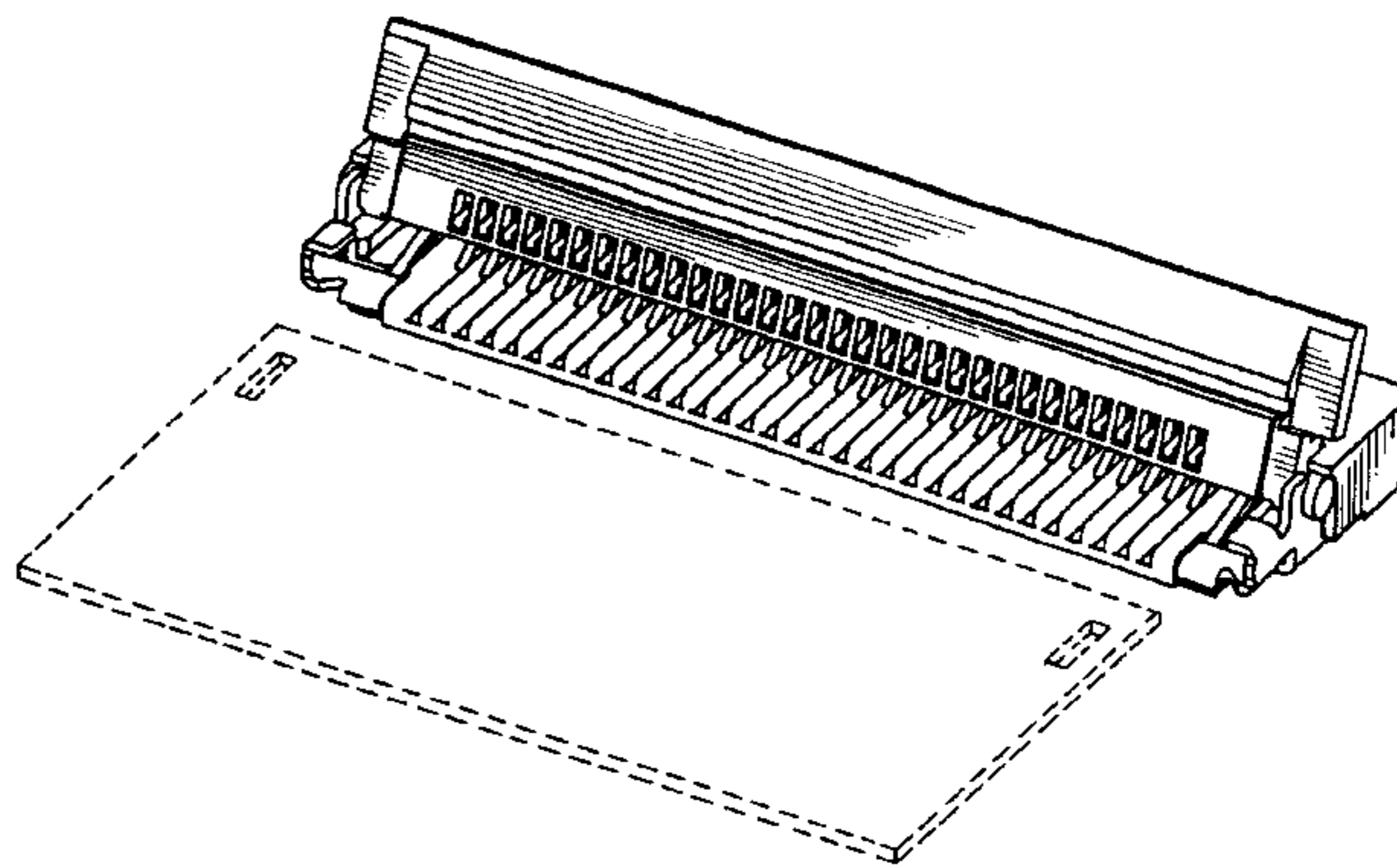
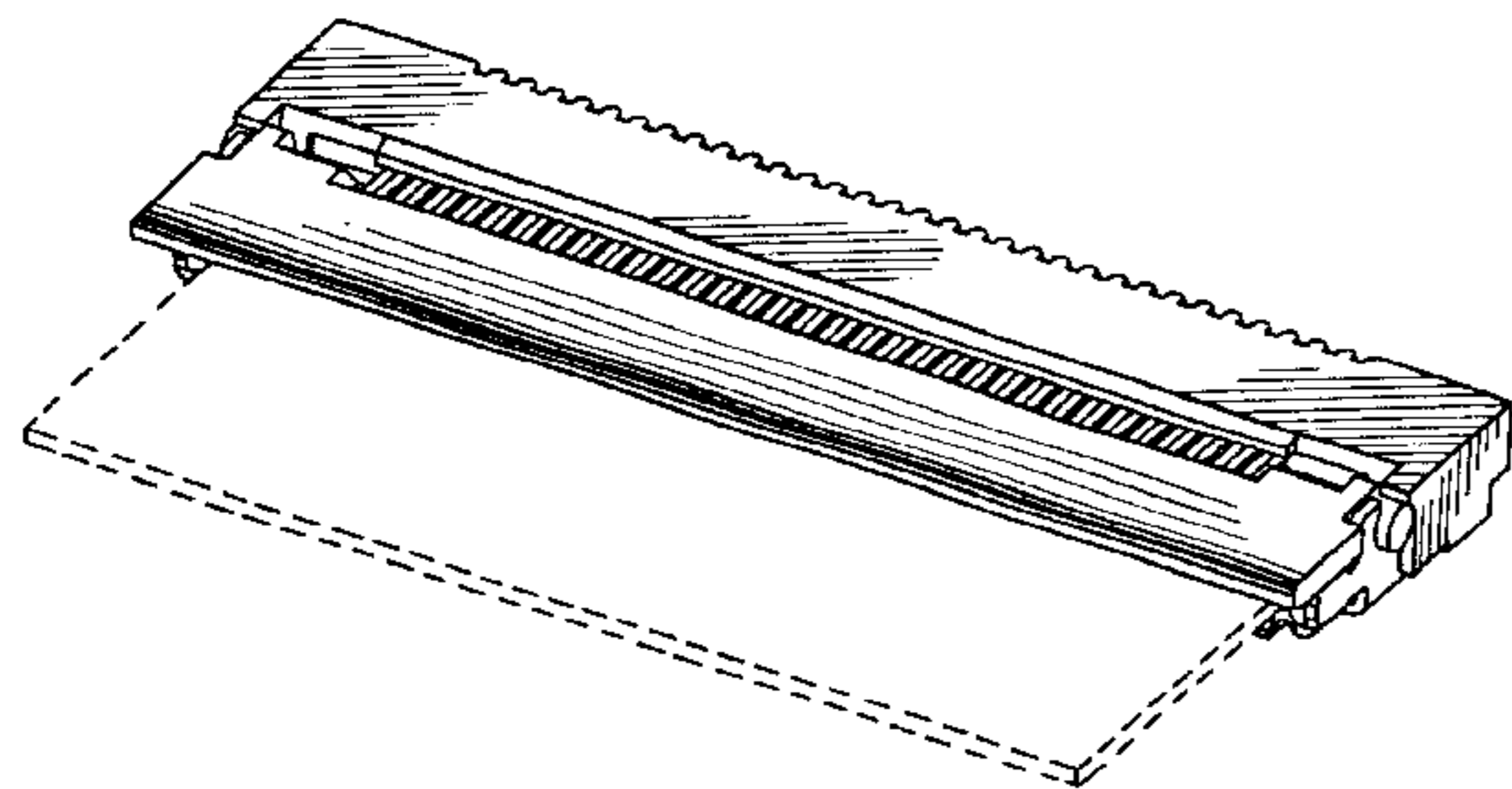


Fig. 1

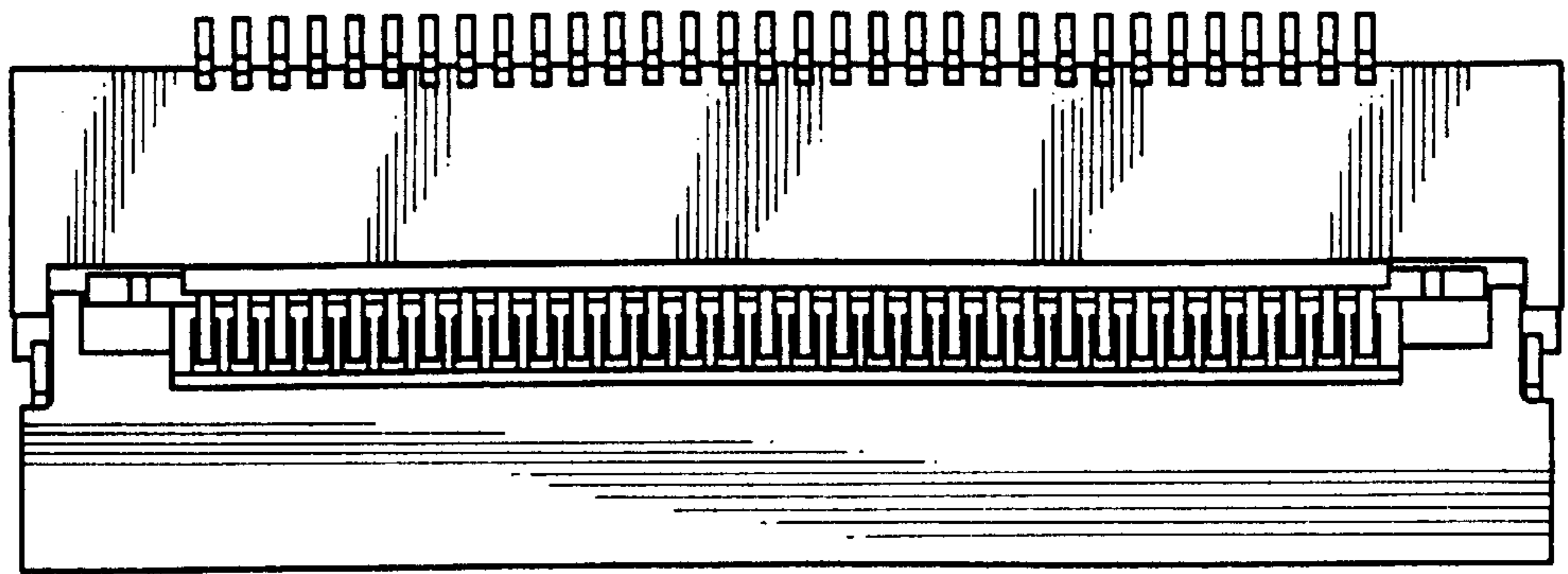


Fig. 2



Fig. 3

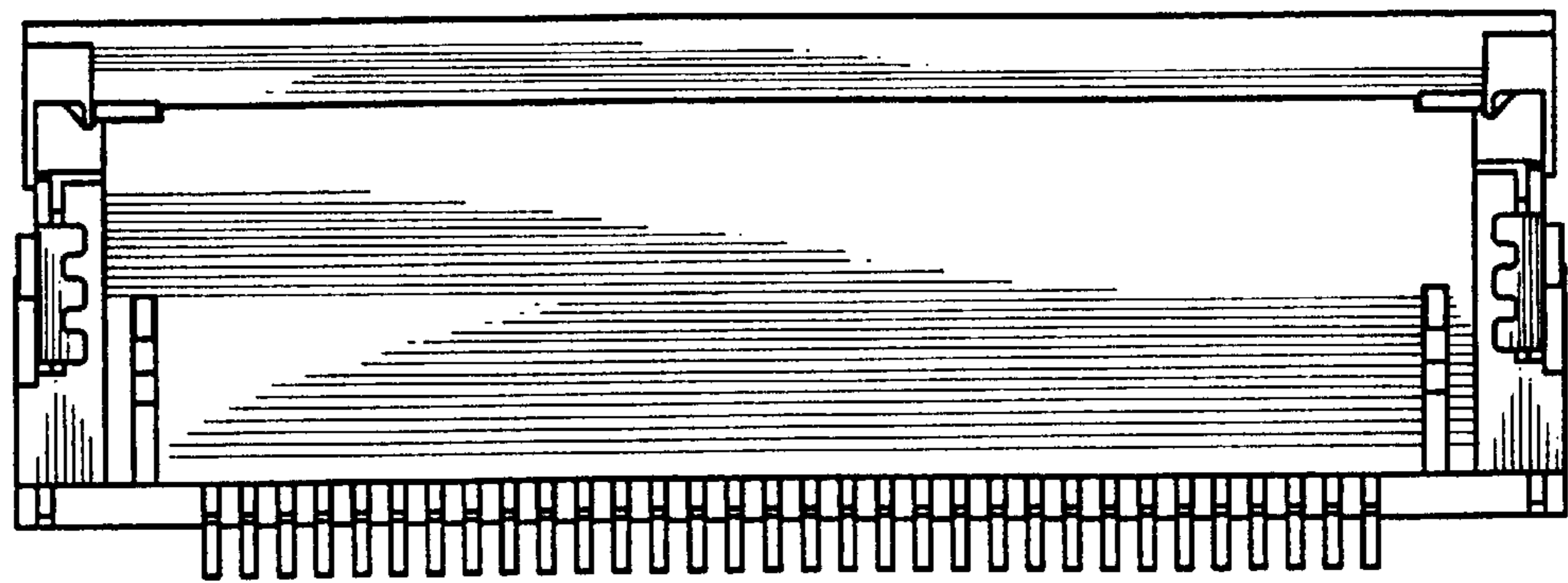


Fig. 4

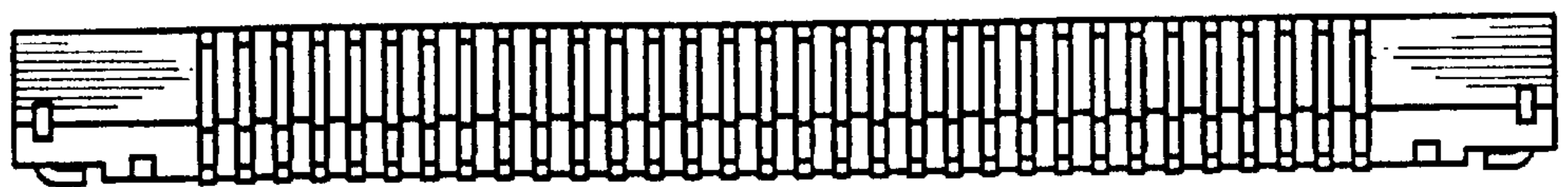


Fig. 5



Fig. 6

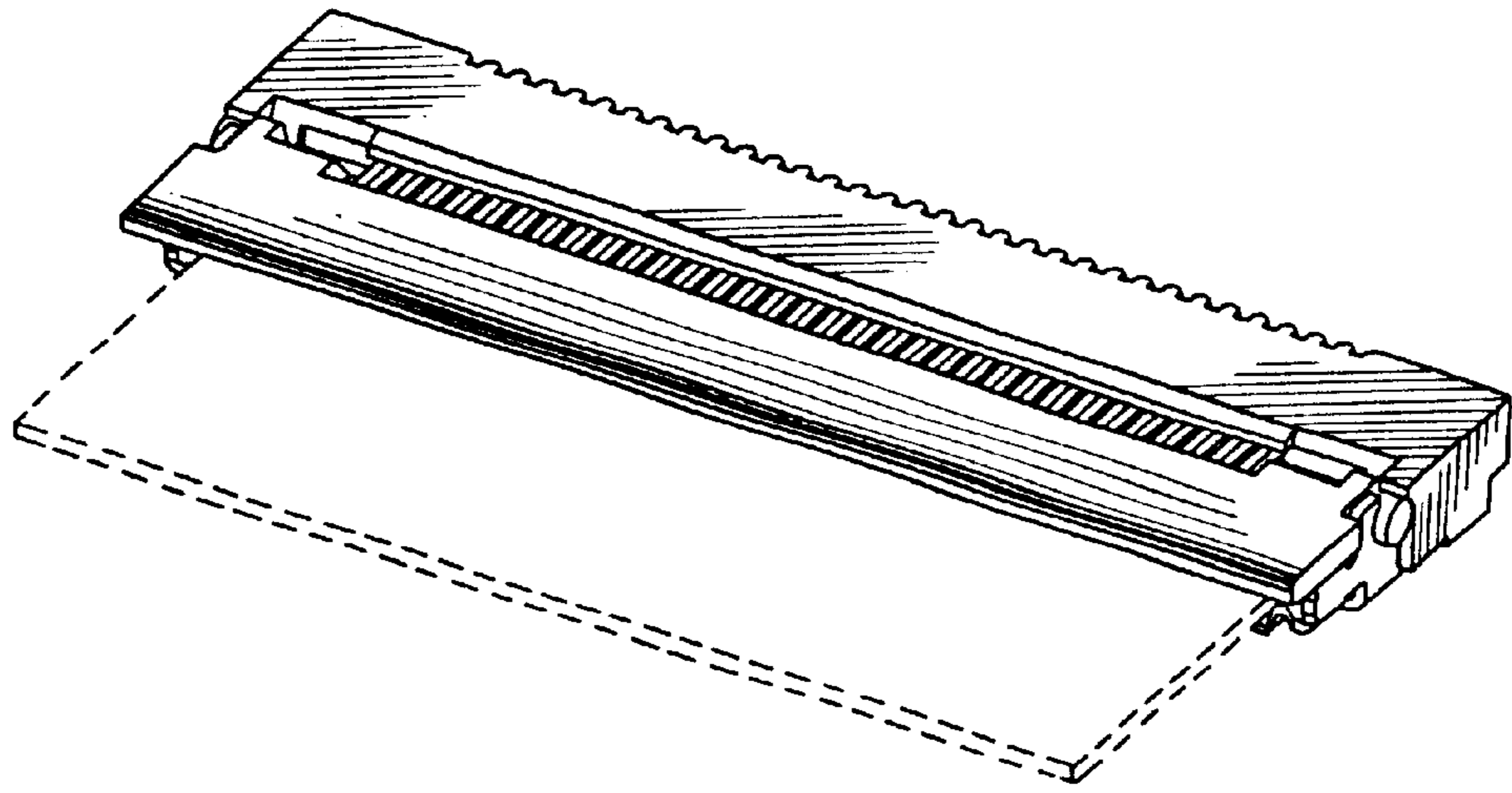


Fig. 7

