



US00D472217S

(12) **United States Design Patent**
Hsiao

(10) **Patent No.:** **US D472,217 S**

(45) **Date of Patent:** **** Mar. 25, 2003**

(54) **ROTATABLE CONNECTOR FOR TELEPHONE TRANSMITTER**

(76) **Inventor:** **Tien Jong Hsiao**, 5, Lane 121, Li Ta Road, Peitou, Taipei (TW)

(**) **Term:** **14 Years**

(21) **Appl. No.:** **29/143,017**

(22) **Filed:** **Jun. 5, 2001**

(51) **LOC (7) Cl.** **13-03**

(52) **U.S. Cl.** **D13/147**

(58) **Field of Search** D13/147; D14/256;
439/20-26, 676

(56) **References Cited**

U.S. PATENT DOCUMENTS

4,472,010 A	*	9/1984	Parnello	439/21	X
4,583,797 A	*	4/1986	Engelmore et al.	439/22	
4,673,228 A	*	6/1987	Ditzig	439/21	
D305,532 S	*	1/1990	Gallo et al.	D14/256	
5,049,083 A	*	9/1991	Lin	439/26	
D321,503 S	*	11/1991	Ditzig	D13/133	

5,082,448 A * 1/1992 Kang 439/22

D357,257 S * 4/1995 Kuo D14/256

6,139,332 A * 10/2000 Tsai 439/21

6,162,062 A * 12/2000 Liao 439/17

6,428,325 B1 * 8/2002 Kurosawa et al. 439/21

* cited by examiner

Primary Examiner—Joel Sincavage

(74) *Attorney, Agent, or Firm*—Pro-Techtor International Services

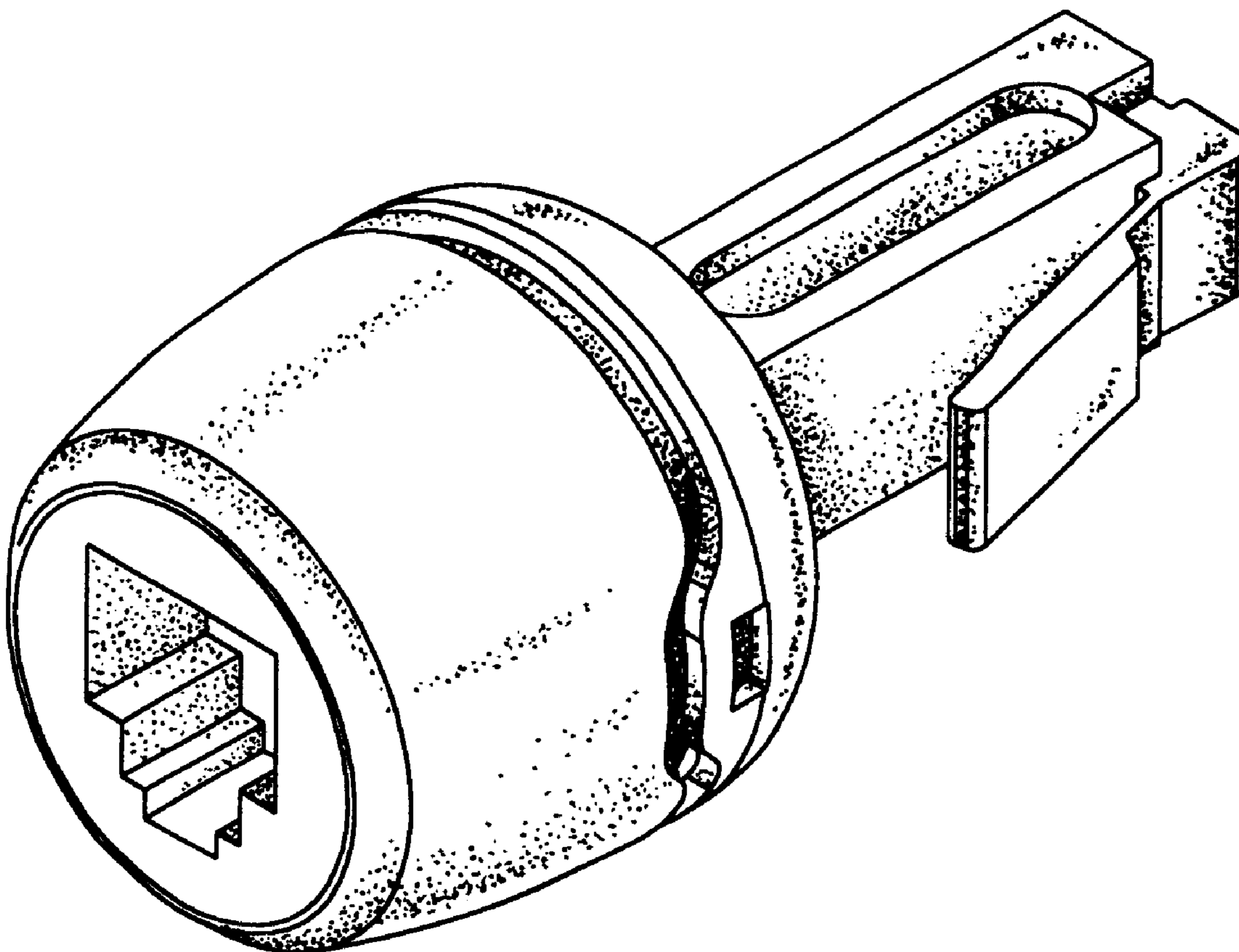
(57) **CLAIM**

The ornamental design for a rotatable connector for telephone transmitter, as shown.

DESCRIPTION

FIG. 1 is a front view of the present design;
FIG. 2 is a back view of the design;
FIG. 3 is a left side view of the design;
FIG. 4 is a right side view of the design;
FIG. 5 is a top view of the design;
FIG. 6 is a bottom view of the design; and,
FIG. 7 is a stereographic view of the design.

1 Claim, 4 Drawing Sheets



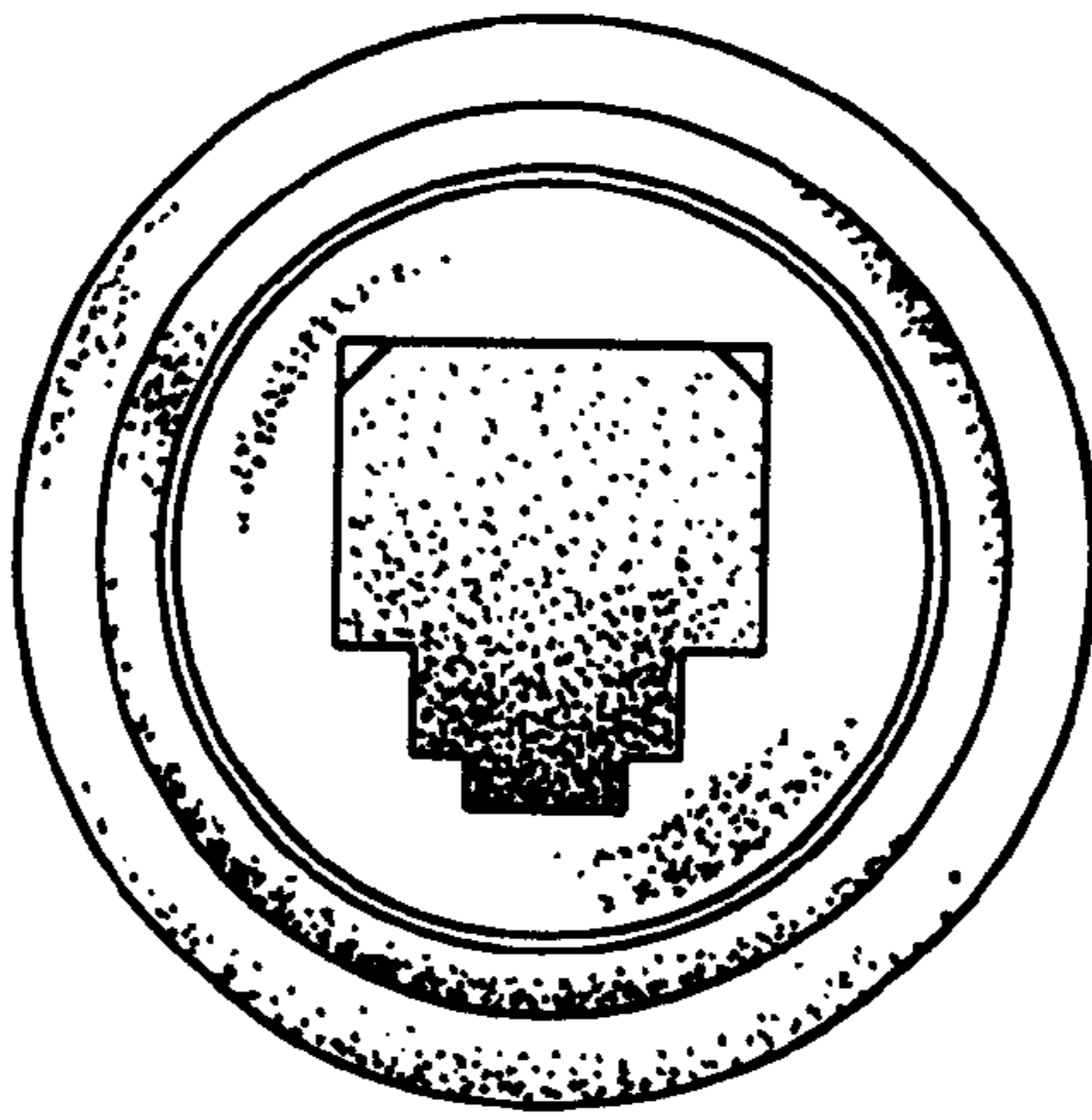


Fig. 1

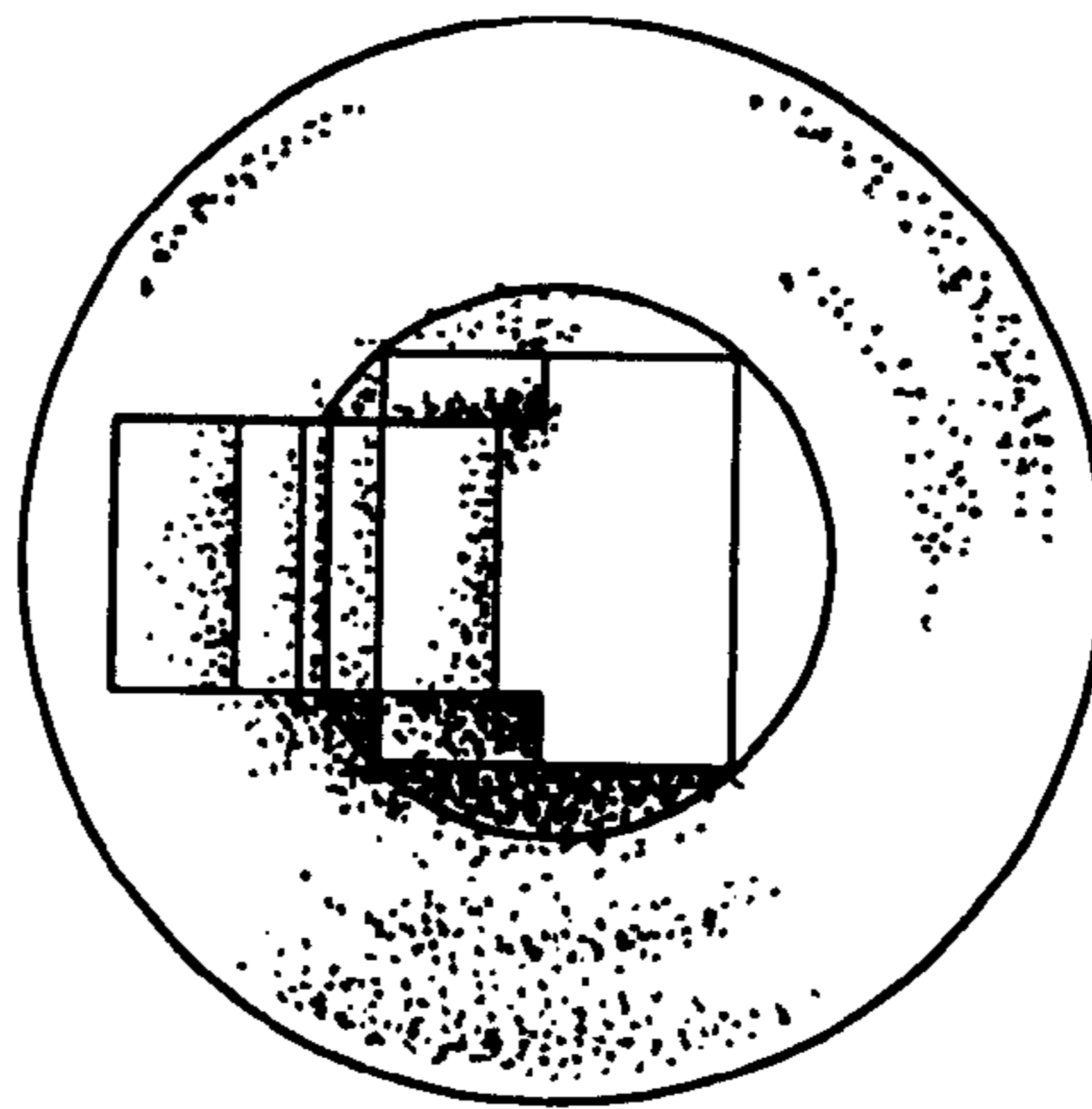


Fig. 2

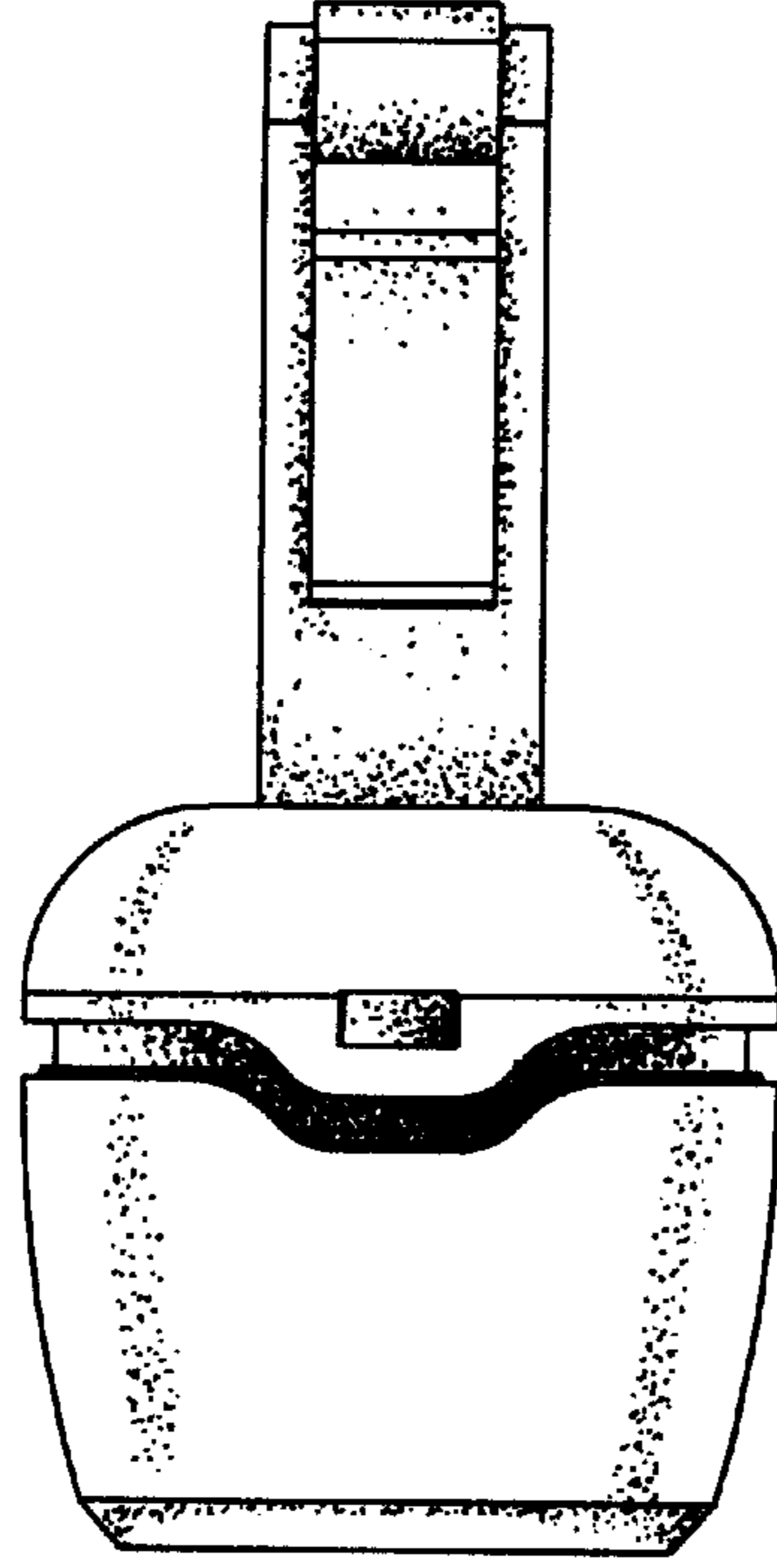


Fig. 4

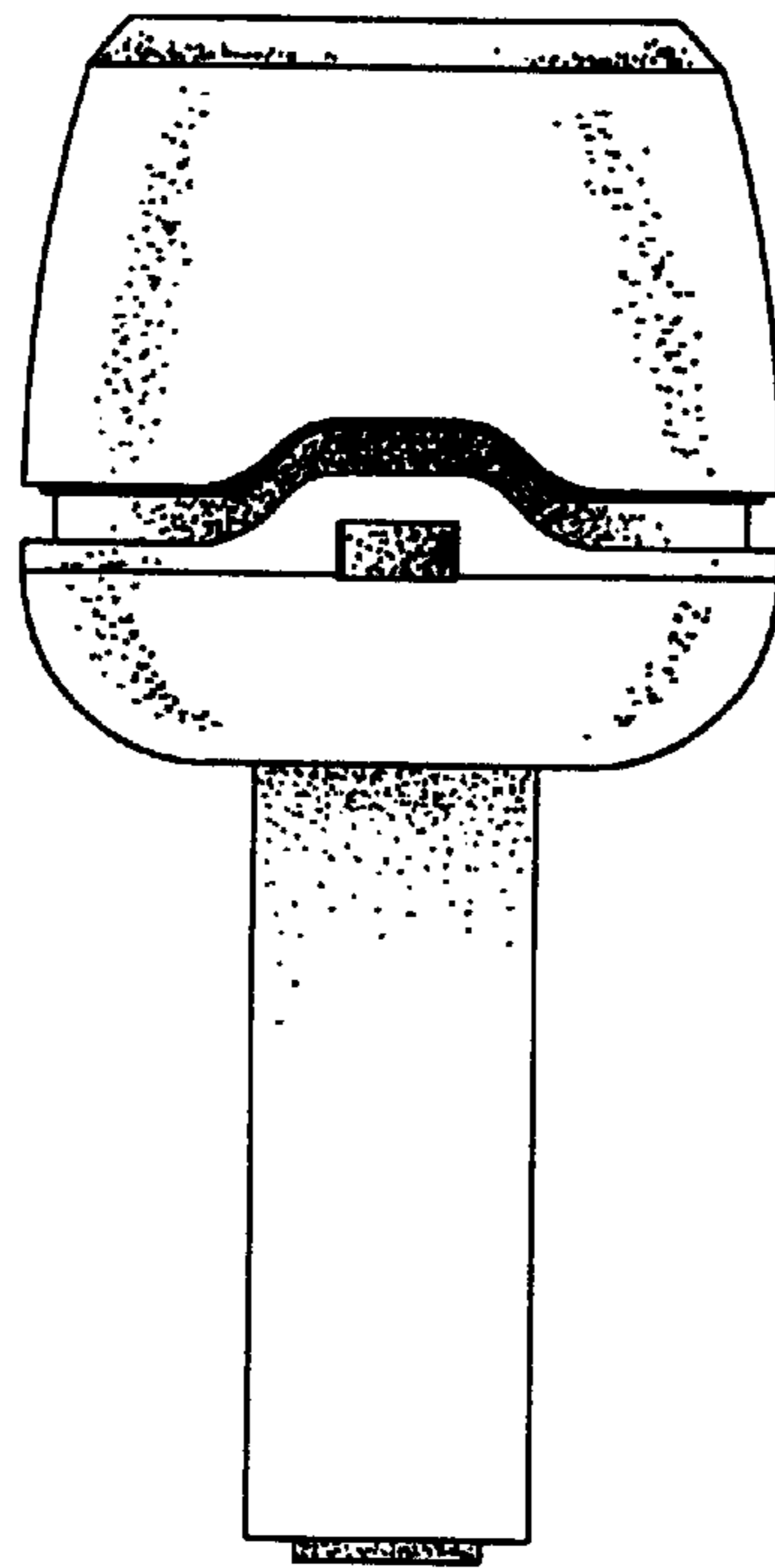


Fig. 3

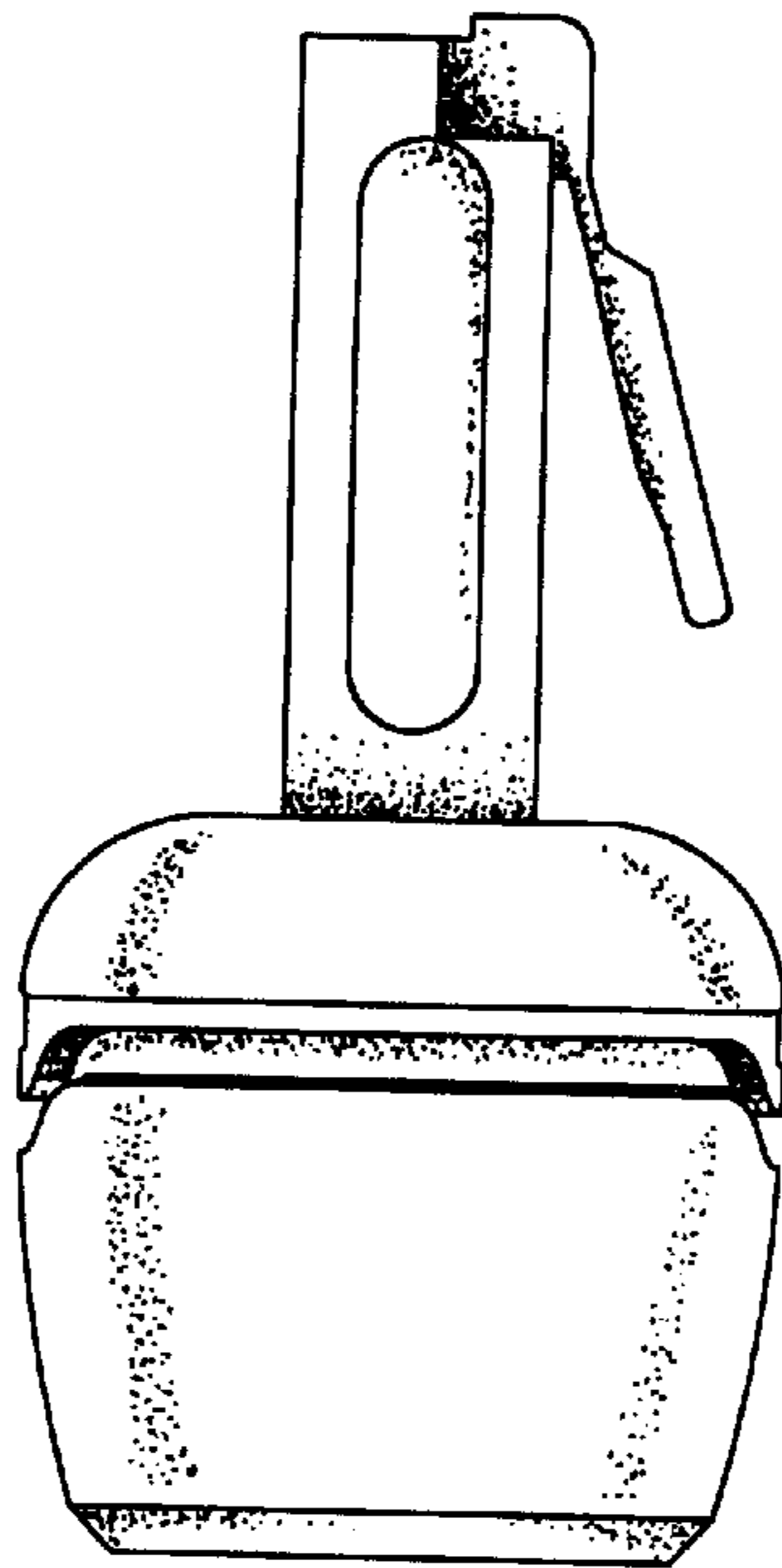


Fig. 5

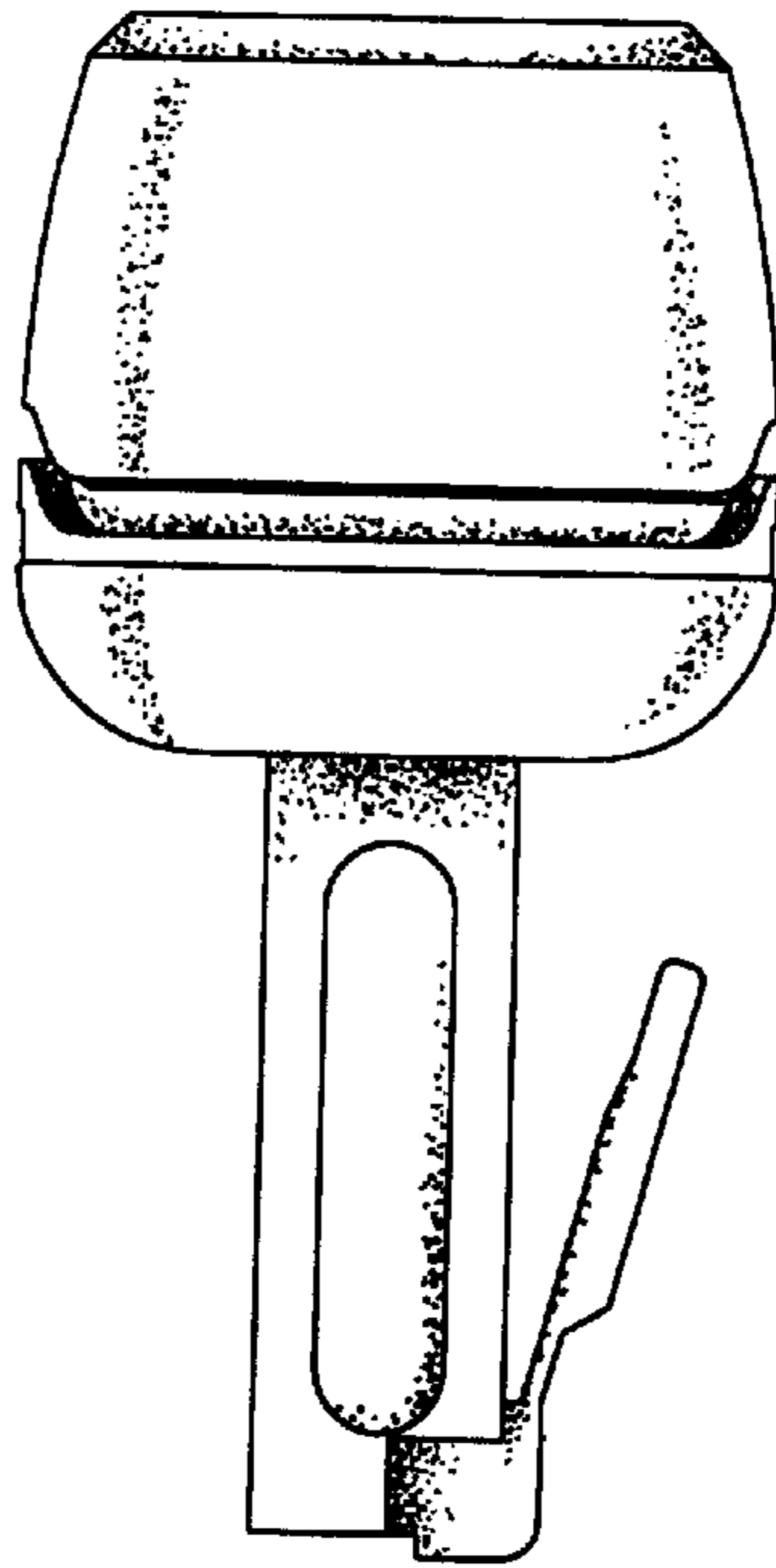


Fig. 6

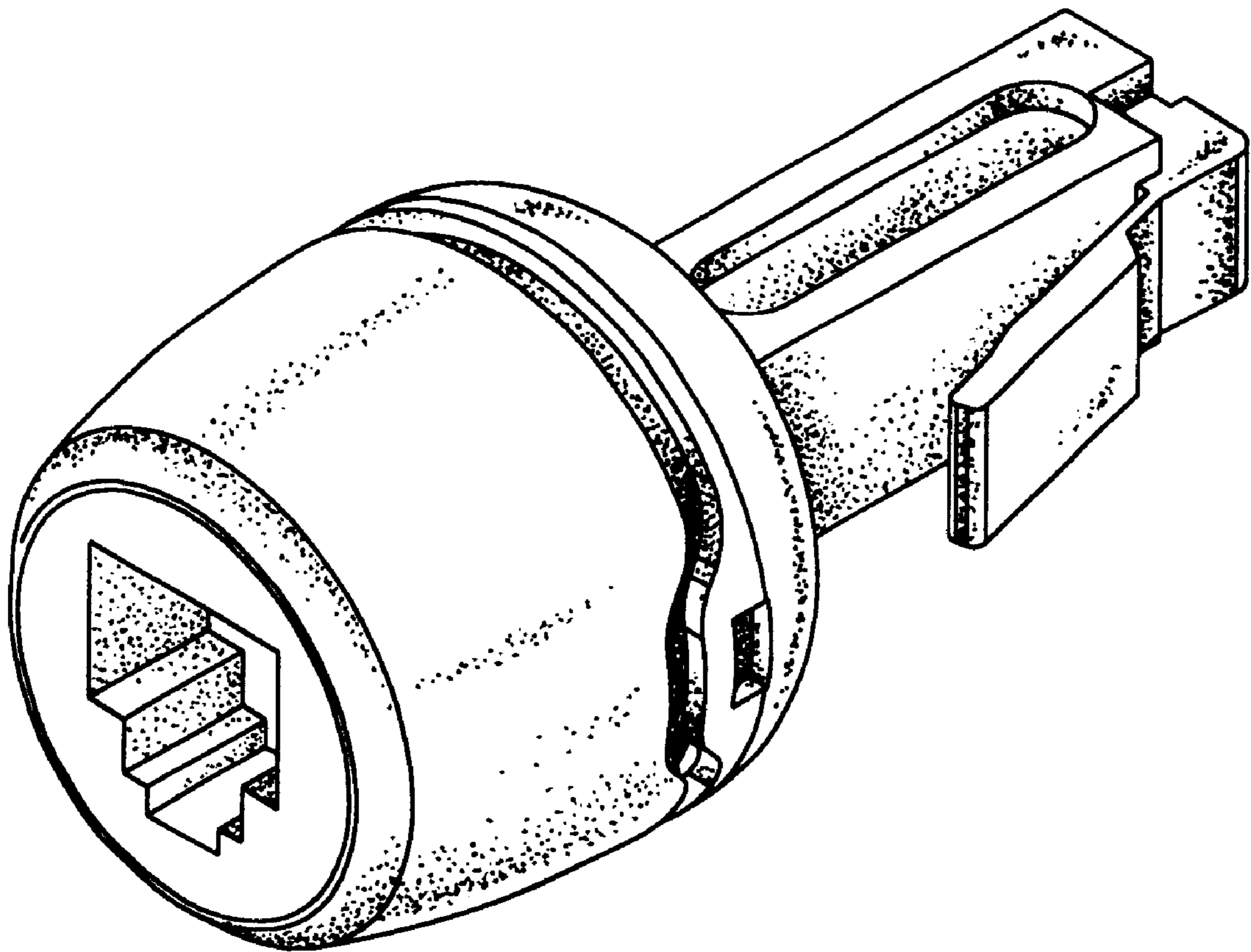


Fig. 7