



US00D472216S

(12) **United States Design Patent**  
**Hamamura**

(10) **Patent No.:** **US D472,216 S**

(45) **Date of Patent:** **\*\* Mar. 25, 2003**

(54) **CONVERSION CABLE**

(75) Inventor: **Toshihiro Hamamura**, Tokyo (JP)

(73) Assignee: **Asahi Kogaku Kogyo Kabushiki Kaisha**, Tokyo (JP)

(\*\*) Term: **14 Years**

(21) Appl. No.: **29/150,170**

(22) Filed: **Nov. 9, 2001**

(30) **Foreign Application Priority Data**

May 18, 2001 (JP) ..... 2001-014234

(51) **LOC (7) Cl.** ..... **13-03**

(52) **U.S. Cl.** ..... **D13/146**

(58) **Field of Search** ..... D13/133, 146,  
D13/147; D19/56; 439/350, 354, 610, 680

(56) **References Cited**

**U.S. PATENT DOCUMENTS**

- 4,493,525 A \* 1/1985 Hall et al. .... 439/610
- 4,630,876 A \* 12/1986 Grunberg et al. .... 439/293
- D298,931 S \* 12/1988 Sekiguchi ..... D13/147
- D312,837 S \* 12/1990 Oka ..... D19/51
- D345,139 S \* 3/1994 Gregson ..... D13/146

- D345,759 S \* 4/1994 Poisson ..... D19/57
- D391,294 S \* 2/1998 Izushima ..... D19/57
- D434,003 S \* 11/2000 Brisson ..... D13/146
- D455,179 S \* 4/2002 Oka ..... D19/56

\* cited by examiner

*Primary Examiner*—Joel Sincavage

(74) *Attorney, Agent, or Firm*—Sughrue Mion, PLLC

(57) **CLAIM**

The ornamental design for a conversion cable, as shown and described.

**DESCRIPTION**

FIG. 1 is a perspective view of the top, front and one end of a conversion cable showing my new design;  
 FIG. 2 is an end elevational view of said one end thereof;  
 FIG. 3 is an end elevational view of an opposite end thereof;  
 FIG. 4 is a front elevational view thereof;  
 FIG. 5 is a top plan view thereof;  
 FIG. 6 is a side elevational view of an opposite side thereof;  
 and,  
 FIG. 7 is a bottom plan view thereof.

The elements shown in phantom lines do not form any part of the claimed design.

**1 Claim, 2 Drawing Sheets**

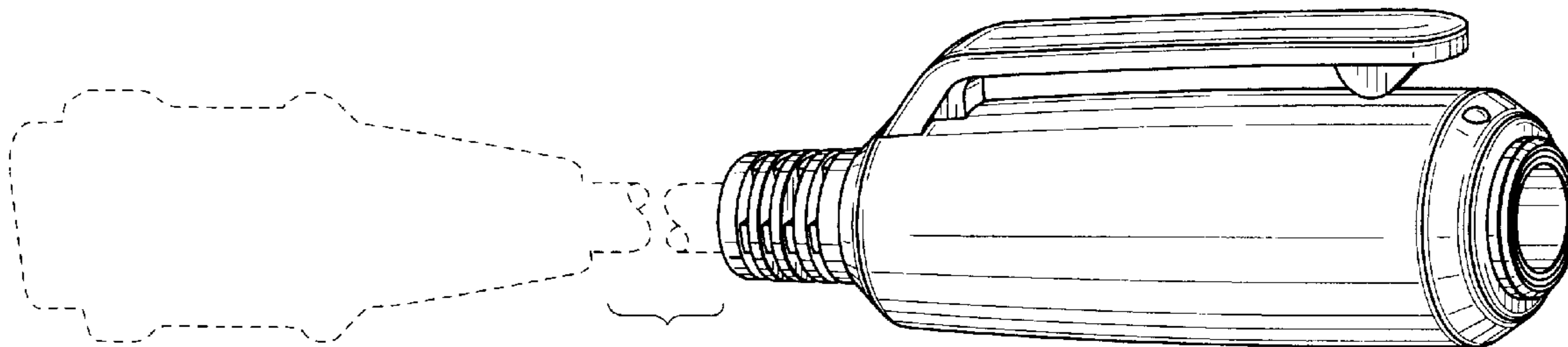


FIG. 1

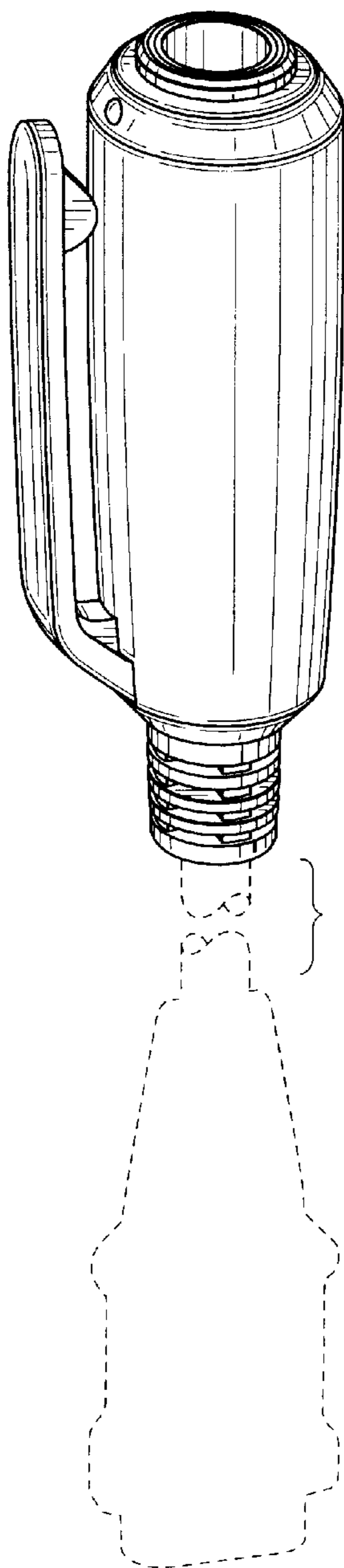


FIG. 2

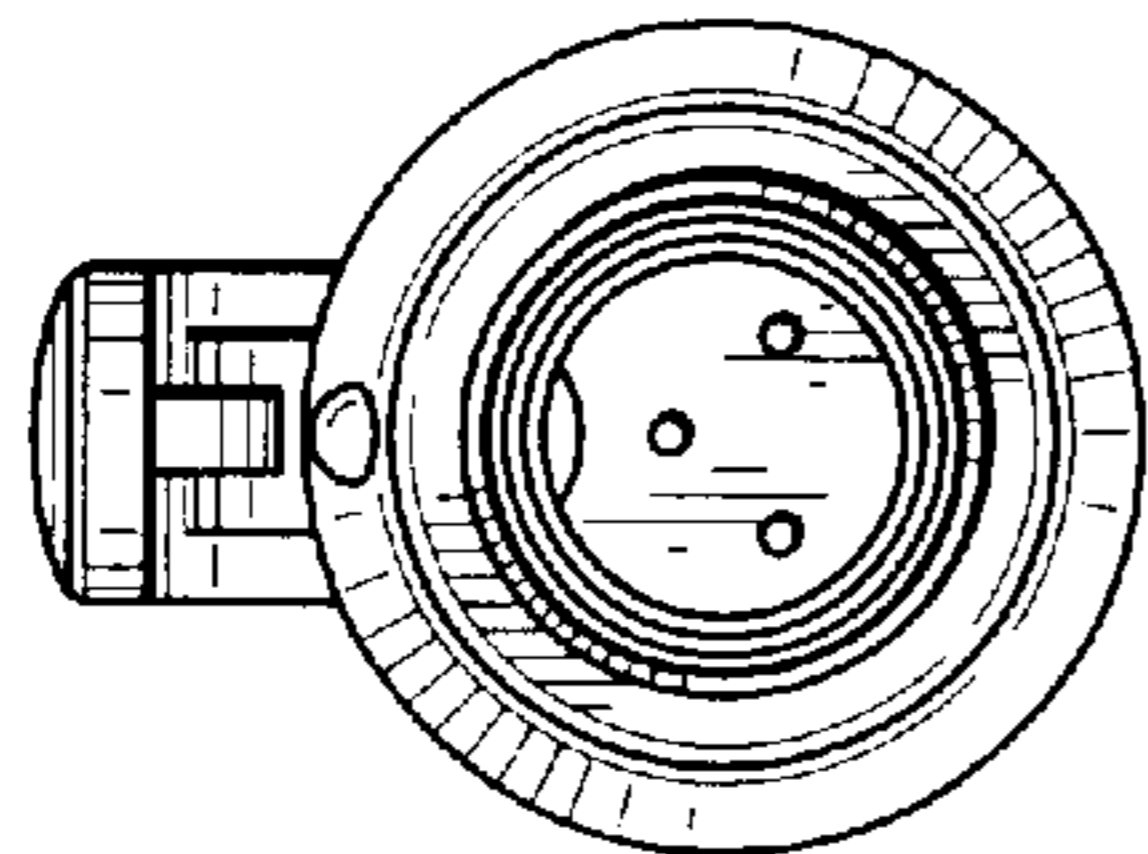


FIG. 3

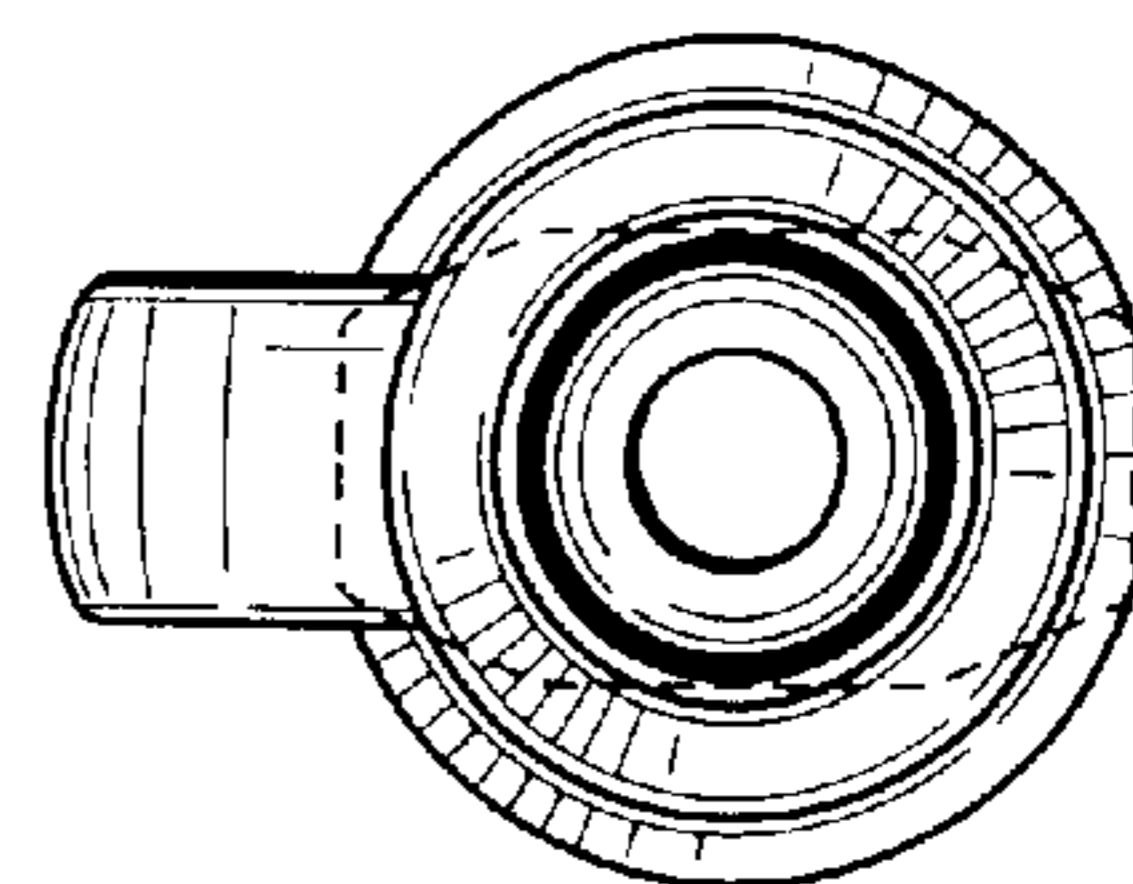


FIG. 4

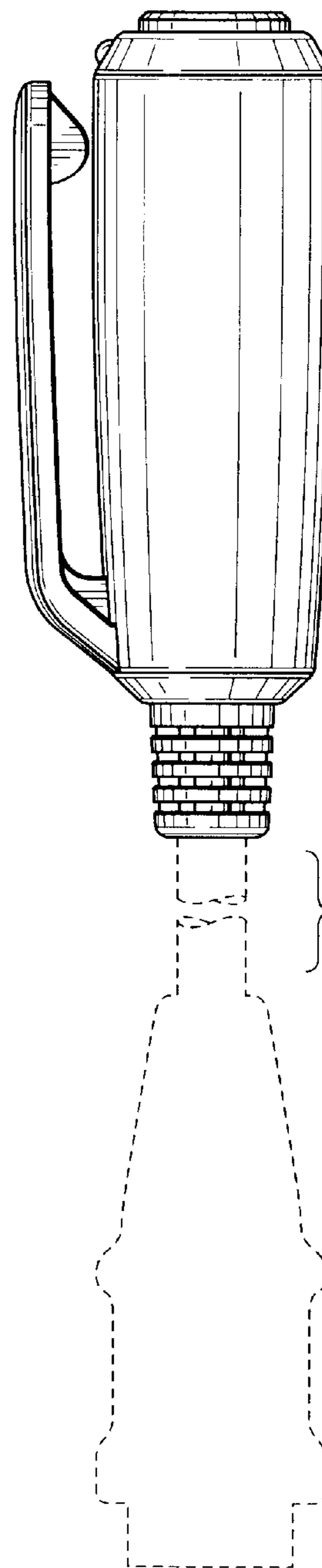


FIG. 5

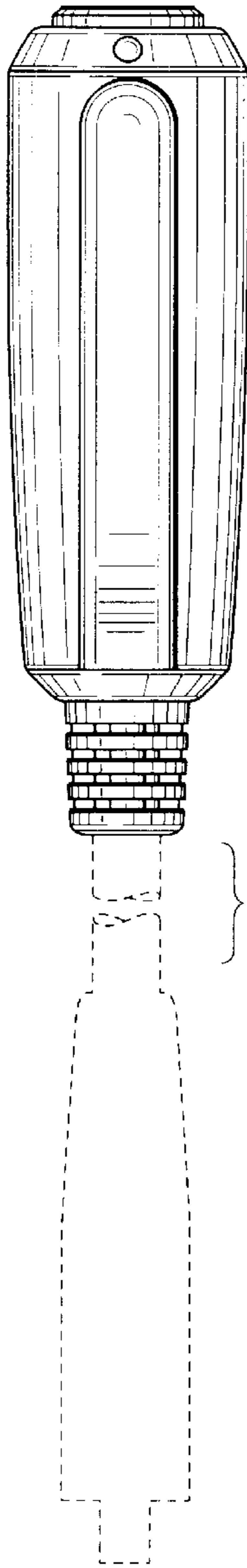


FIG. 6

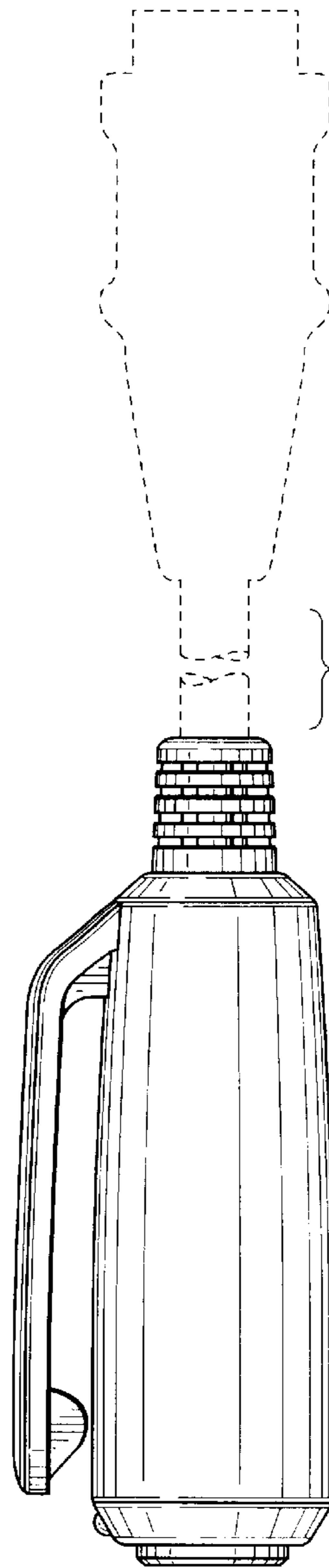


FIG. 7

