



US00D472211S

(12) **United States Design Patent**
Tsergas

(10) **Patent No.:** **US D472,211 S**

(45) **Date of Patent:** **** Mar. 25, 2003**

(54) **NARROW GEAR BOX**

(75) Inventor: **Athanas N. Tsergas**, Wood Dale, IL (US)

(73) Assignee: **Molon Motor & Coil Corporation**, Rolling Meadows, IL (US)

(**) Term: **14 Years**

(21) Appl. No.: **29/155,737**

(22) Filed: **Feb. 19, 2002**

Related U.S. Application Data

(62) Division of application No. 29/124,917, filed on Jun. 14, 2000, now Pat. No. Des. 461,164.

(51) **LOC (7) Cl.** **13-02**

(52) **U.S. Cl.** **D13/122**

(58) **Field of Search** D13/118, 122; 310/83, 89, 99; 74/421 A, 606 R

(56) **References Cited**

U.S. PATENT DOCUMENTS

- 4,147,071 A * 4/1979 Scribner et al. 74/421 A X
- 4,706,512 A * 11/1987 McKernon et al. ... 74/421 A X
- 5,072,164 A * 12/1991 Pruis et al. 318/468
- D327,051 S 6/1992 Schwartz
- 5,172,605 A 12/1992 Schwartz

- 5,256,921 A * 10/1993 Pruis et al. 310/83 X
- 5,446,326 A * 8/1995 Scheider 310/83
- 5,737,968 A * 4/1998 Hardey et al. 74/421 A
- 5,747,897 A * 5/1998 Iwasa et al. 310/49 R
- 5,947,328 A 9/1999 Kovens et al.
- 6,028,384 A * 2/2000 Billman et al. 310/83
- 6,054,785 A * 4/2000 Kerdjoudj et al. 310/83 X
- 6,122,994 A * 9/2000 Norfolk et al. 74/606 R
- 6,272,941 B1 * 8/2001 Phillips 74/412 R X

* cited by examiner

Primary Examiner—Joel Sincavage

(74) *Attorney, Agent, or Firm*—Oblon, Spivak, McClelland, Maier & Neustadt, P.C.

(57) **CLAIM**

An ornamental design for a narrow gear box, as shown and described.

DESCRIPTION

FIG. 1 is a top plan view of a narrow gear box showing my new design.

FIG. 2 is a bottom plan view thereof.

FIG. 3 is a front elevational view thereof.

FIG. 4 is a rear elevational view thereof.

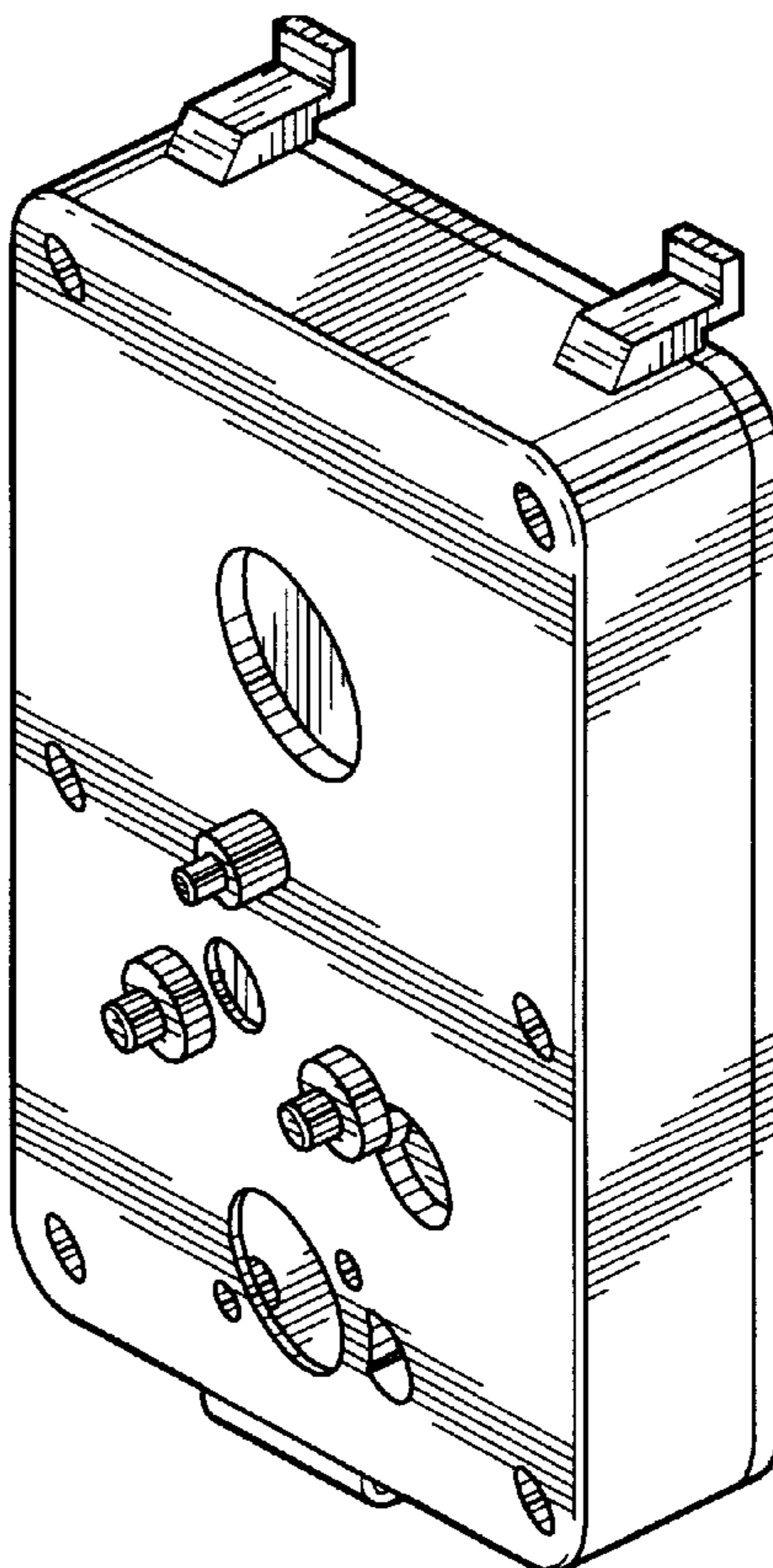
FIG. 5 is a left side view thereof.

FIG. 6 is a right side view thereof.

FIG. 7 is a top rear right perspective view thereof; and,

FIG. 8 is a bottom rear left perspective view thereof.

1 Claim, 5 Drawing Sheets



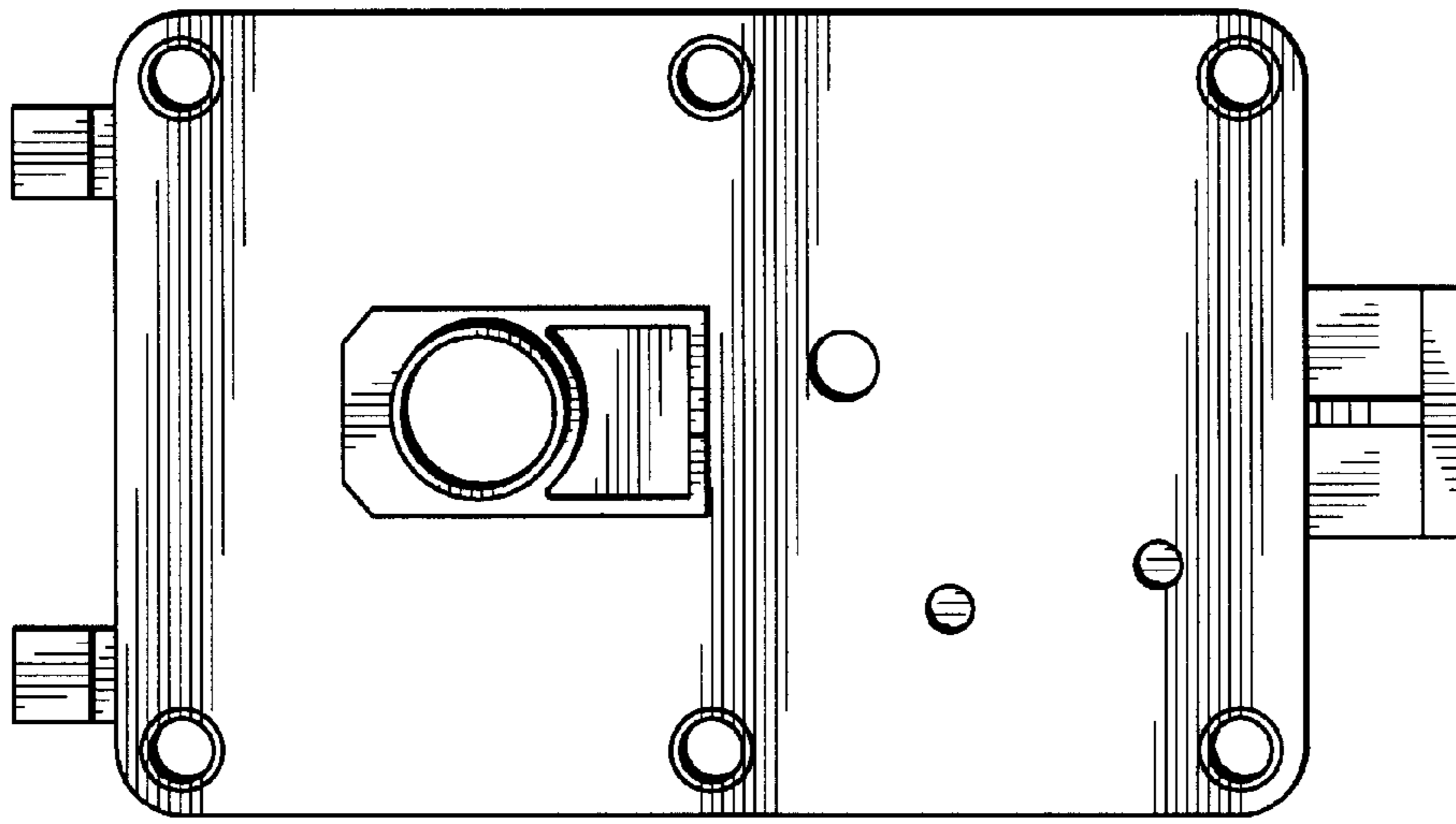


FIG. 1

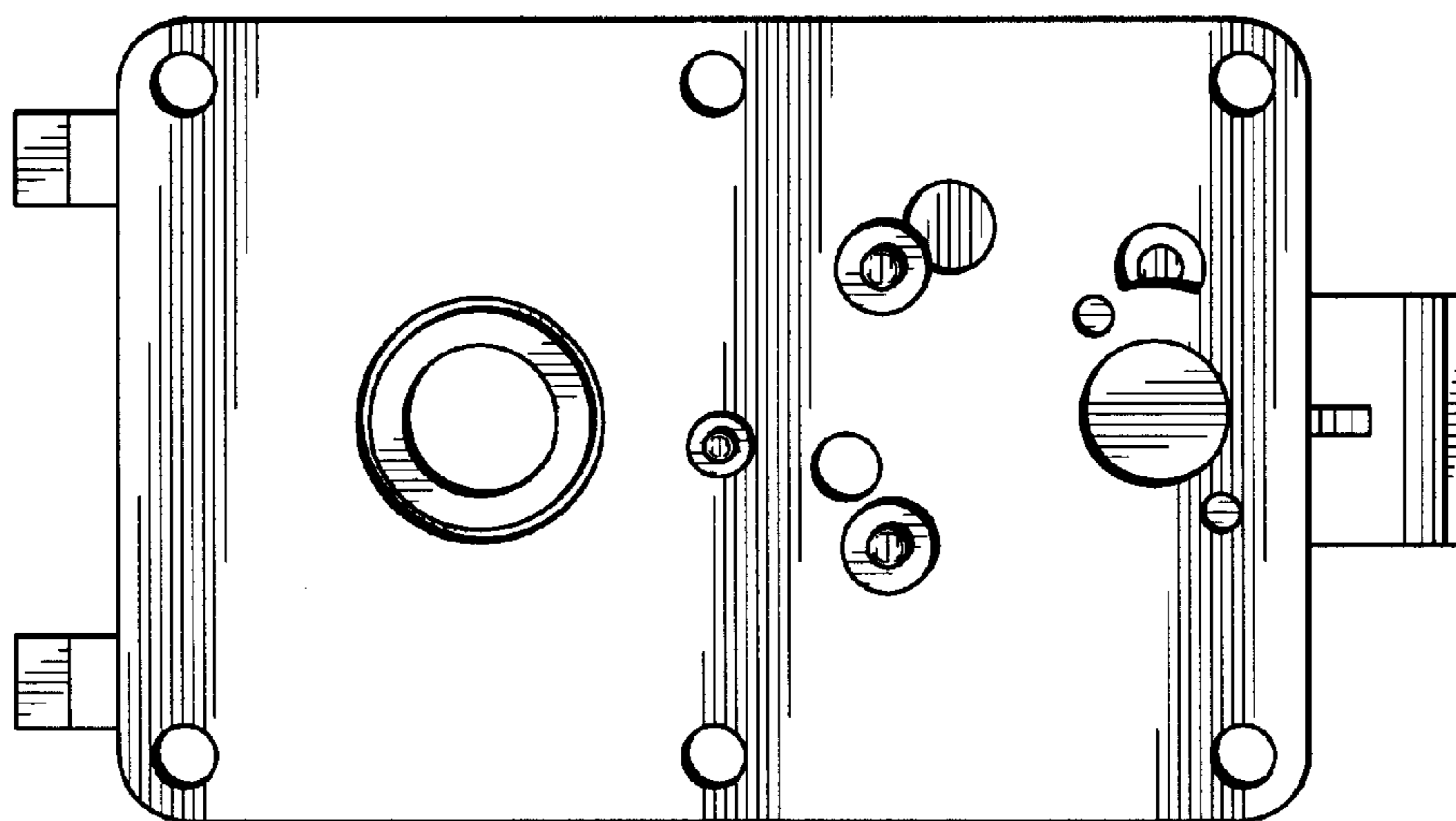


FIG. 2

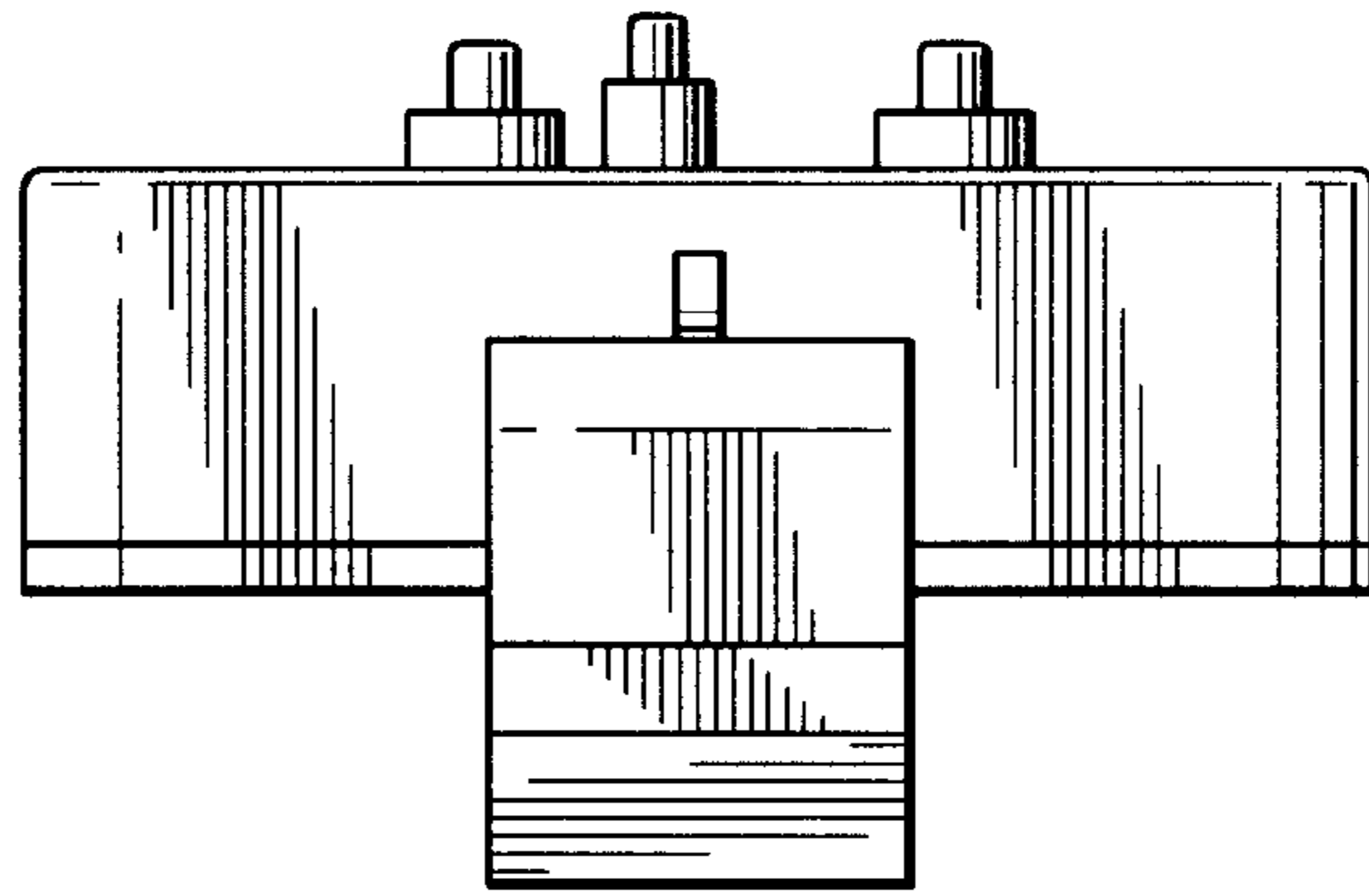


FIG. 3

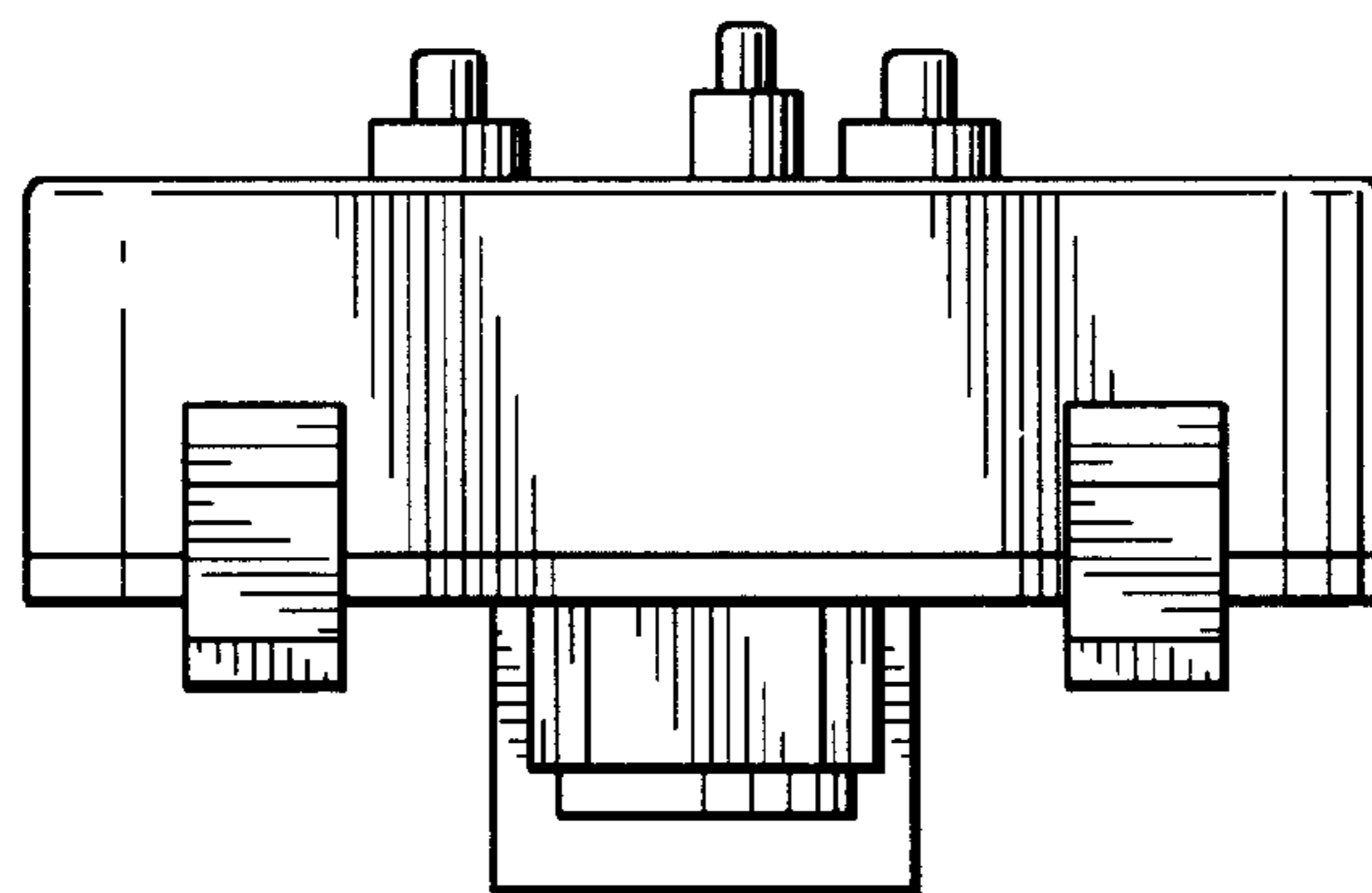


FIG. 4

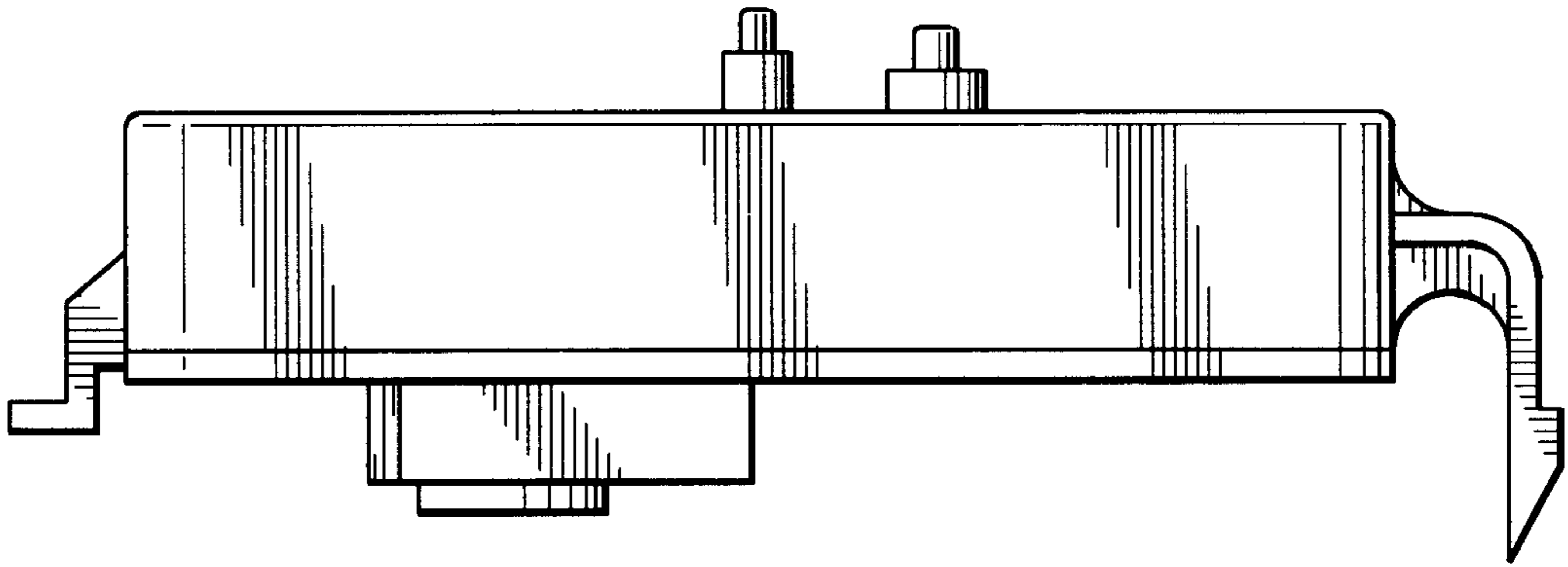


FIG. 5

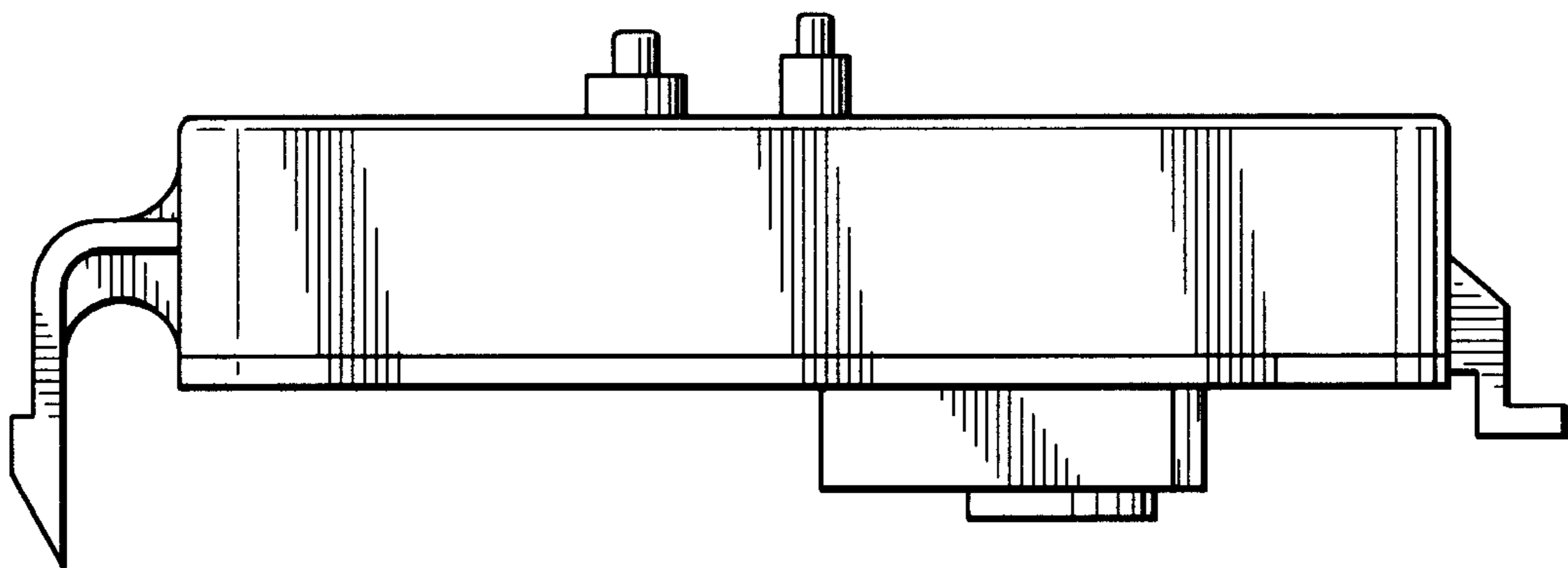


FIG. 6

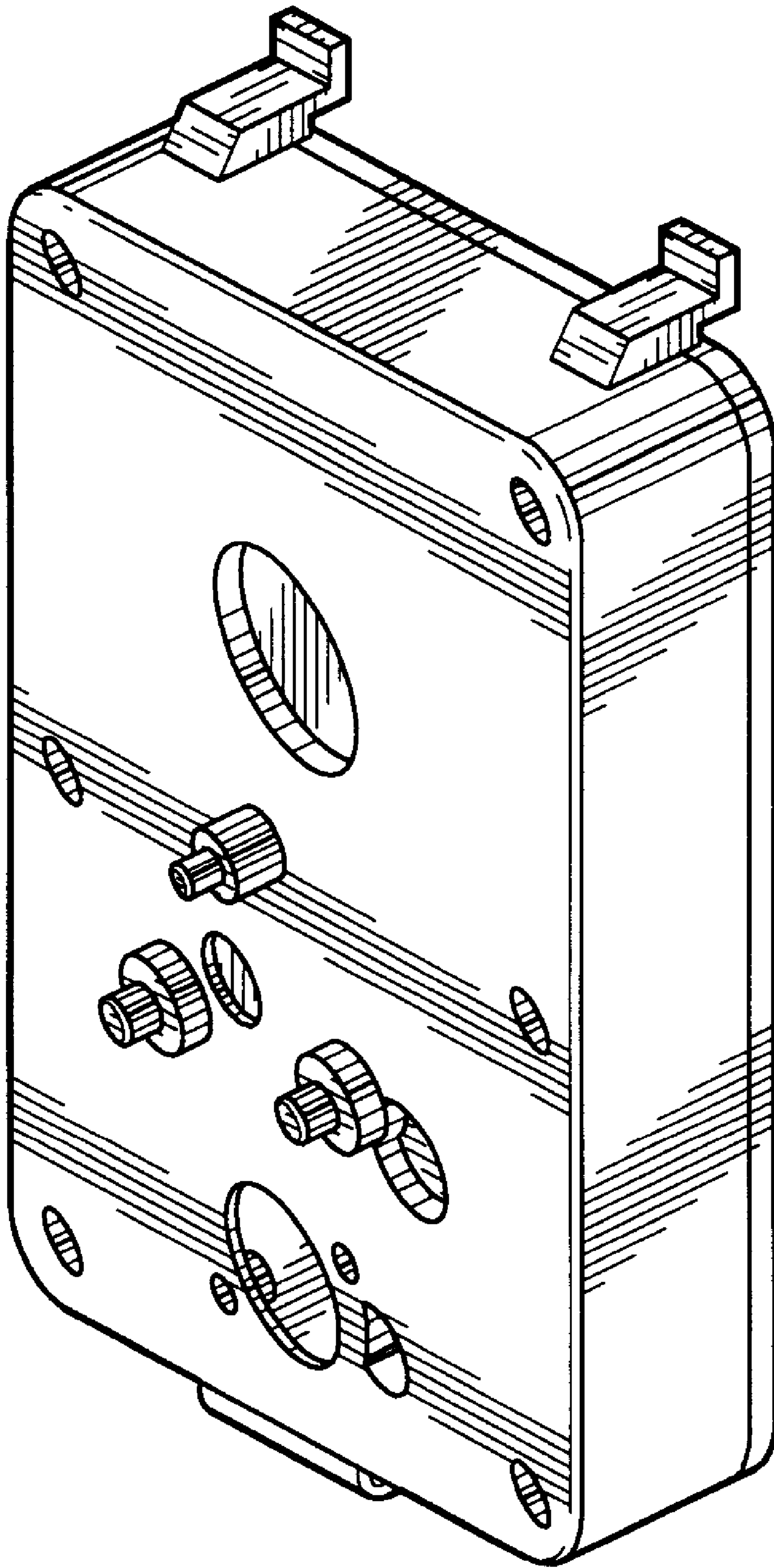


FIG. 7

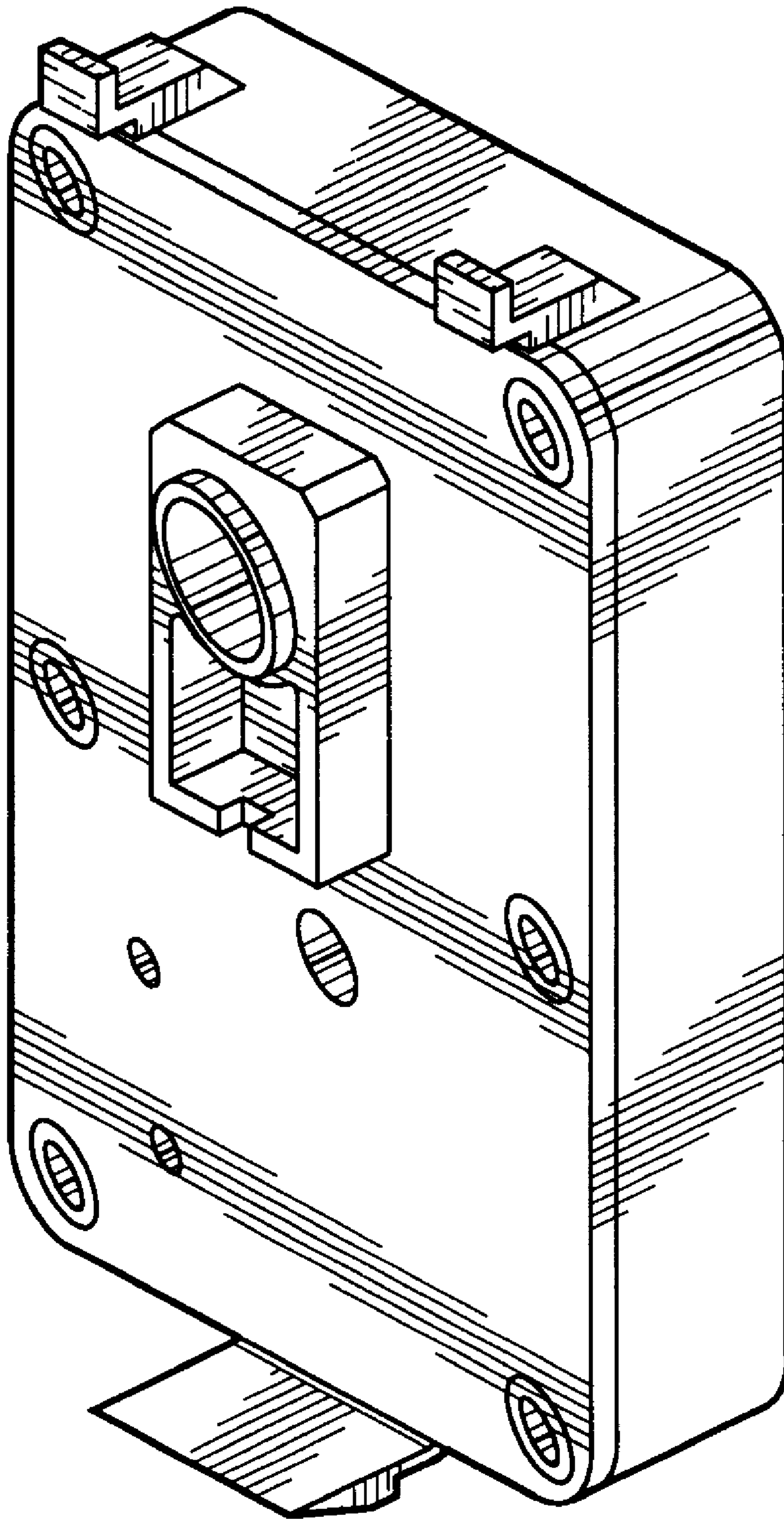


FIG. 8