



US00D472208S

(12) **United States Design Patent**
Sherman et al.

(10) **Patent No.:** **US D472,208 S**

(45) **Date of Patent:** **** Mar. 25, 2003**

(54) **MOTOR HOUSING FOR AN APPLIANCE**

(75) Inventors: **Roger Sherman**, Jamaica Plain, MA (US); **Sam Chen**, Tai Chung (TW)

(73) Assignee: **Tensor Corporation**, Chelsea, MA (US)

(**) Term: **14 Years**

(21) Appl. No.: **29/147,400**

(22) Filed: **Aug. 28, 2001**

(51) **LOC (7) Cl.** **13-01**

(52) **U.S. Cl.** **D13/112**

(58) **Field of Search** D13/112, 101,
D13/113, 114; 310/40 R

(56) **References Cited**

U.S. PATENT DOCUMENTS

D298,228 S	*	10/1988	Hoshino	D13/112
D306,009 S	*	2/1990	Mintz et al.	D13/112
D409,564 S	*	5/1999	Koshida	D13/112

* cited by examiner

Primary Examiner—Lisa Lichtenstein

(74) *Attorney, Agent, or Firm*—Todd S. Parkhurst

(57) **CLAIM**

The ornamental design for a motor housing for an appliance, as shown and described.

DESCRIPTION

FIG. 1 is a perspective view of a motor housing for an appliance;

FIG. 2 is a front elevation view thereof;

FIG. 3 is a side elevation view thereof, the opposite side being a mirror image of that shown;

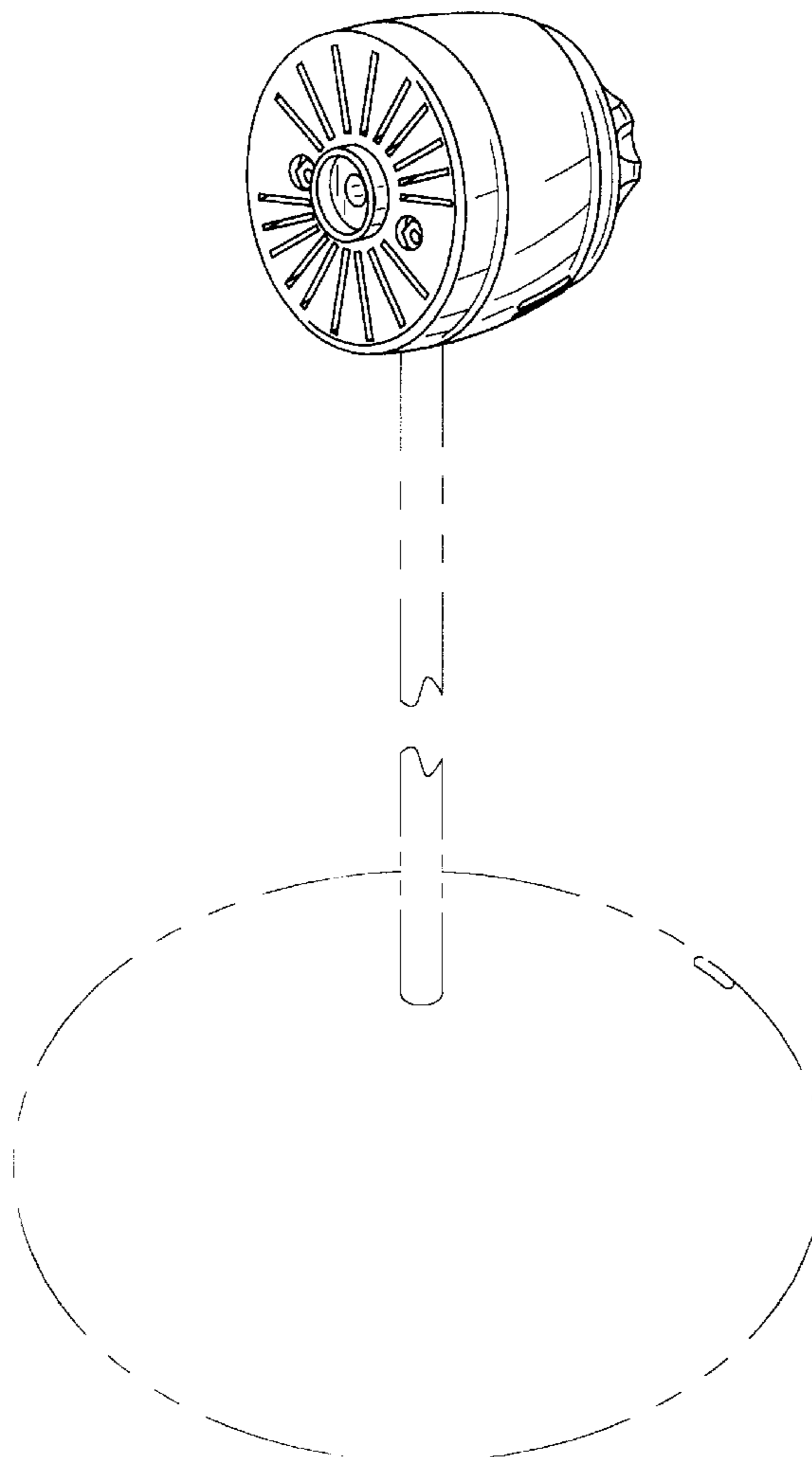
FIG. 4 is a rear elevation view thereof;

FIG. 5 is a top plan view thereof; and,

FIG. 6 is a bottom plan view thereof.

The broken line showing of environmental structure in FIGS. 1–6 is for illustrative purposes only and forms no part of the claimed design.

1 Claim, 3 Drawing Sheets



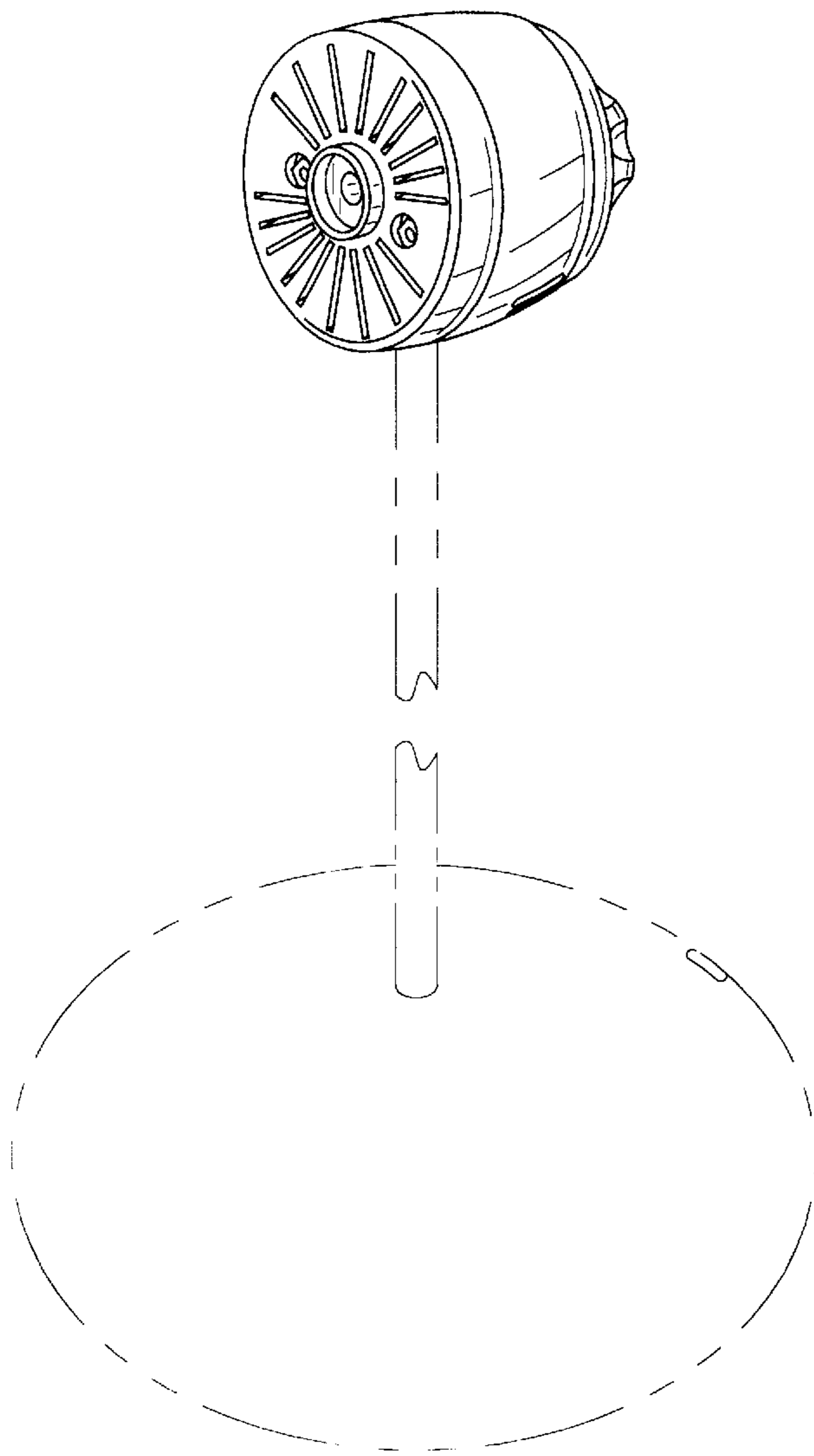


FIG. 1

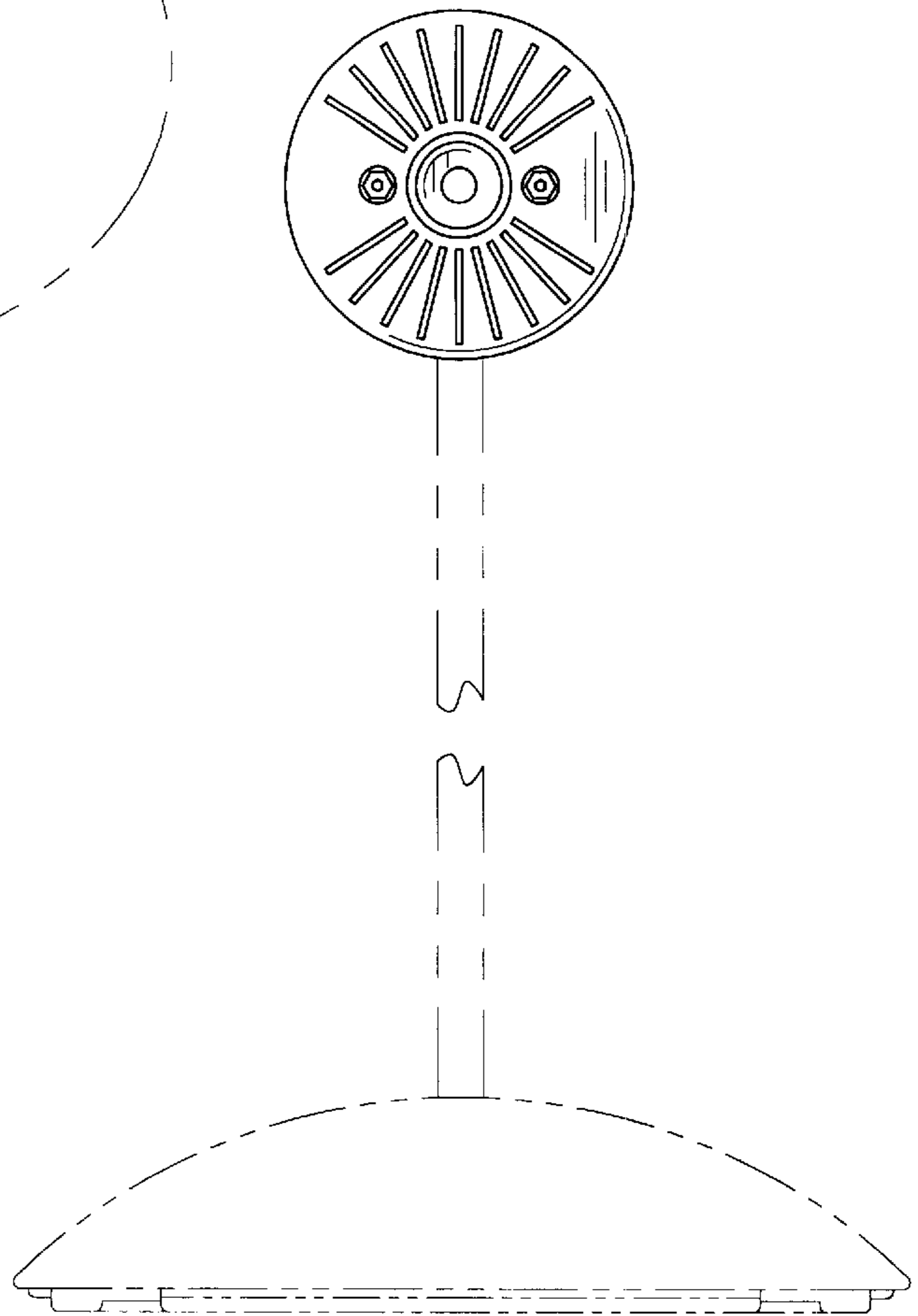


FIG. 2

+

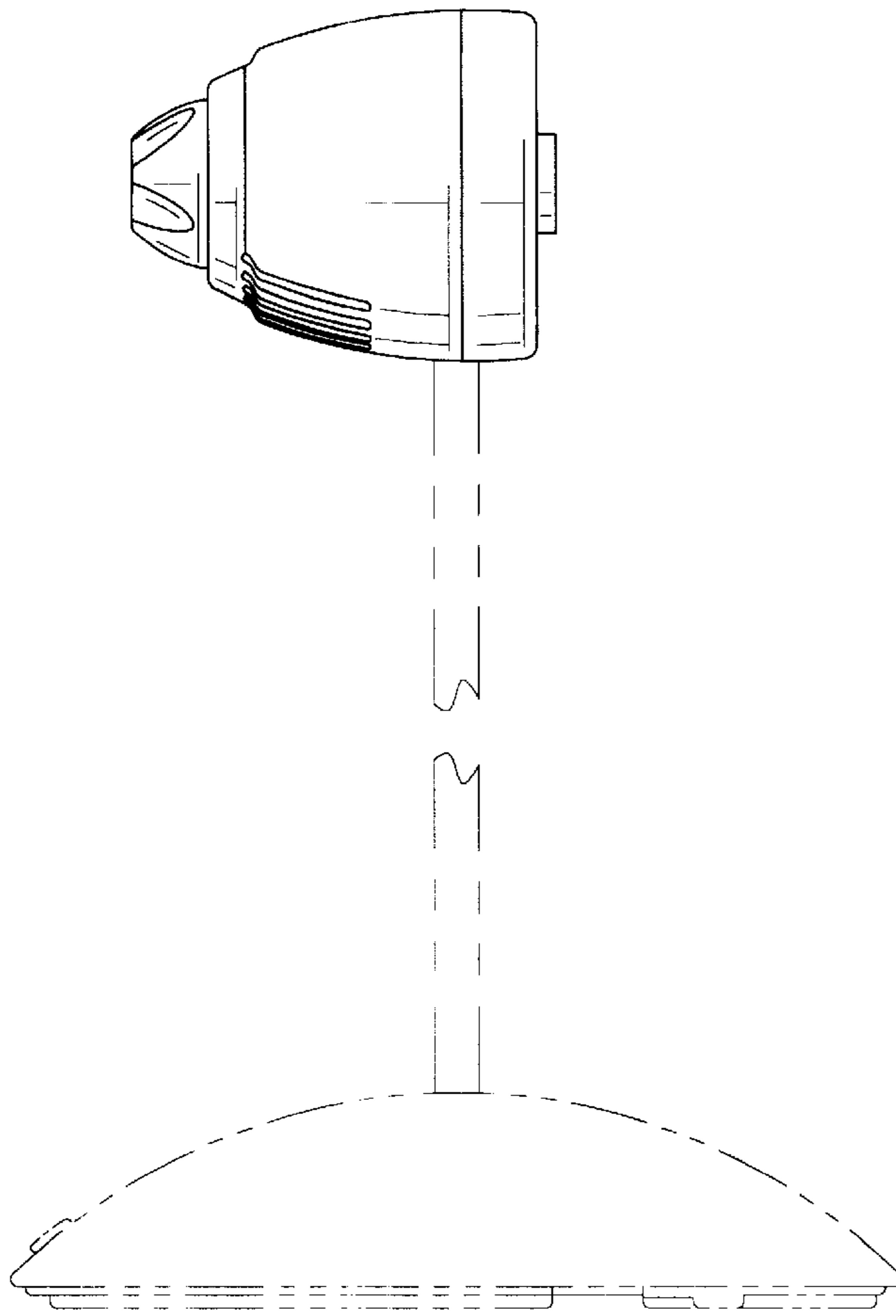


FIG. 3

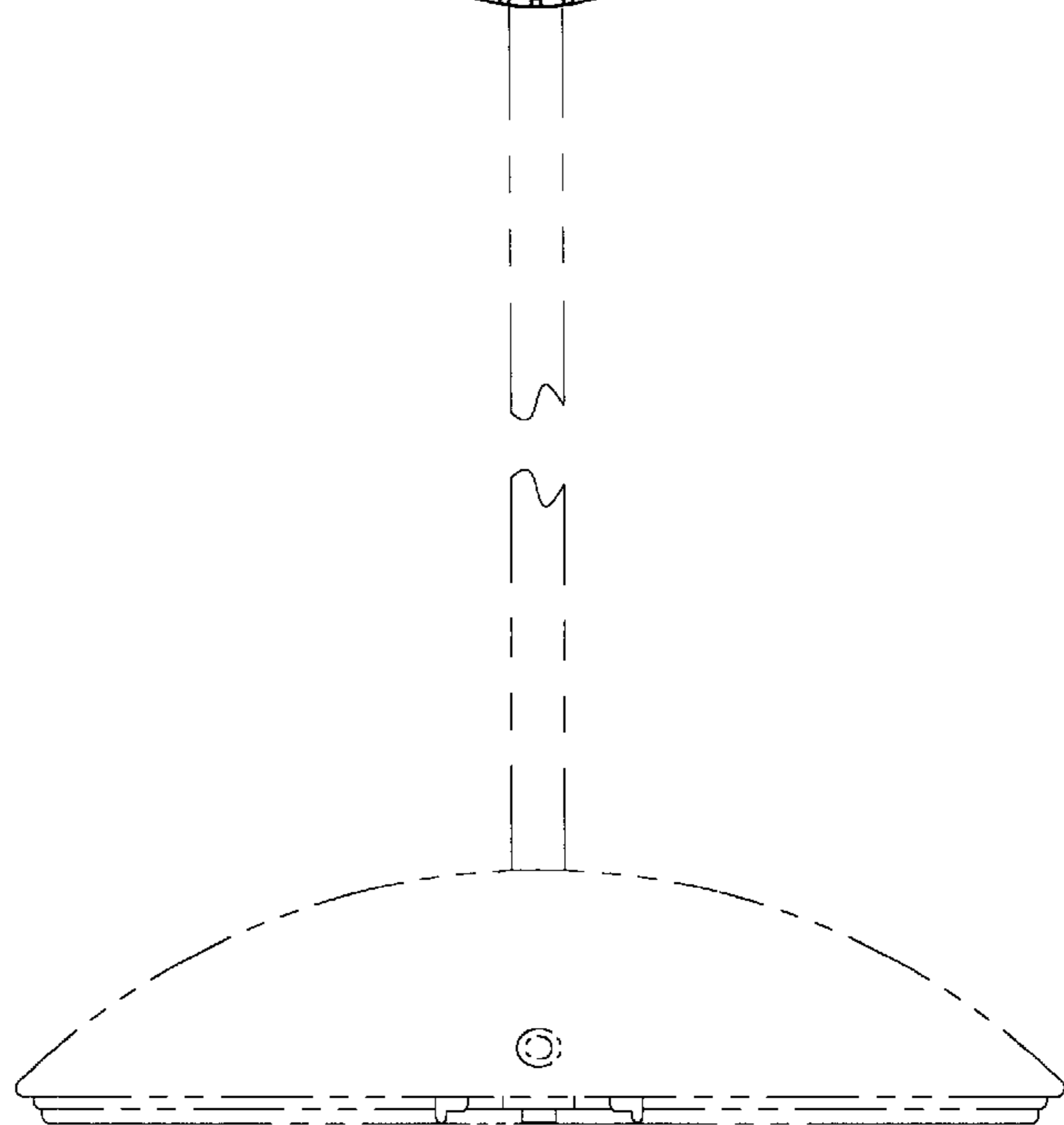
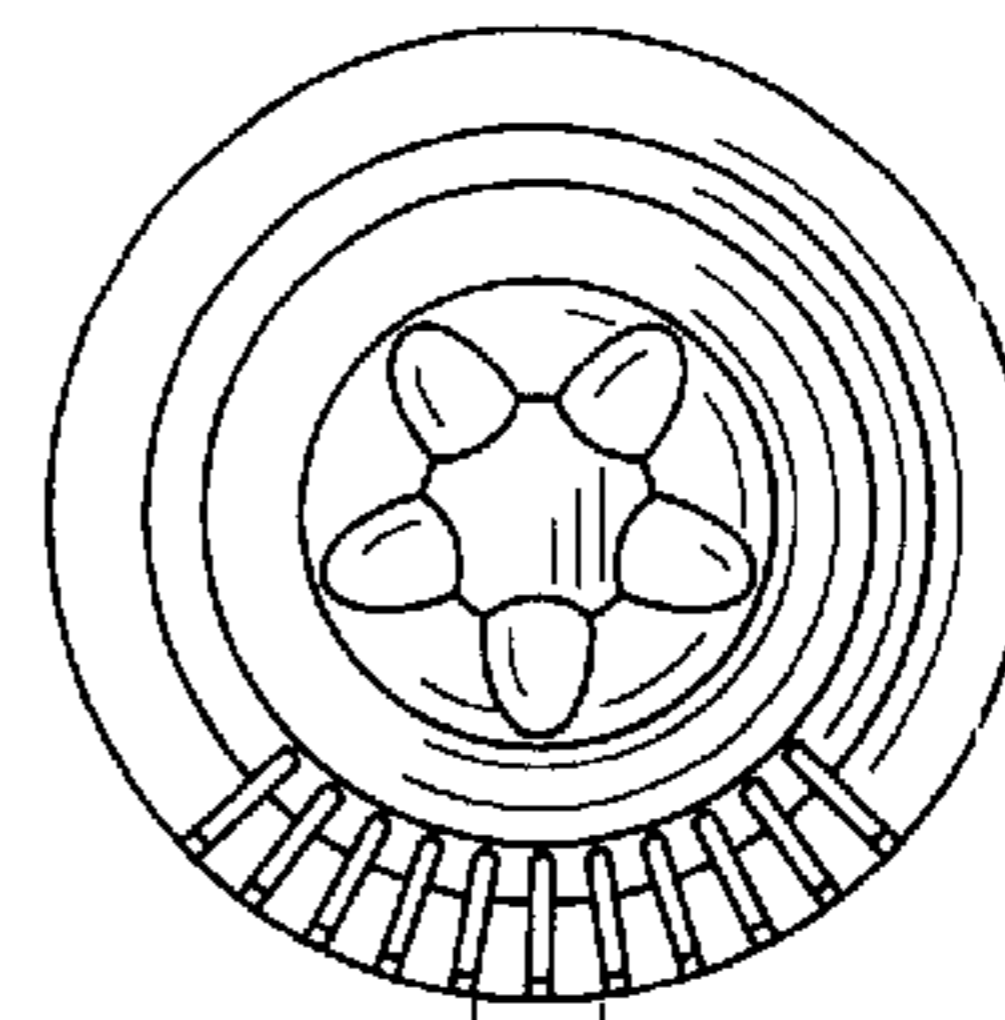


FIG. 4

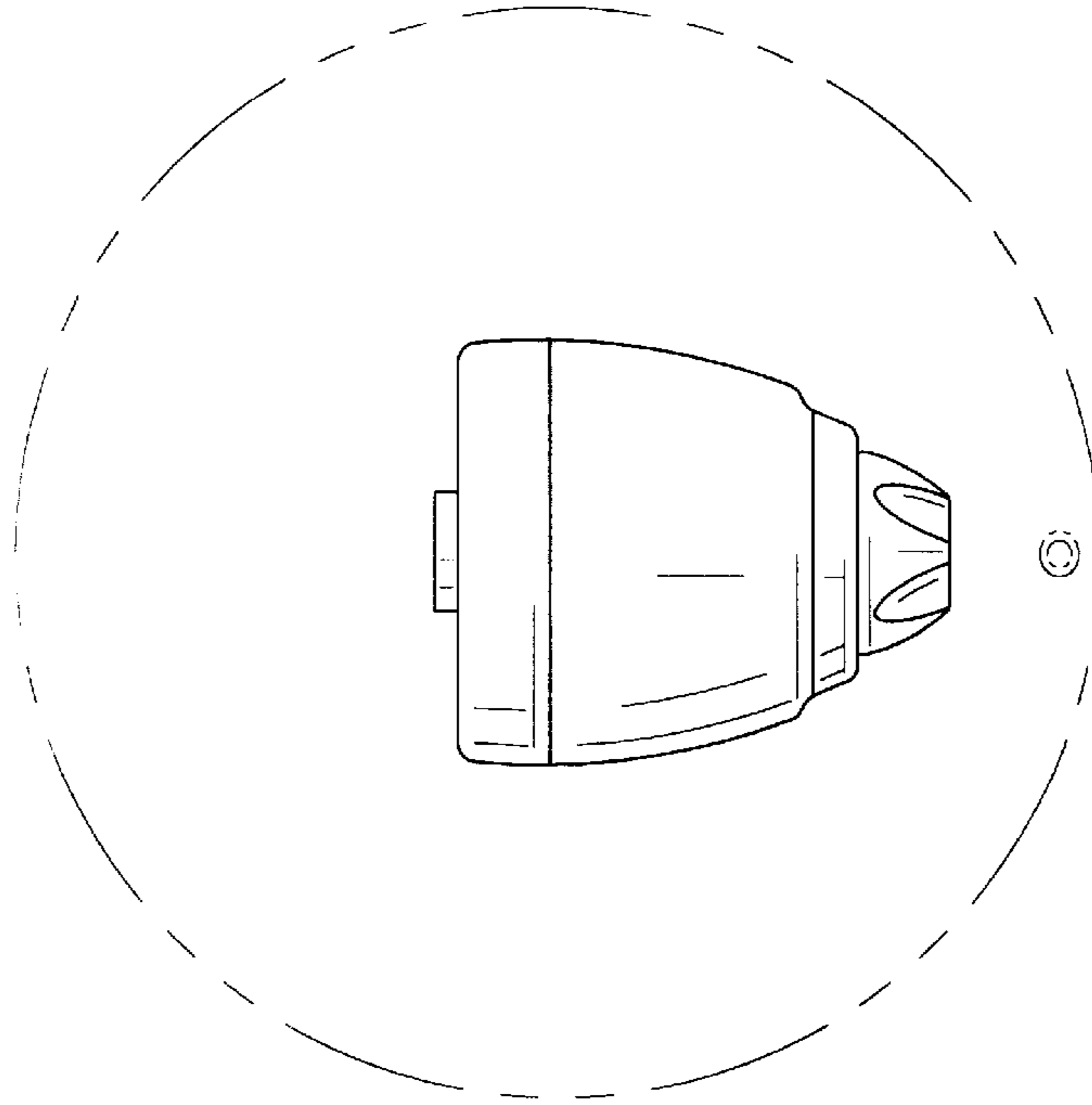


FIG. 5

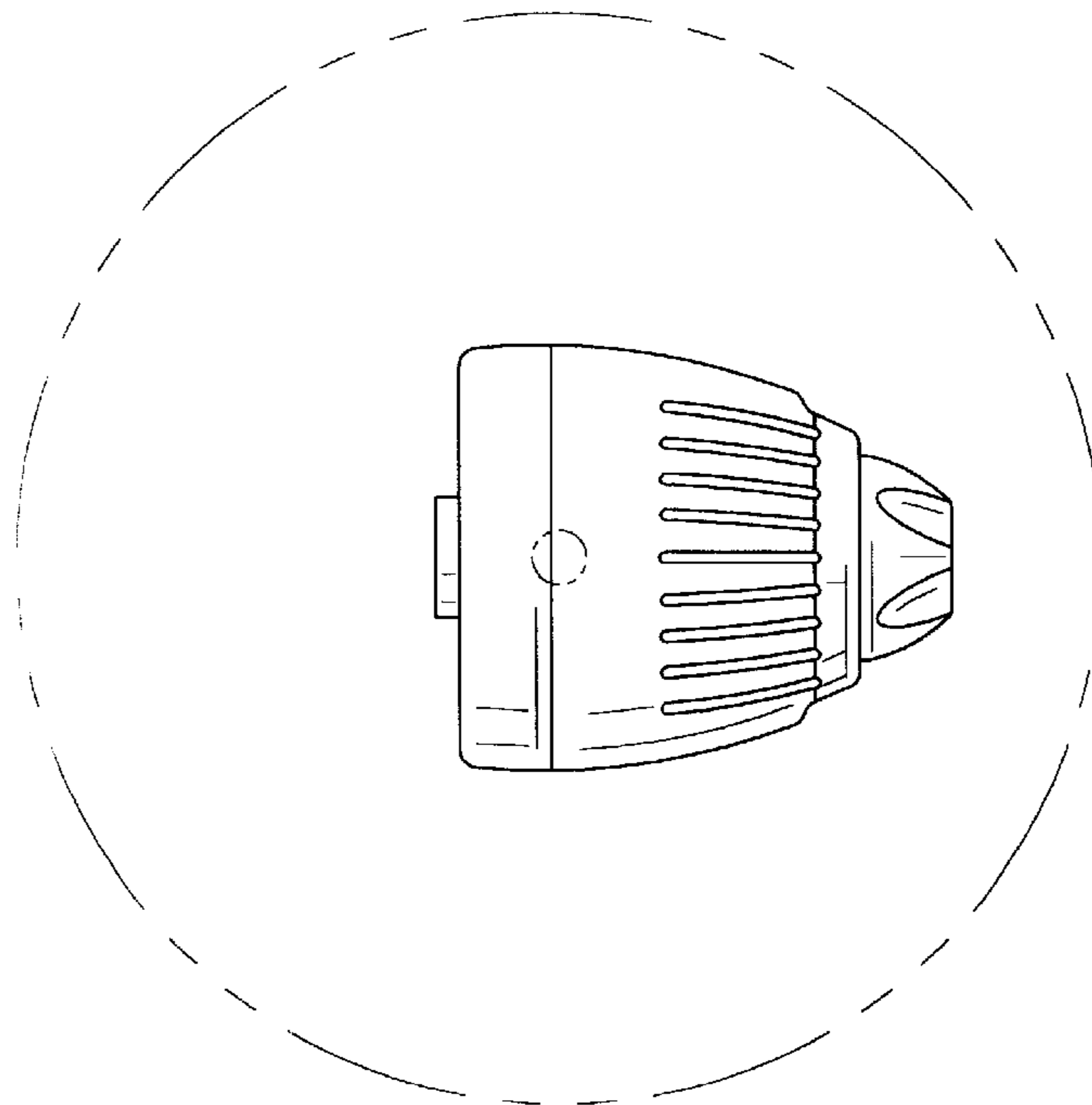


FIG. 6