



US00D472197S

(12) **United States Design Patent**  
**Clark**

(10) **Patent No.:** **US D472,197 S**

(45) **Date of Patent:** **\*\* Mar. 25, 2003**

(54) **SPOKE NIPPLE**

(76) **Inventor:** **Lee K. Clark**, 13532 Sandhurst Pl.,  
Santa Ana, CA (US) 92705

(\*\*) **Term:** **14 Years**

(21) **Appl. No.:** **29/151,359**

(22) **Filed:** **Dec. 3, 2001**

(51) **LOC (7) Cl.** ..... **12-16**

(52) **U.S. Cl.** ..... **D12/213**

(58) **Field of Search** ..... D12/213, 400,  
D12/204, 114; 301/37.1, 64.1, 55-58, 35,  
62, 104, 59-61; 411/427, 431, 374, 405,  
432, 533, 302; 446/404; 81/124.2, 124.4,  
DIG. 7; 29/894.33

(56) **References Cited**

**U.S. PATENT DOCUMENTS**

D14,558 S	*	1/1884	Minchin	.....	D12/213
D27,139 S	*	6/1897	Schneider	.....	D12/213
D27,246 S	*	6/1897	Veeder	.....	D12/213
D28,294 S	*	2/1898	Hilderbrand	.....	D12/213
D29,987 S	*	1/1899	Watkins	.....	D12/213
D34,971 S	*	8/1901	Rector	.....	D12/213
D35,244 S	*	10/1901	Jackson	.....	D12/213

5,673,976 A		10/1997	Hillis et al.	
5,769,584 A	*	6/1998	Claes	..... 301/58 X
6,189,978 B1	*	2/2001	Lacombe et al.	..... 301/104
6,205,664 B1	*	3/2001	Cappellotto	..... 29/894.33
6,357,981 B1	*	3/2002	Lanham et al.	..... 411/431
D460,398 S	*	7/2002	Berry et al.	..... D12/213

\* cited by examiner

*Primary Examiner*—Stacia Cadmus

(74) *Attorney, Agent, or Firm*—Stetina Brunda Garred & Brucker

(57) **CLAIM**

The ornamental design for a spoke nipple, as shown and described.

**DESCRIPTION**

FIG. 1 is a perspective view illustrating multiple spoke nipples of the present invention, with the phantom lines depicting environmental structure and forming no part of the claimed design;

FIG. 2 is an enlarged perspective view of the spoke nipple of the present invention;

FIG. 3 is a side elevational view of FIG. 2;

FIG. 4 is a left end view of FIG. 2; and,

FIG. 5 is a right end view of FIG. 2.

**1 Claim, 1 Drawing Sheet**

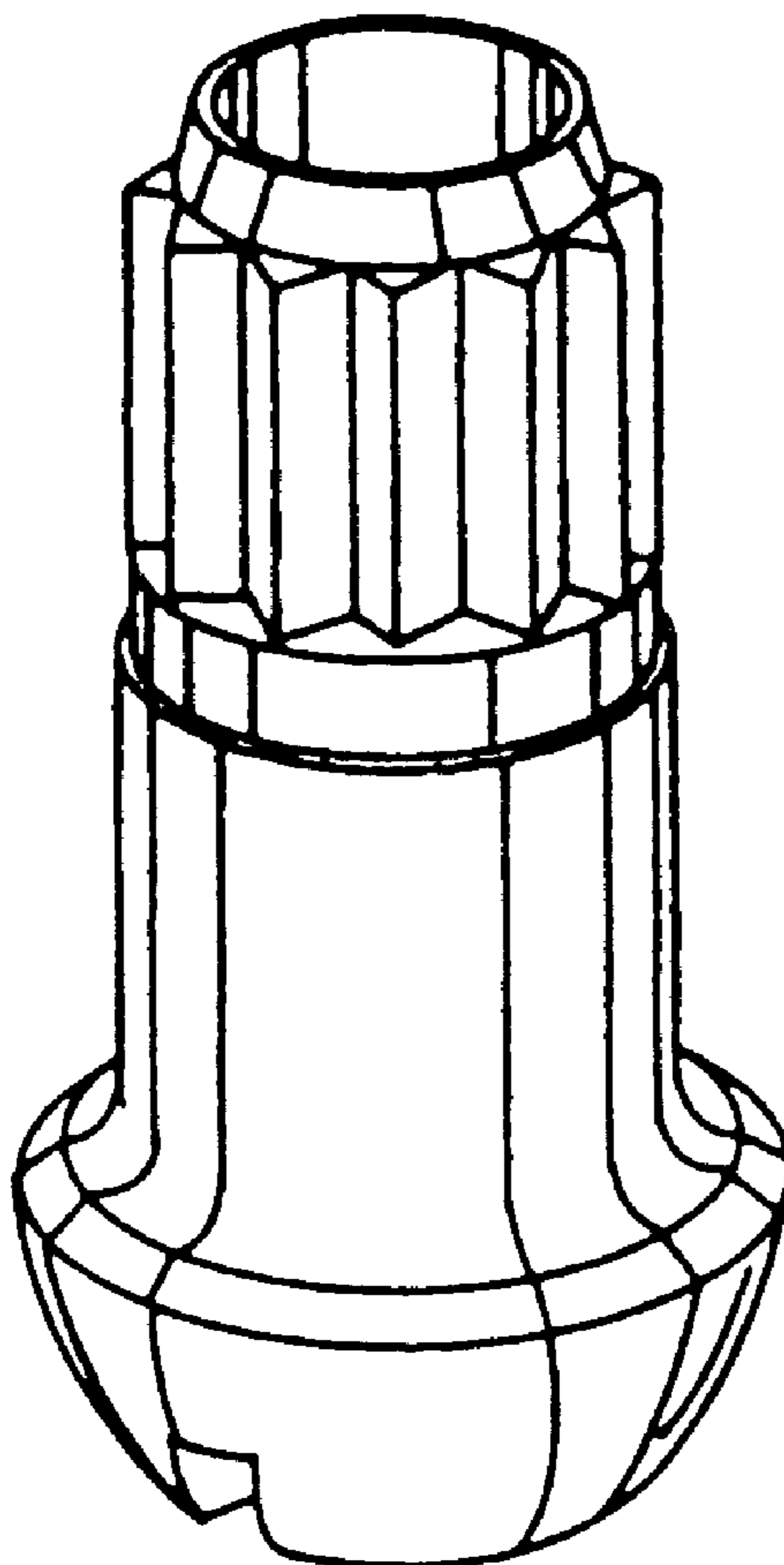


Fig. 1

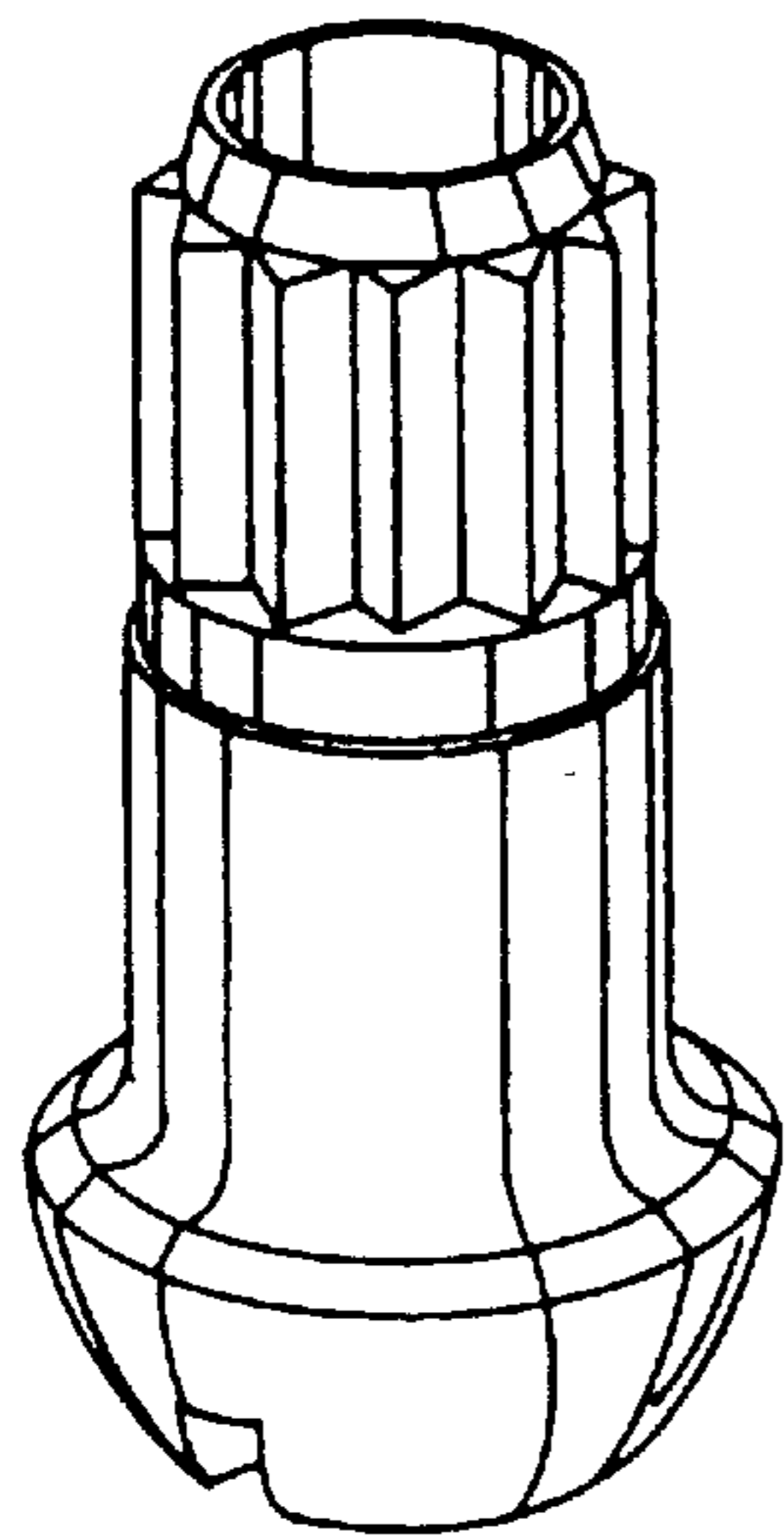
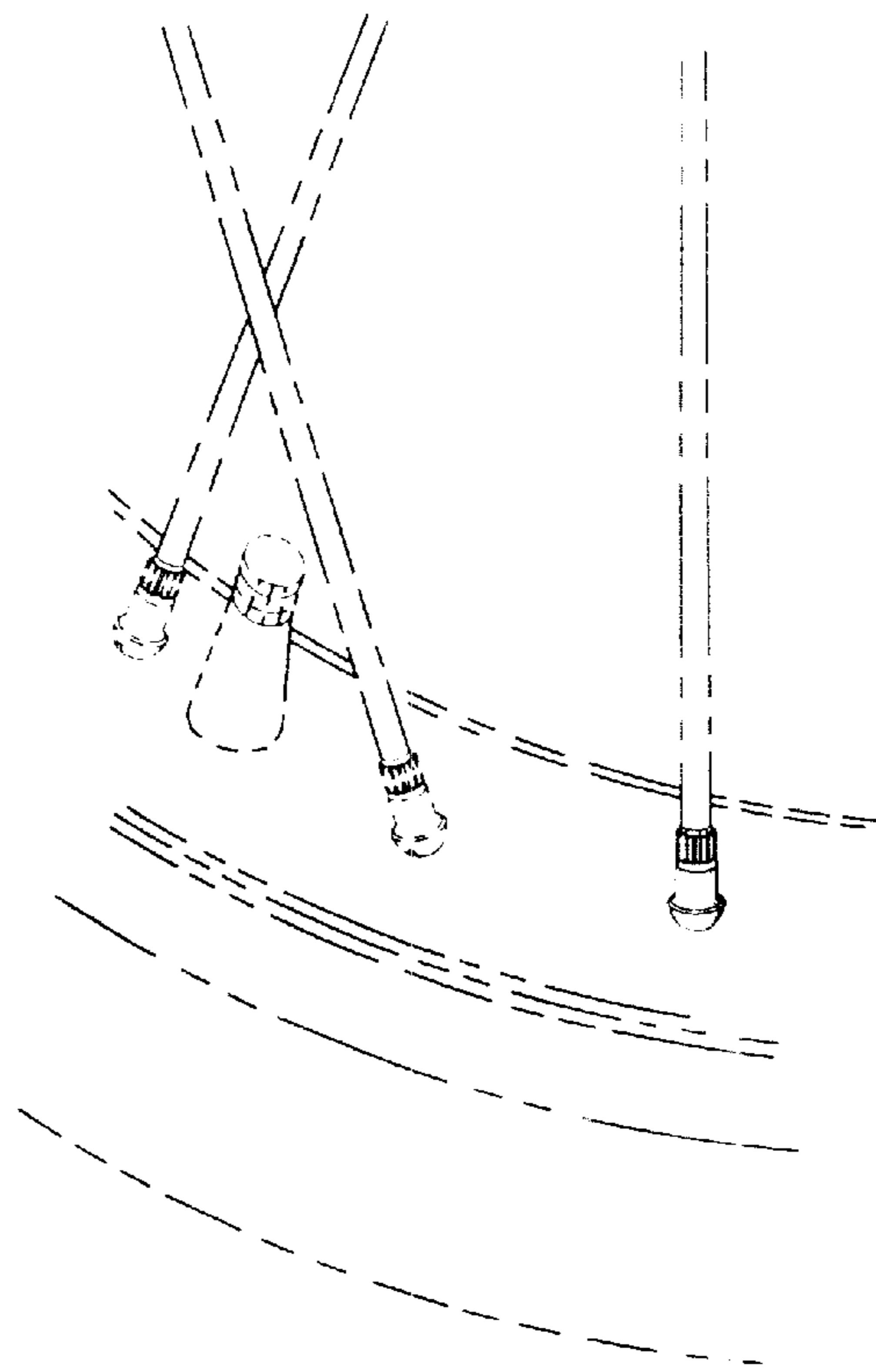


Fig. 2

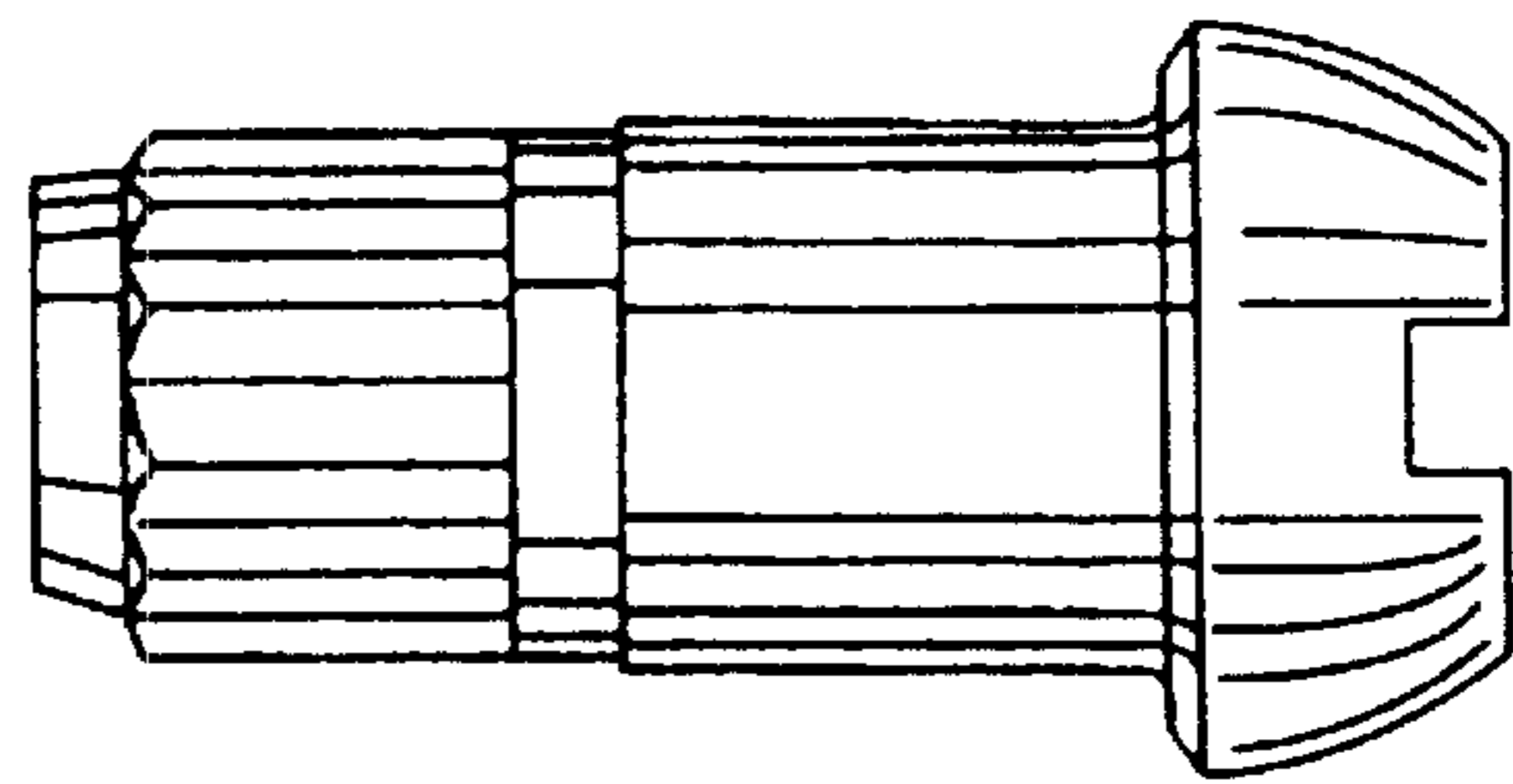


Fig. 3

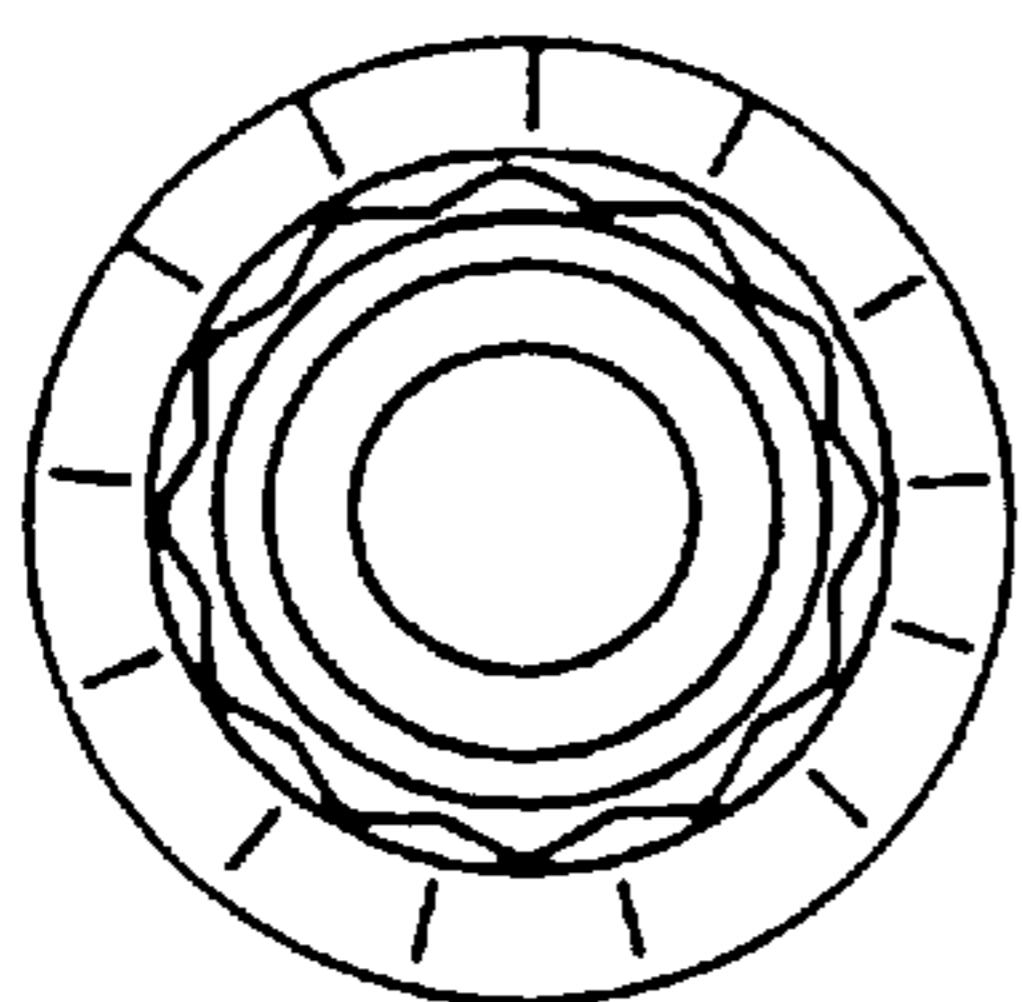


Fig. 4

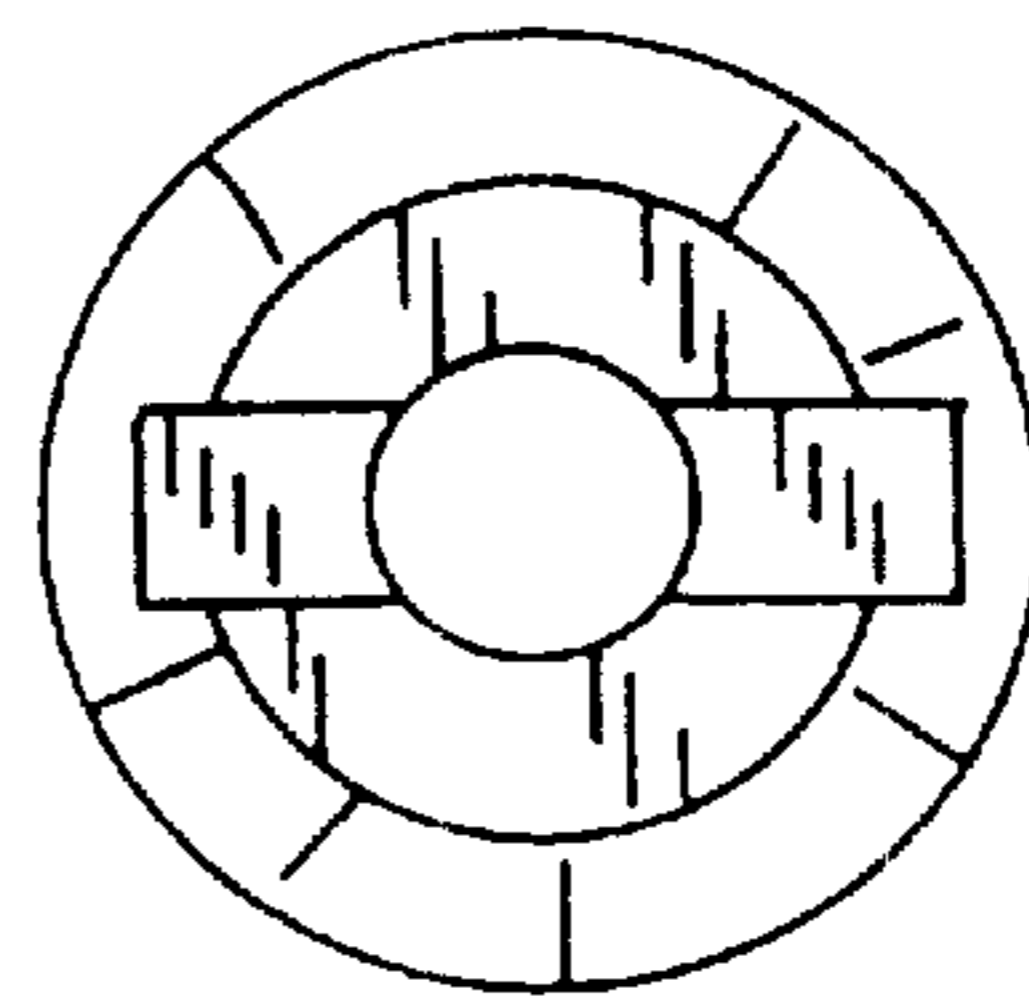


Fig. 5