



US00D472195S

(12) **United States Design Patent**
Okumoto et al.

(10) **Patent No.:** **US D472,195 S**

(45) **Date of Patent:** **** Mar. 25, 2003**

(54) **FRONT FENDER OF AN AUTOMOBILE**

(75) Inventors: **Toshiyuki Okumoto, Wako (JP);**
Hirotsugu Nogami, Wako (JP);
Hideyuki Ikeda, Wako (JP); Yasuo
Imagawa, Wako (JP)

(73) Assignee: **Honda Giken Kogyo Kabushiki**
Kaisha, Tokyo (JP)

(**) Term: **14 Years**

(21) Appl. No.: **29/162,958**

(22) Filed: **Jun. 26, 2002**

(30) **Foreign Application Priority Data**

Dec. 27, 2001 (JP) 2001-038588

(51) **LOC (7) Cl.** **12-16**

(52) **U.S. Cl.** **D12/196**

(58) **Field of Search** D12/196, 184,
D12/90-92; 296/185

(56) **References Cited**

U.S. PATENT DOCUMENTS

D416,842 S * 11/1999 Gabath D12/196

D417,424 S * 12/1999 Horbury et al. D12/196

D426,802 S * 6/2000 Sacco et al. D12/196

D447,458 S * 9/2001 Eum D12/196

* cited by examiner

Primary Examiner—Melody N. Brown

(74) *Attorney, Agent, or Firm*—Arent Fox Kintner Plotkin
& Kahn, PLLC

(57) **CLAIM**

The ornamental design for a front fender of an automobile,
as shown and described in FIGS. 1-7.

DESCRIPTION

FIG. 1 is a front view of a front fender of an automobile
showing our new design.

FIG. 2 is a rear view thereof.

FIG. 3 is a plan view thereof.

FIG. 4 is a bottom view thereof.

FIG. 5 is a right side view thereof.

FIG. 6 is a left side view thereof; and,

FIG. 7 is a perspective view thereof.

1 Claim, 4 Drawing Sheets

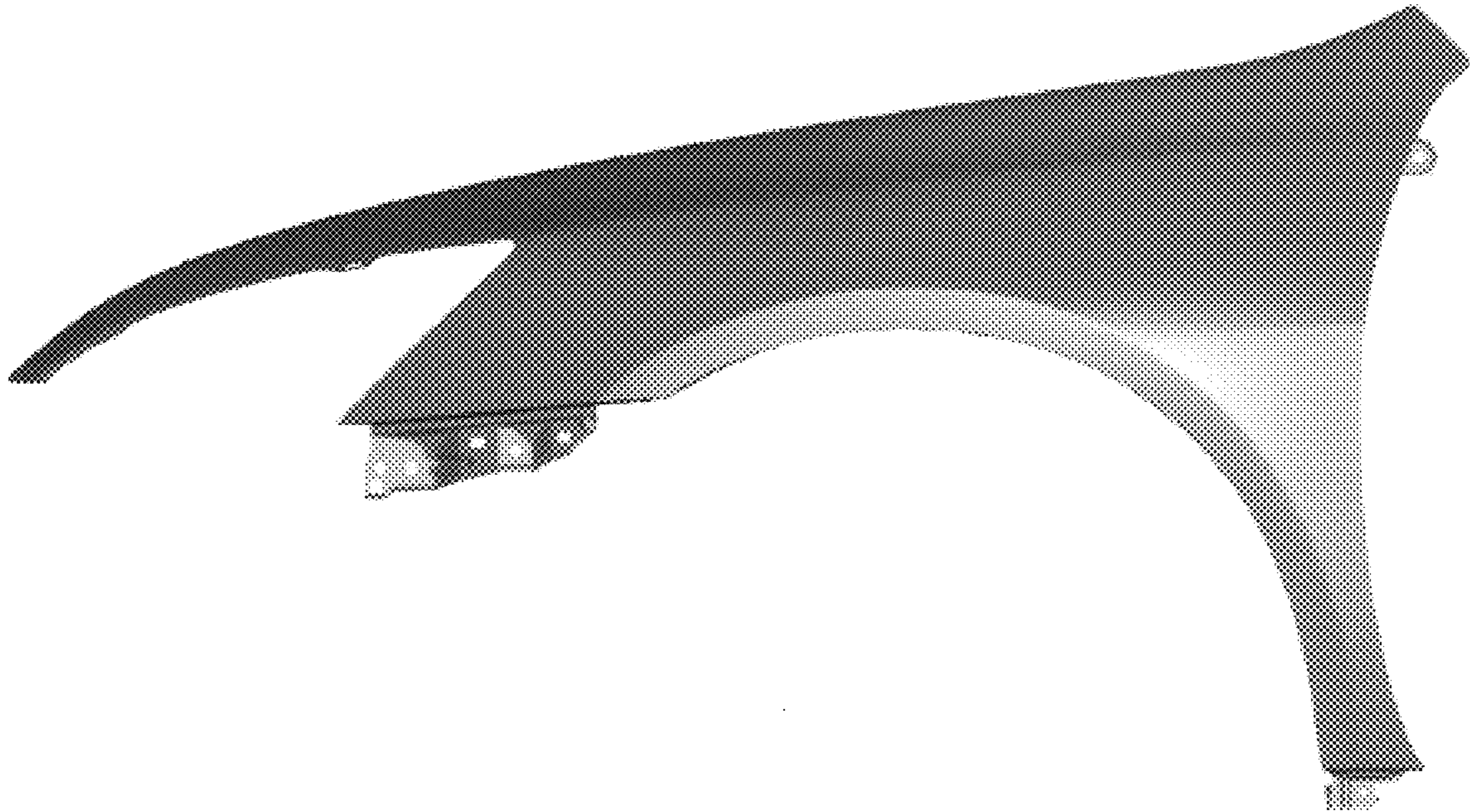


FIG.1

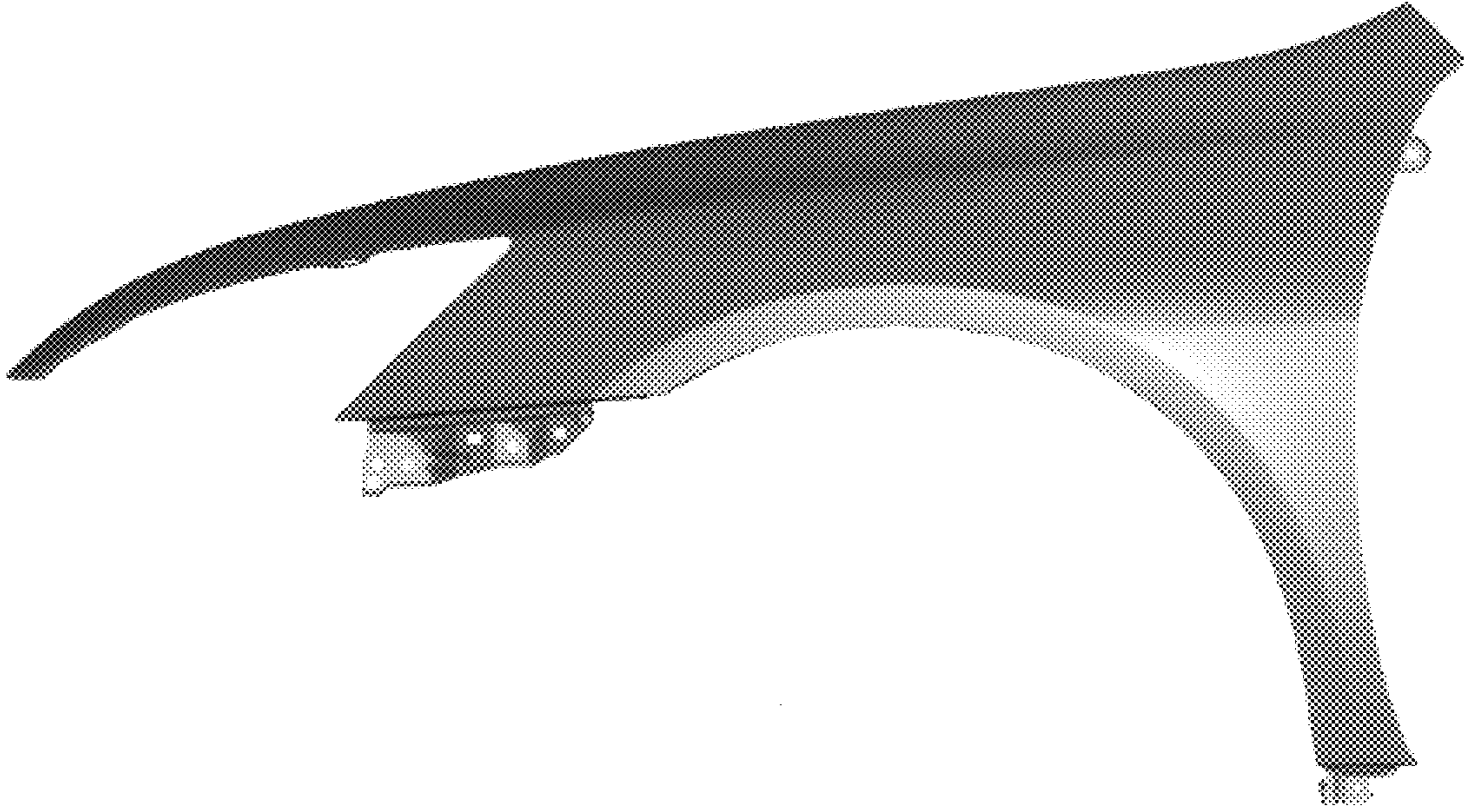


FIG.2

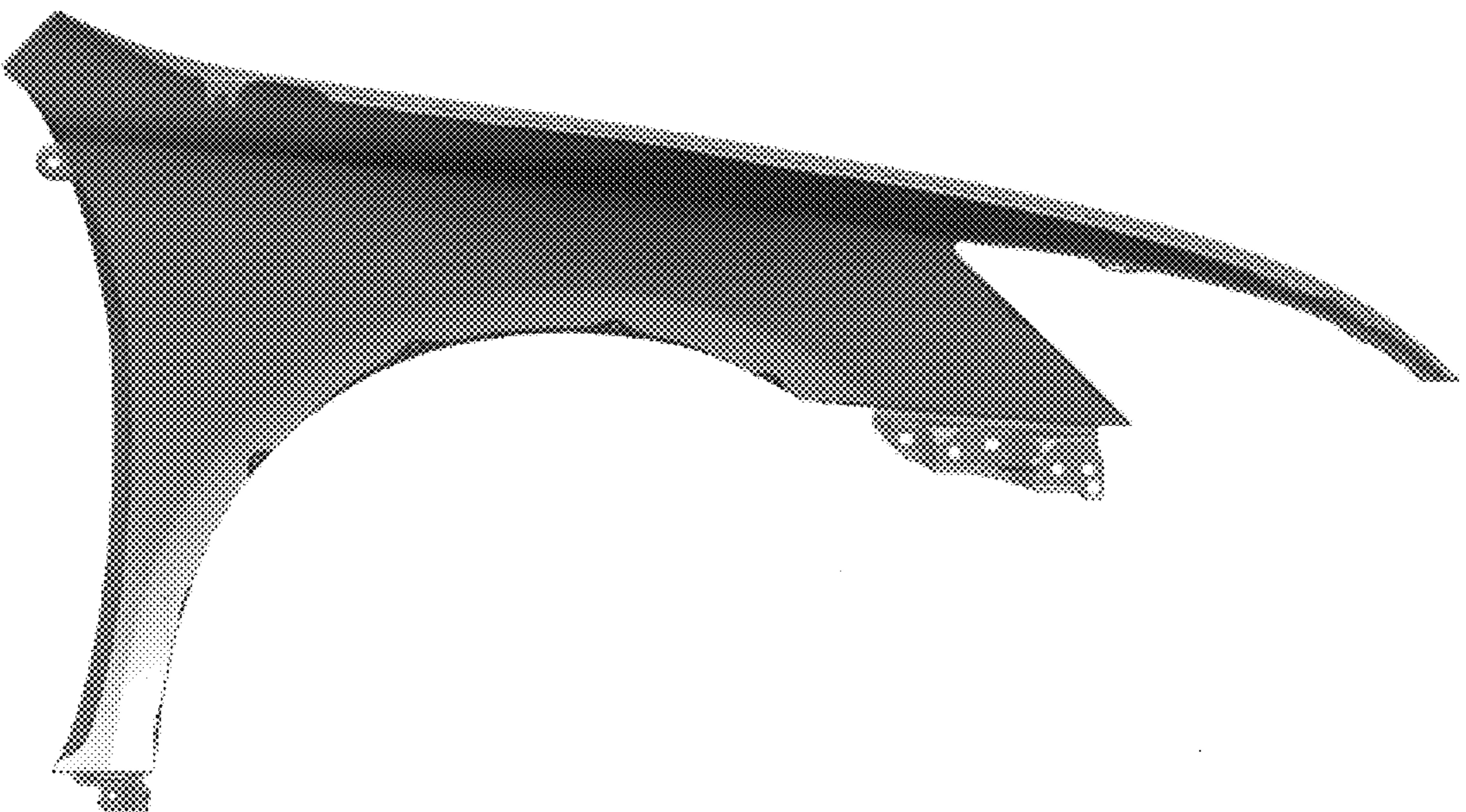


FIG.3

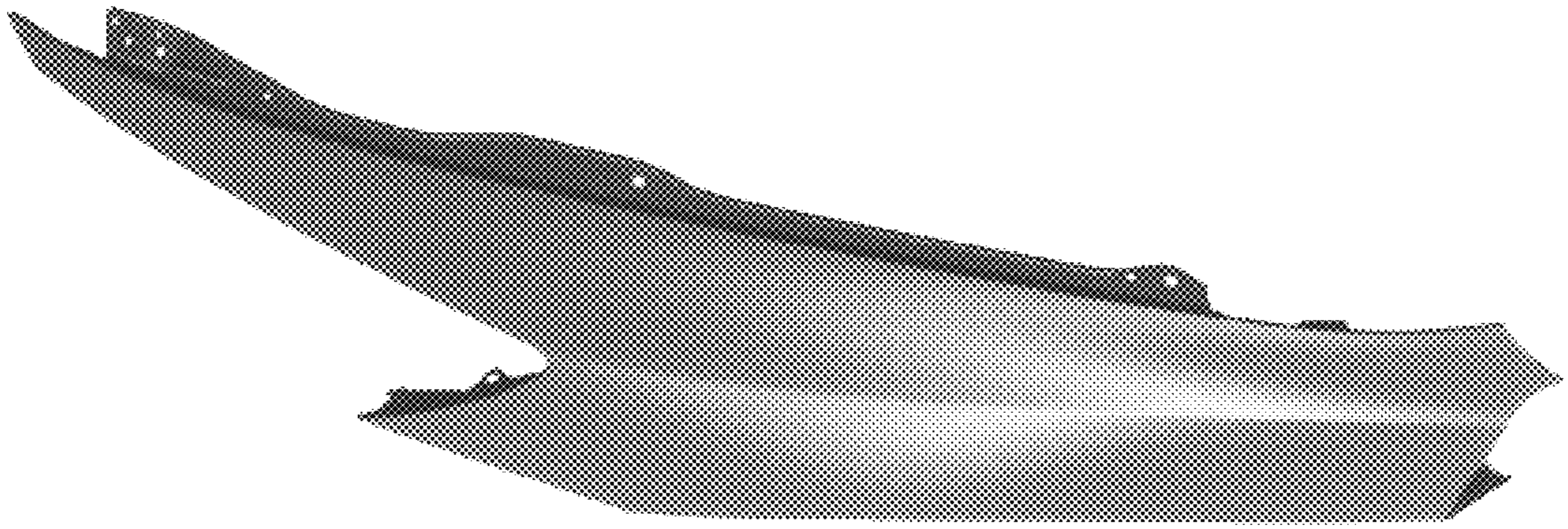


FIG.4

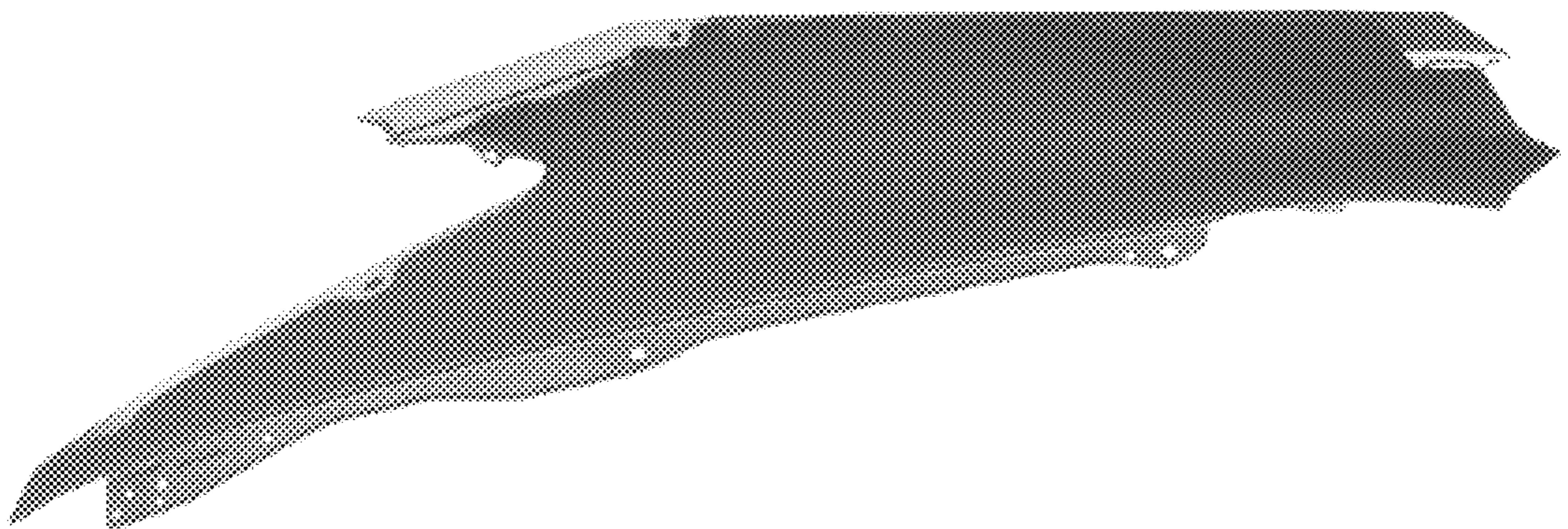


FIG.5

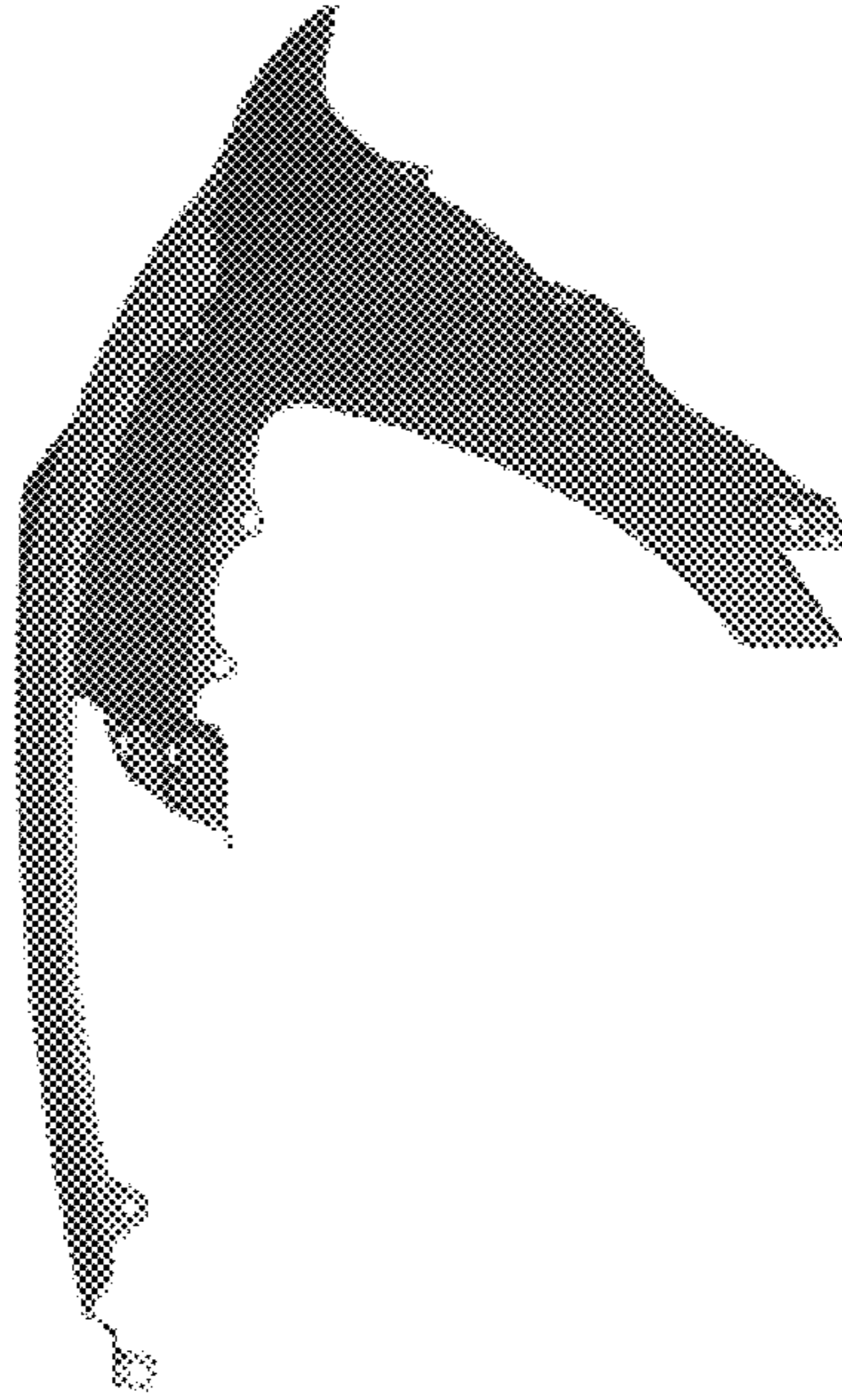


FIG.6

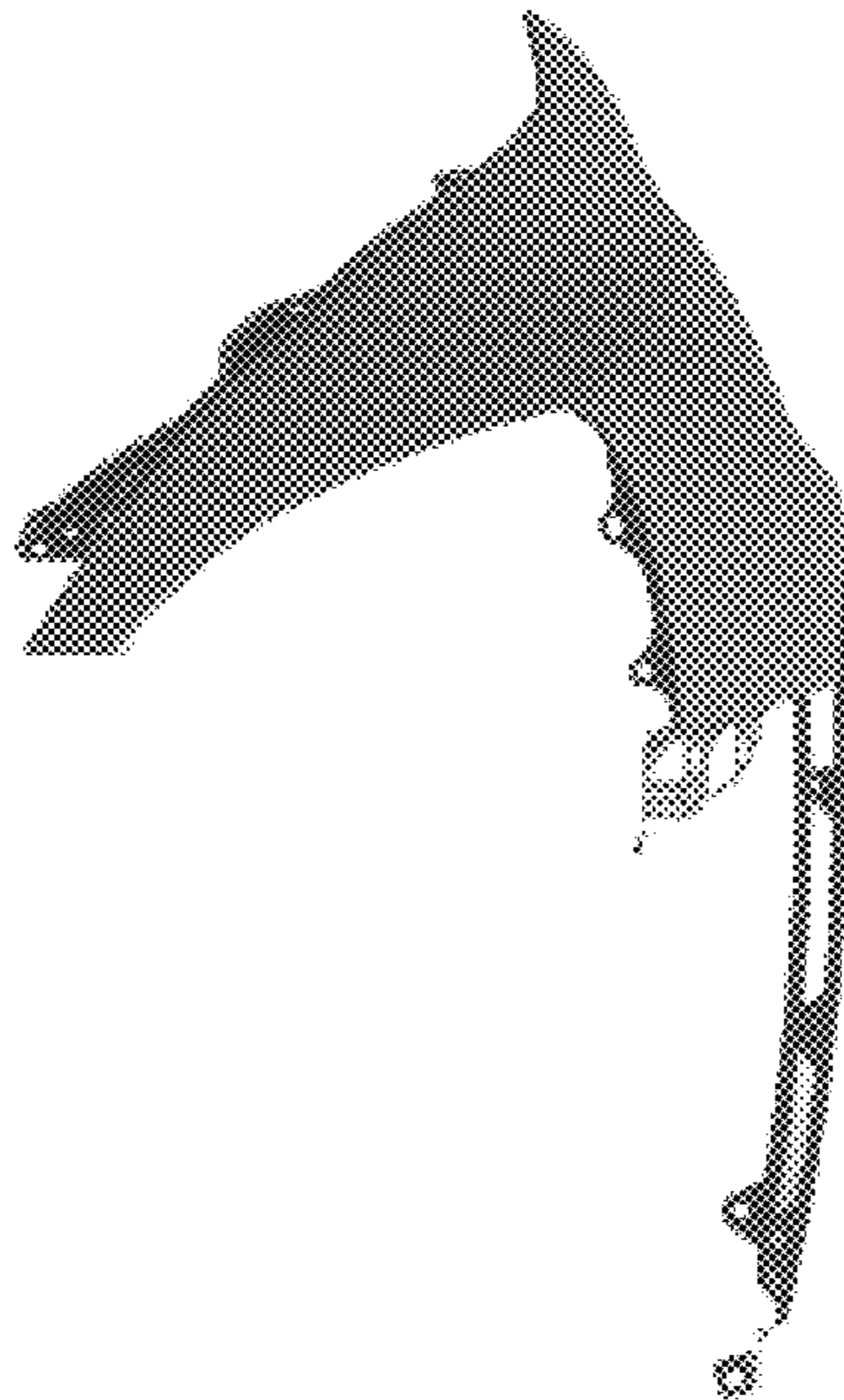


FIG.7

