



US00D472193S

(12) **United States Design Patent**
Sinkwitz

(10) **Patent No.:** **US D472,193 S**

(45) **Date of Patent:** **** Mar. 25, 2003**

(54) **SURFACE CONFIGURATION OF A REAR FENDER FOR A VEHICLE**

Primary Examiner—Melody N. Brown
(74) *Attorney, Agent, or Firm*—Crowell & Moring LLP

(75) **Inventor:** **Hartmut Sinkwitz, Stuttgart (DE)**

(57) **CLAIM**

(73) **Assignee:** **DaimlerChrysler AG, Stuttgart (DE)**

The ornamental design for a surface configuration of a rear fender for a vehicle, as shown and described.

(**) **Term:** **14 Years**

(21) **Appl. No.:** **29/129,130**

DESCRIPTION

(22) **Filed:** **Sep. 8, 2000**

This application is related to co-pending application Ser. No. 29/129,138, of the inventor, filed on even date herewith and entitled "Surface Configuration of a Vehicle and Toy"

(51) **LOC (7) Cl.** **12-16**

(52) **U.S. Cl.** **D12/196; D12/184**

(58) **Field of Search** **D12/196, 90-92; 296/185, 186, 183**

FIG. 1 is a front view of a surface configuration of a rear fender for a vehicle according to my novel design;

FIG. 2 is a perspective view of the surface configuration of a rear fender for a vehicle according to my novel design; and,

FIG. 3 is a perspective view of the surface configuration of a rear fender for a vehicle according to my novel design.

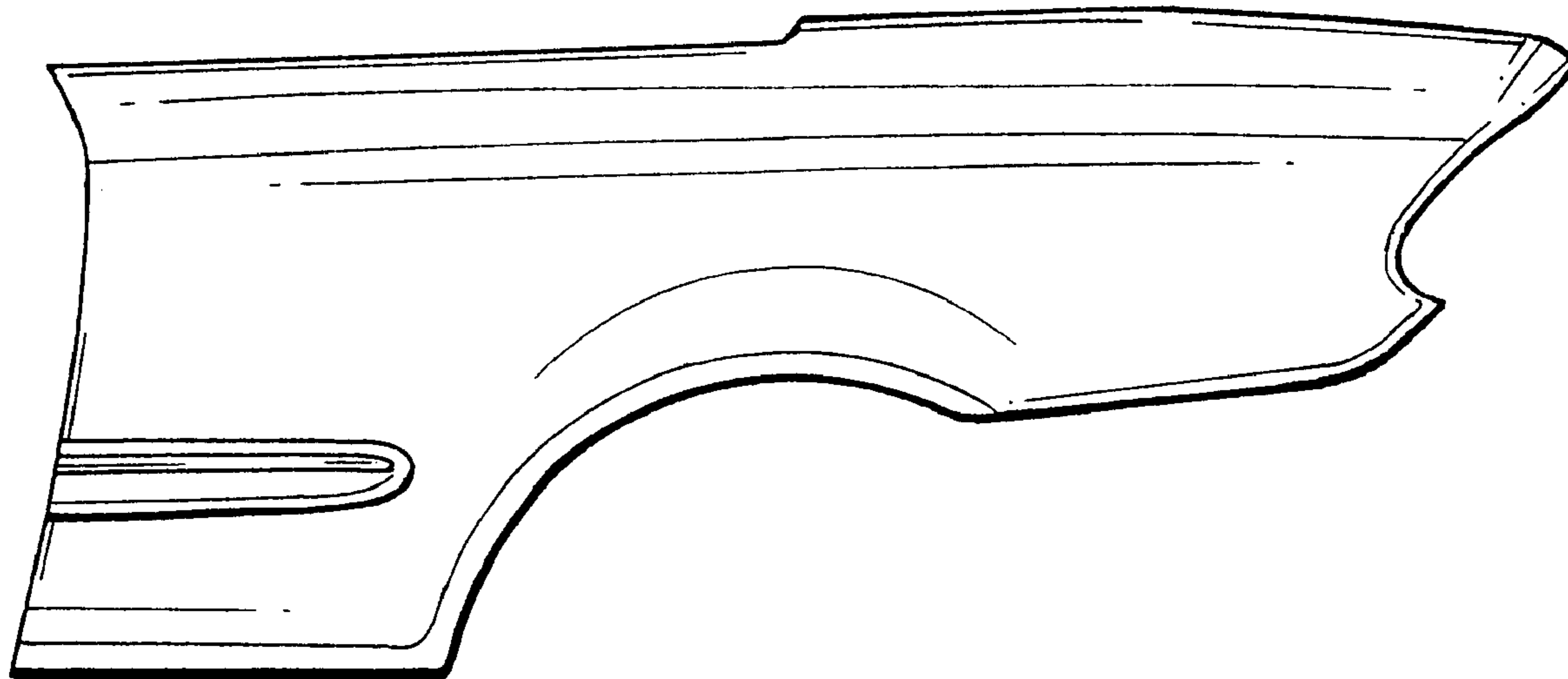
(56) **References Cited**

U.S. PATENT DOCUMENTS

D391,911 S	*	3/1998	Lagaay et al.	D12/196
D416,842 S	*	11/1999	Gabath	D12/196
D447,458 S	*	9/2001	Eum	D12/196
D452,469 S	*	12/2001	Sacco et al.	D12/196

* cited by examiner

1 Claim, 1 Drawing Sheet



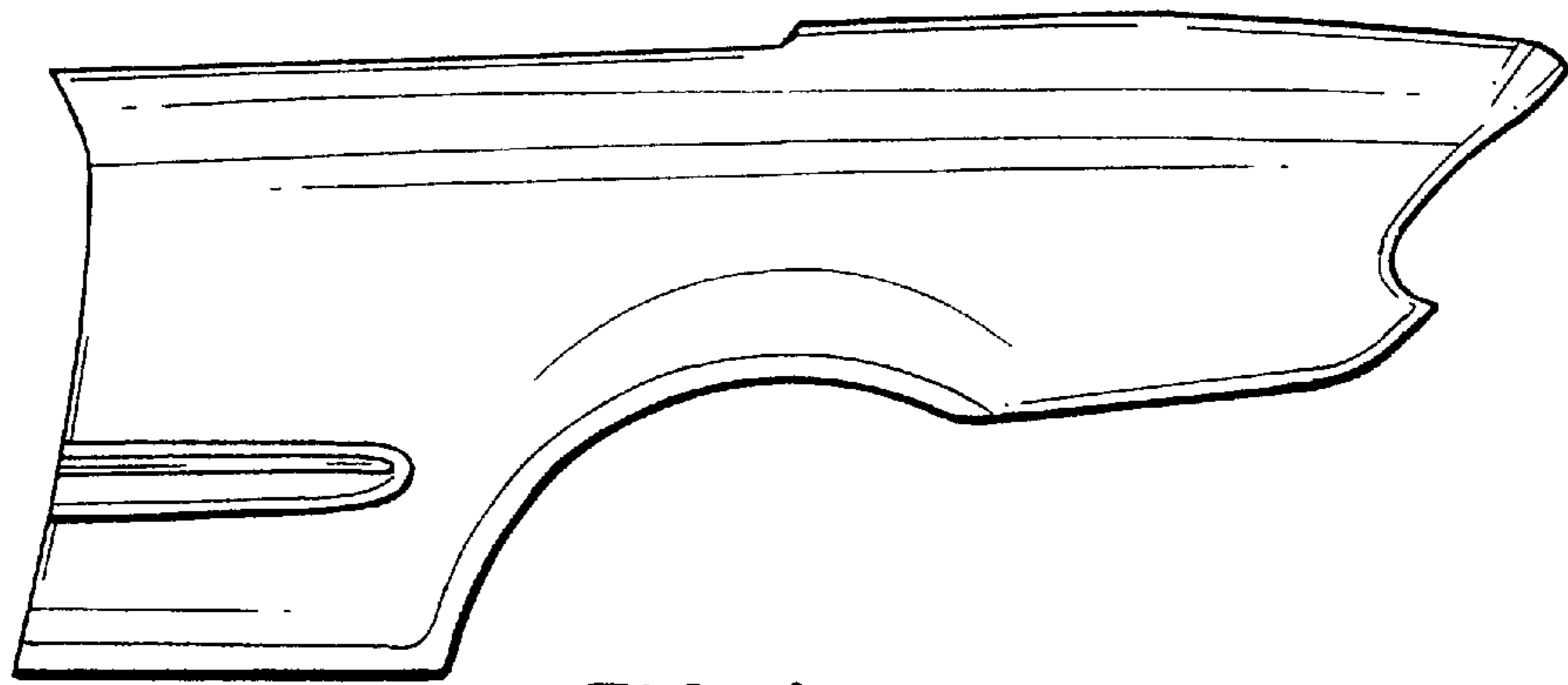


FIG. 1

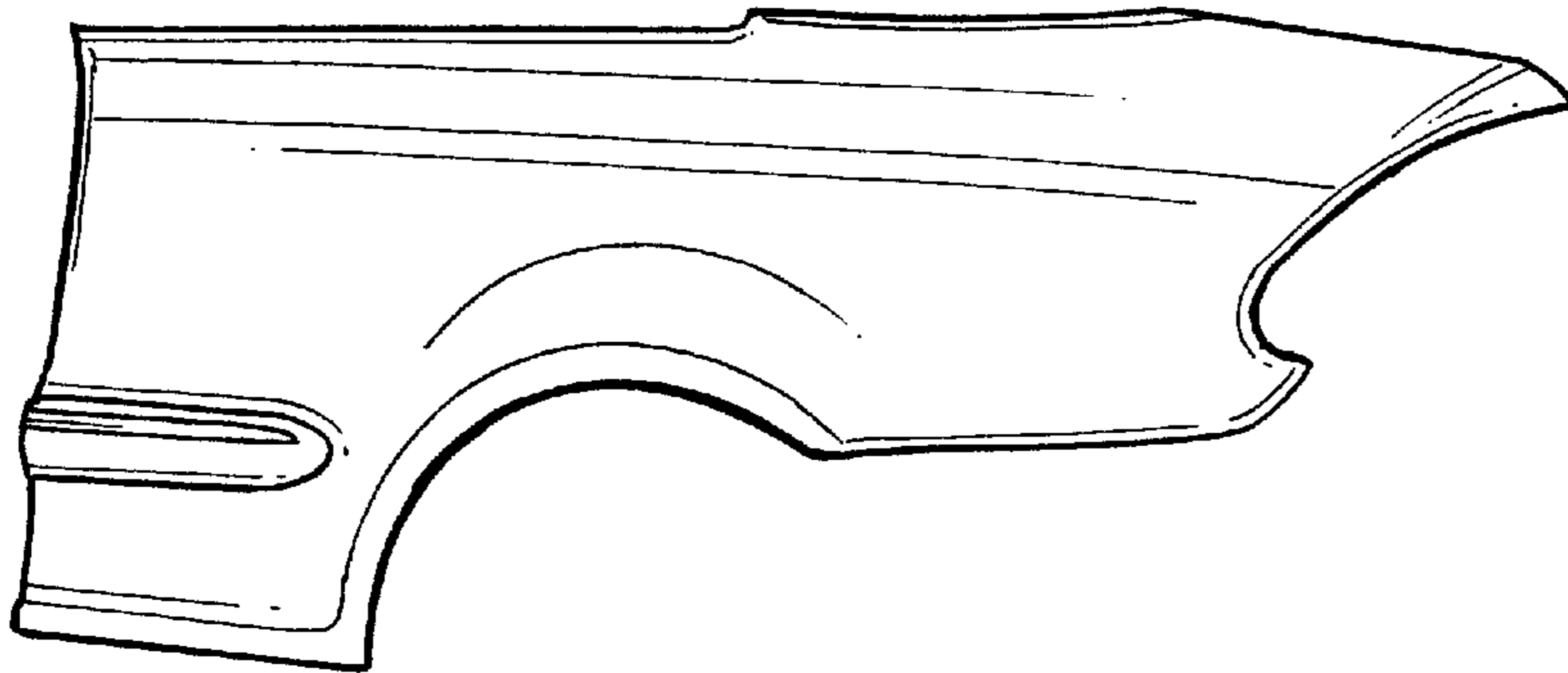


FIG. 2

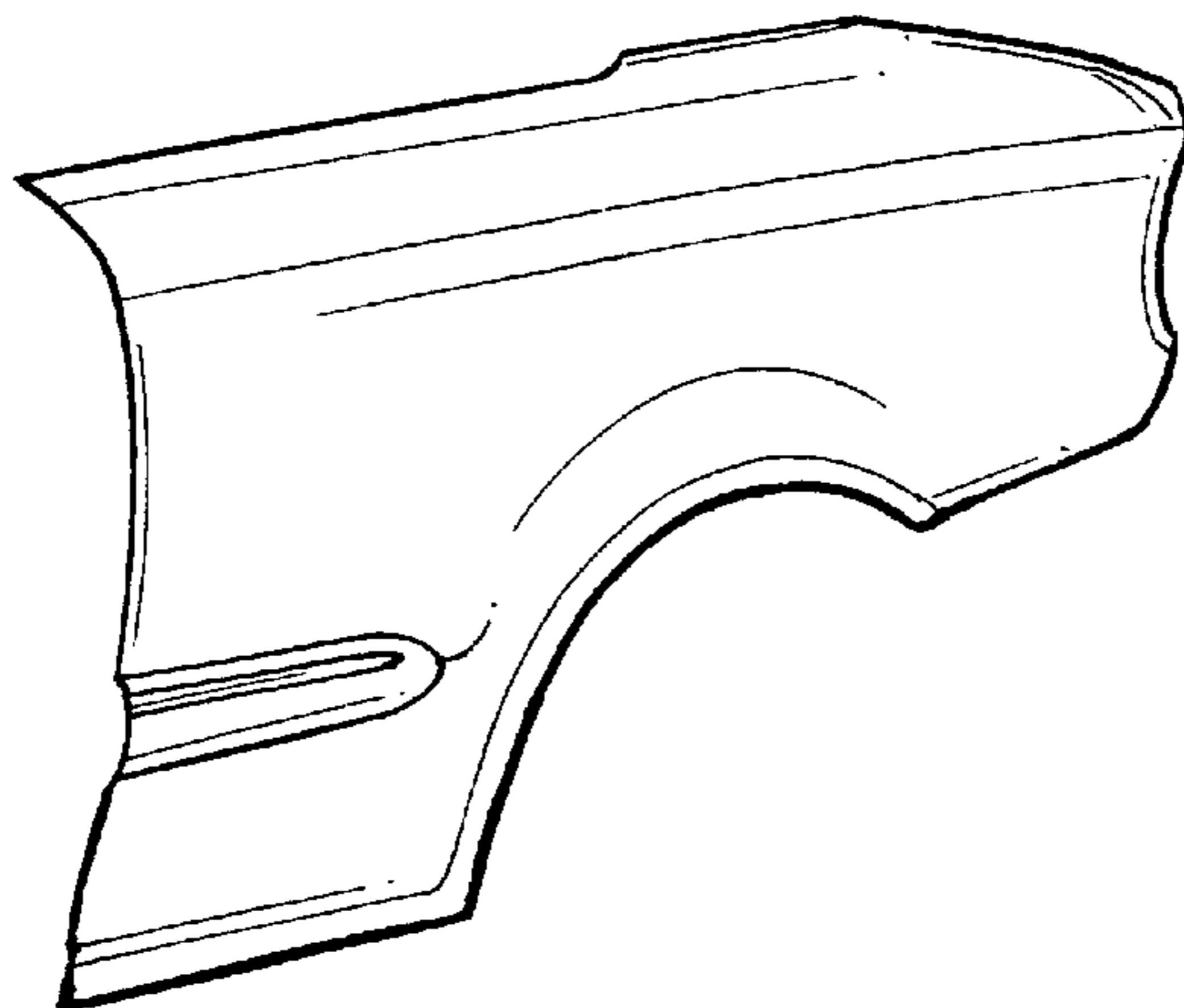


FIG. 3