



US00D472192S

(12) **United States Design Patent**  
**Leveille**

(10) **Patent No.:** **US D472,192 S**

(45) **Date of Patent:** **\*\* Mar. 25, 2003**

(54) **MIRROR**

D458,568 S \* 6/2002 Hook et al. .... D12/187  
D460,934 S \* 7/2002 Richardson .... D12/187

(75) Inventor: **Richard Leveille**, Fort Gratiot, MI (US)

\* cited by examiner

(73) Assignee: **CIPA USA, Inc.**, Port Huron, MI (US)

*Primary Examiner*—Melody N. Brown

(\*\*) Term: **14 Years**

(74) *Attorney, Agent, or Firm*—Gifford, Krass, Groh, Sprinkle, Anderson & Citkowski, P.C.

(21) Appl. No.: **29/161,742**

(57) **CLAIM**

(22) Filed: **Jun. 4, 2002**

The ornamental design for a mirror, as shown and described.

(51) **LOC (7) Cl.** ..... **12-16**

**DESCRIPTION**

(52) **U.S. Cl.** ..... **D12/187**

(58) **Field of Search** ..... D12/187-188;  
359/383-850, 868-881; 248/475.1-481

FIG. 1 is a front elevational view of a mirror showing my new design;

FIG. 2 is a rear elevational view thereof;

FIG. 3 is a top plan view thereof;

FIG. 4 is a bottom plan view thereof; and,

FIG. 5 is a side elevational view thereof.

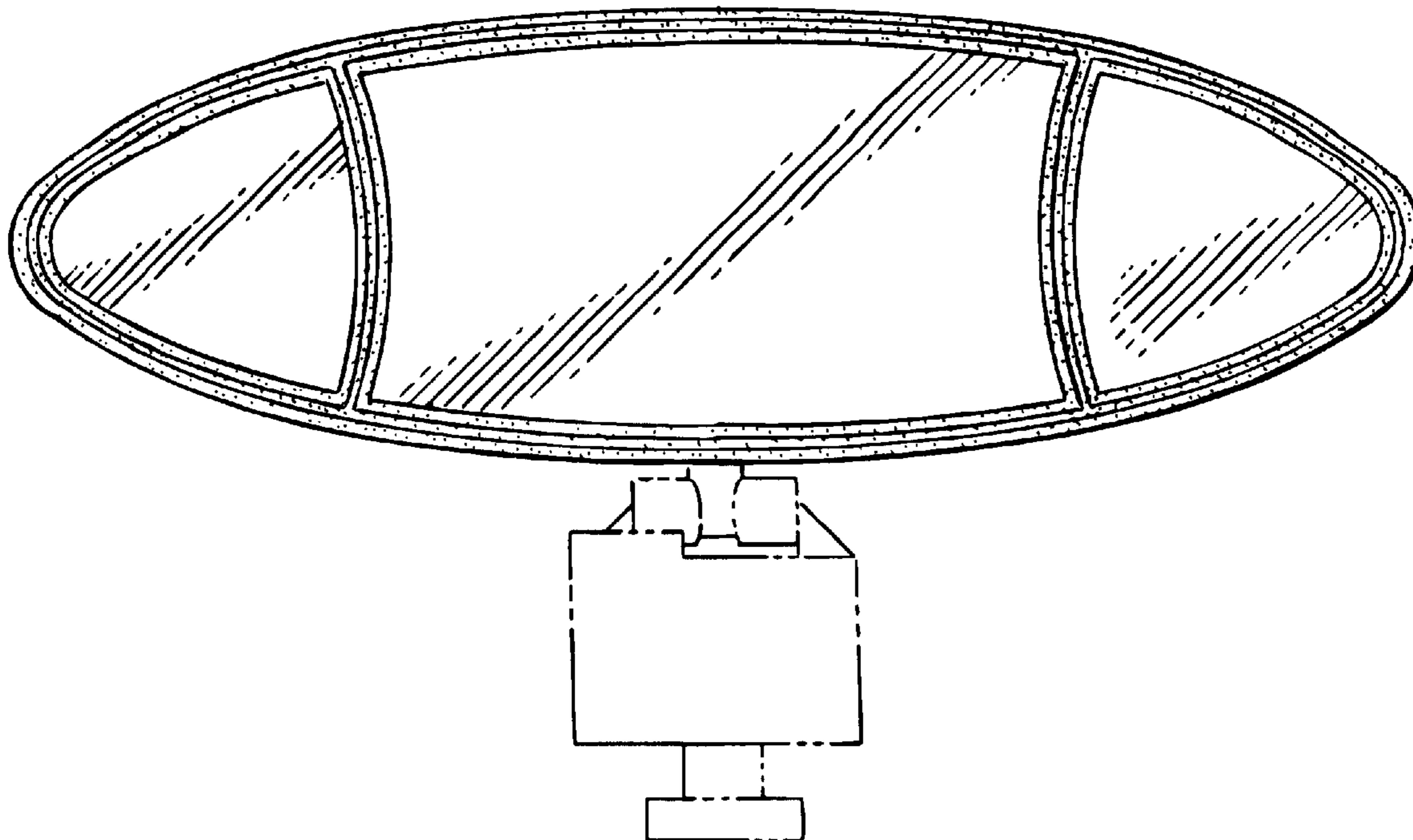
The broken lines shown throughout the drawing views are for illustrative purposes only and form no part of the claim design.

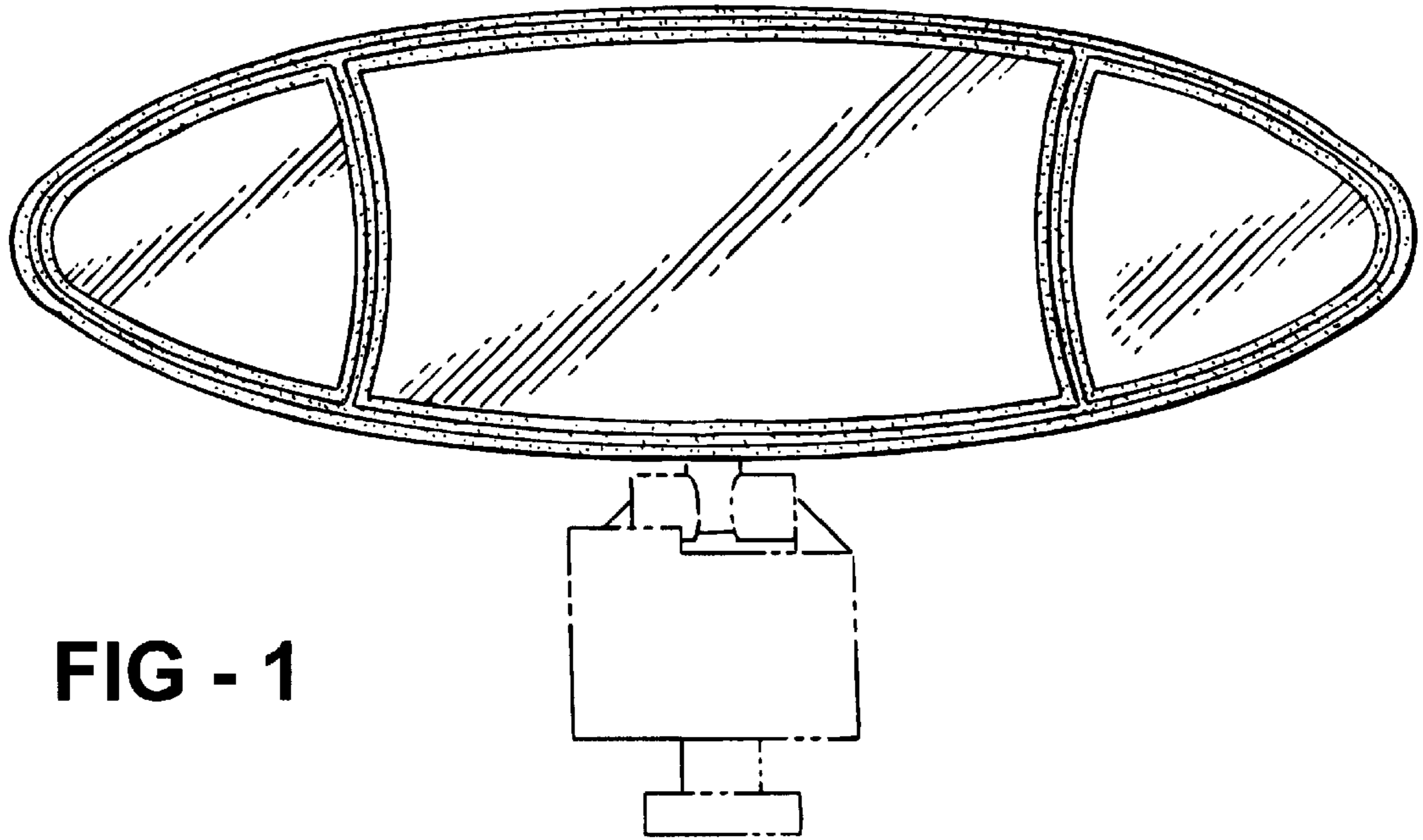
(56) **References Cited**

**U.S. PATENT DOCUMENTS**

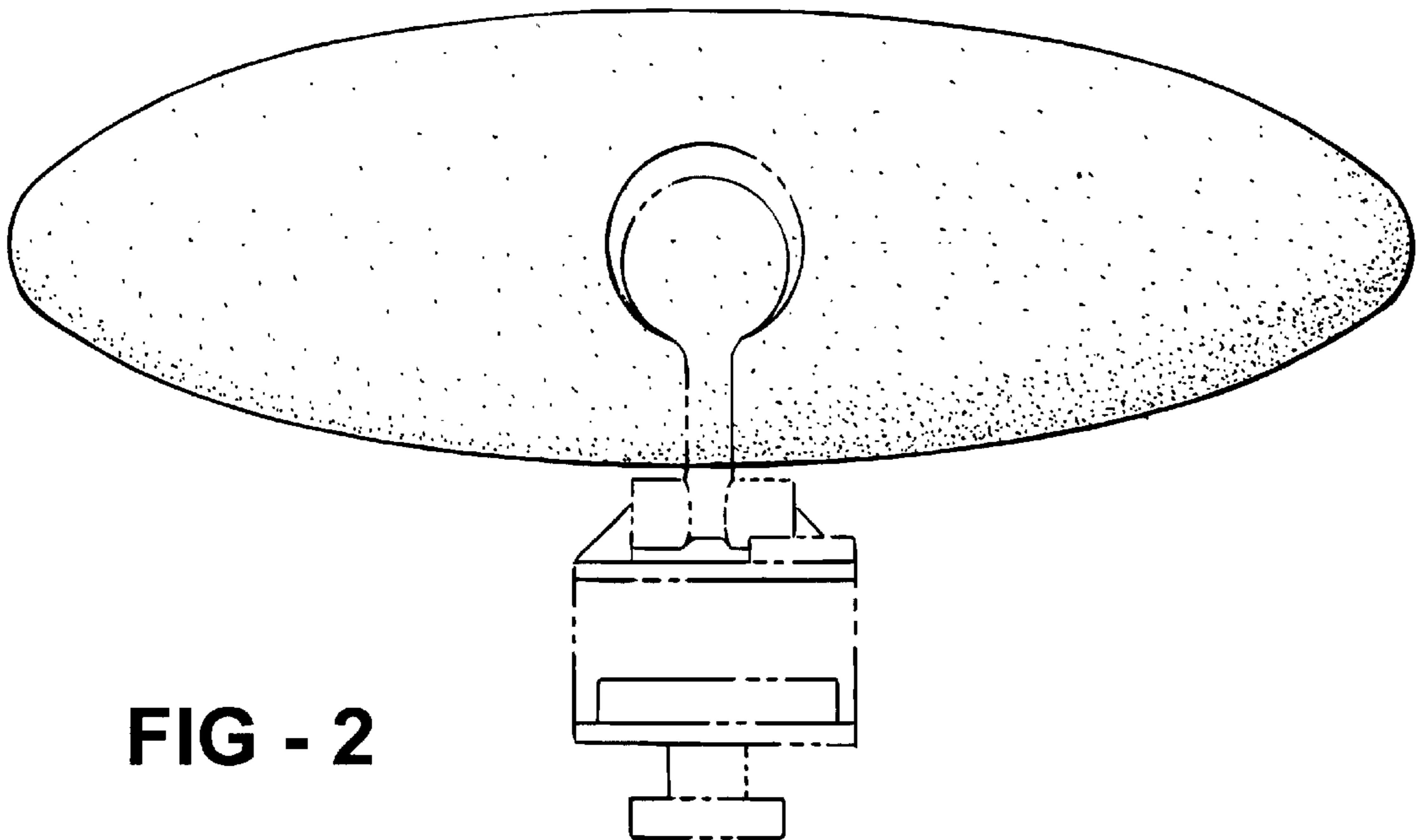
- D391,542 S \* 3/1998 Feighan ..... D12/187
- D397,072 S \* 8/1998 Hellhake et al. .... D12/187
- D418,788 S \* 1/2001 Iacovelli et al. .... D12/187
- D449,261 S \* 10/2001 Englander ..... D12/187
- D451,456 S \* 12/2001 Santo ..... D12/187

**1 Claim, 2 Drawing Sheets**

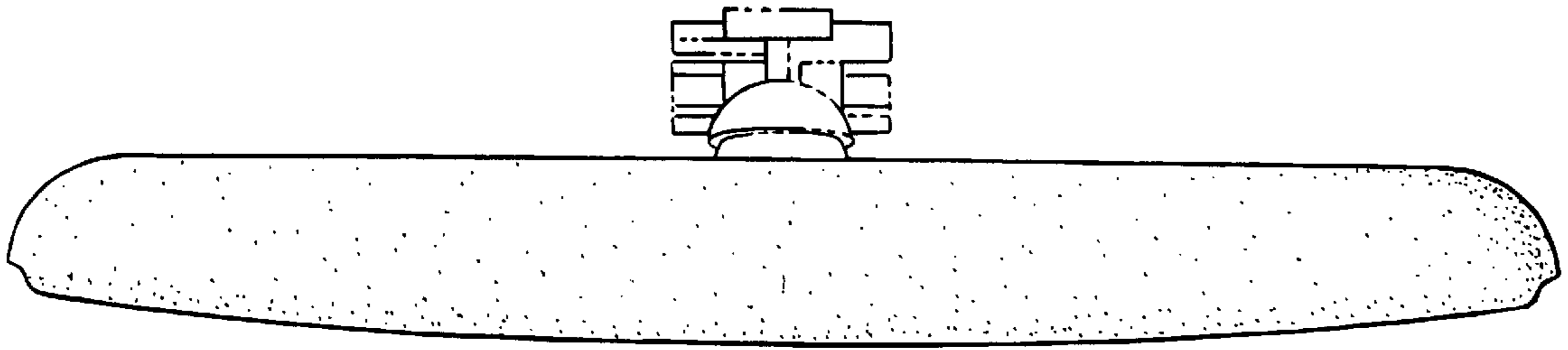




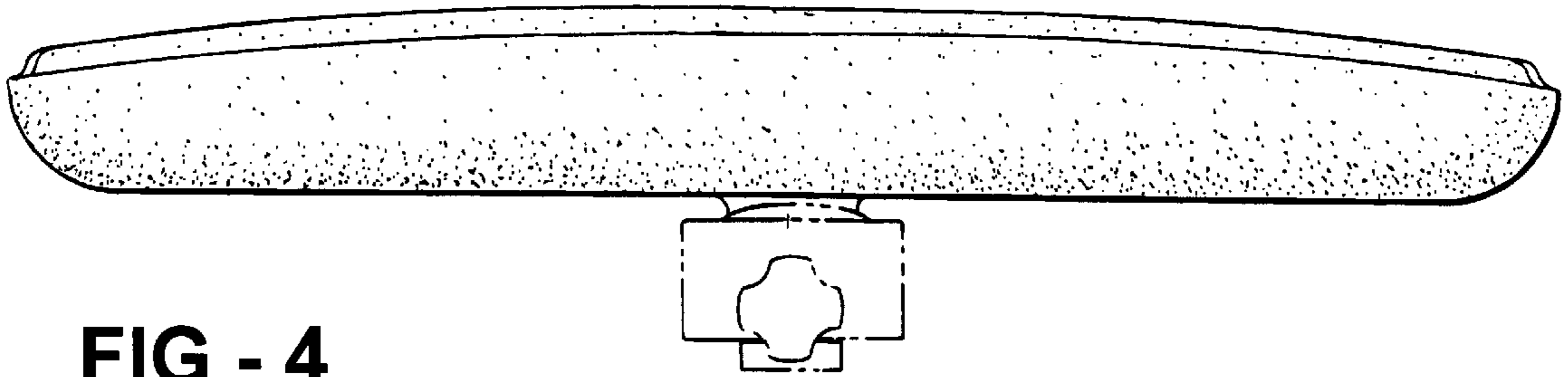
**FIG - 1**



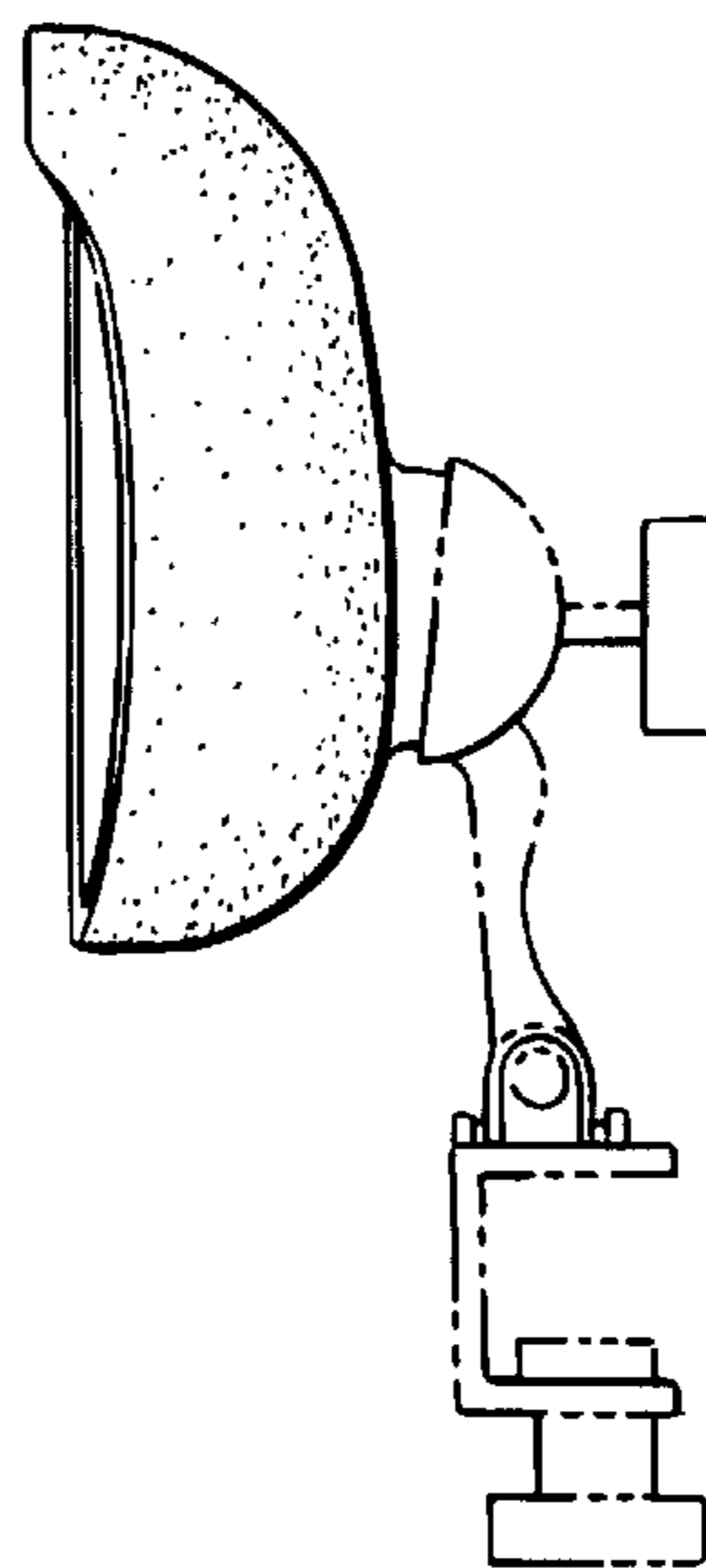
**FIG - 2**



**FIG - 3**



**FIG - 4**



**FIG - 5**