



US00D472187S

(12) **United States Design Patent**  
**Tomlinson**

(10) **Patent No.:** **US D472,187 S**

(45) **Date of Patent:** **\*\* Mar. 25, 2003**

(54) **REHABILITATION WALKER**

(76) Inventor: **Dick Tomlinson**, 1043 Waltham Rd.  
#E, Simi Valley, CA (US) 93065-4493

(\*\*) Term: **14 Years**

(21) Appl. No.: **29/162,514**

(22) Filed: **Jun. 13, 2002**

(51) **LOC (7) Cl.** ..... **12-12**

(52) **U.S. Cl.** ..... **D12/130**

(58) **Field of Search** ..... **D12/128-133;**  
**280/87.051, 87.021, 242.1, 250.1; 297/DIG. 4,**  
**5; 135/66, 67**

(56) **References Cited**

**U.S. PATENT DOCUMENTS**

D395,851 S \* 7/1998 Ostwalt ..... D12/130

D400,829 S \* 11/1998 Tomlinson ..... D12/130

\* cited by examiner

*Primary Examiner*—Marcus A. Jackson  
(74) *Attorney, Agent, or Firm*—Calif Tervo

(57) **CLAIM**

The ornamental design for a rehabilitation walker, as shown and described.

**DESCRIPTION**

FIG. 1 is a perspective view of a rehabilitation walker showing my new design;

FIG. 2 is a right side elevational view thereof; the left side being substantially a mirror image;

FIG. 3 is a top plan view thereof;

FIG. 4 is a front elevational view thereof;

FIG. 5 is a rear elevational view thereof; and,

FIG. 6 is a bottom plan view thereof.

**1 Claim, 2 Drawing Sheets**

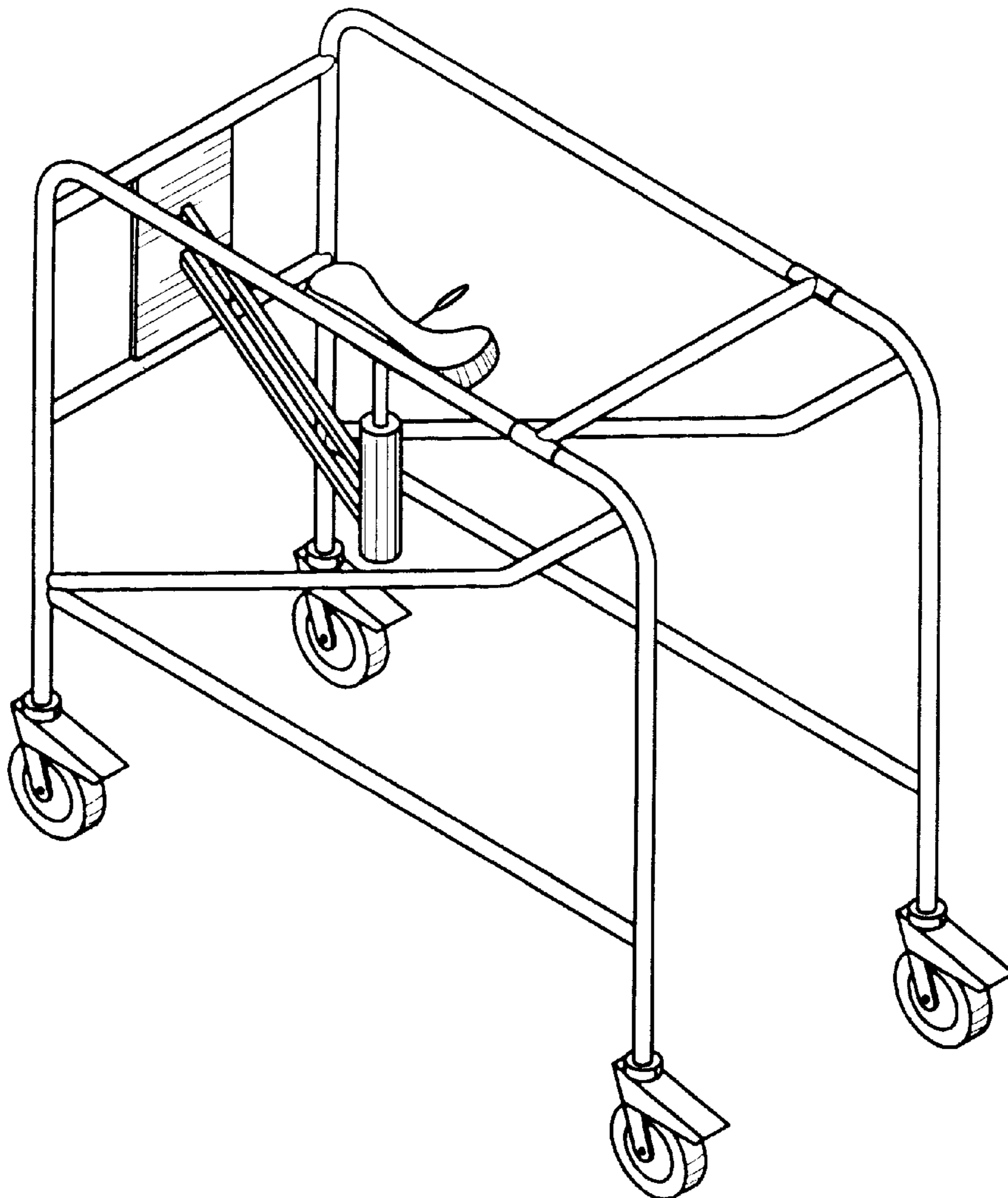


FIG. 1

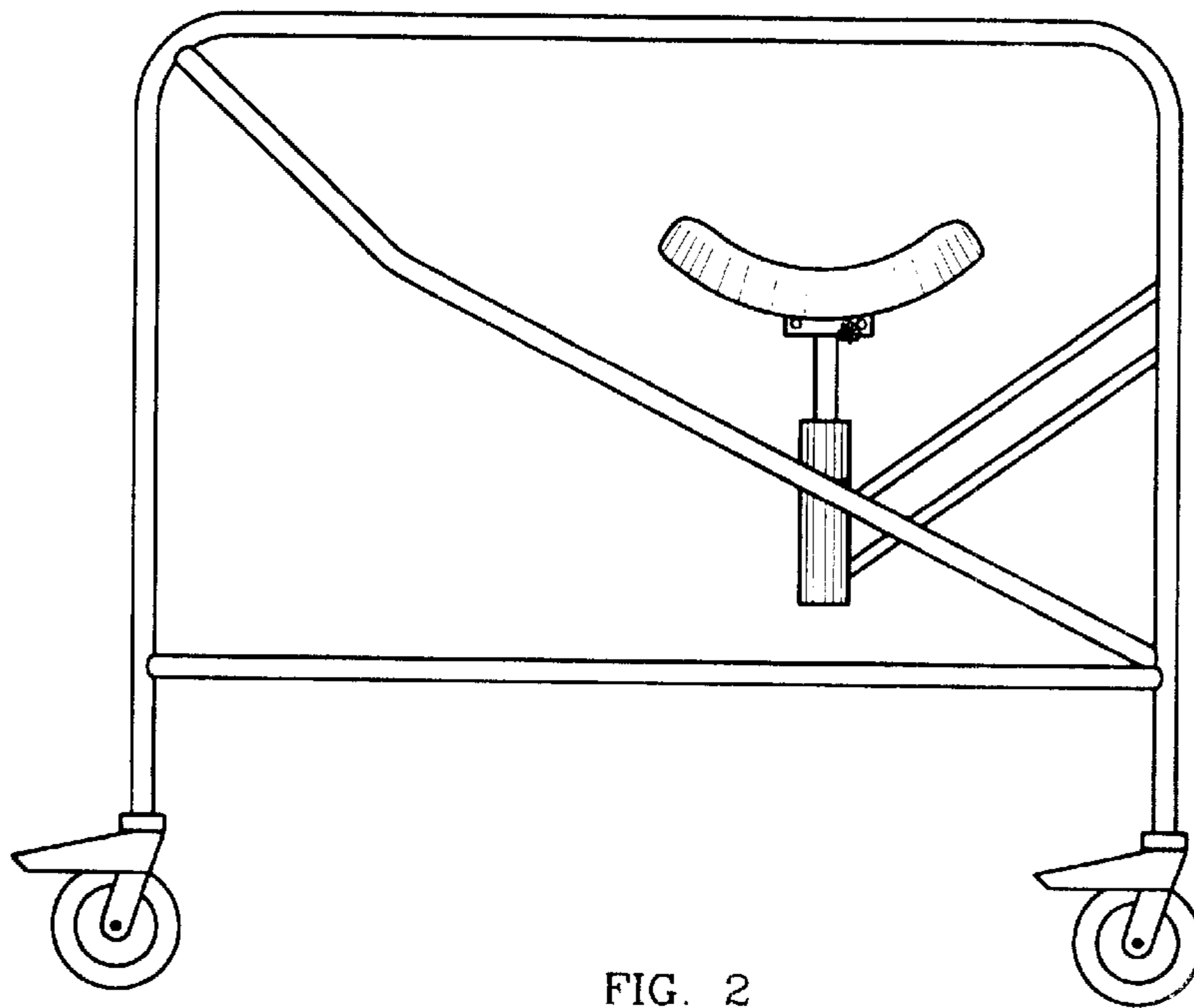
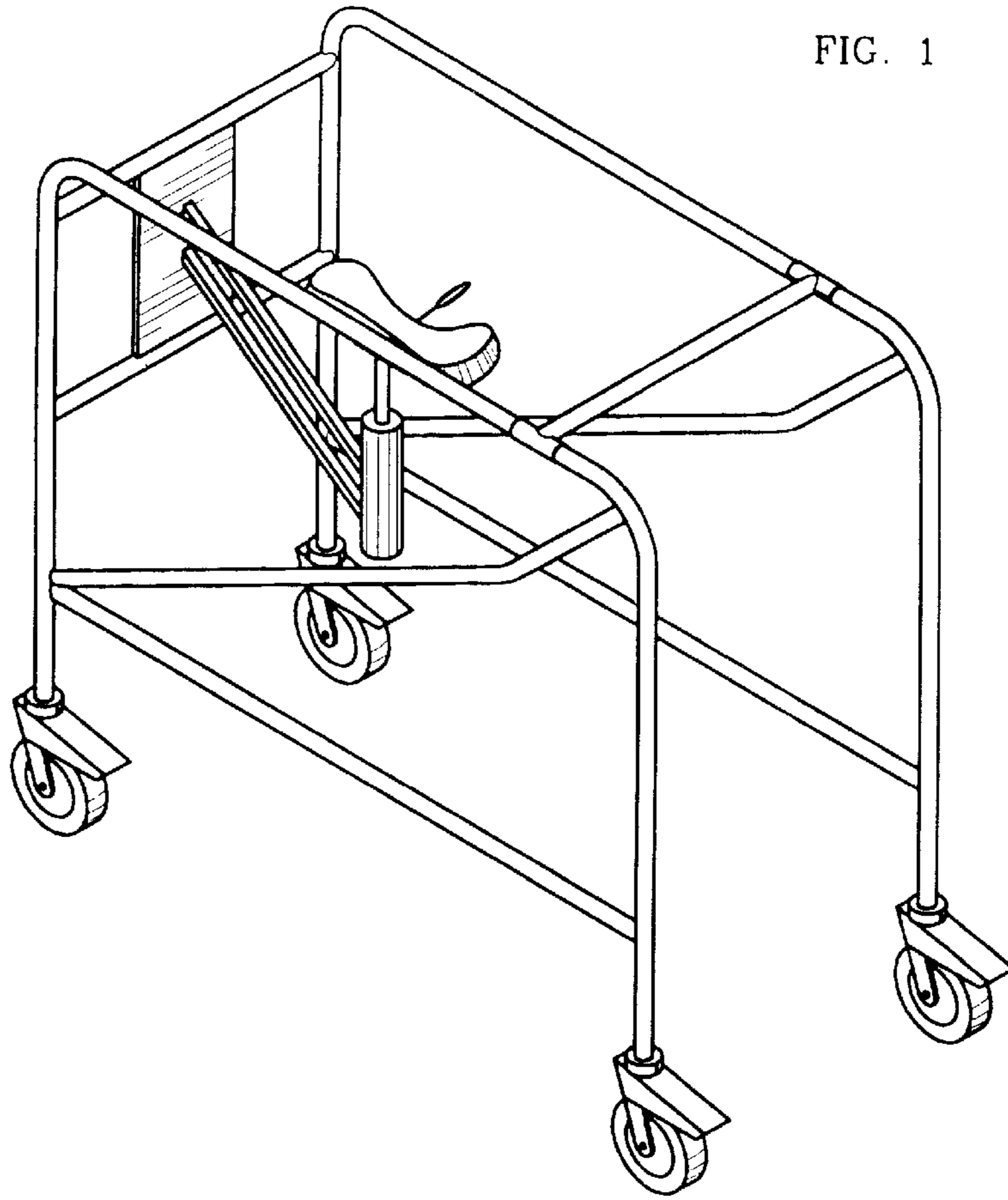


FIG. 2

FIG. 3

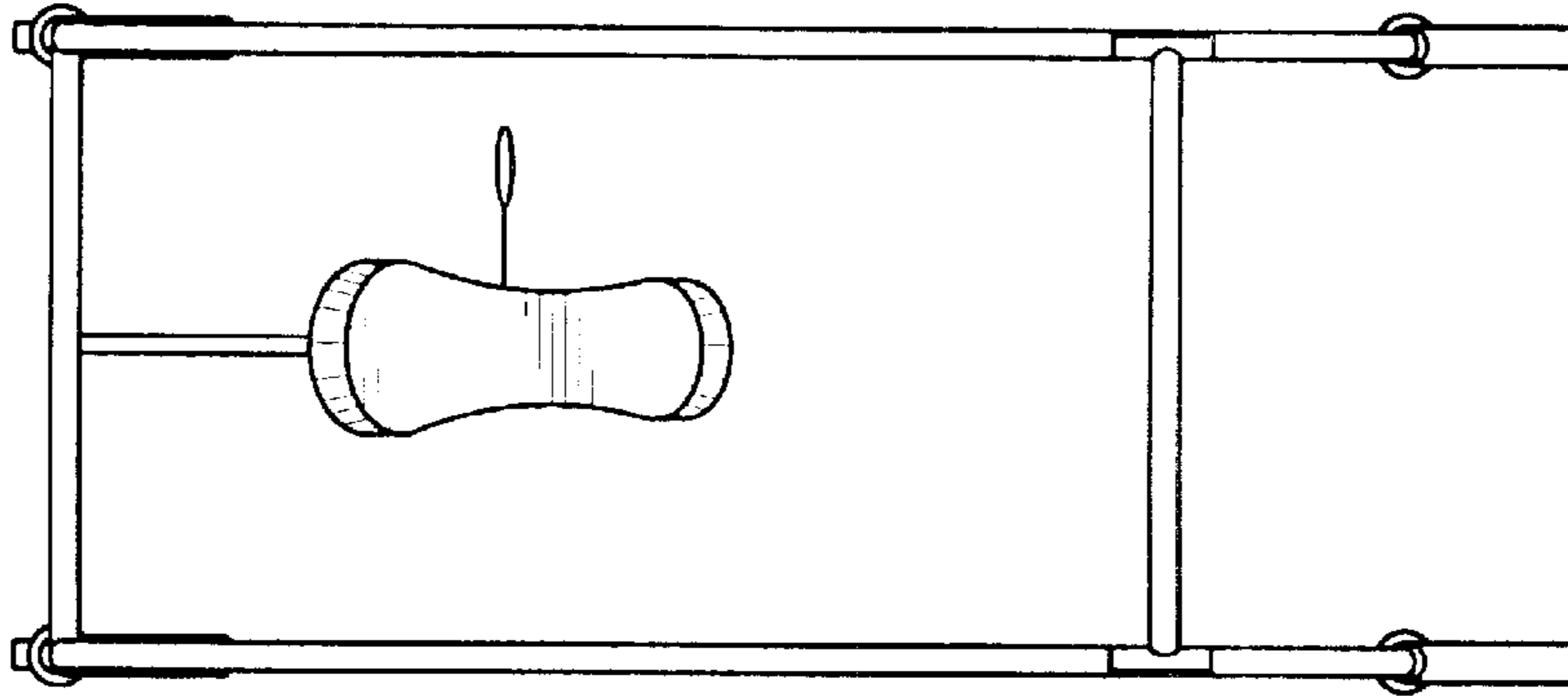


FIG. 4

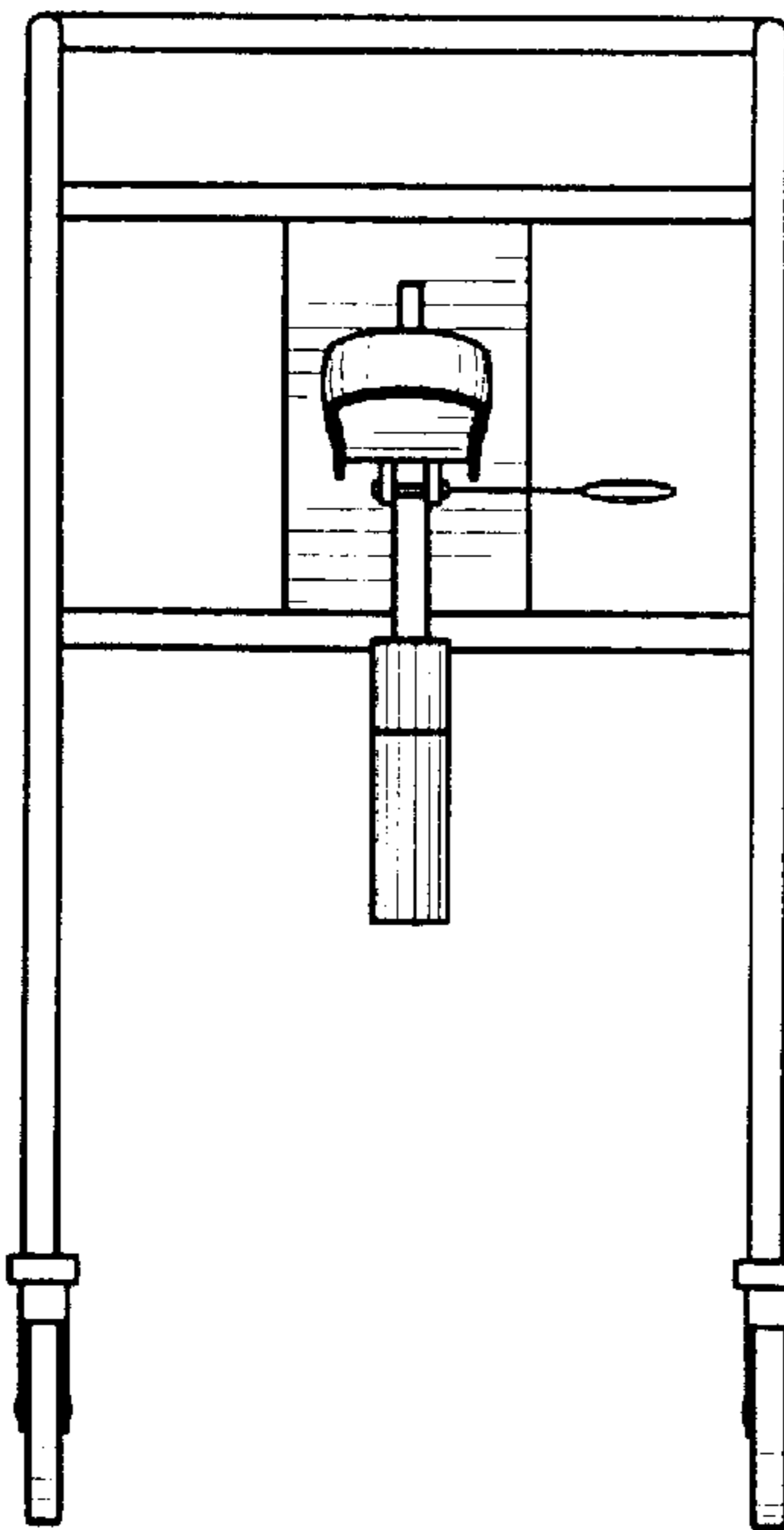


FIG. 5

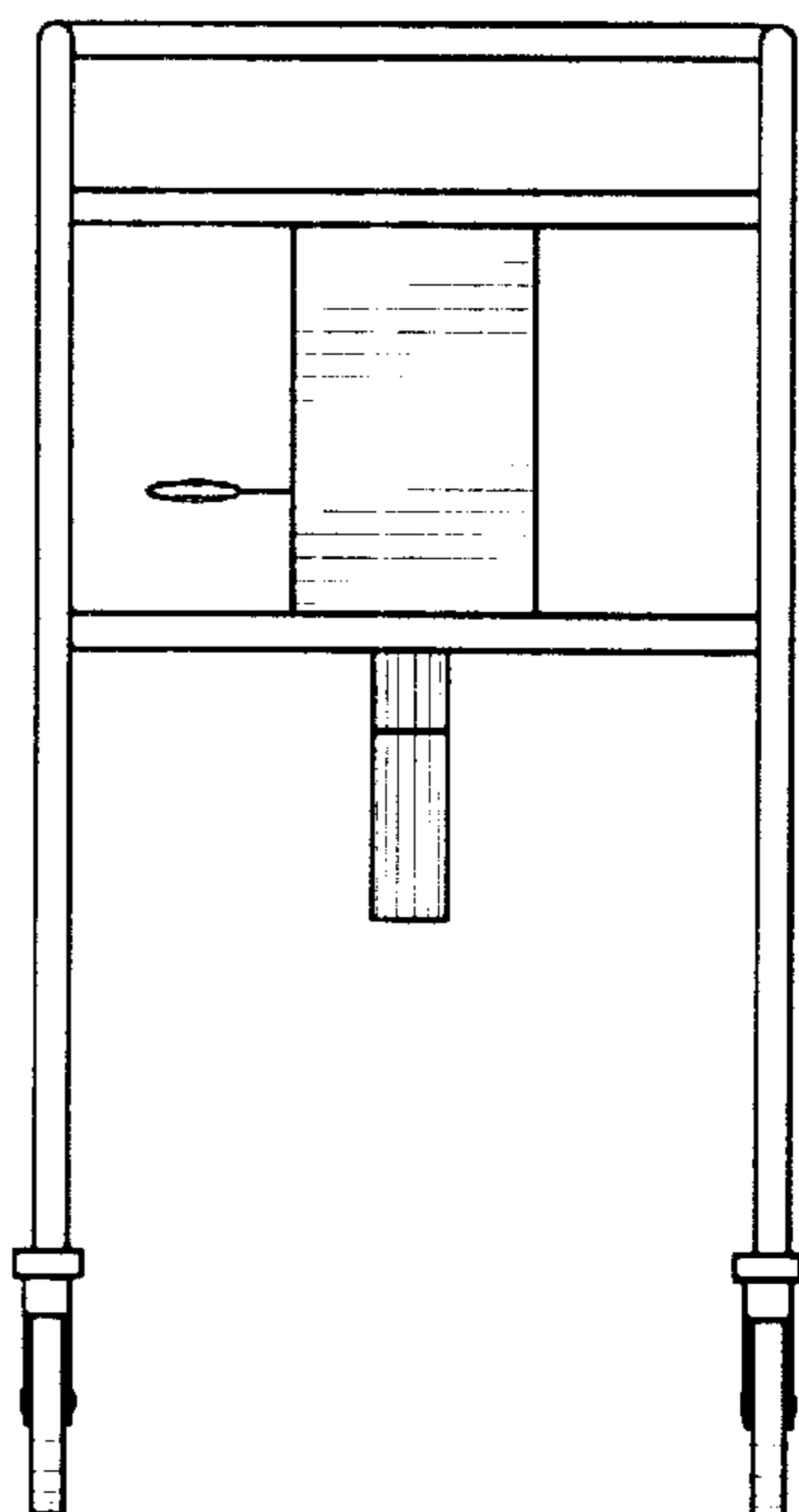


FIG. 6

