



US00D472185S

(12) **United States Design Patent**
Mardaga

(10) **Patent No.:** **US D472,185 S**

(45) **Date of Patent:** **** Mar. 25, 2003**

(54) **BELT BUCKLE**

D436,056 S * 1/2001 Oxley D11/216
D447,979 S * 9/2001 Anscher D11/216

(76) Inventor: **Albert Mardaga**, Rue de Verviers 1,
4020 Liege (BE)

* cited by examiner

(**) Term: **14 Years**

Primary Examiner—Louis S. Zarfes
Assistant Examiner—Gregory Andoll
(74) *Attorney, Agent, or Firm*—Kirschstein, et al.

(21) Appl. No.: **29/157,130**

(22) Filed: **Mar. 13, 2002**

(57) **CLAIM**

(30) **Foreign Application Priority Data**

The ornamental design for a belt buckle, as shown and described.

Sep. 18, 2001 (XH) DM/058 040

DESCRIPTION

(51) **LOC (7) Cl.** **02-07**

(52) **U.S. Cl.** **D11/216; D11/231**

(58) **Field of Search** D11/256, 216,
D11/231; 24/33 P, 31 R, 33 R, 163 R,
170, 171, 173, 178, 179, 190, 191

FIG. 1 is a front elevational view of a fastened belt buckle in accordance with the design of my invention;
FIG. 2 is a top plan view thereof, the bottom plan view being a mirror image;
FIG. 3 is a left end view thereof;
FIG. 4 is a right end view thereof;
FIG. 5 is a rear elevational view thereof; and,
FIG. 6 is a perspective view of the unfastened belt buckle of FIG. 1.

(56) **References Cited**

U.S. PATENT DOCUMENTS

D283,756 S * 5/1986 Kirk D11/200
D342,922 S * 1/1994 Kirk D11/231
D371,525 S * 7/1996 Ryan et al. D11/231

1 Claim, 3 Drawing Sheets

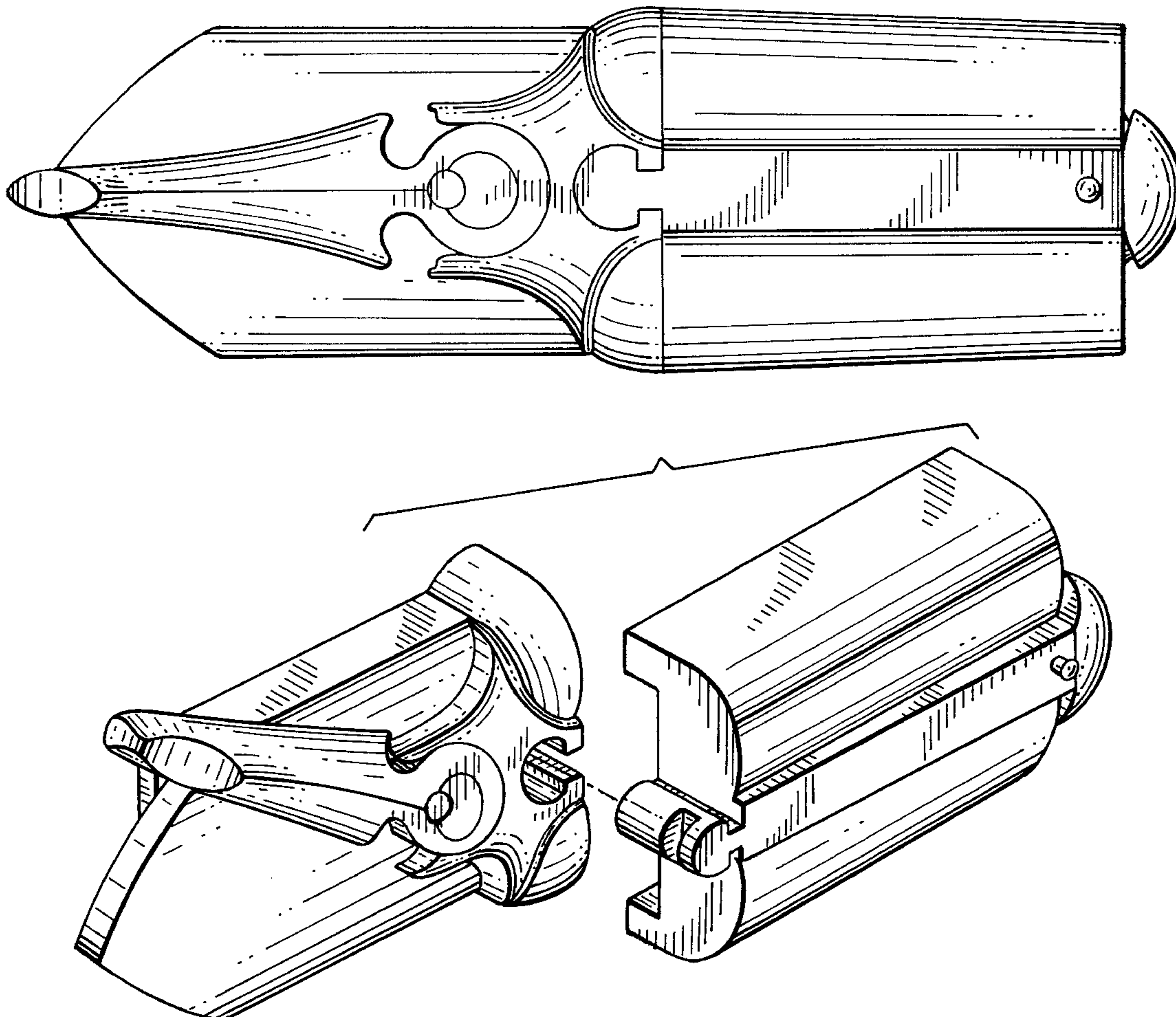


FIG. 1

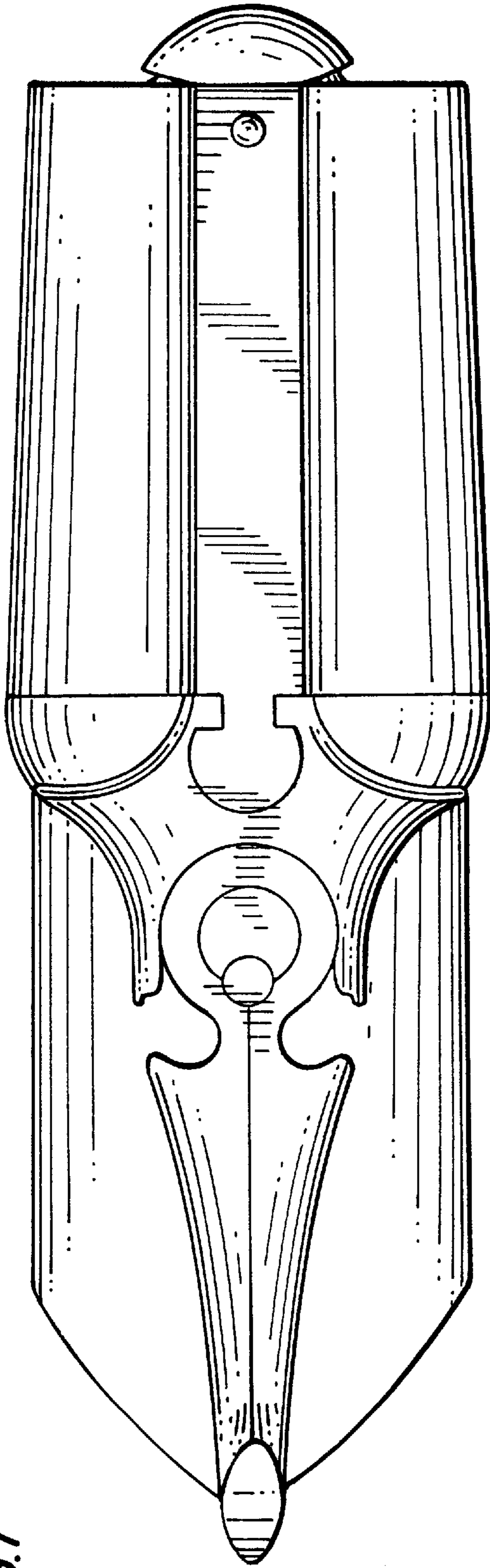
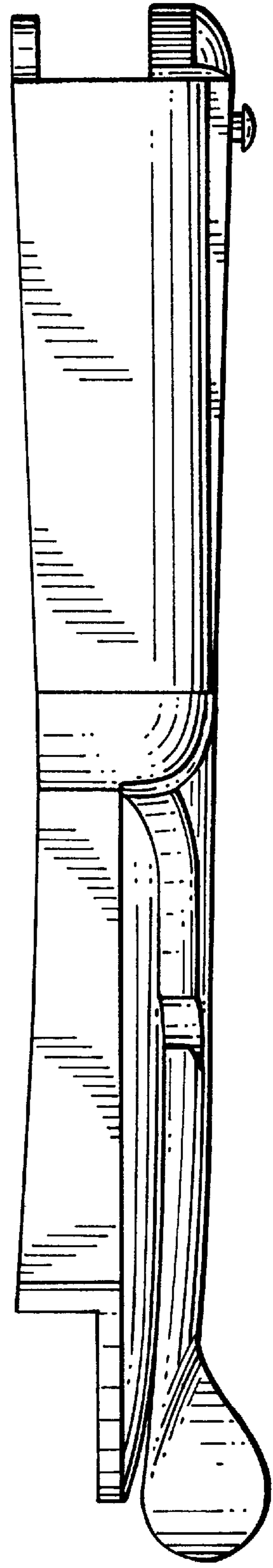


FIG. 2



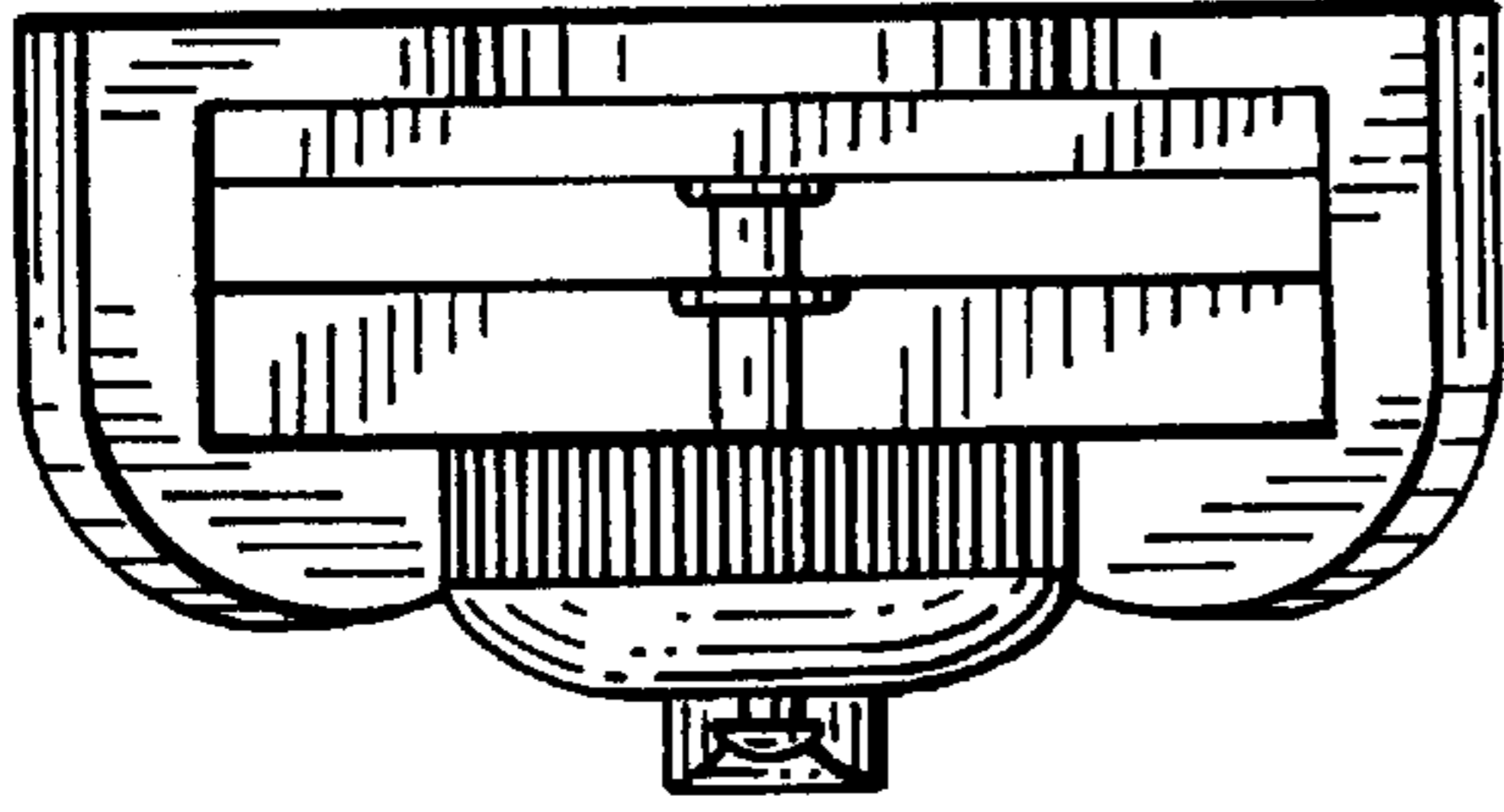


FIG. 4

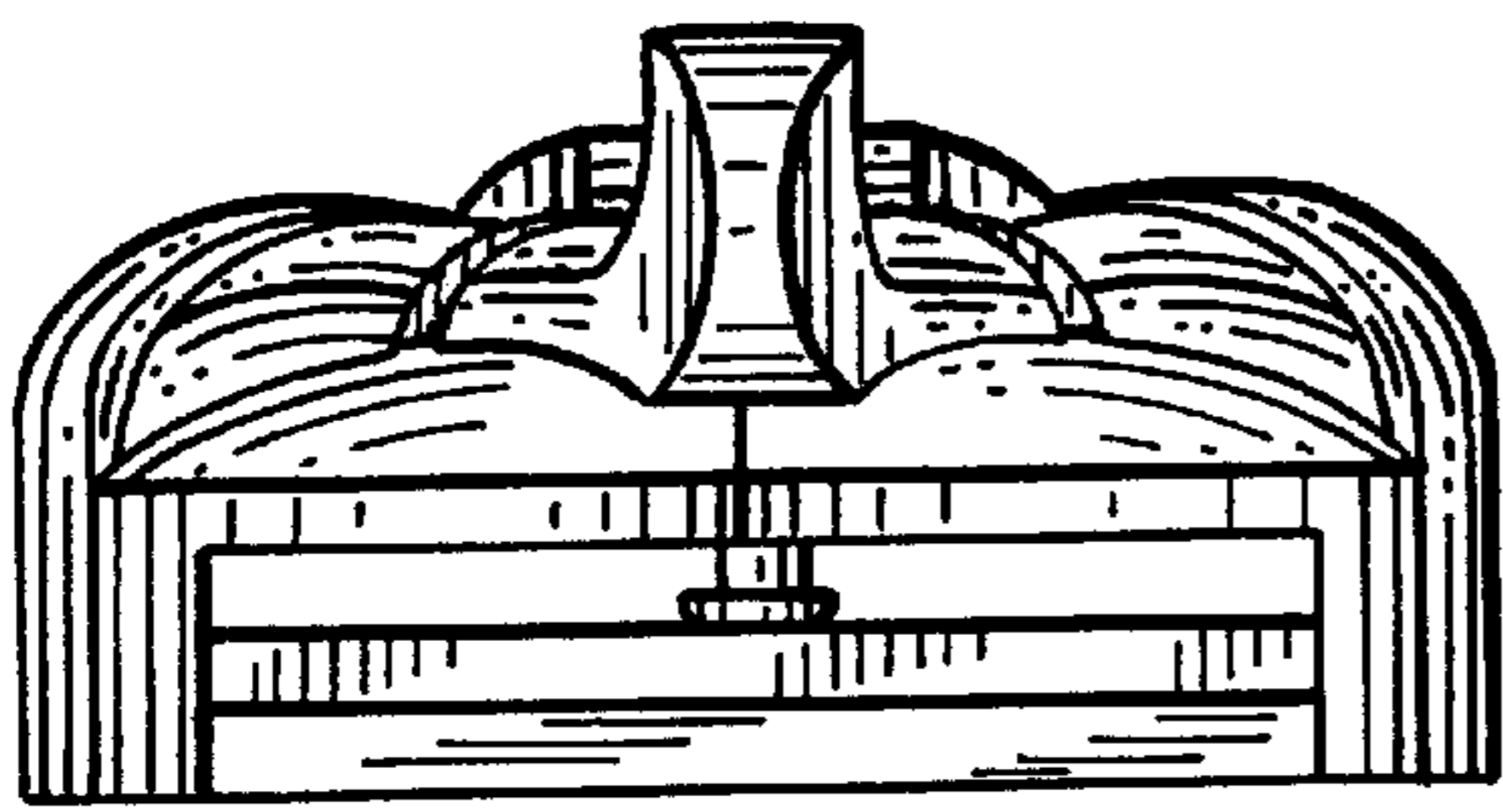


FIG. 3

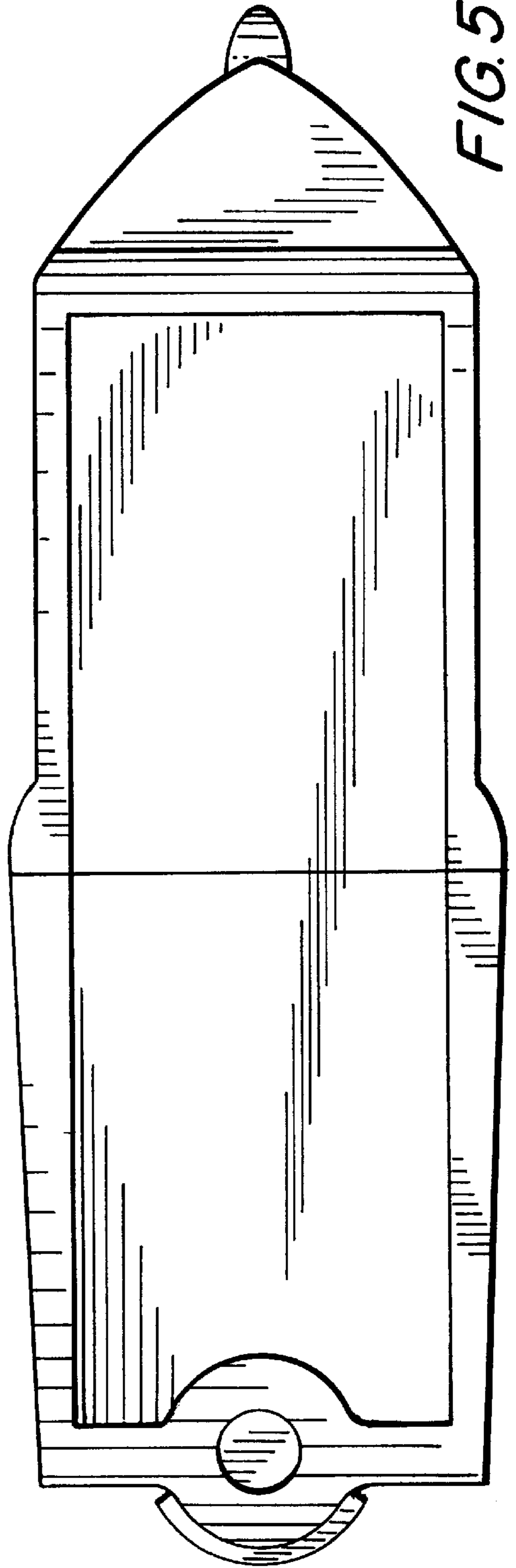


FIG. 5

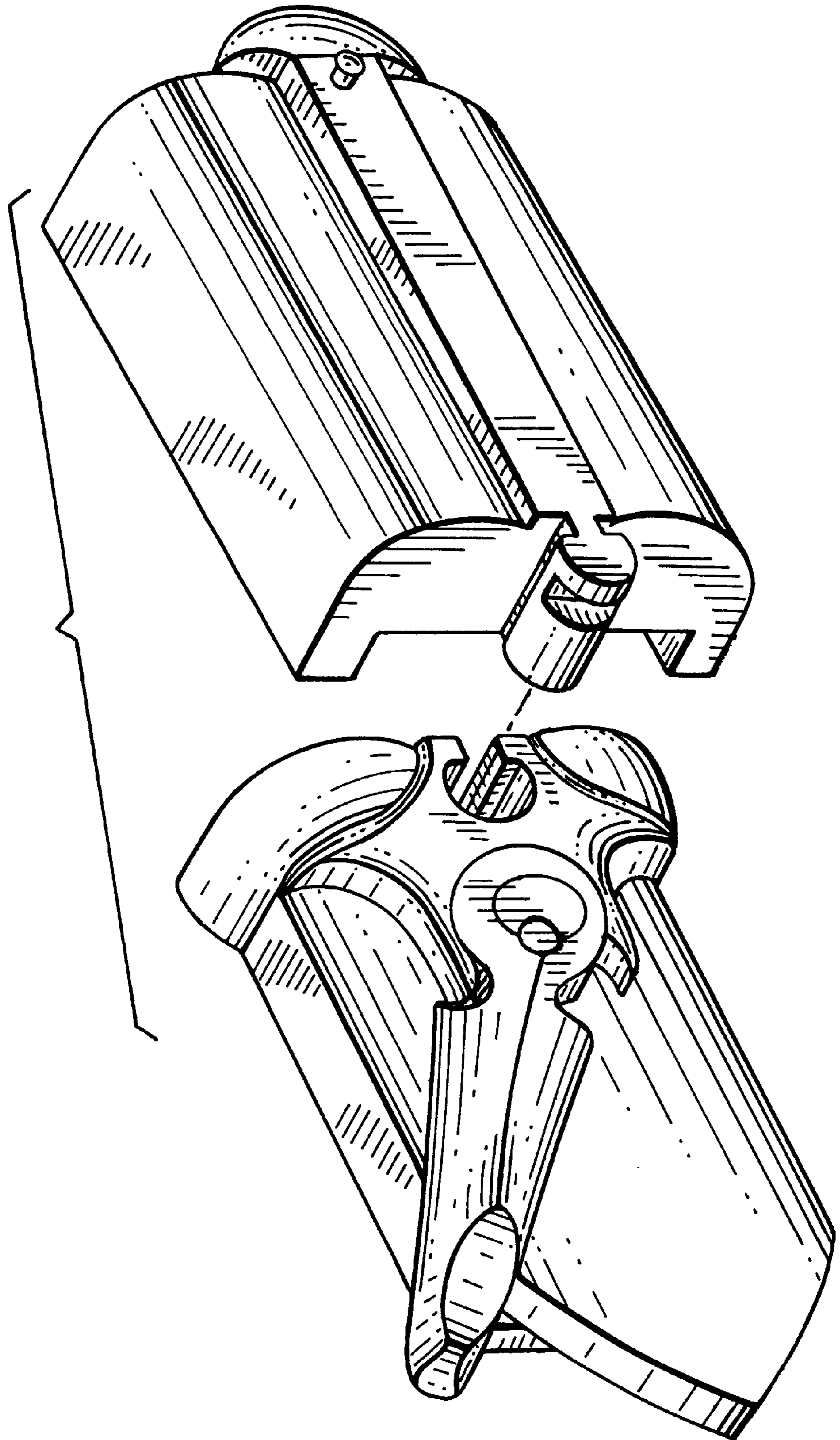


FIG. 6