



US00D472176S

(12) **United States Design Patent**
Atkinson

(10) **Patent No.:** **US D472,176 S**

(45) **Date of Patent:** **** Mar. 25, 2003**

(54) **THREE WAY TURKEY CALL**

(76) Inventor: **Aaron Jay Atkinson**, R.R. Box 164
Rte. 5, Canastota, NY (US) 13032

(**) Term: **14 Years**

(21) Appl. No.: **29/155,675**

(22) Filed: **Feb. 12, 2002**

(51) **LOC (7) Cl.** **10-05**

(52) **U.S. Cl.** **D10/116**

(58) **Field of Search** D10/116; 446/397,
446/402, 489, 418

(56) **References Cited**

U.S. PATENT DOCUMENTS

5,066,260 A	*	11/1991	Lindler	446/397
5,244,430 A	*	9/1993	Legursky	446/397
D347,399 S	*	5/1994	White, Jr.	D10/116
D360,160 S	*	7/1995	Moreingstar	D10/116

* cited by examiner

Primary Examiner—Antoine Duval Davis

(57) **CLAIM**

The ornamental design for a three way turkey call, as shown.

DESCRIPTION

FIG. 1 is a left side elevational view showing my new design;

FIG. 2 is a right side elevational view thereof;

FIG. 3 is a top elevational view thereof;

FIG. 4 is a bottom elevational view thereof;

FIG. 5 is a front end elevational view thereof;

FIG. 6 is a back end elevational view thereof;

FIG. 7 is a side view of tubecall striker removed from socket elevational view thereof;

FIG. 8 is a back right corner elevational view thereof;

FIG. 9 is a back left corner elevational view thereof;

FIG. 10 is a front right corner elevational view thereof;

FIG. 11 is a front left corner elevational view thereof;

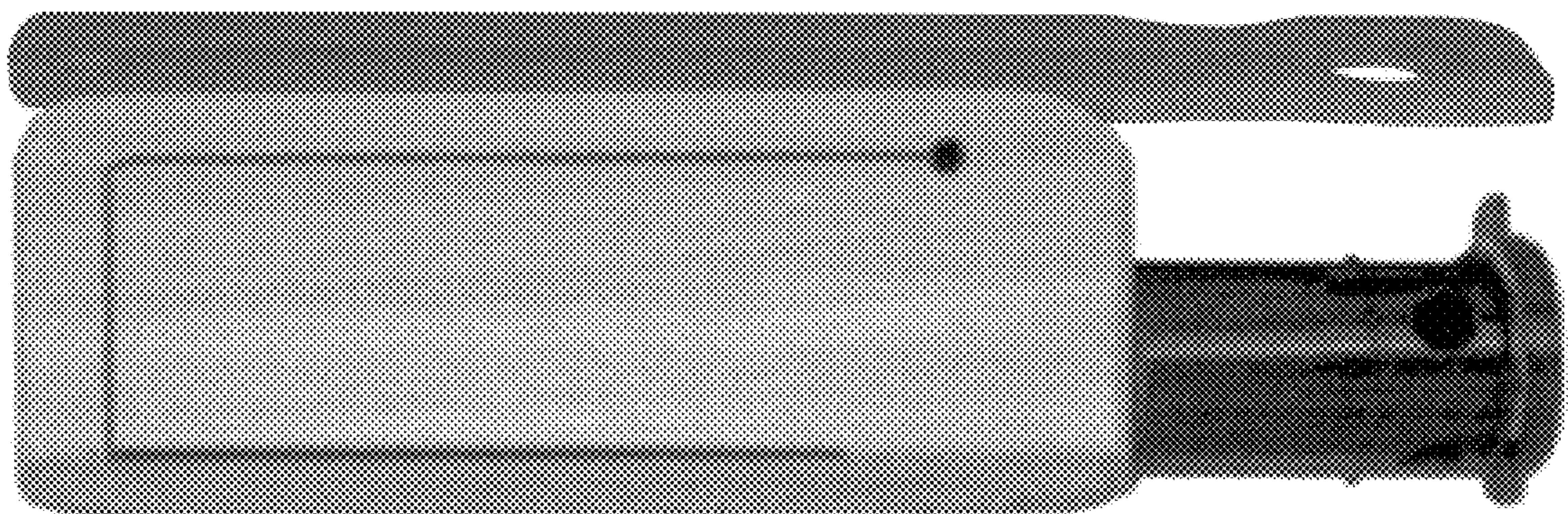
FIG. 12 is a top view with paddle removed elevational view thereof;

FIG. 13 is a top back end corner with tubecall striker removed showing socket elevational view thereof;

FIG. 14 is an exploded view of the tubecall striker in elevational view thereof; and,

FIG. 15 is an exploded view of the main body in elevational view thereof.

1 Claim, 3 Drawing Sheets



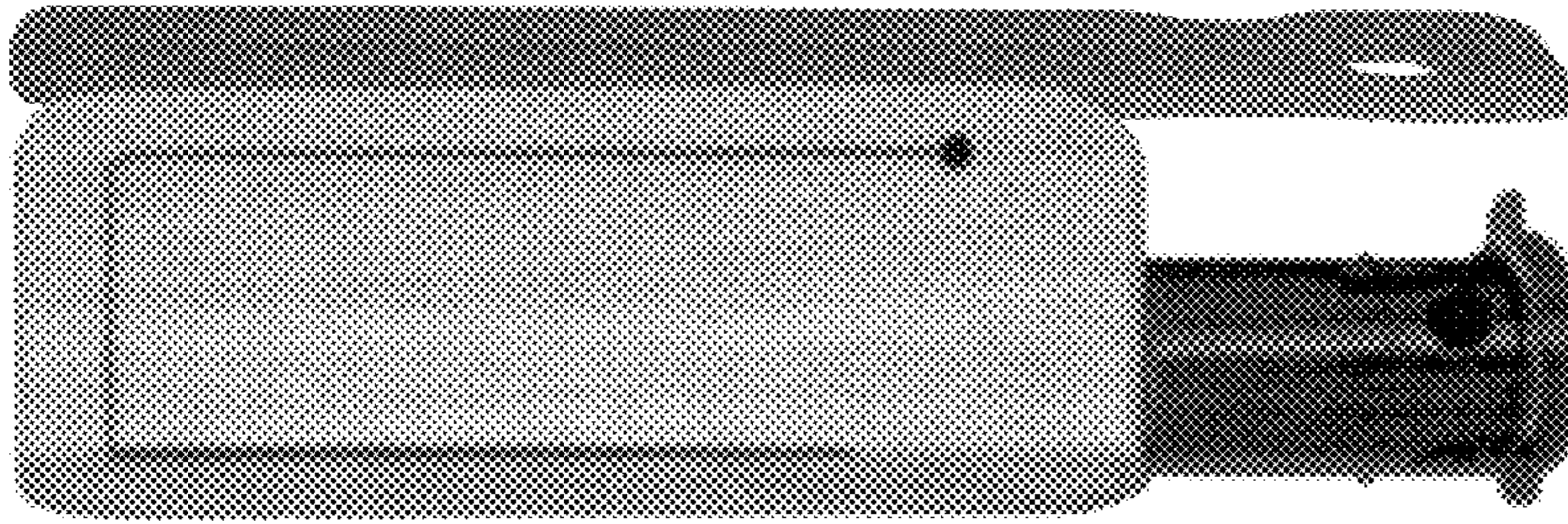


Fig. 1

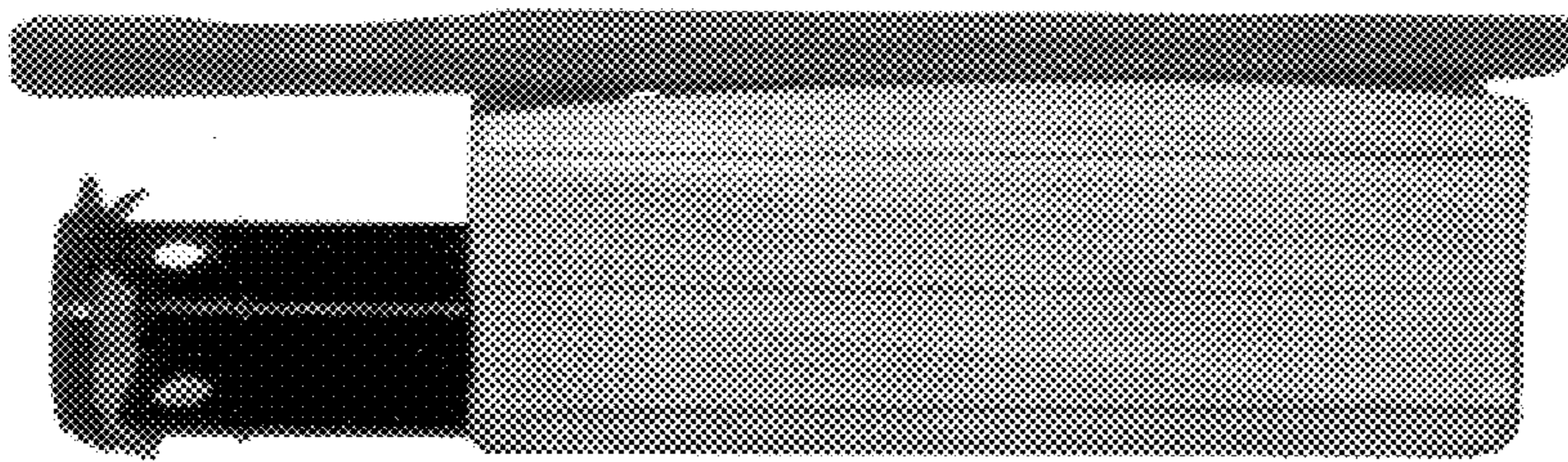


Fig. 2

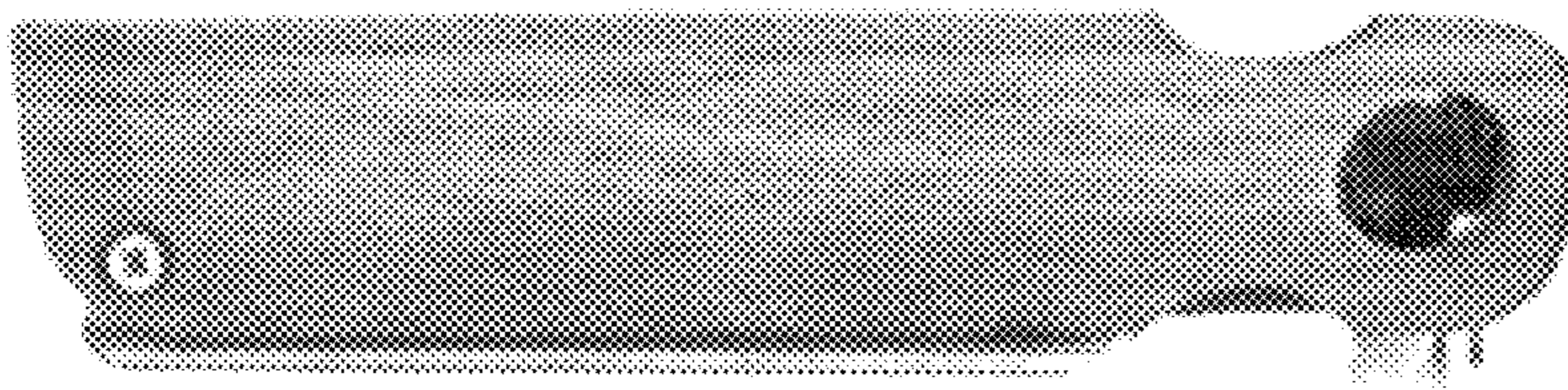


Fig. 3

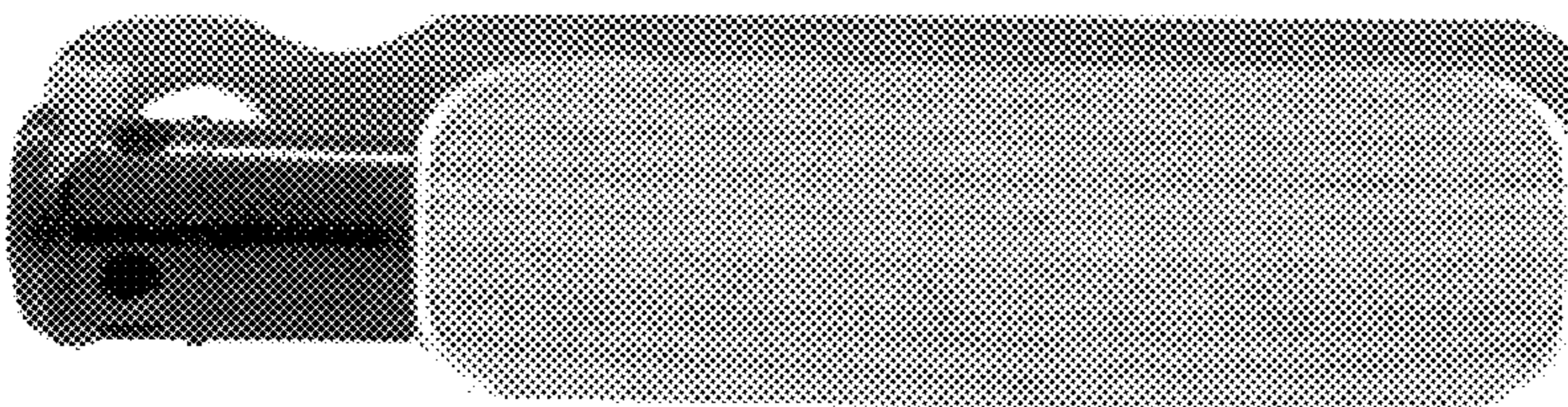


Fig. 4

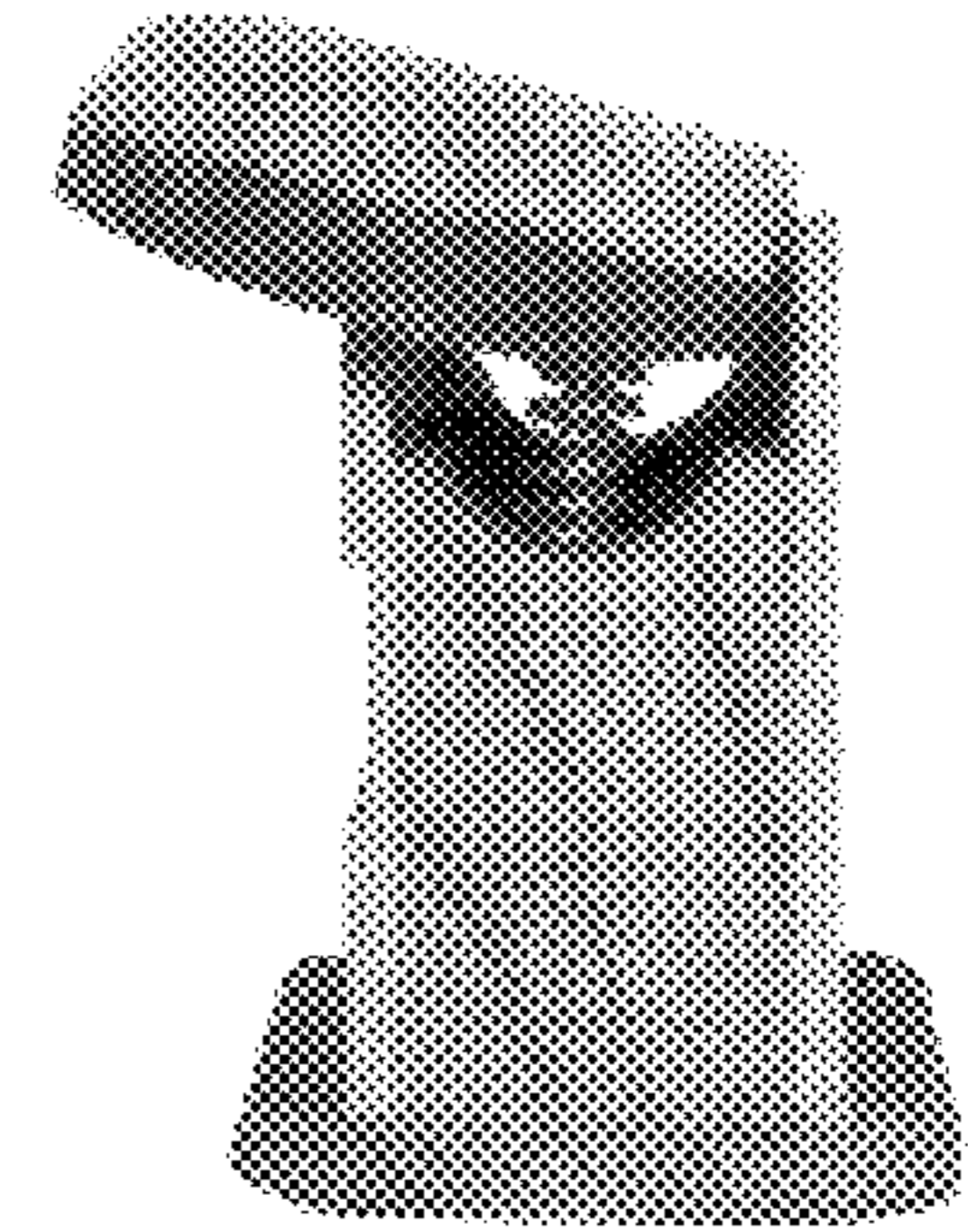


Fig. 5

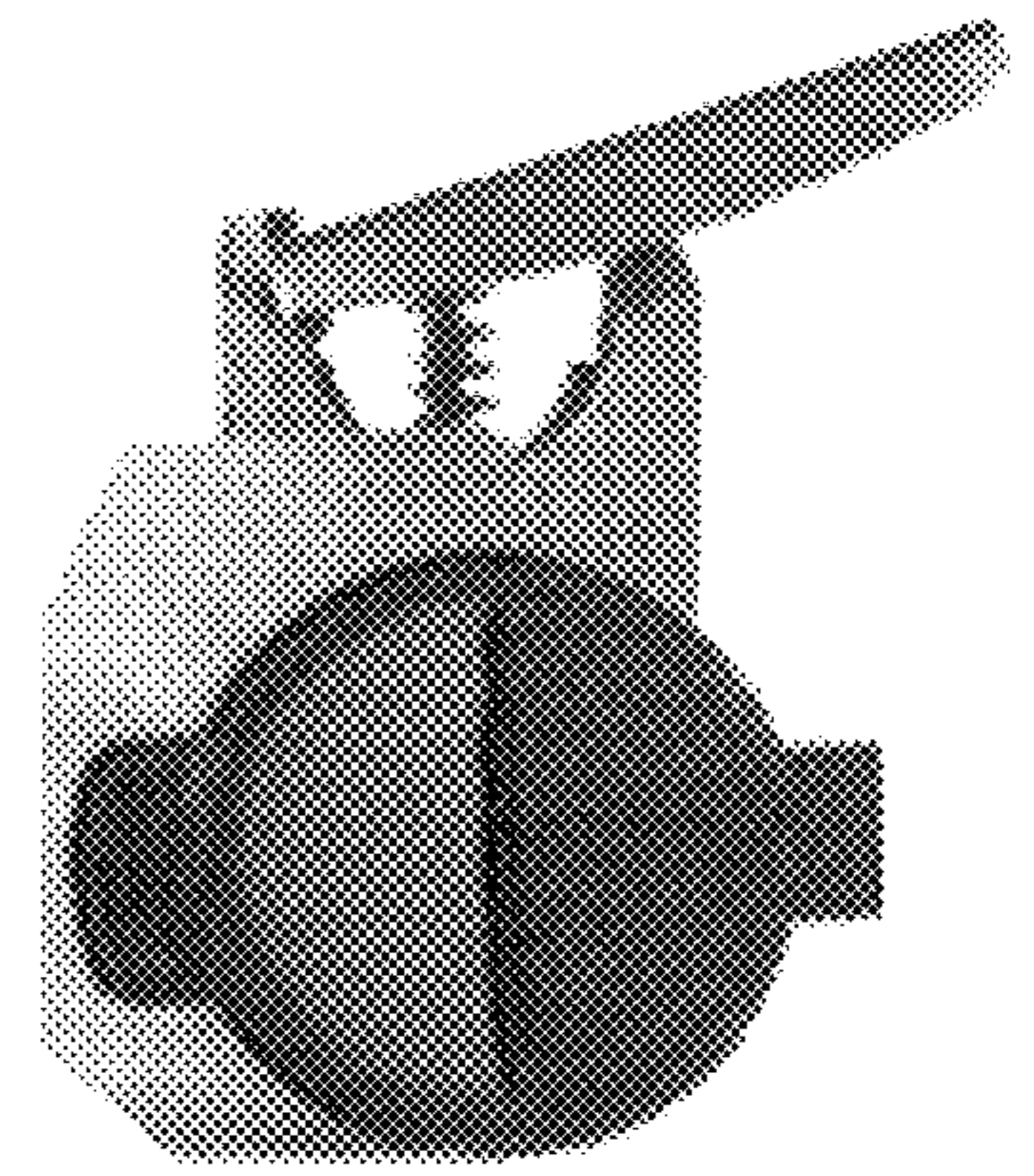


Fig. 6

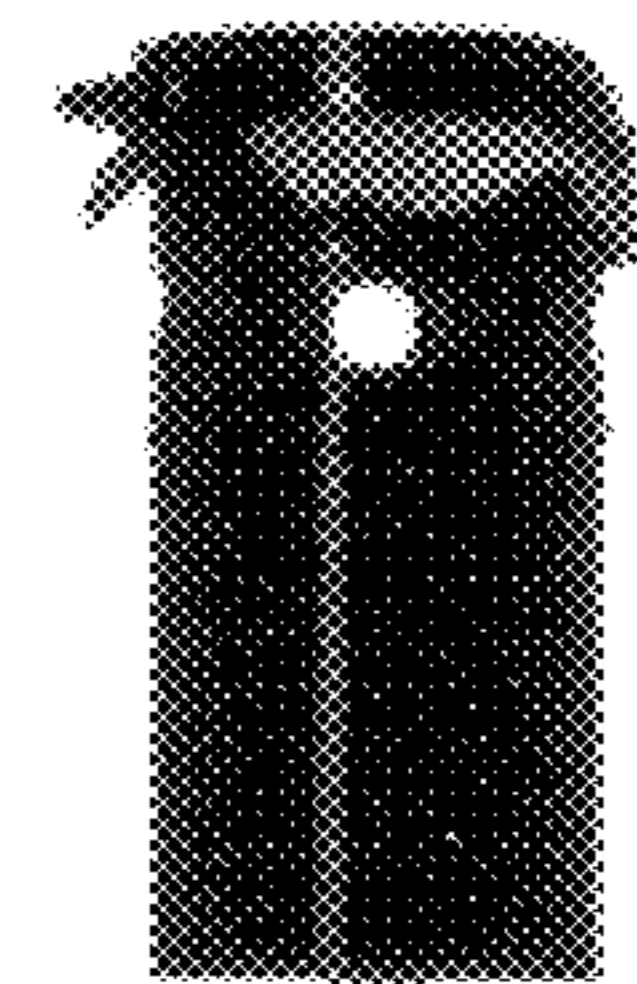


Fig. 7

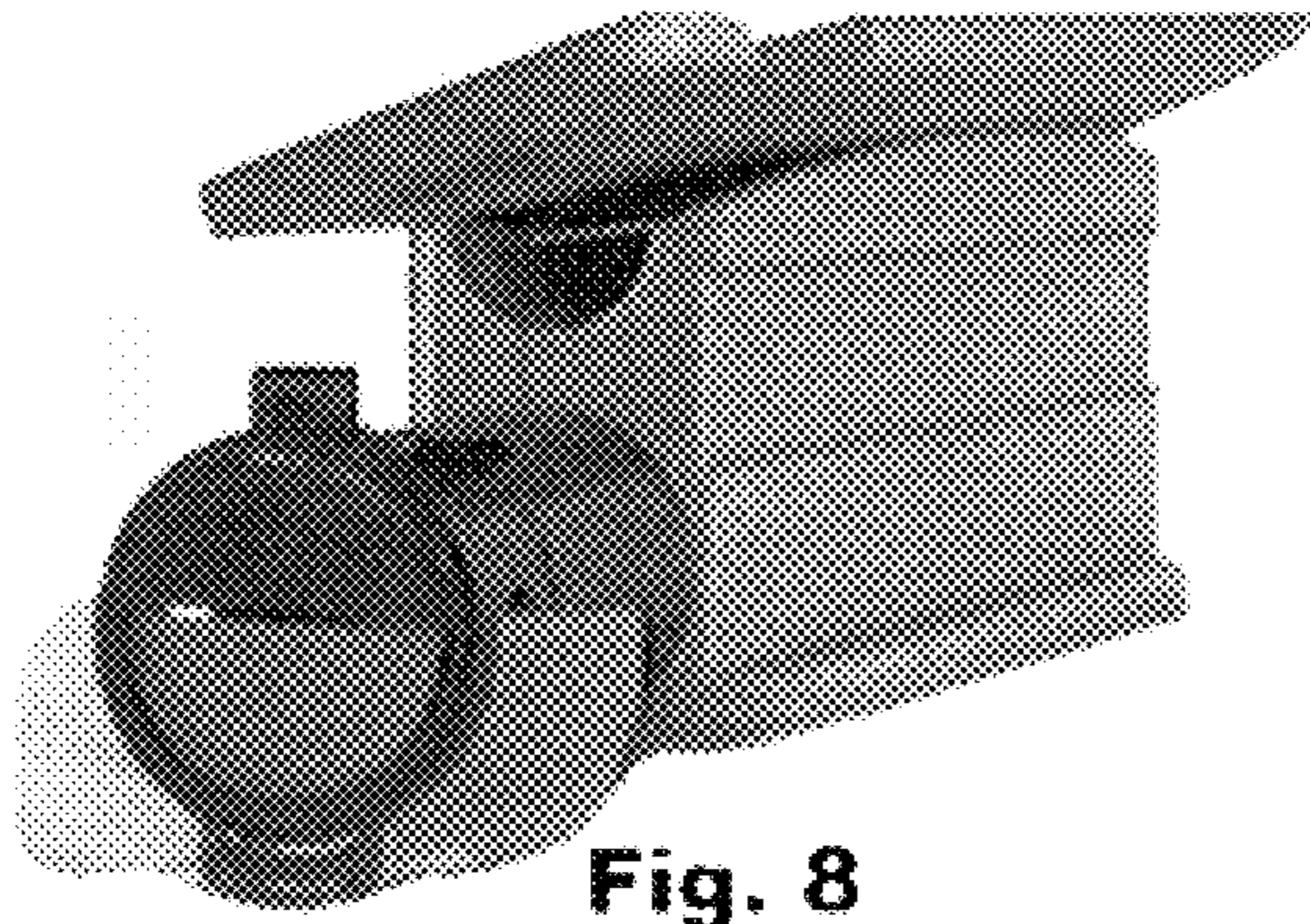


Fig. 8

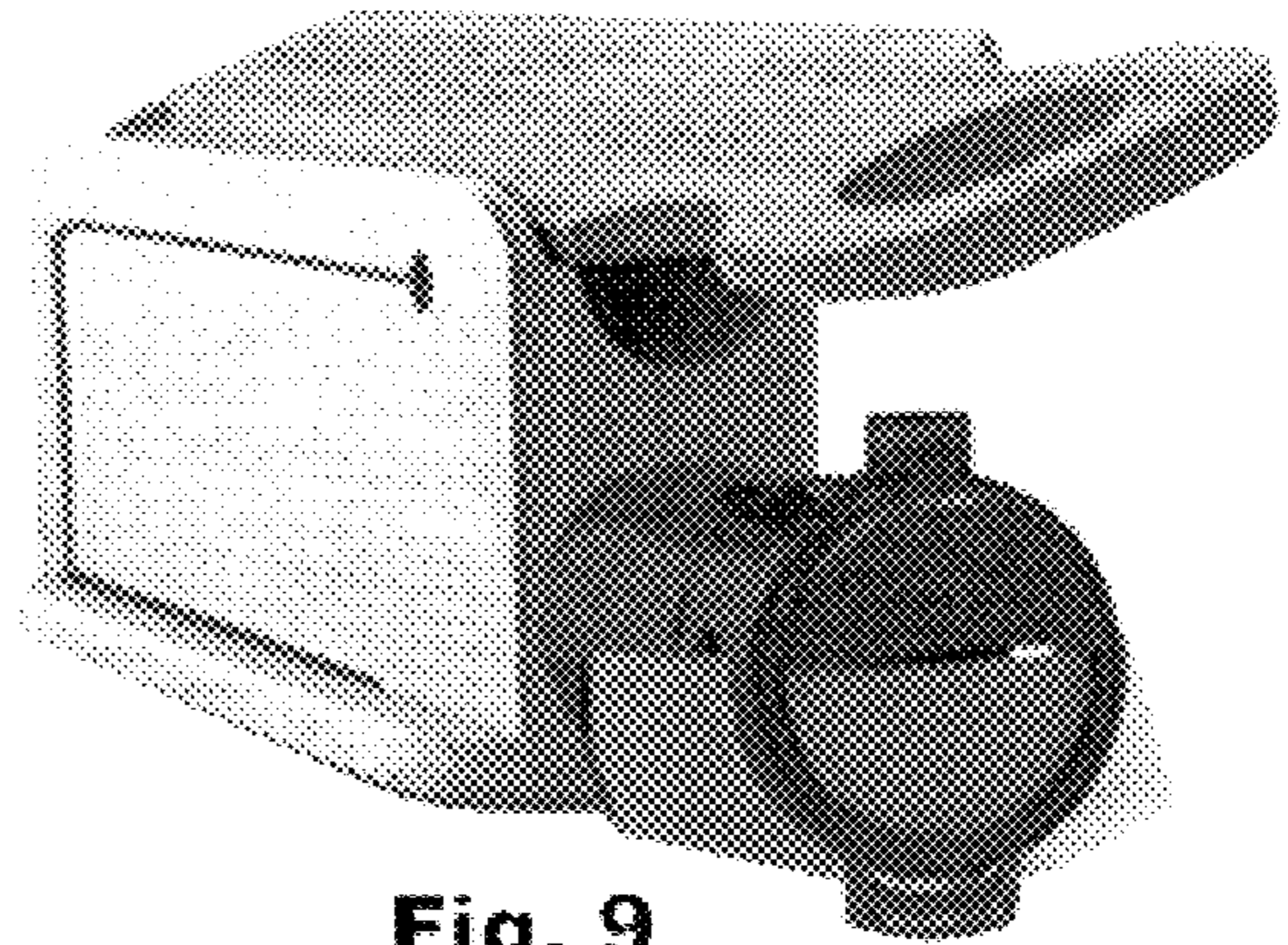


Fig. 9

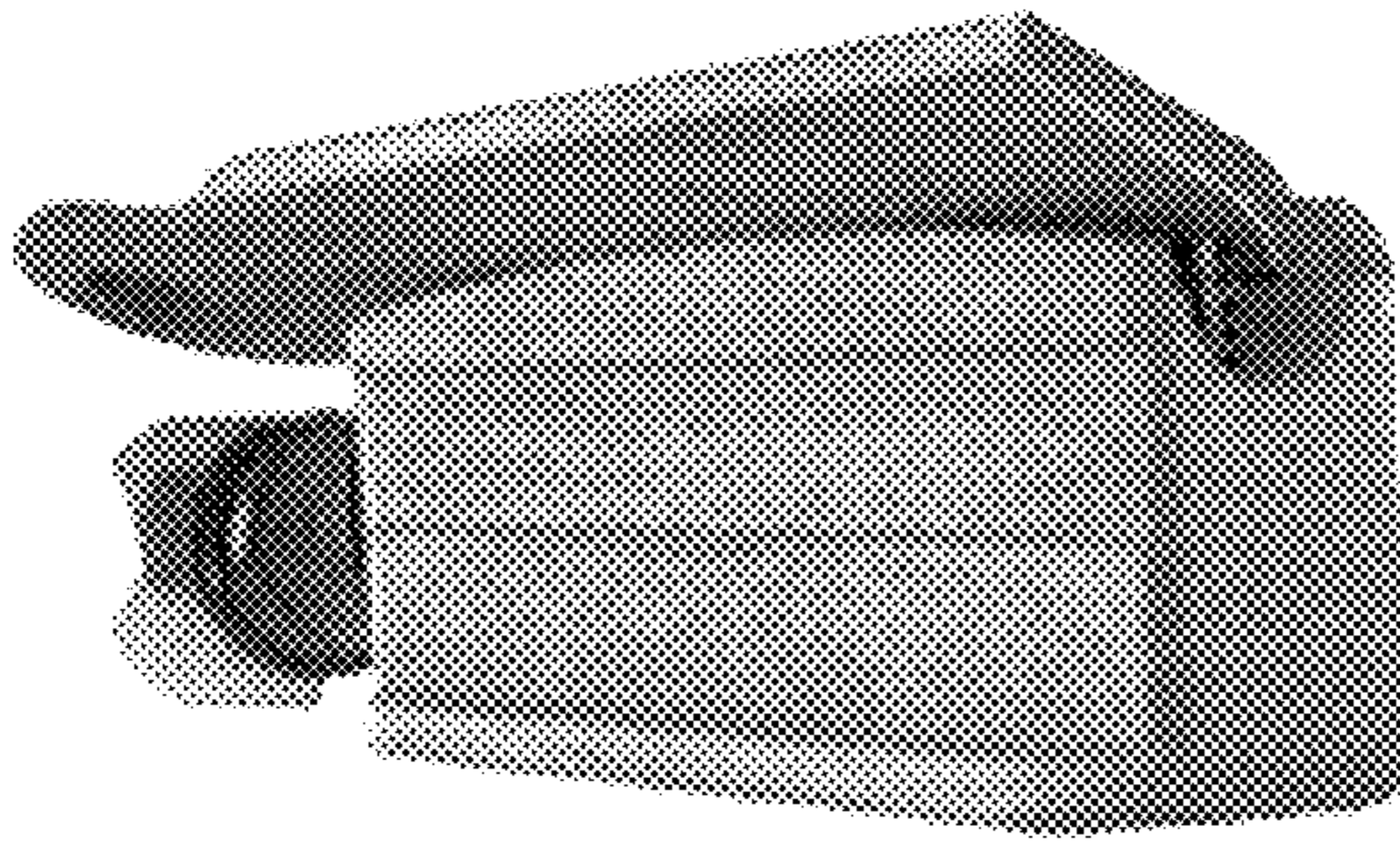


Fig. 10

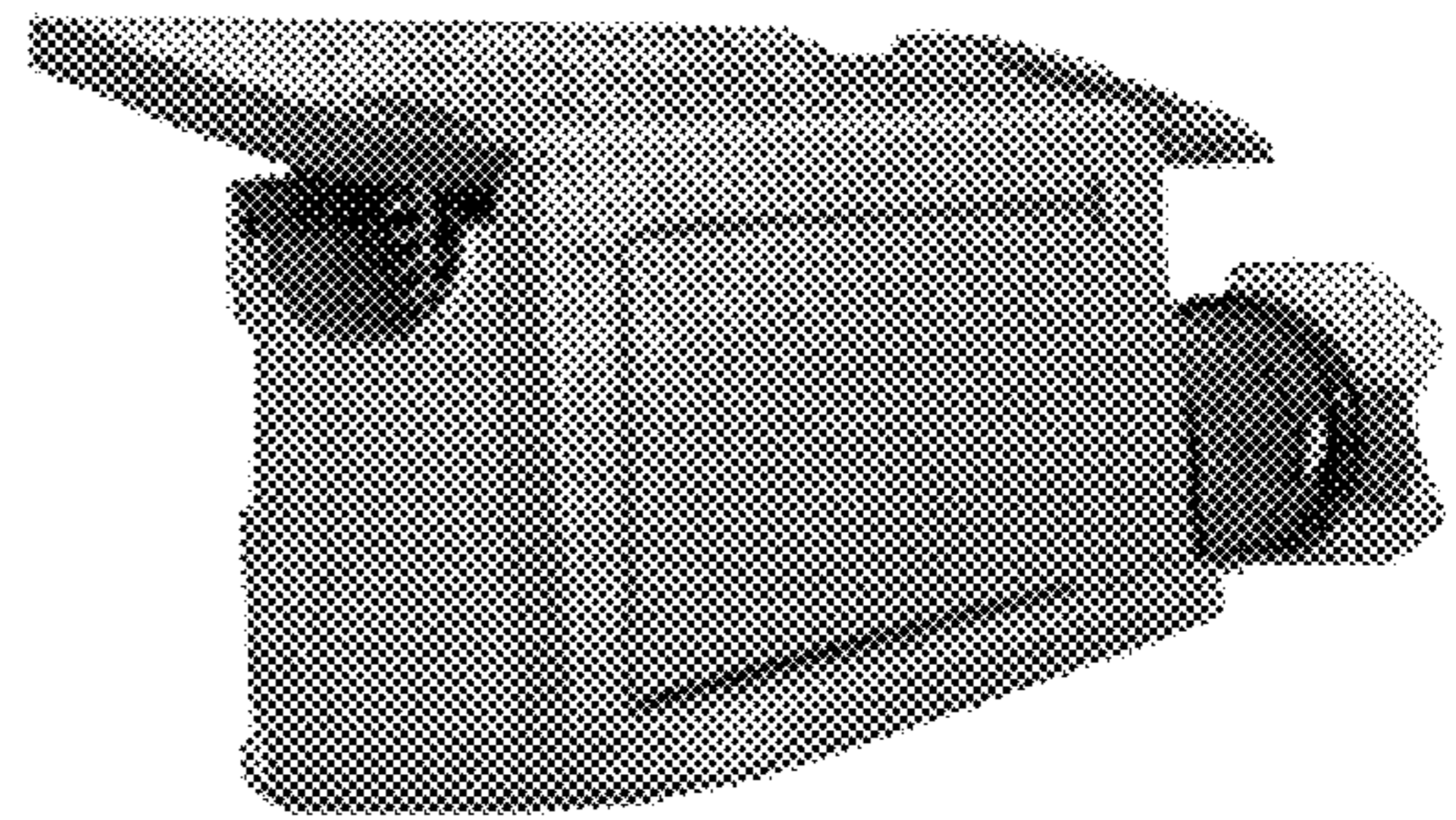


Fig. 11

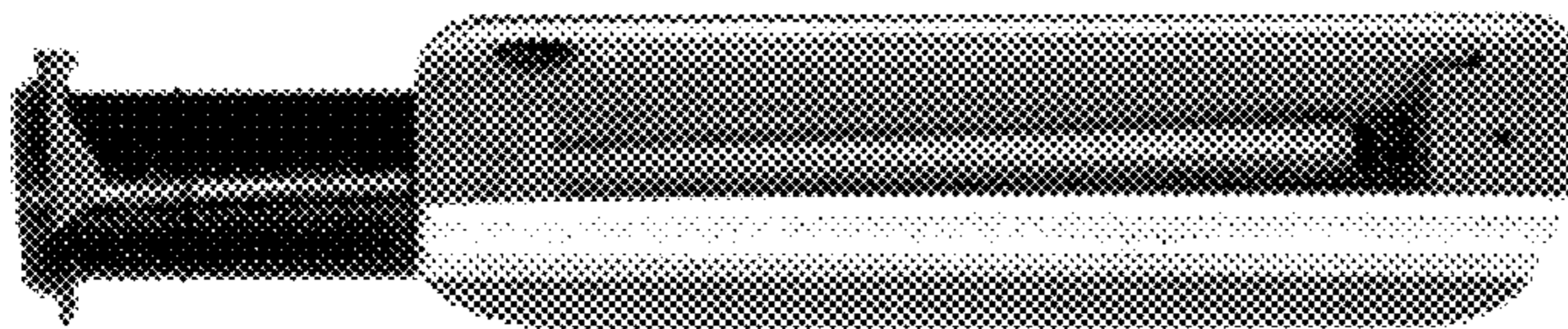


Fig. 12

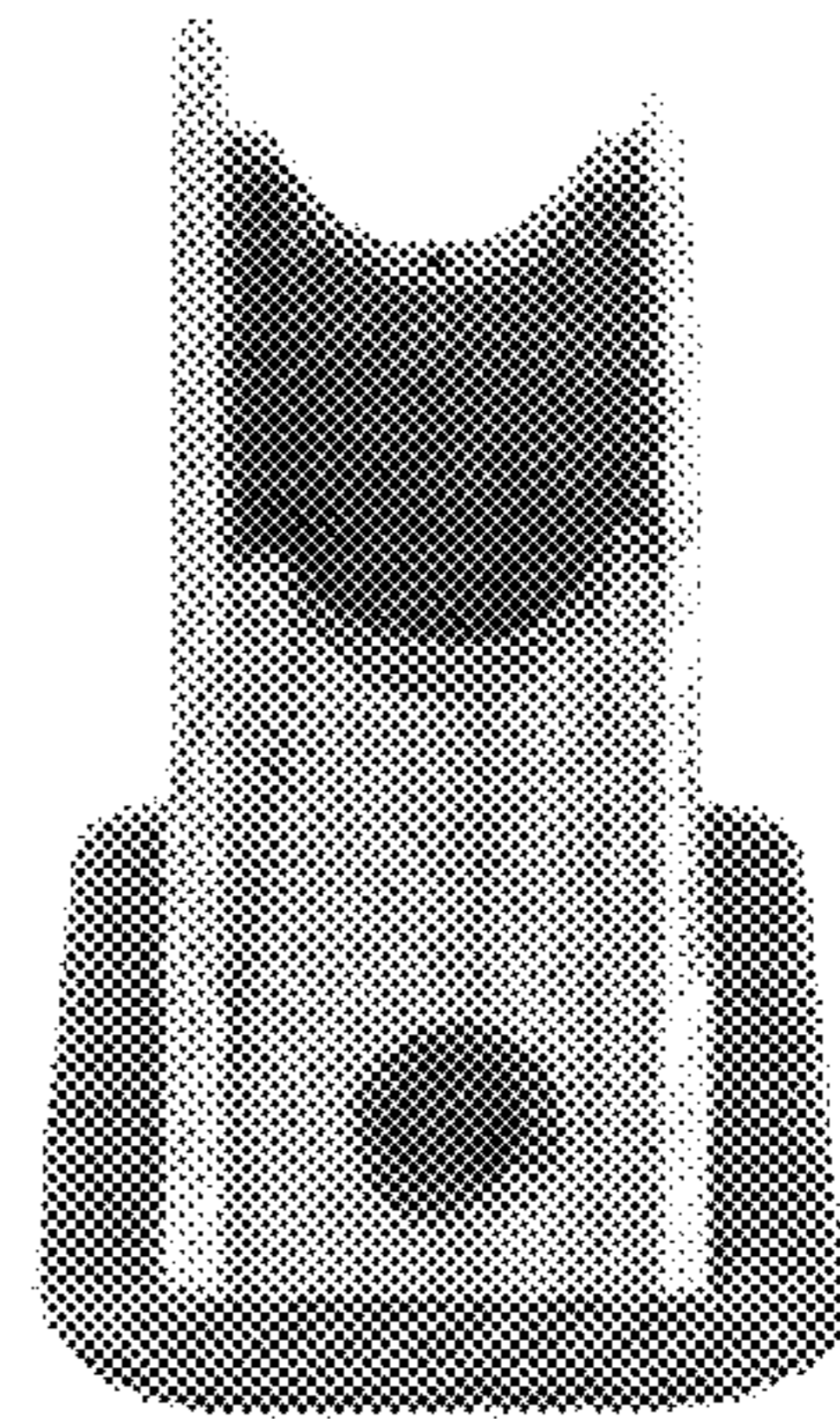


Fig. 13

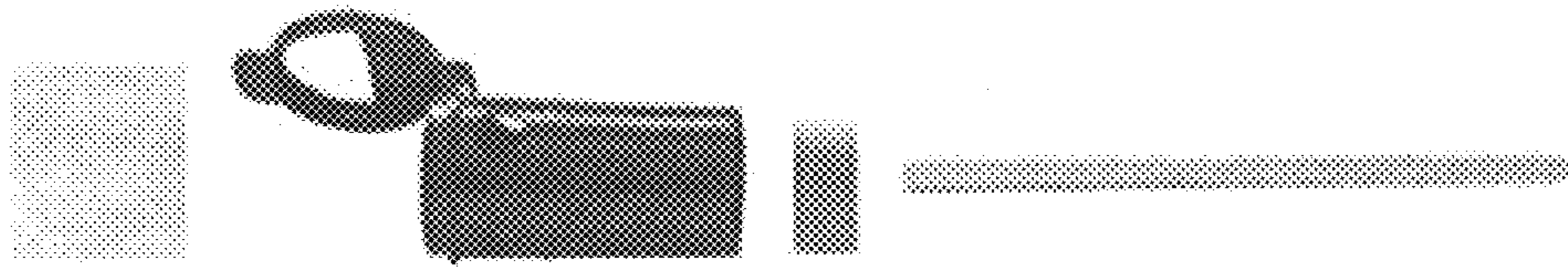


Fig. 14

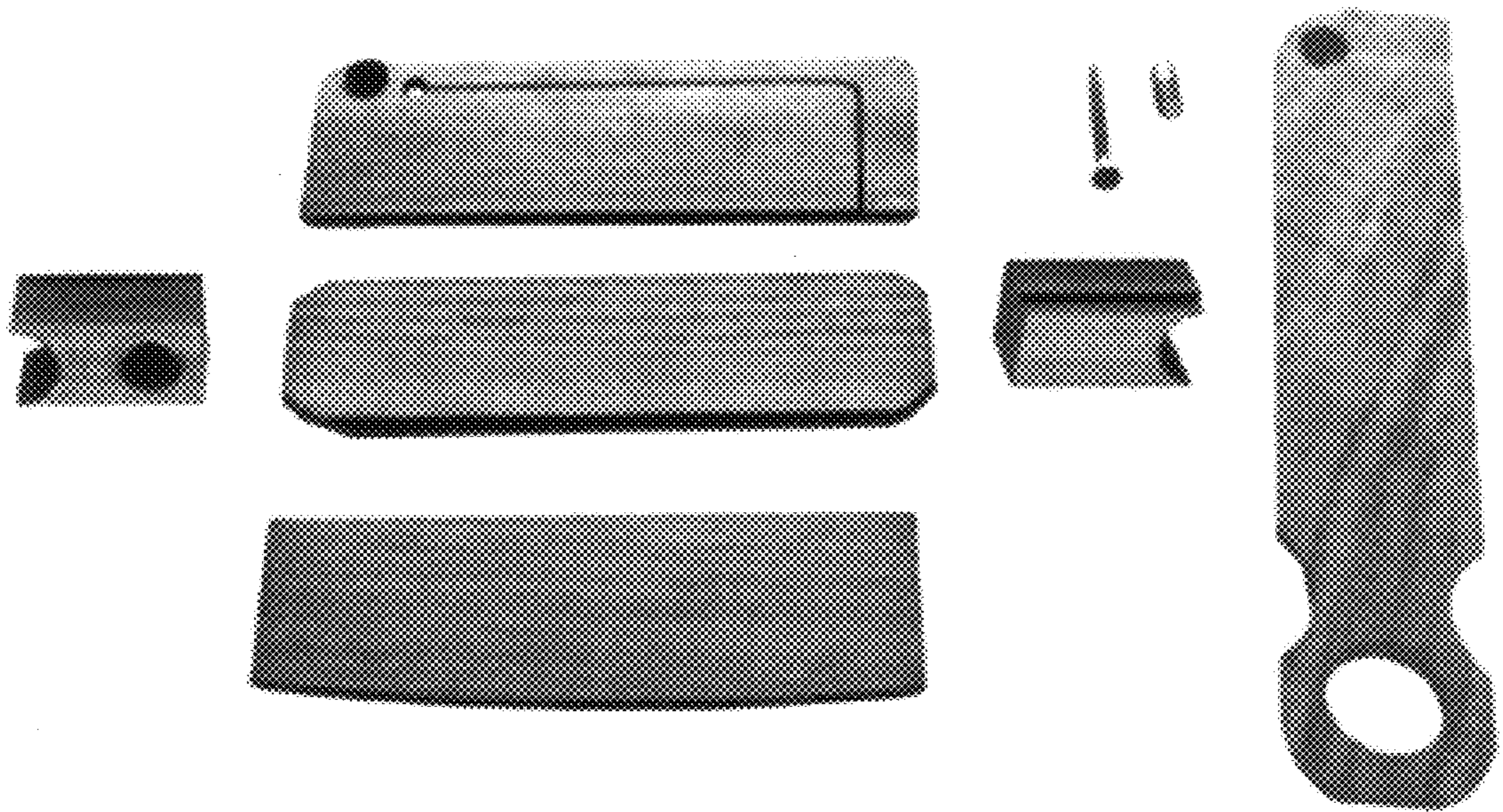


Fig. 15