



US00D472174S

(12) **United States Design Patent**  
**Puri et al.**

(10) **Patent No.:** **US D472,174 S**

(45) **Date of Patent:** **\*\* Mar. 25, 2003**

(54) **MEASURING WHEEL COUNTER MECHANISM**

(75) Inventors: **Ash Puri**, West Lafayette, IN (US);  
**Vishu Puri**, New Delhi (IN); **Russell Forbes**, Chicago, IL (US); **Gregory Foster**, Chicago, IL (US)

(73) Assignee: **Chicago Steel Tape Company**,  
Waukegan, IL (US)

(\*\*) Term: **14 Years**

(21) Appl. No.: **29/161,479**

(22) Filed: **May 30, 2002**

(51) **LOC (7) Cl.** ..... **10-04**

(52) **U.S. Cl.** ..... **D10/97**

(58) **Field of Search** ..... D10/70, 97; 33/781,  
33/782; 235/95 R

(56) **References Cited**

**U.S. PATENT DOCUMENTS**

3,673,693 A	7/1972	Evans, Jr.	
3,922,793 A	12/1975	Gandrud	
4,176,458 A	12/1979	Dunn	
5,052,687 A	* 10/1991	Katerba	33/781 X
D437,796 S	* 2/2001	Risi	D10/97

**OTHER PUBLICATIONS**

Handy Wheel Measuring Wheel Webpage, Oct. 11, 2000.  
Roper Lock Box, LLC Webpage, Oct. 11, 2000.  
Rotasure Webpage, Oct. 11, 2000.

CST catalog p. 45, year 2000–2001.

Rolatape Webpage, Oct. 6, 2000.

Redington Counters Webpage, Oct. 11, 2000.

Cover page of Trumeter Brochure, no date.

\* cited by examiner

*Primary Examiner*—Antoine Duval Davis

(74) *Attorney, Agent, or Firm*—Lee, Mann, Smith,  
McWilliams, Sweeney and Ohlson

(57) **CLAIM**

The ornamental design for a measuring wheel counter mechanism, as shown and described.

**DESCRIPTION**

FIG. 1 is a perspective view of a new design for a measuring wheel counter mechanism according to our invention illustrating the top, front and left view thereof;

FIG. 2 is a top view thereof;

FIG. 3 is a front view thereof;

FIG. 4 is a rear view thereof;

FIG. 5 is a left view thereof;

FIG. 6 is a bottom view thereof; and,

FIG. 7 is a right view thereof.

**1 Claim, 4 Drawing Sheets**

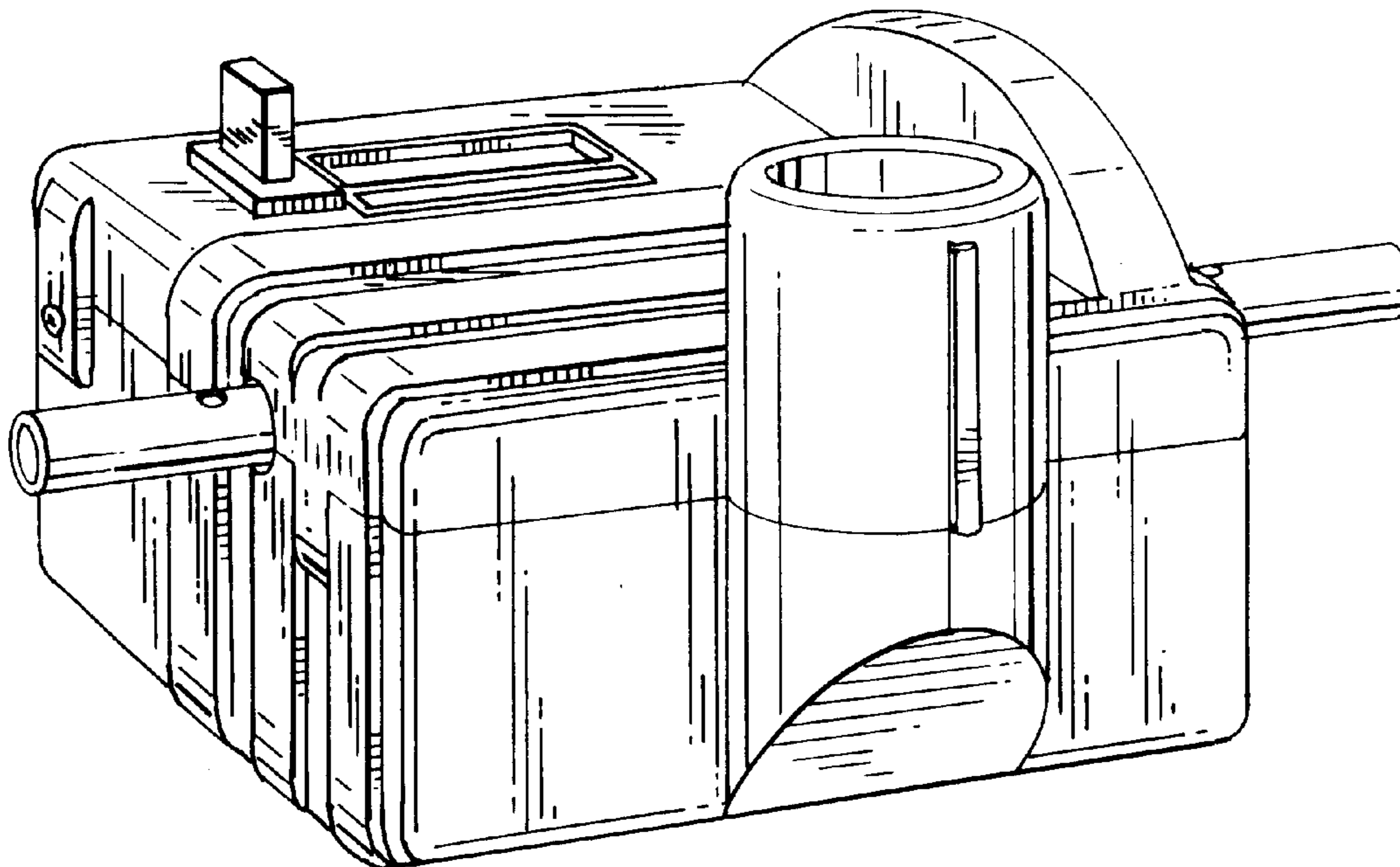


FIG. 1

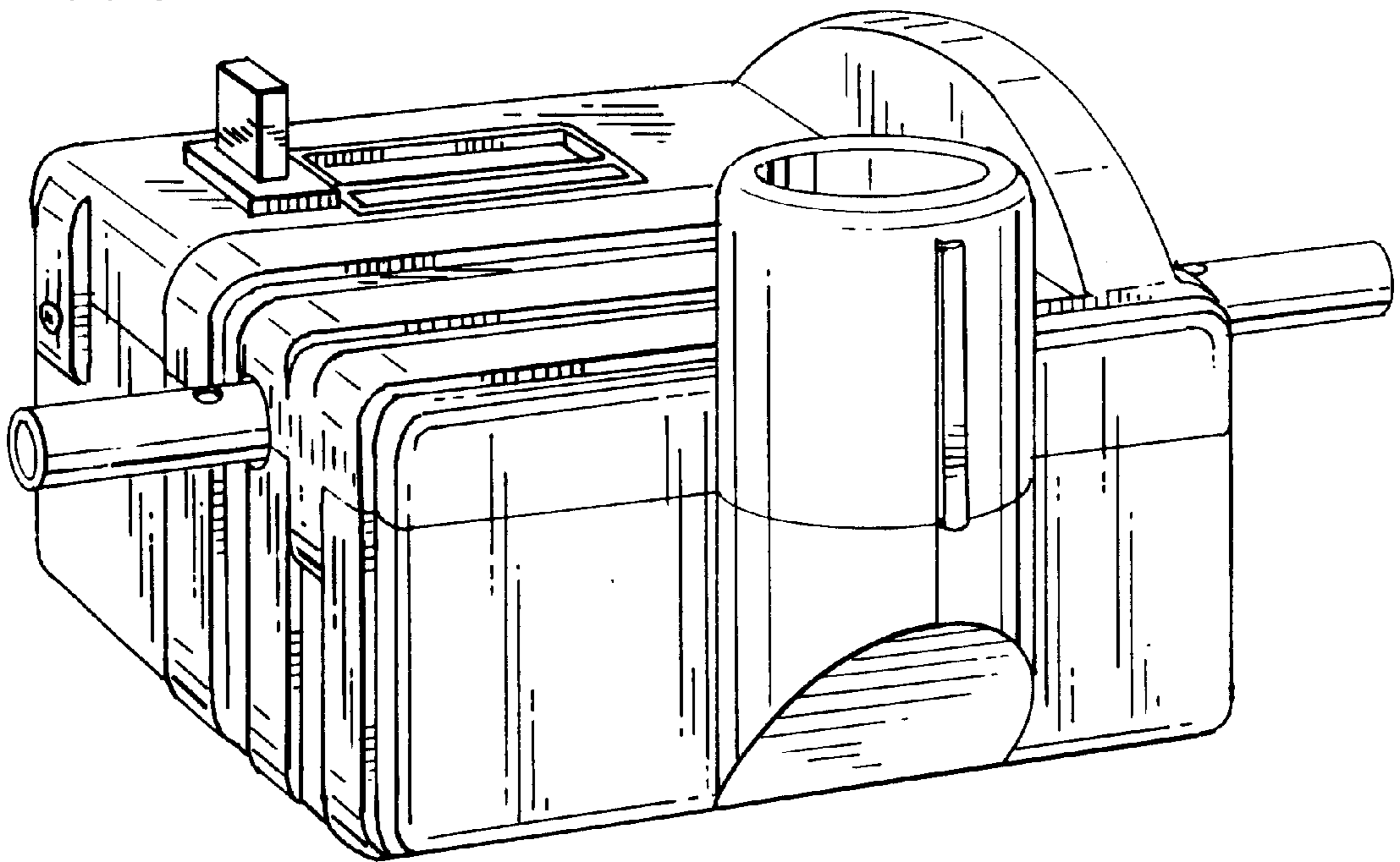


FIG. 2

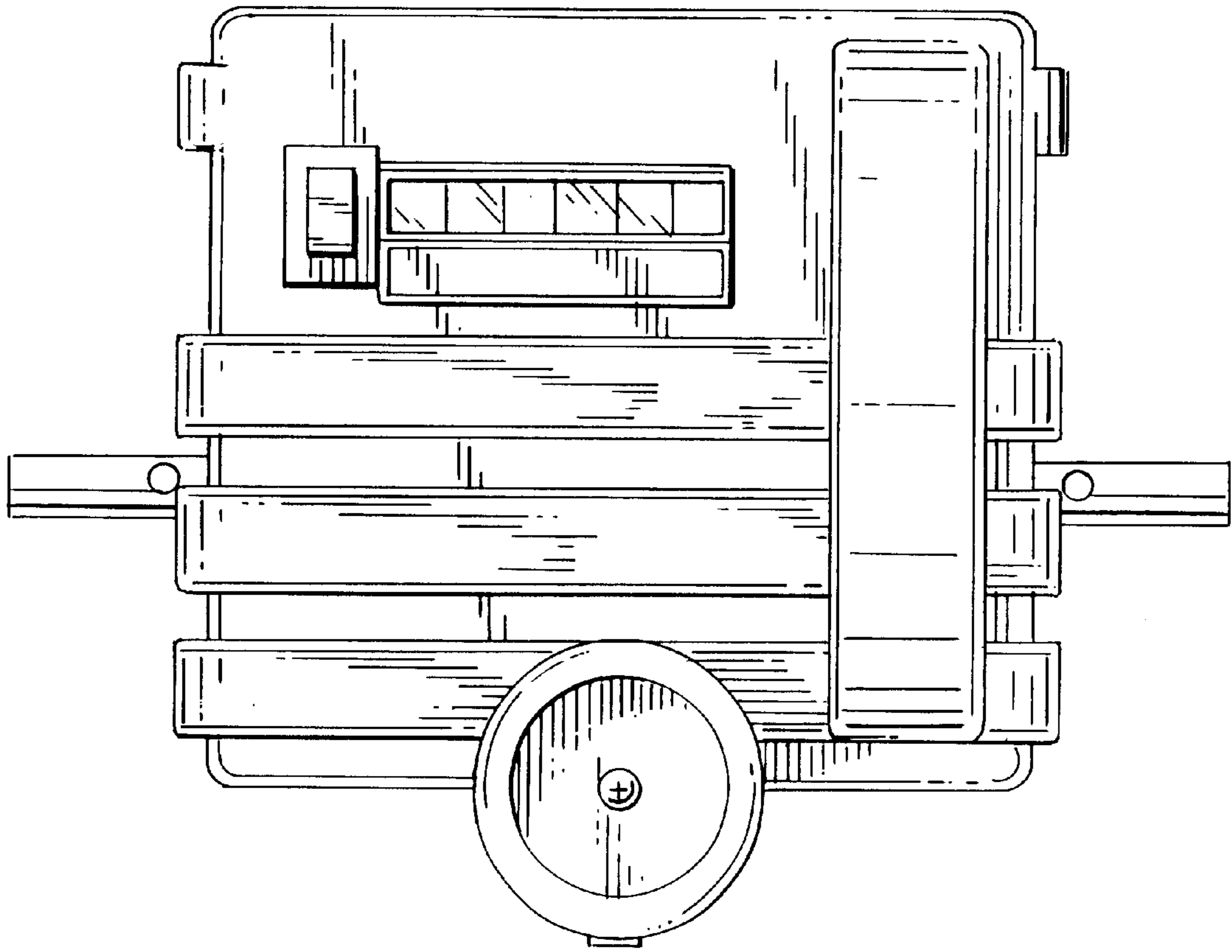


FIG. 3

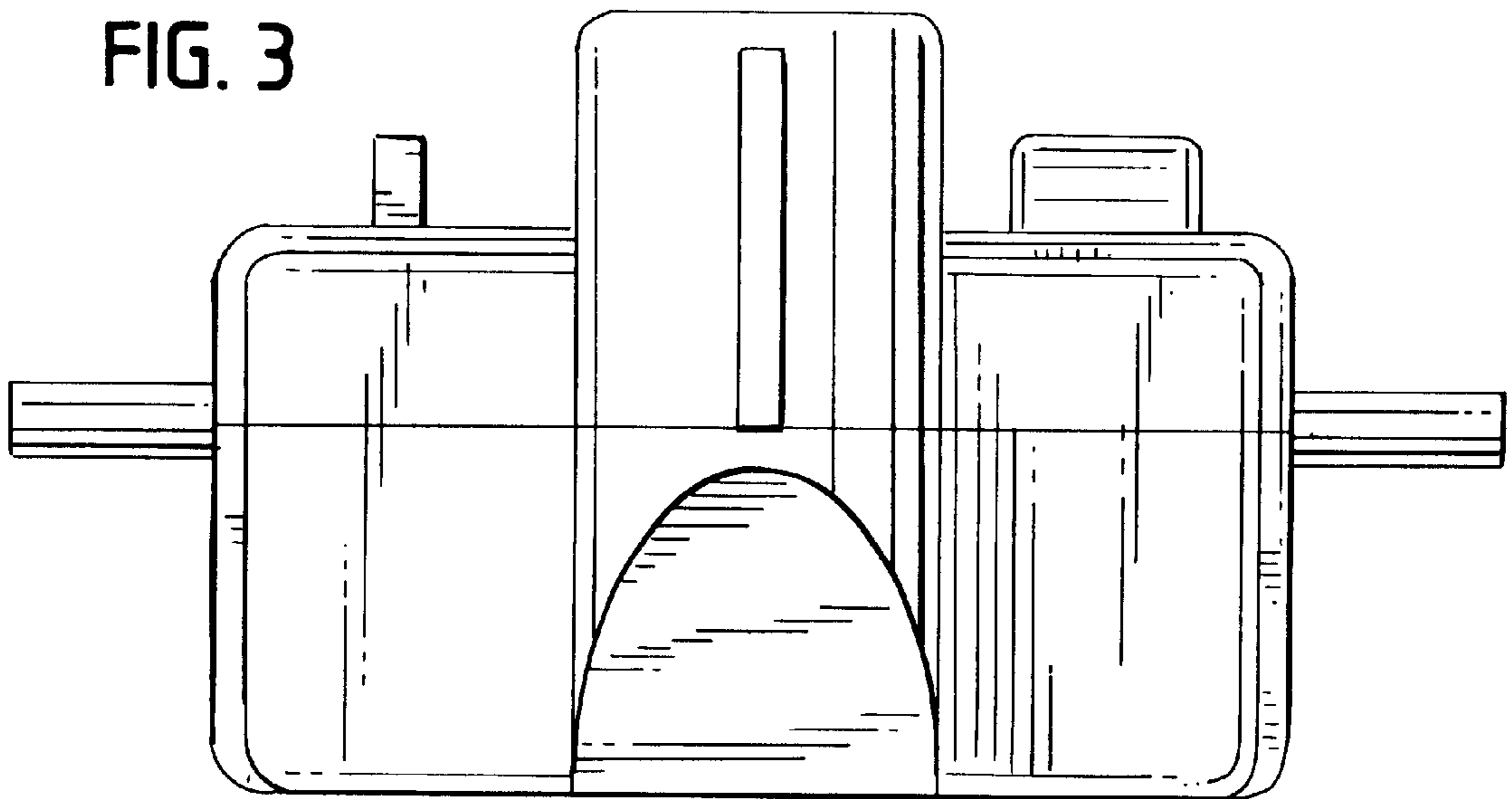


FIG. 4

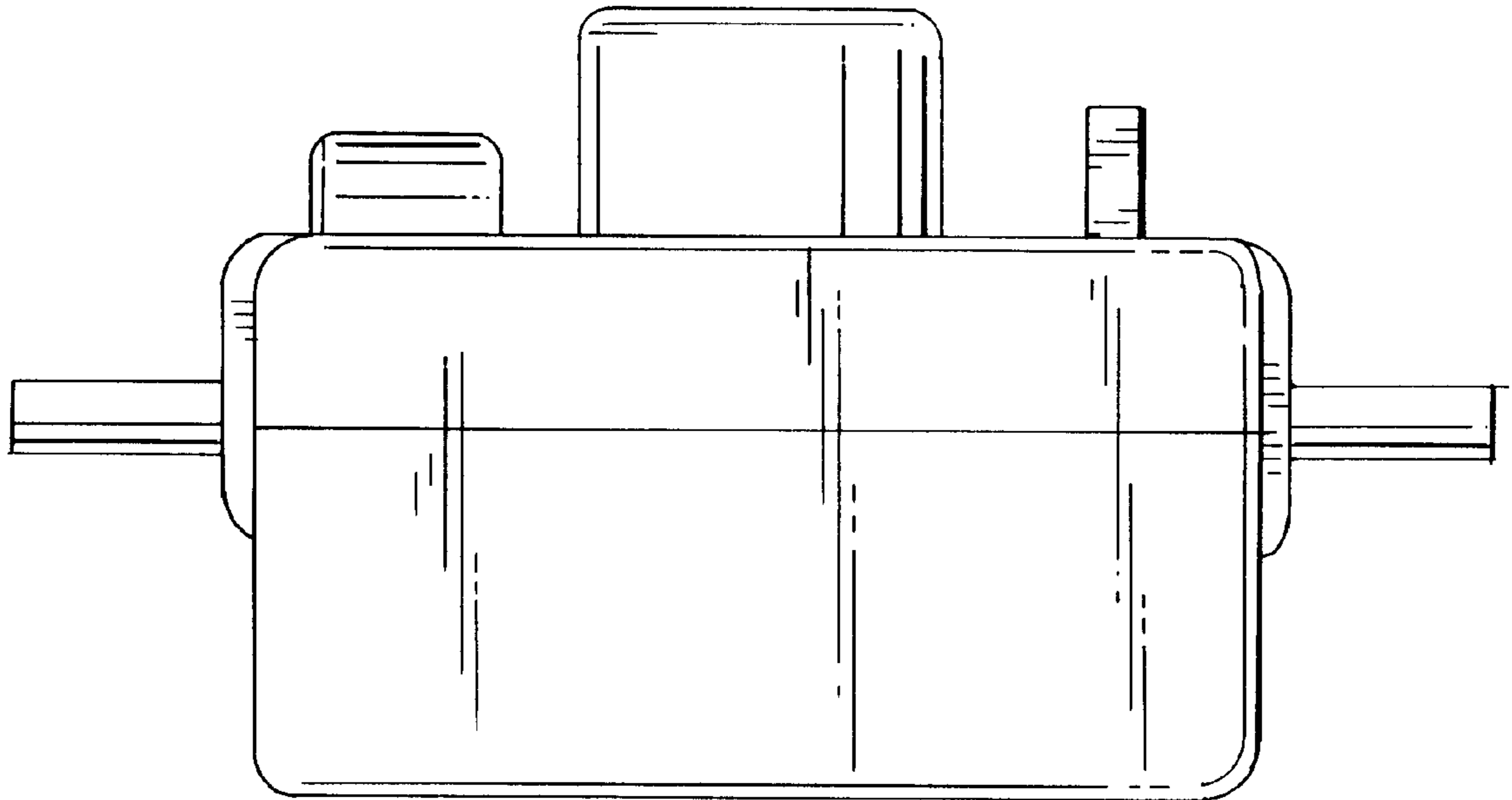


FIG. 5

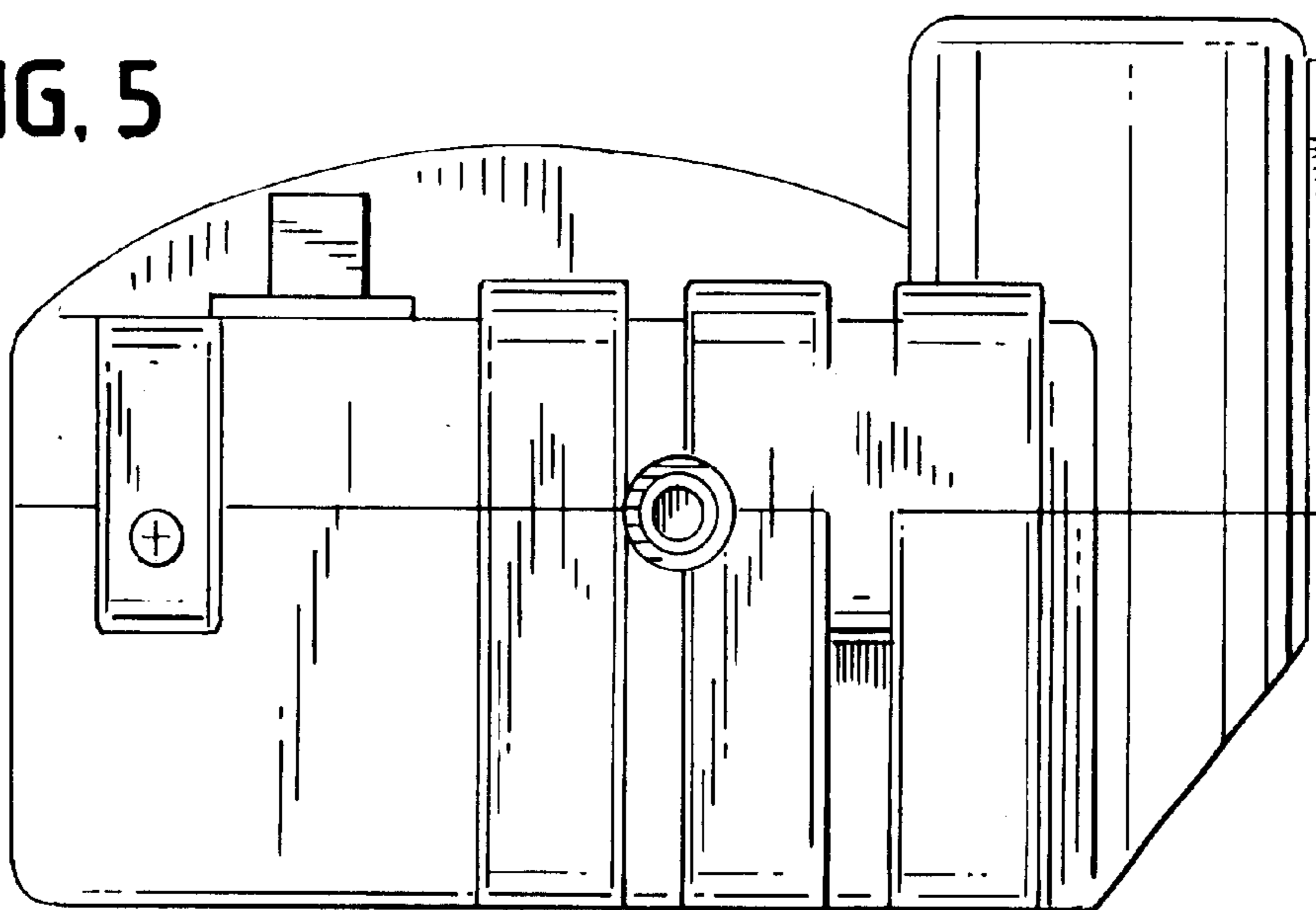


FIG. 6

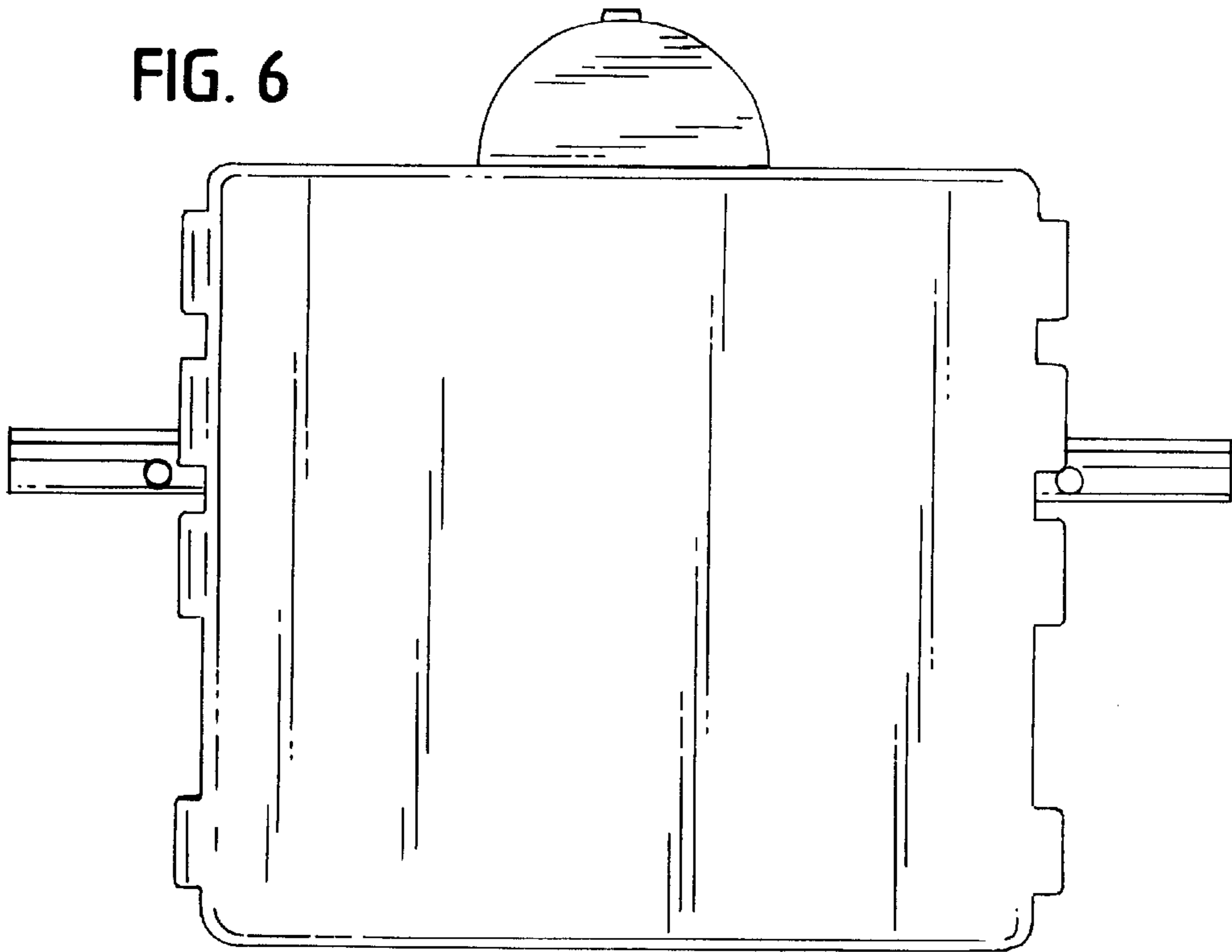


FIG. 7

