



US00D472173S

(12) **United States Design Patent**
Bouhuys et al.

(10) **Patent No.:** **US D472,173 S**

(45) **Date of Patent:** **** Mar. 25, 2003**

(54) **WEIGHING SCALE**

D458,552 S * 6/2002 Ekelund D10/91

(76) Inventors: **Louis Johan Bouhuys**, Willemstraat 16,
Groningen, PRC (NL), 9725 JC; **Oscar**
Enrique Peña Angarita, 13, Great
James Street, London (GB), WC1 N
3DP

* cited by examiner

Primary Examiner—Antoine Duval Davis
(74) *Attorney, Agent, or Firm*—Ernestine C. Bartlett

(**) Term: **14 Years**

(57) **CLAIM**

The ornamental design for a weighing scale, as shown.

(21) Appl. No.: **29/163,254**

(22) Filed: **Jul. 1, 2002**

(30) **Foreign Application Priority Data**

Jan. 8, 2002 (XH) DMA/005 565

(51) **LOC (7) Cl.** **10-04**

(52) **U.S. Cl.** **D10/91**

(58) **Field of Search** D10/91; 177/25.13–25.18,
177/238–245, 262

DESCRIPTION

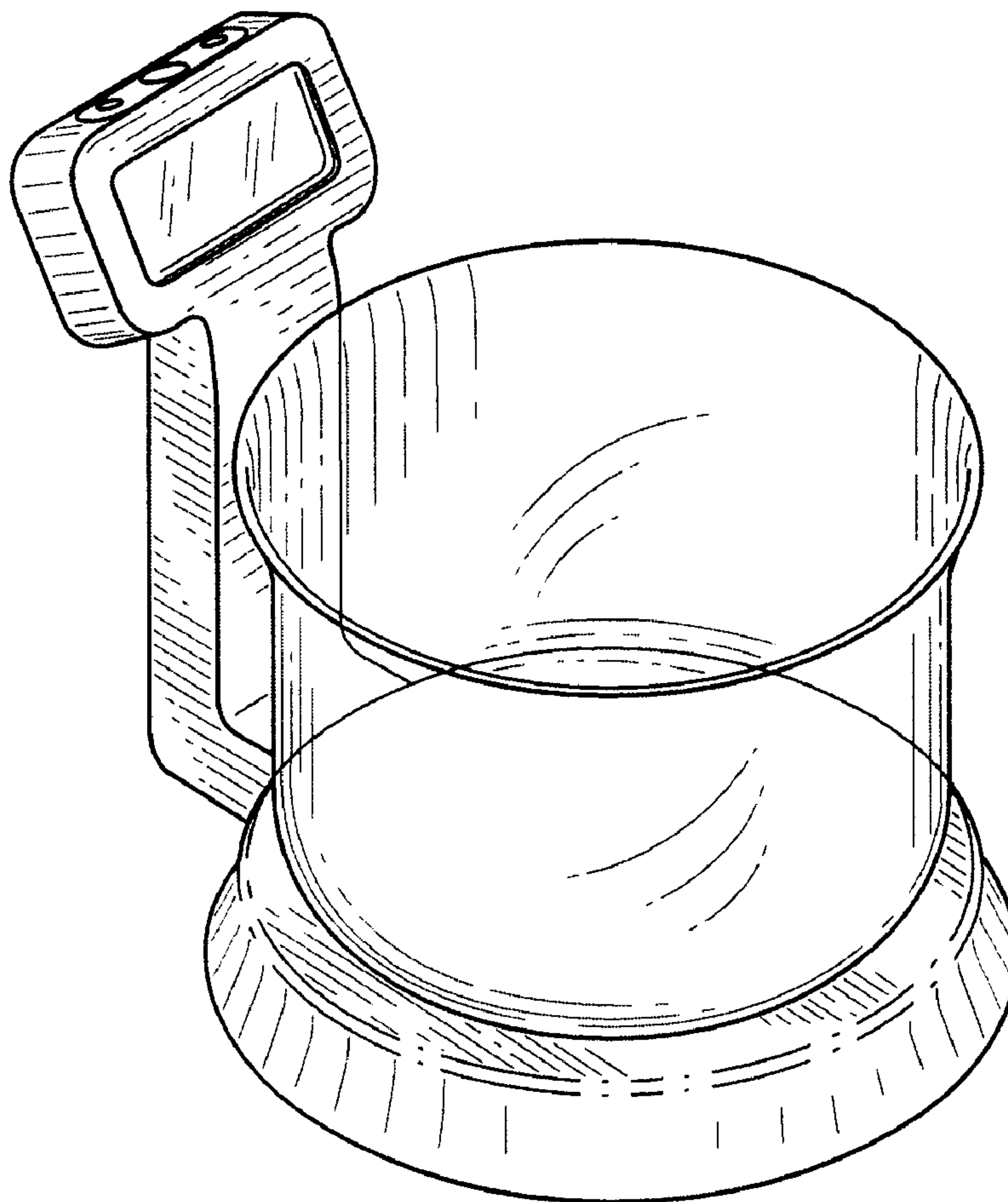
FIG. 1 is a perspective view showing my design;
FIG. 2 is a front elevational view thereof;
FIG. 3 is a rear elevational view thereof;
FIG. 4 is a left side elevational view thereof;
FIG. 5 is a right side elevational view thereof;
FIG. 6 is a top plan view thereof; and,
FIG. 7 is a bottom plan view thereof.

(56) **References Cited**

U.S. PATENT DOCUMENTS

D436,324 S * 1/2001 Weiss D10/91

1 Claim, 4 Drawing Sheets



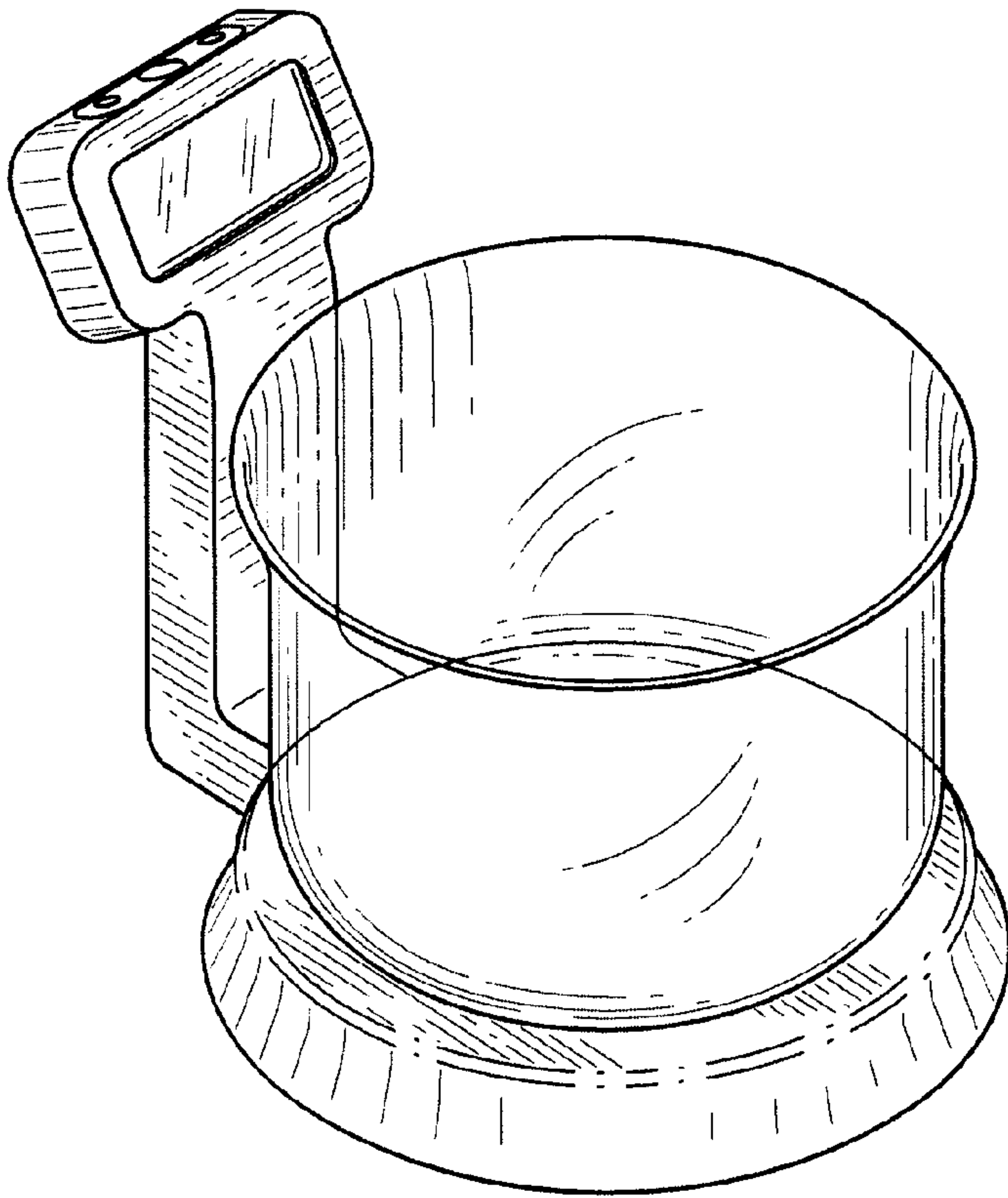


FIG. 1

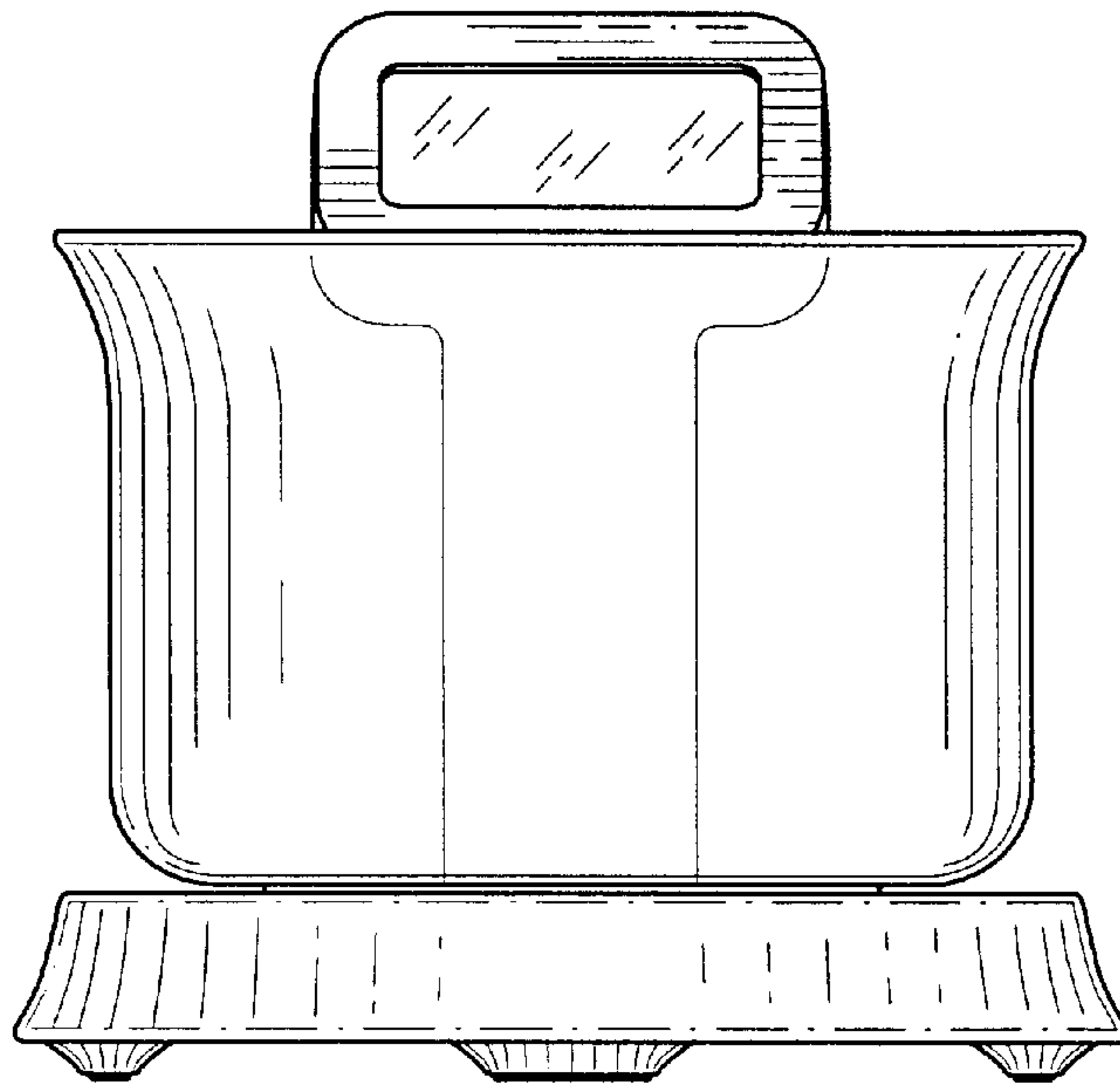


FIG. 2

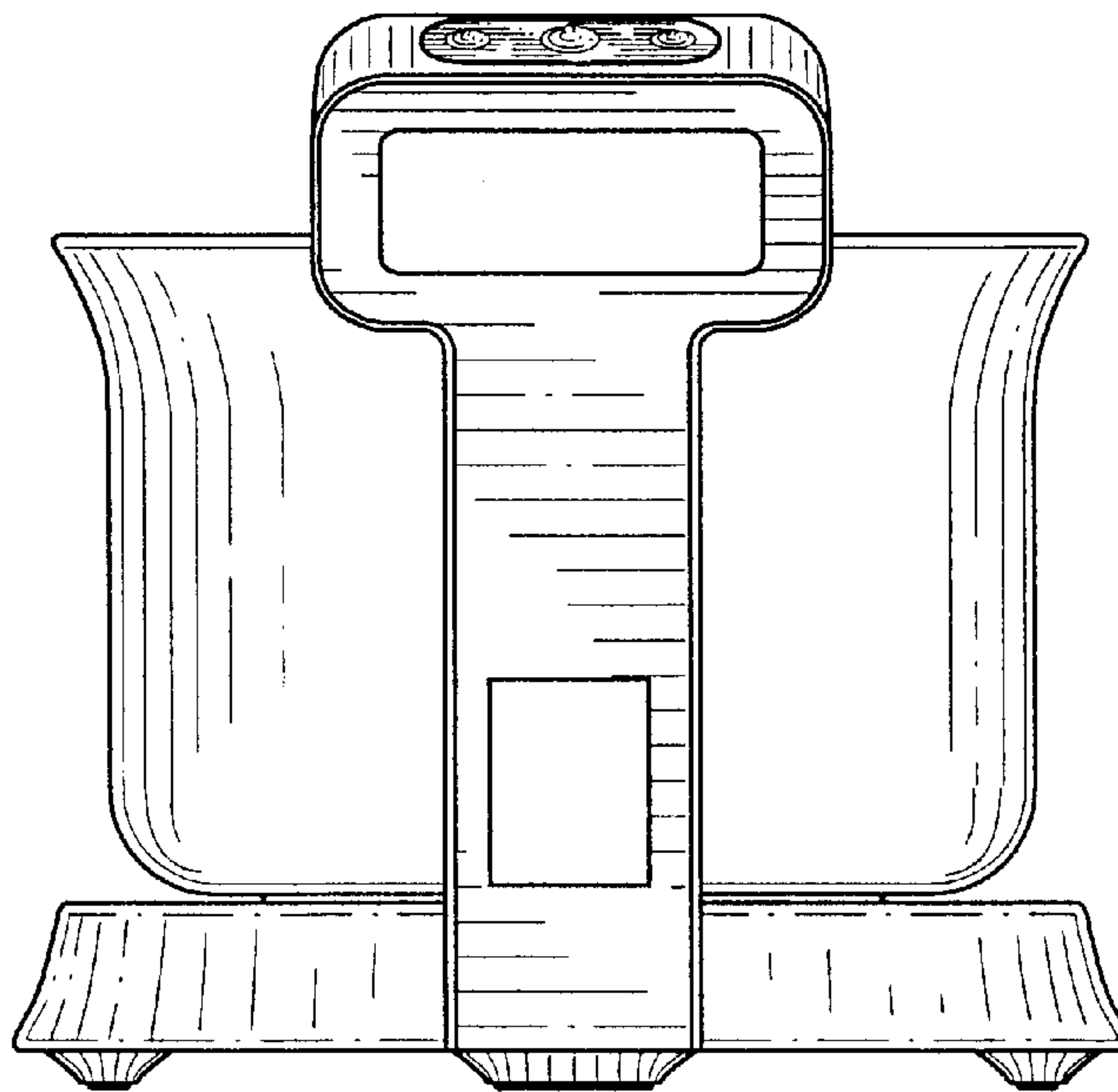


FIG. 3

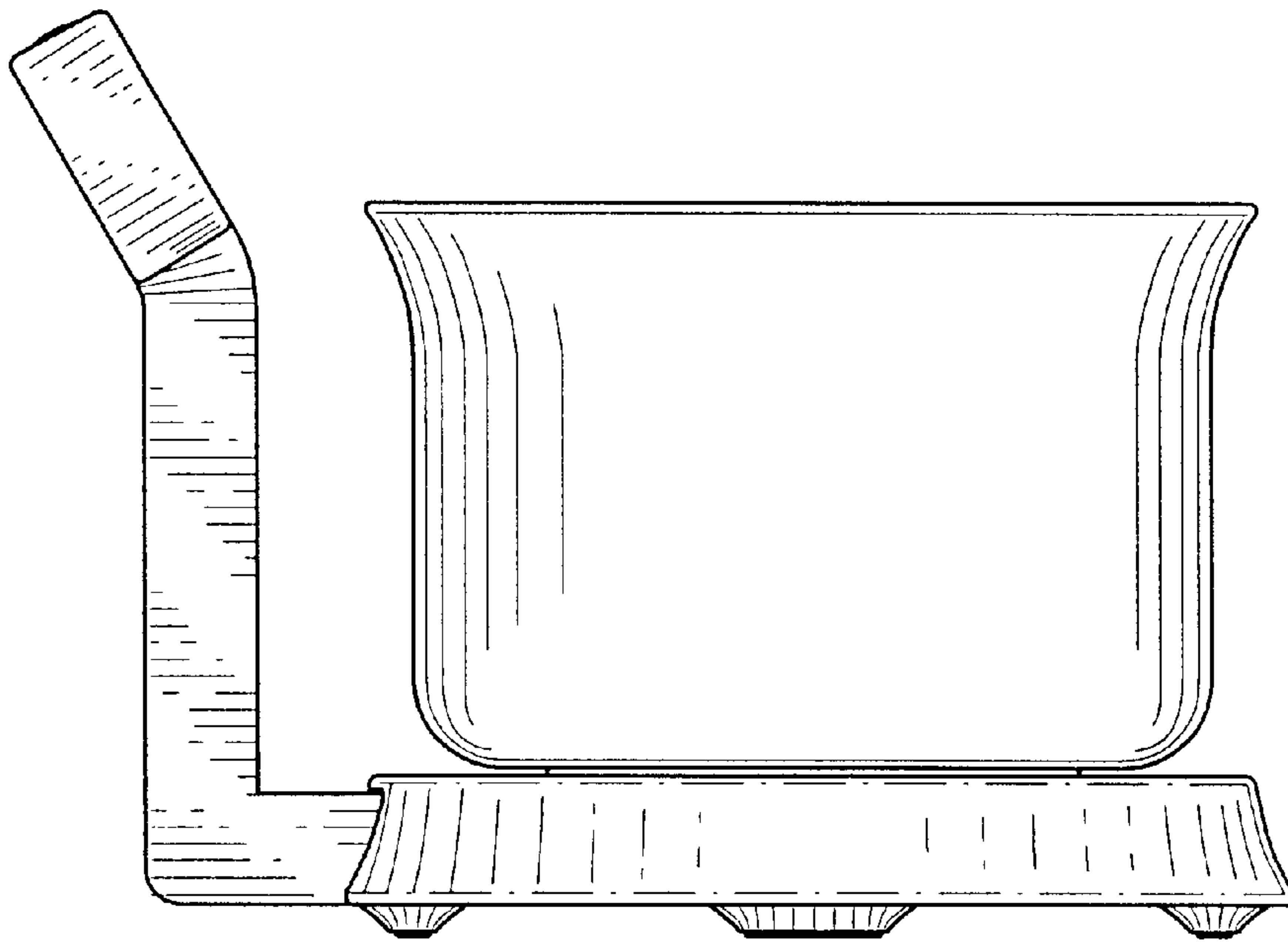


FIG. 4

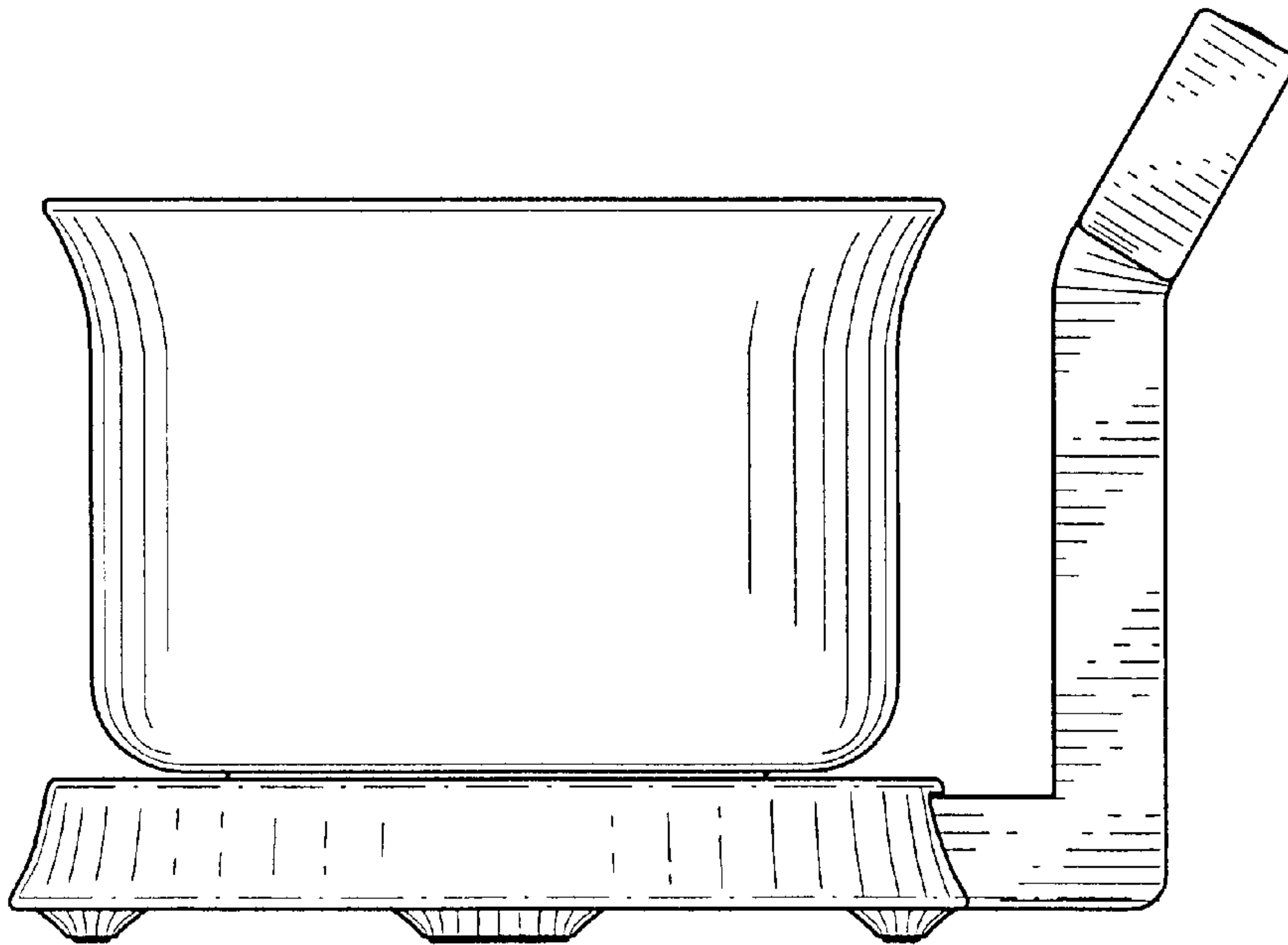


FIG. 5

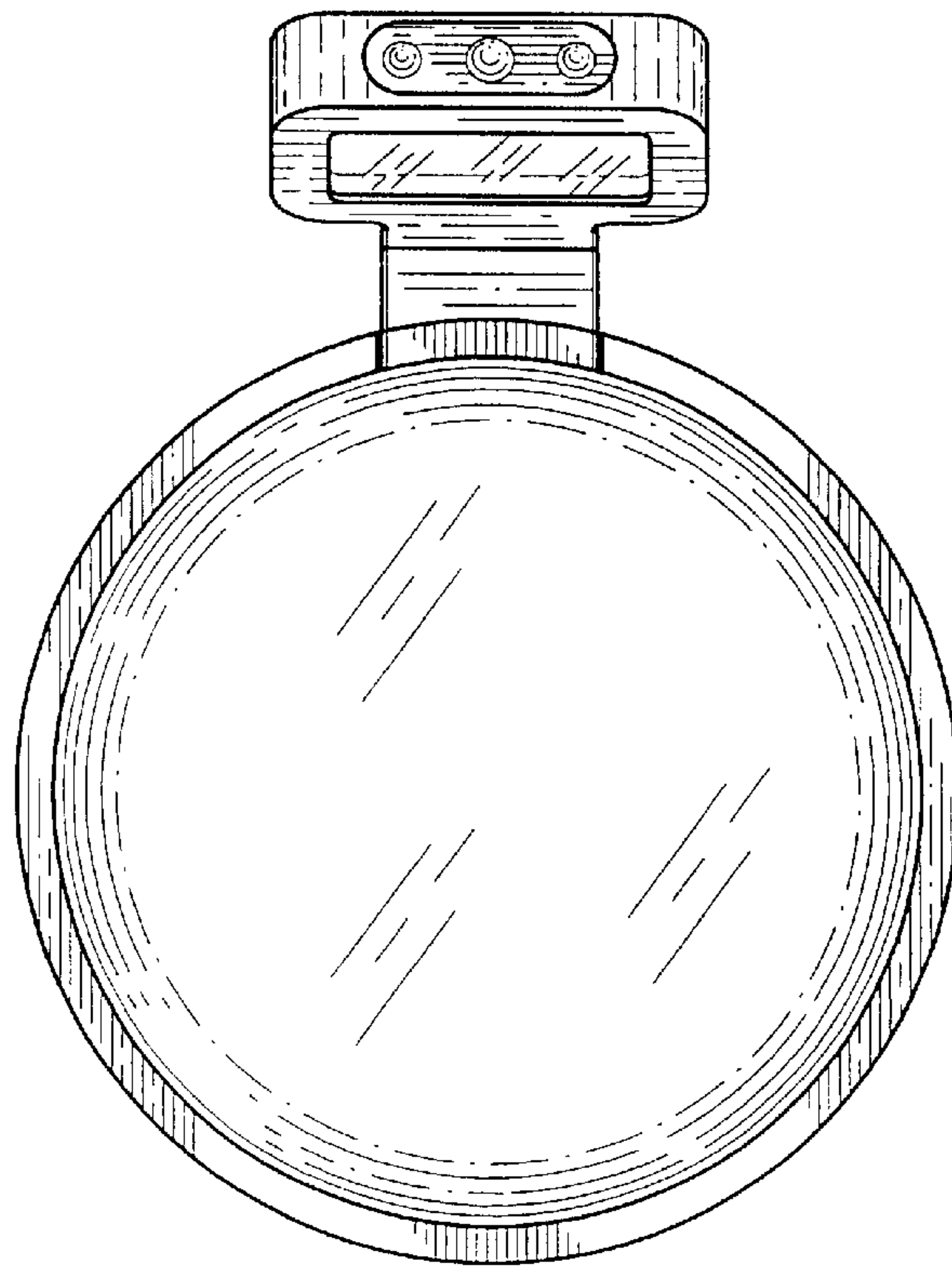


FIG. 6

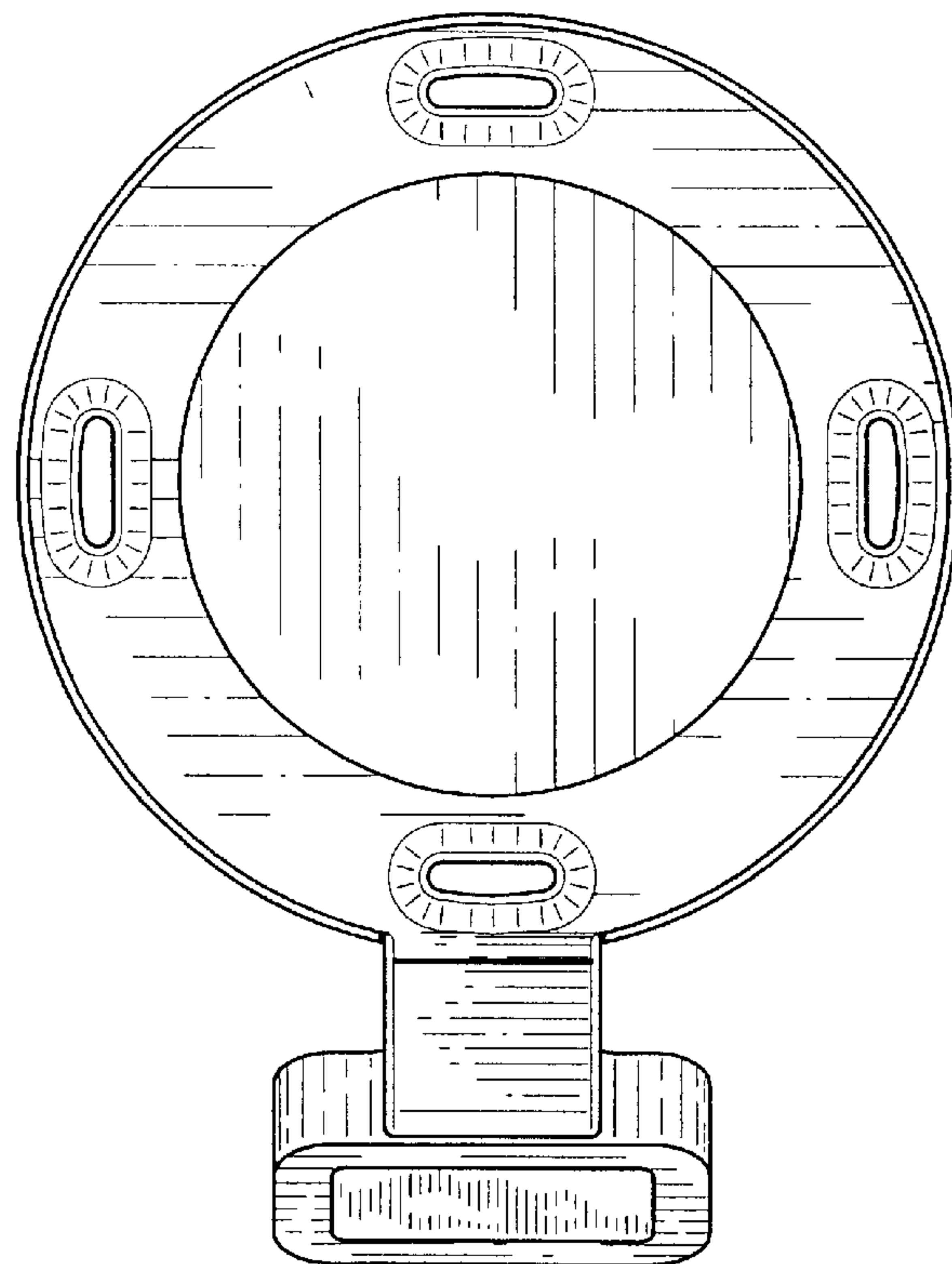


FIG. 7

UNITED STATES PATENT AND TRADEMARK OFFICE
CERTIFICATE OF CORRECTION

PATENT NO. : Des. 472,173 S
DATED : March 25, 2003
INVENTOR(S) : Louis Johan Bouhuys et al.

Page 1 of 1

It is certified that error appears in the above-identified patent and that said Letters Patent is hereby corrected as shown below:

Title page,

Item [73], Assignee, should read as follows:

-- [73] Assignee: **Koninklijke Philips Electronics N.V.**, Eindhoven (NL) --.

Signed and Sealed this

Fourteenth Day of October, 2003

A handwritten signature in black ink, appearing to read 'James E. Rogan', with a horizontal line drawn underneath it.

JAMES E. ROGAN
Director of the United States Patent and Trademark Office