



US00D472171S

(12) **United States Design Patent**  
**Wrisley et al.**

(10) **Patent No.:** **US D472,171 S**

(45) **Date of Patent:** **\*\* Mar. 25, 2003**

(54) **MEASUREMENT INSTRUMENT HOUSING**

(75) Inventors: **Jerry L. Wrisley**, Beaverton, OR (US);  
**James H. Mc Grath, Jr.**, Aloha, OR  
(US); **Kevin C. Ayers**, Beaverton, OR  
(US)

(73) Assignee: **Tektronix, Inc.**, Beaverton, OR (US)

(\*\*) Term: **14 Years**

(21) Appl. No.: **29/152,697**

(22) Filed: **Dec. 20, 2001**

(51) **LOC (7) Cl.** ..... **10-04**

(52) **U.S. Cl.** ..... **D10/76**

(58) **Field of Search** ..... D10/78, 76; 324/102,  
324/112, 121 R; 340/734, 747, 798; 364/487

(56) **References Cited**

**U.S. PATENT DOCUMENTS**

|           |   |   |         |               |       |         |   |   |
|-----------|---|---|---------|---------------|-------|---------|---|---|
| 4,972,138 | A | * | 11/1990 | Bush          | ..... | 324/121 | R | X |
| 4,977,514 | A | * | 12/1990 | Bush          | ..... | 324/121 | R | X |
| 5,003,248 | A | * | 3/1991  | Johnson       | ..... | 324/121 | R |   |
| 5,247,287 | A | * | 9/1993  | Jonker et al. | ..... | 324/121 | R |   |
| D413,823  | S |   | 9/1999  | Dobyns et al. |       |         |   |   |

\* cited by examiner

*Primary Examiner*—Antoine Duval Davis

(74) *Attorney, Agent, or Firm*—William K. Bucher

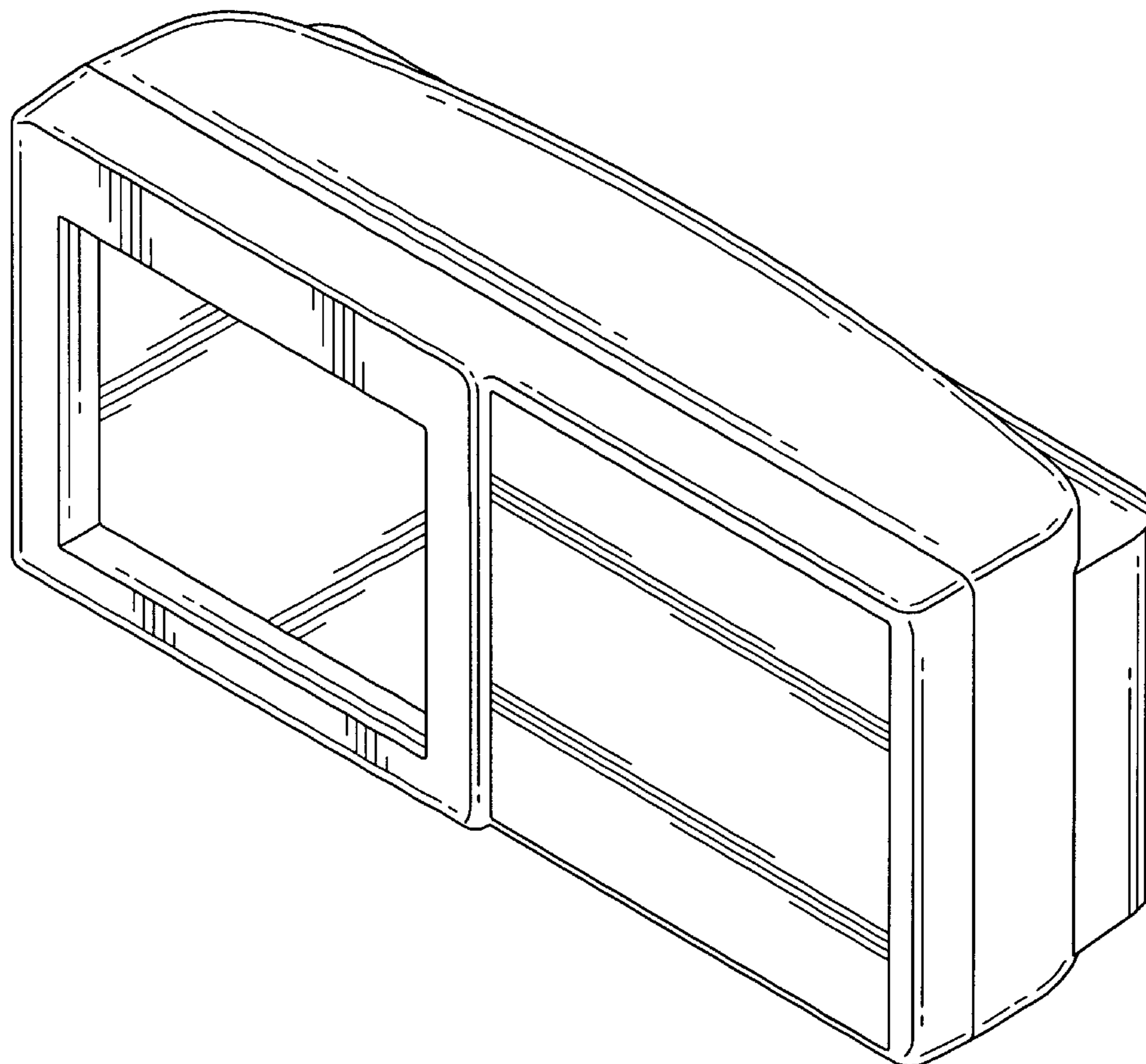
(57) **CLAIM**

The ornamental design of a measurement instrument housing, as shown and described.

**DESCRIPTION**

The ornamental design disclosed in this application is for a measurement instrument housing having a rectangular protrusion extending from a portion of a curved rear surface. FIG. 1 is a perspective view of a measurement instrument housing; FIG. 2 is a front elevation view of the measurement instrument housing; FIG. 3 is a top plan view of the measurement instrument housing; FIG. 4 is a bottom plan view of the measurement instrument housing; FIG. 5 is a left side elevation view of the measurement instrument housing; FIG. 6 is a right side elevation view of the measurement instrument housing; and, FIG. 7 is a rear elevation view of the measurement instrument housing.

**1 Claim, 6 Drawing Sheets**



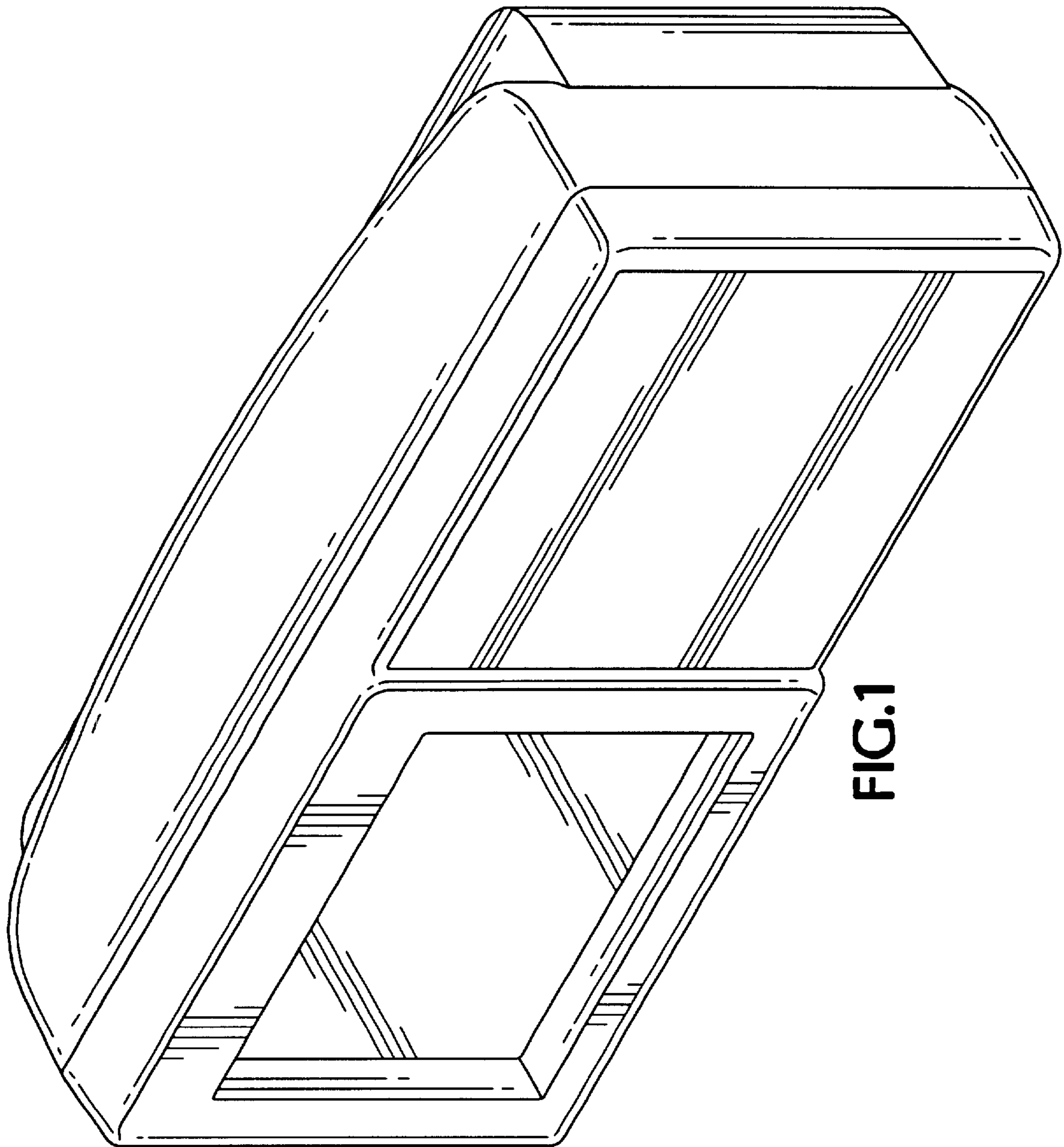


FIG. 1

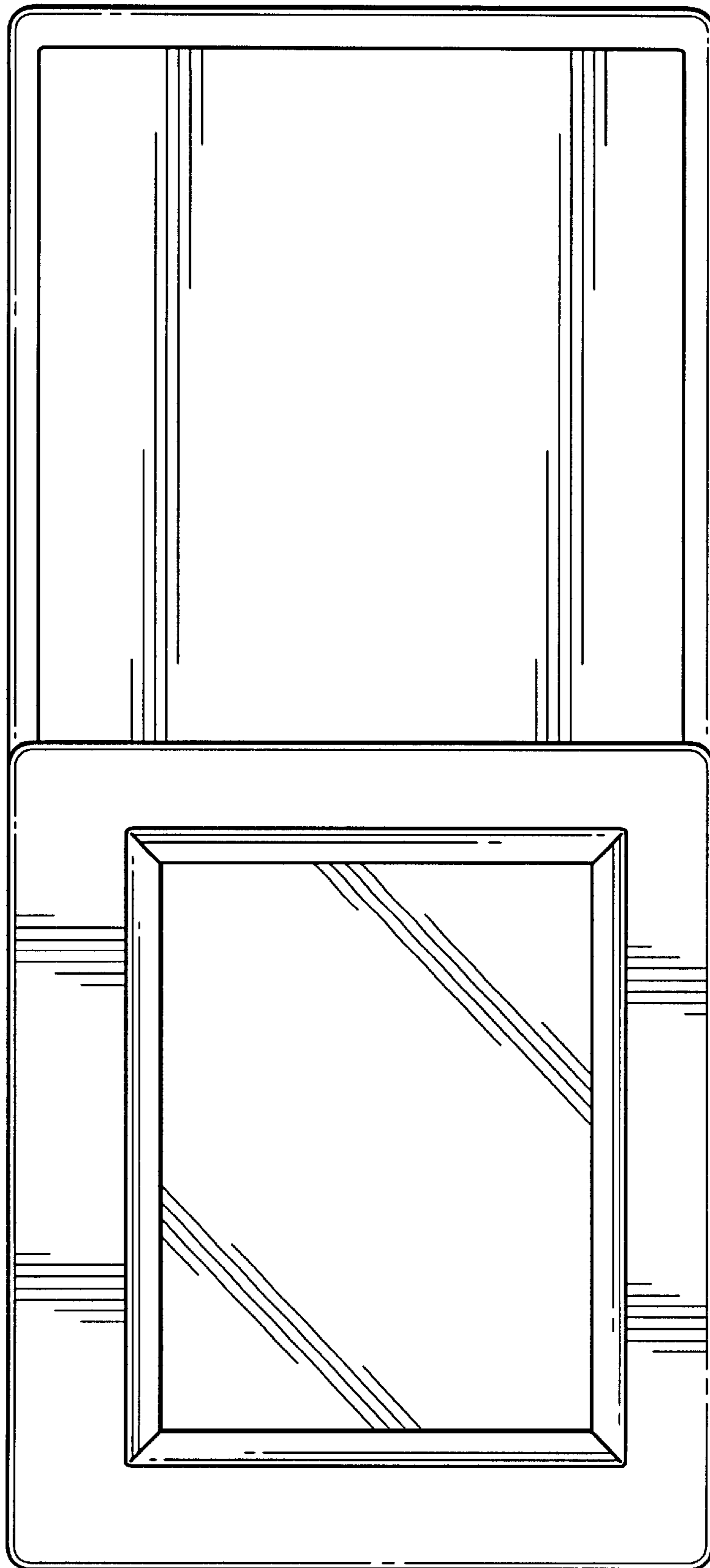


FIG. 2

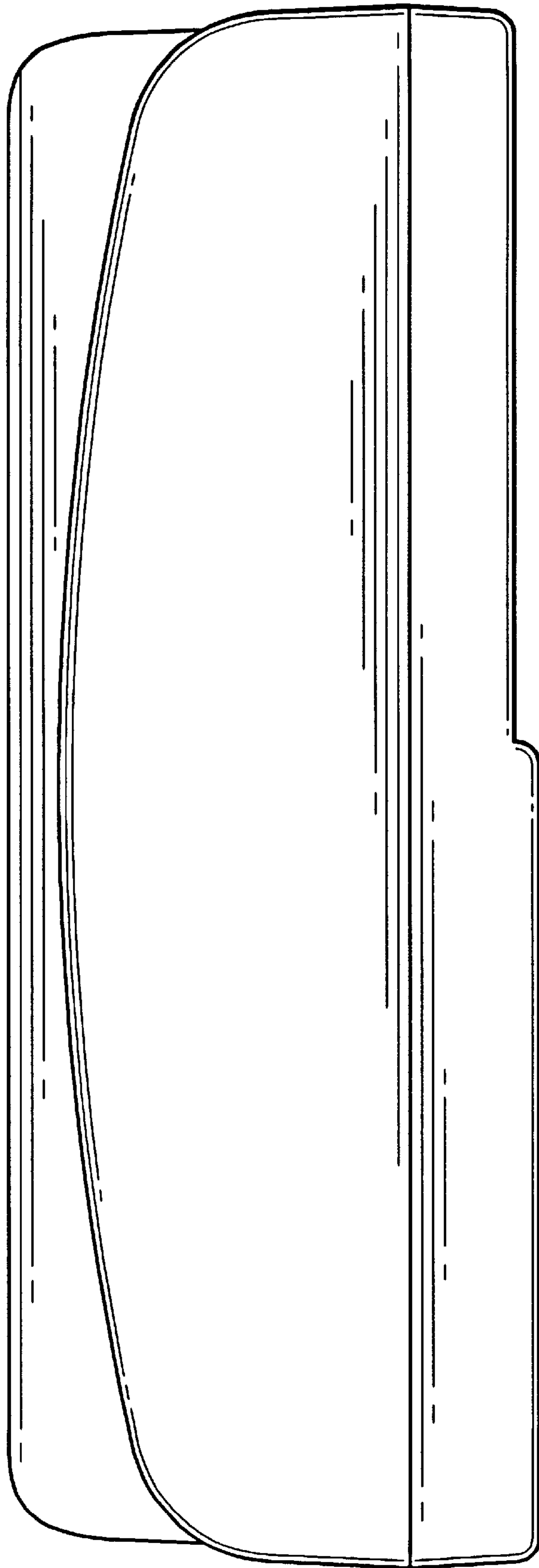


FIG.3

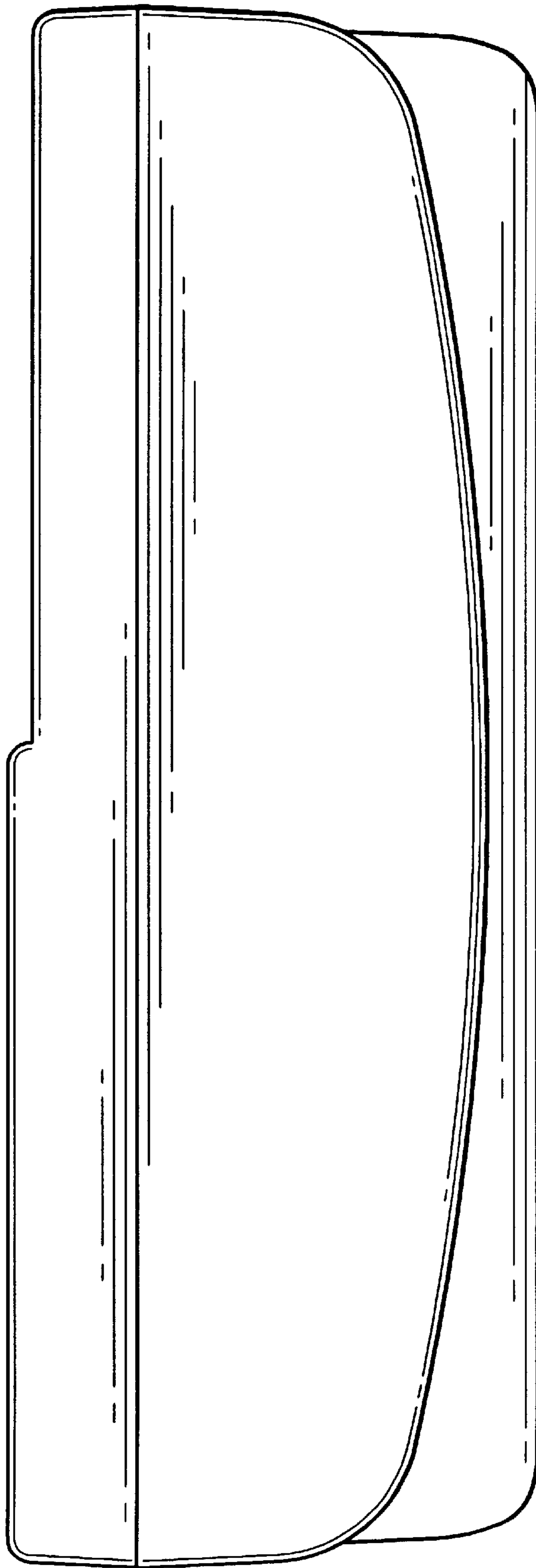


FIG.4

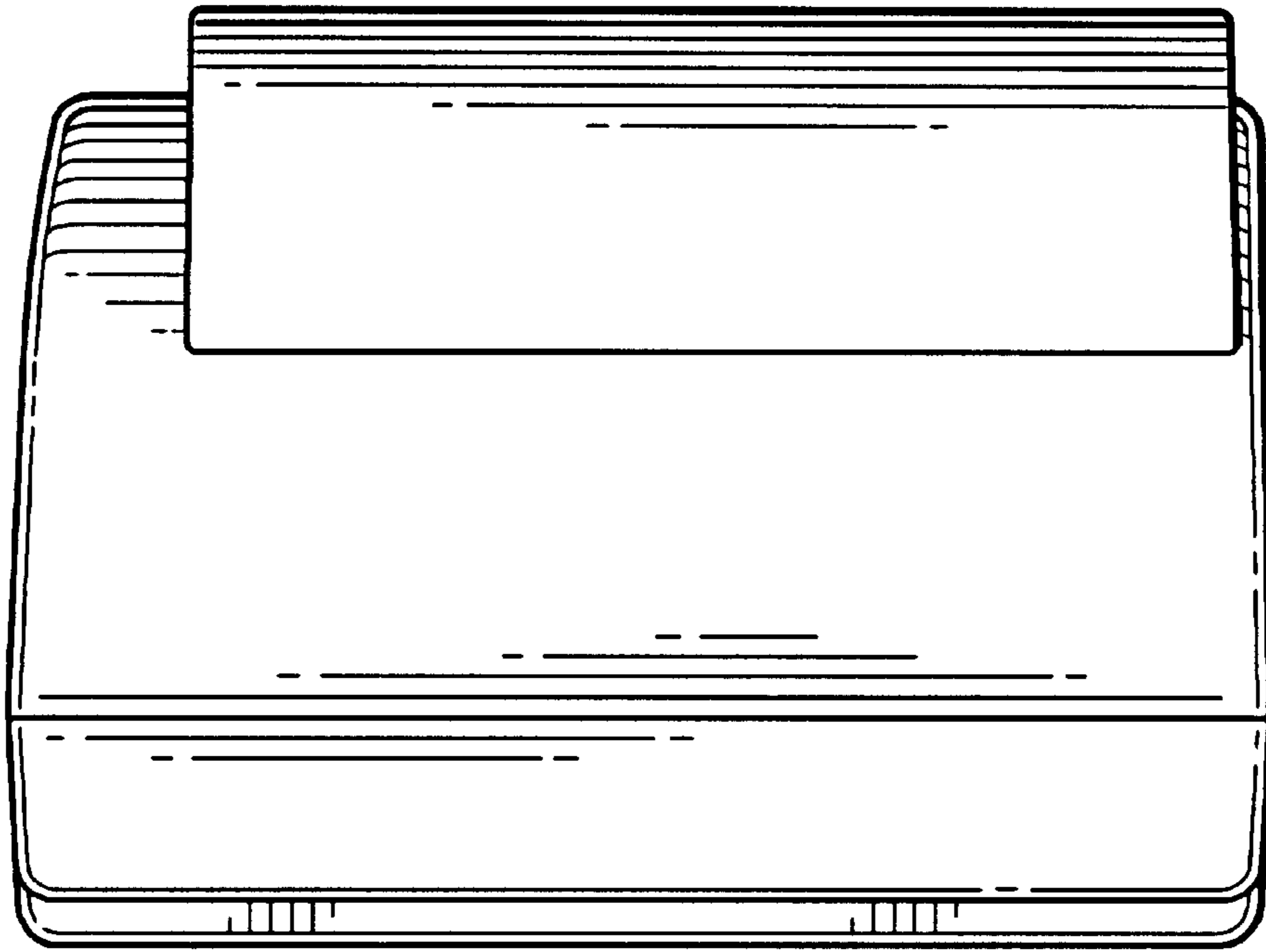


FIG. 5

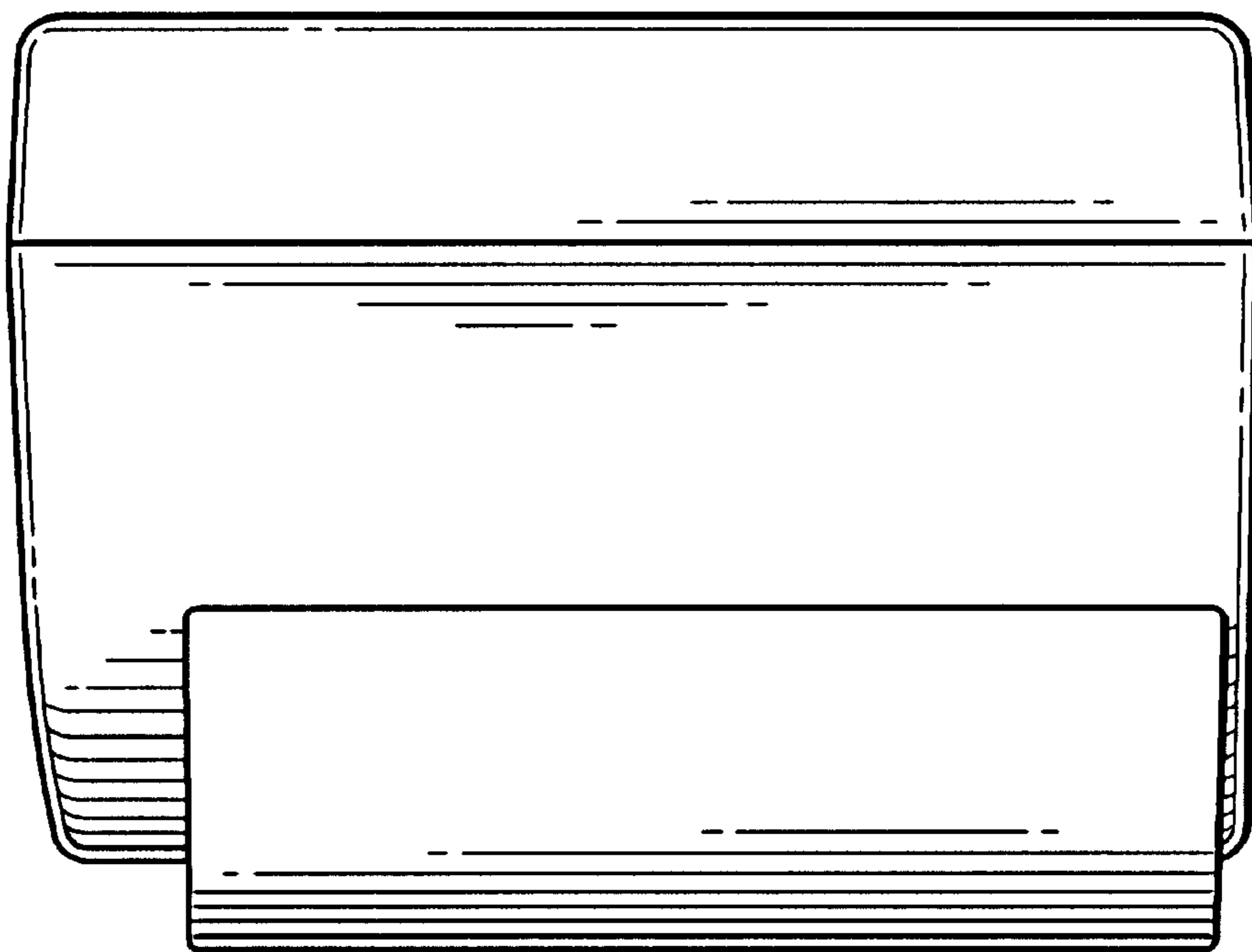


FIG. 6

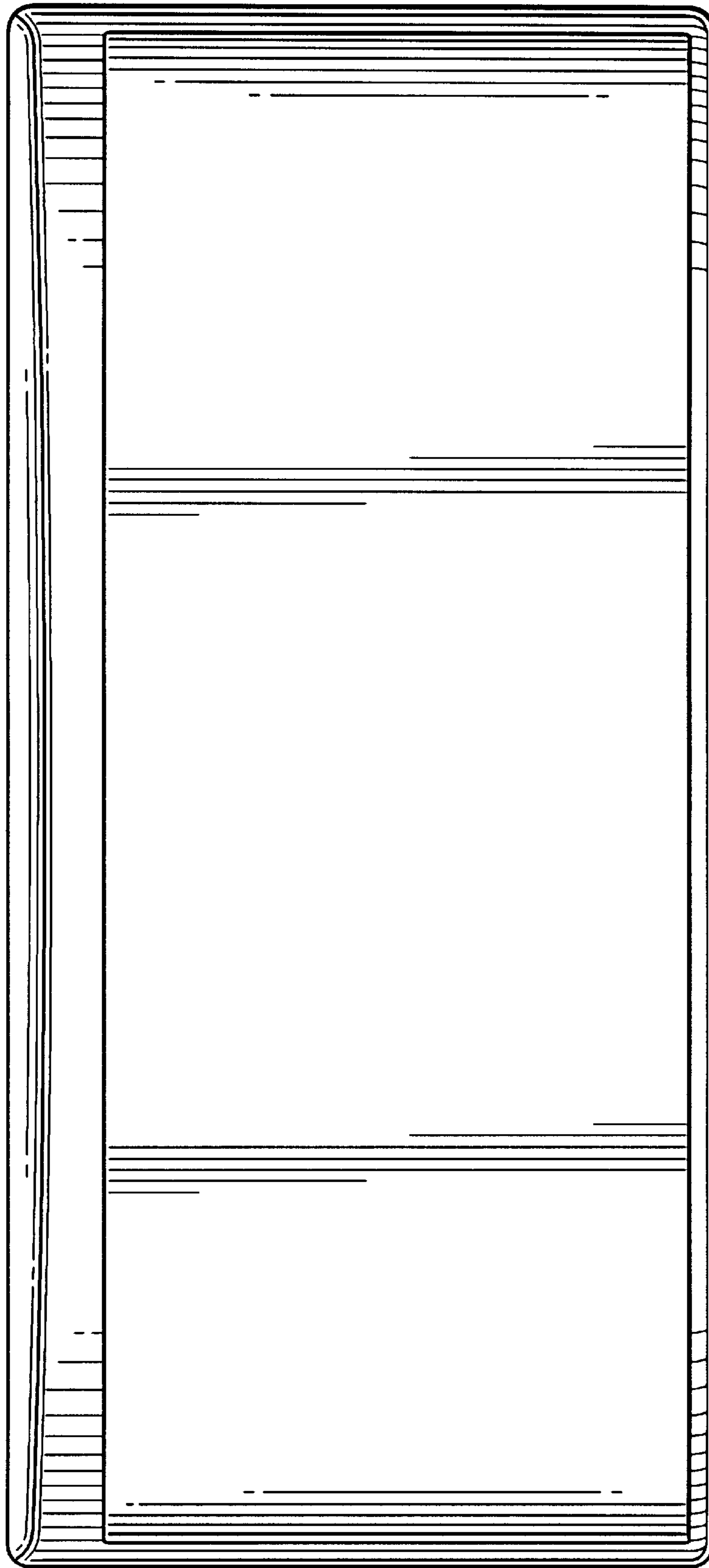


FIG.7