



US00D472170S

(12) **United States Design Patent**
Reymond

(10) **Patent No.:** **US D472,170 S**

(45) **Date of Patent:** **** Mar. 25, 2003**

(54) **PROBE**

(75) Inventor: **Jean-Claude Reymond,**
Chavannes-pres-Rennens (CH)

(73) Assignee: **Brown & Sharpe Tesa S.A.,** Renes
(CH)

(**) Term: **14 Years**

(21) Appl. No.: **29/158,583**

(22) Filed: **Apr. 5, 2002**

(30) **Foreign Application Priority Data**

Oct. 8, 2001 (CH) DM/057555

(51) **LOC (7) Cl.** **10-04**

(52) **U.S. Cl.** **D10/74**

(58) **Field of Search** D10/63, 74, 78;
33/359-360, DIG. 3; 356/601-640

(56) **References Cited**

U.S. PATENT DOCUMENTS

6,370,788 B1 * 4/2002 Hellier et al. 33/559

6,441,910 B1 * 8/2002 Christoph 356/614

* cited by examiner

Primary Examiner—Antoine Duval Davis

(74) *Attorney, Agent, or Firm*—Pearne & Gordon LLP

(57) **CLAIM**

The ornamental design for a probe, as shown.

DESCRIPTION

FIG. 1 is a side view of probe showing my new design.

FIG. 2 is front view thereof.

FIG. 3 is an opposite side view thereof.

FIG. 4 is a rear view thereof; and,

FIG. 5 is a bottom view thereof.

1 Claim, 5 Drawing Sheets

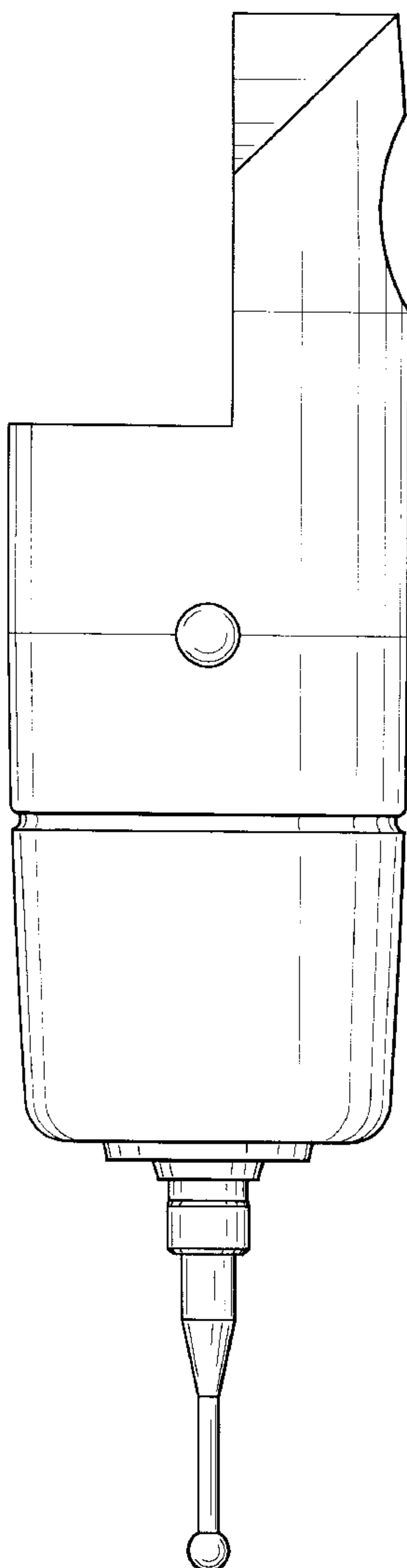


FIG. 1

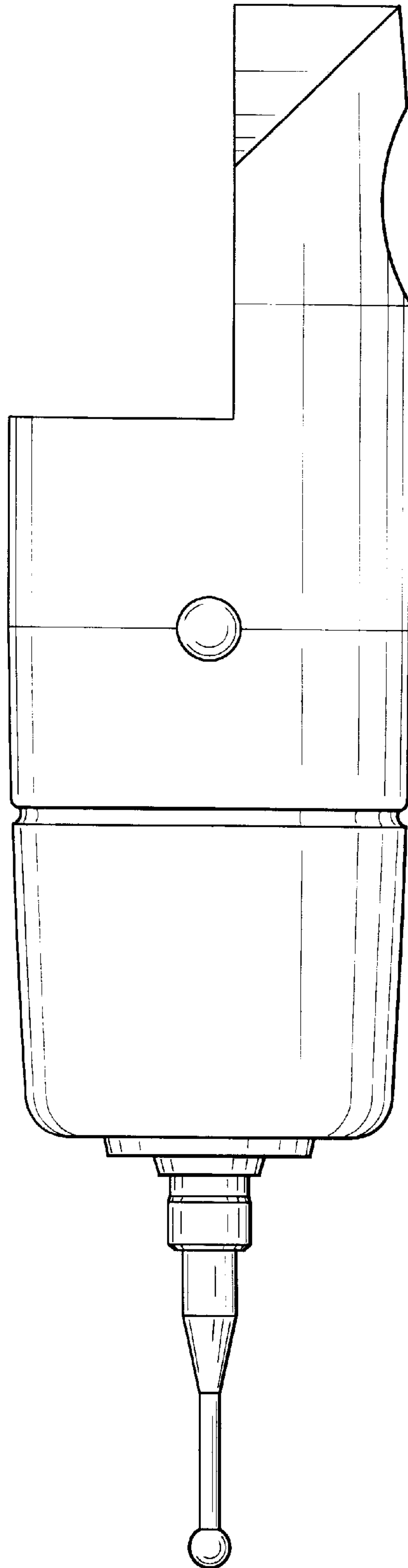


FIG. 2

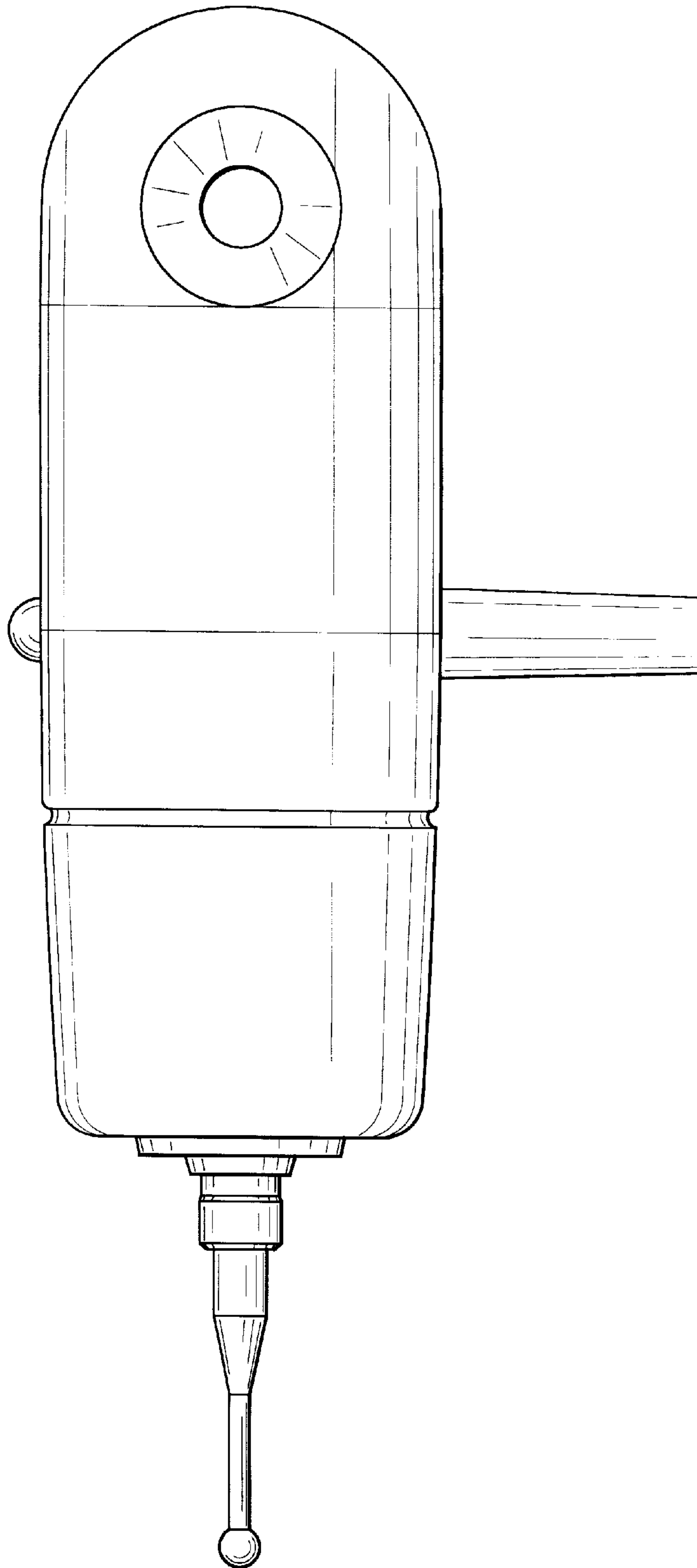


FIG. 3

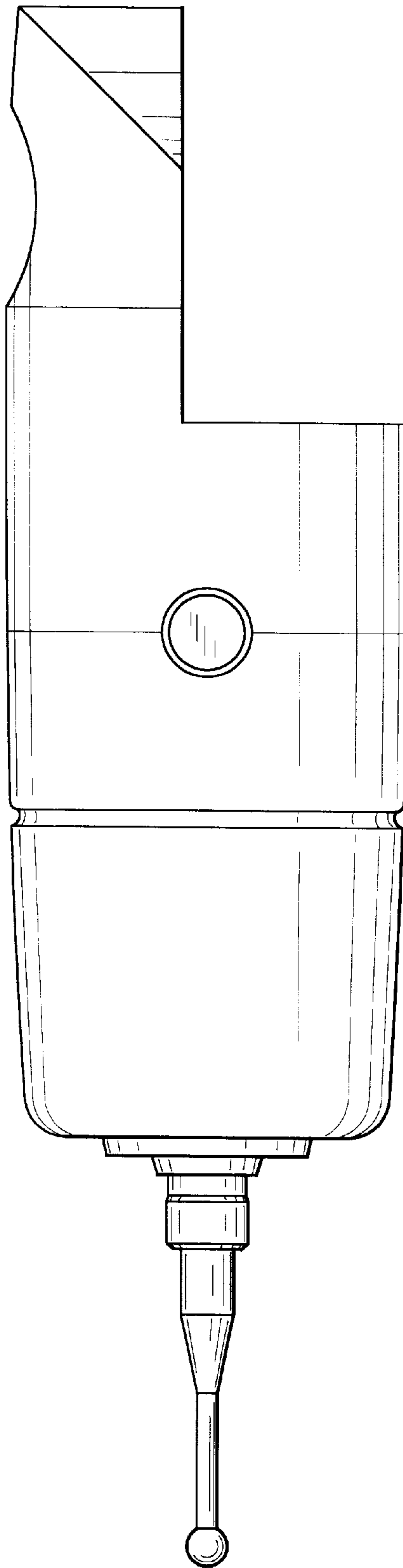


FIG. 4

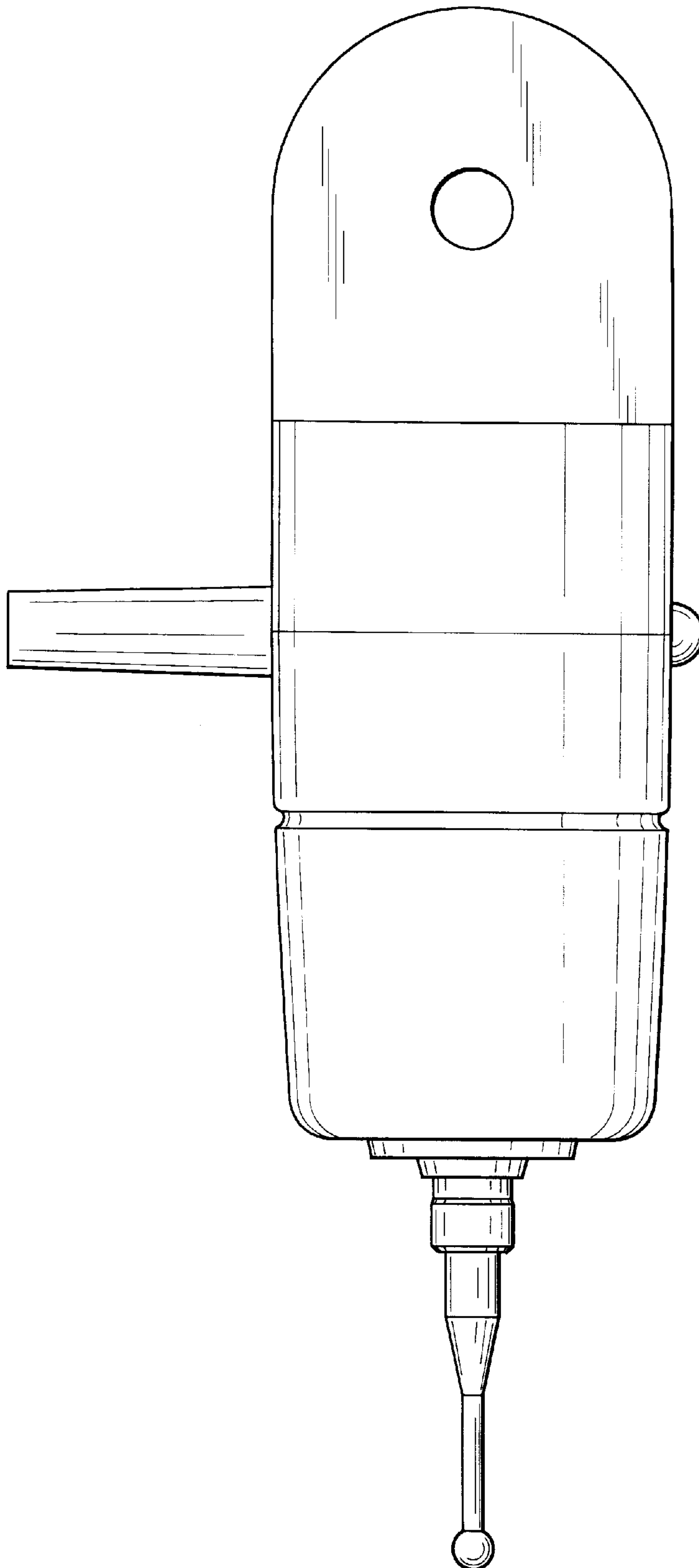


FIG. 5

