



US00D472168S

(12) **United States Design Patent**
Levinson

(10) **Patent No.:** **US D472,168 S**

(45) **Date of Patent:** **** Mar. 25, 2003**

(54) **CAST TORPEDO LEVEL WITH MAGNETIC BASE**

Primary Examiner—Antoine Duval Davis
(74) *Attorney, Agent, or Firm*—Nixon & Vanderhye

(75) **Inventor:** **Emmy Levinson, Kibbutz Amiad (IL)**

(57) **CLAIM**

(73) **Assignee:** **Kapro Industries Ltd., Bikat Beit Hakerem (IL)**

The ornamental design for a “cast torpedo level with magnetic base”, as shown and described.

(**) **Term:** **14 Years**

DESCRIPTION

(21) **Appl. No.:** **29/156,037**

FIG. 1 is a top, front and right side perspective view of a cast torpedo level with magnetic base according to my design; FIG. 2 is a front elevational view thereof; FIG. 3 is a rear elevational view thereof; FIG. 4 is a bottom plan view thereof; FIG. 5 is a left side elevational view thereof; FIG. 6 is a right side elevational view thereof; and, FIG. 7 is a top plan view thereof.

(22) **Filed:** **Feb. 25, 2002**

(51) **LOC (7) Cl.** **10-04**

(52) **U.S. Cl.** **D10/69**

(58) **Field of Search** D10/69; 33/365–390

The numerals 10" and 25 appearing in the drawing figures formed no part of the present design and are specifically disclaimed.

(56) **References Cited**

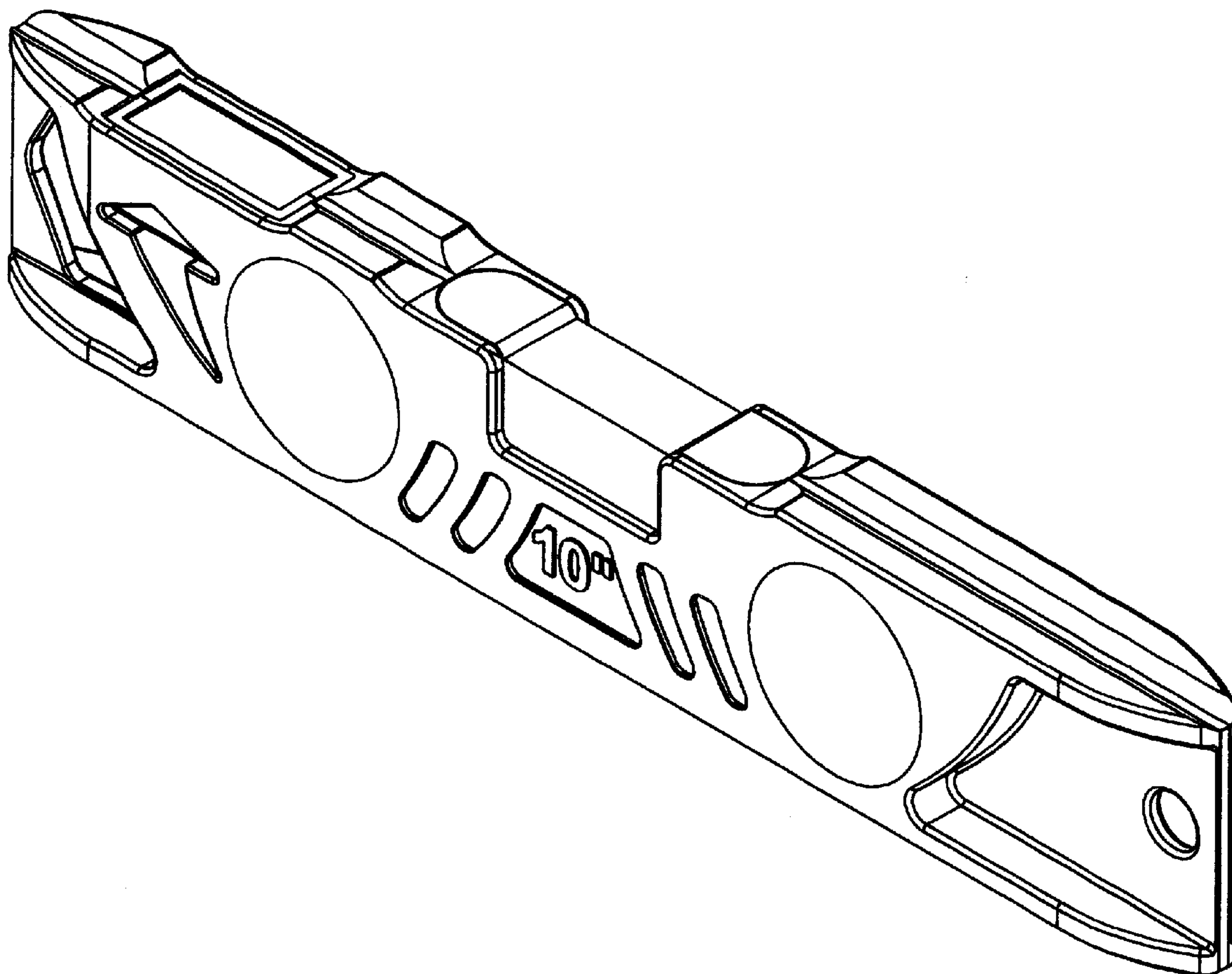
U.S. PATENT DOCUMENTS

D224,663 S * 8/1972 De Jong D10/69

D301,553 S * 6/1989 Makofsky et al. D10/69

* cited by examiner

1 Claim, 7 Drawing Sheets



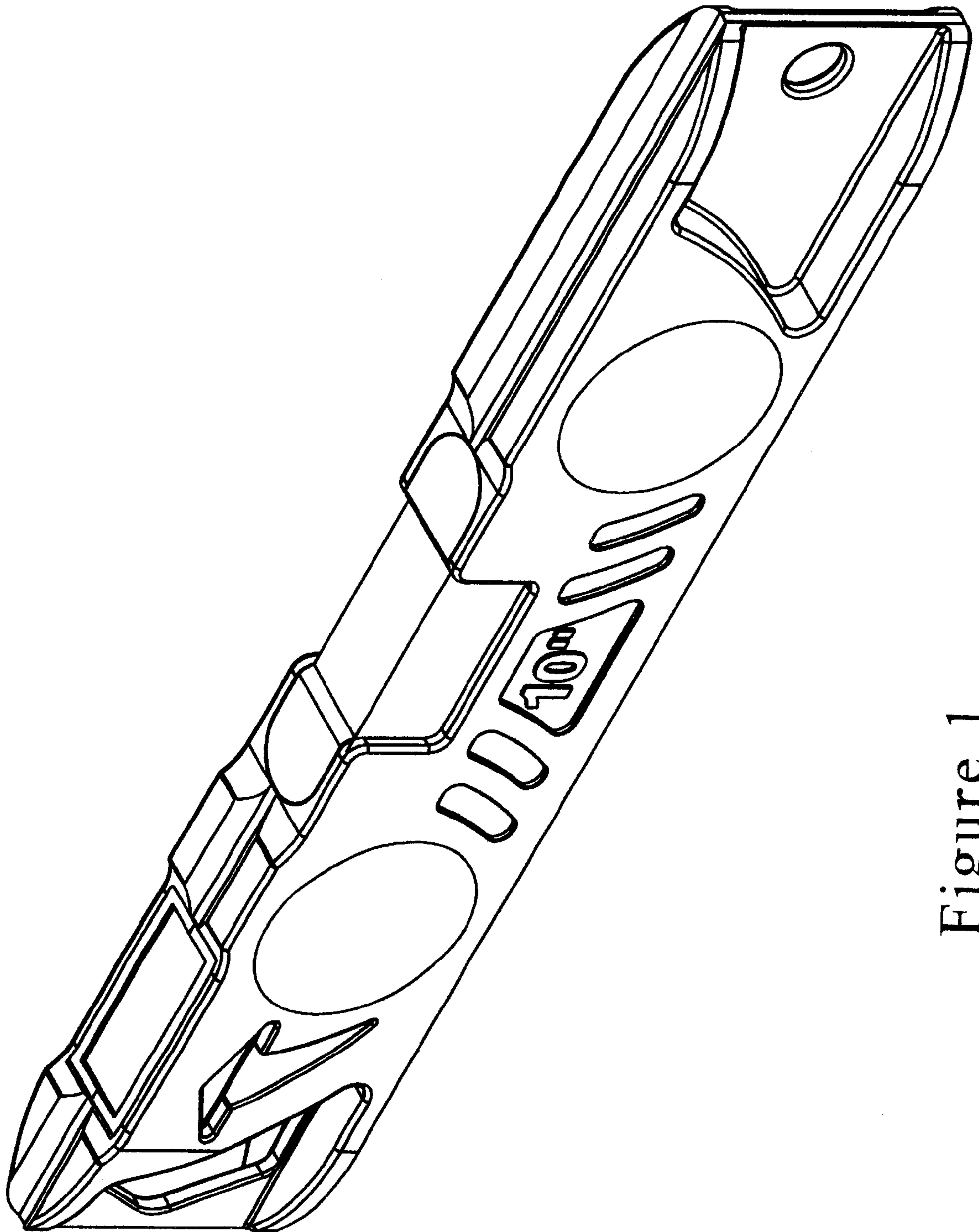


Figure 1

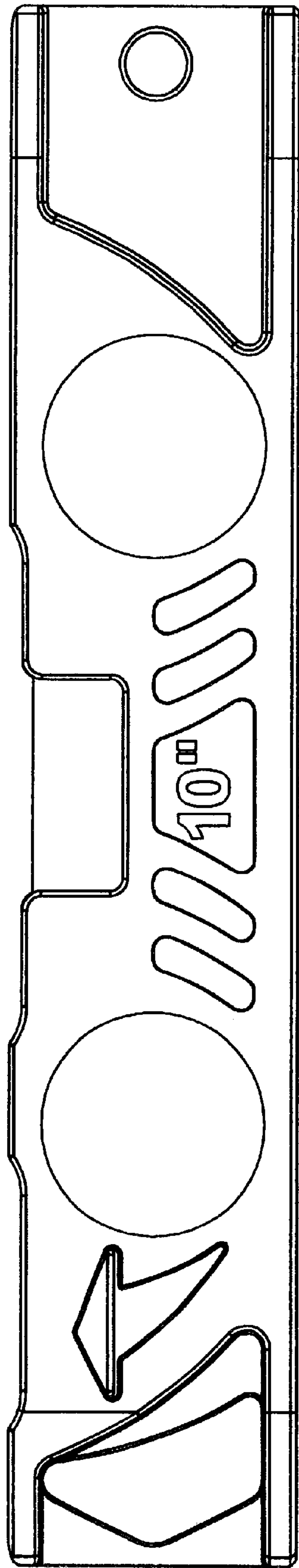


Figure 2

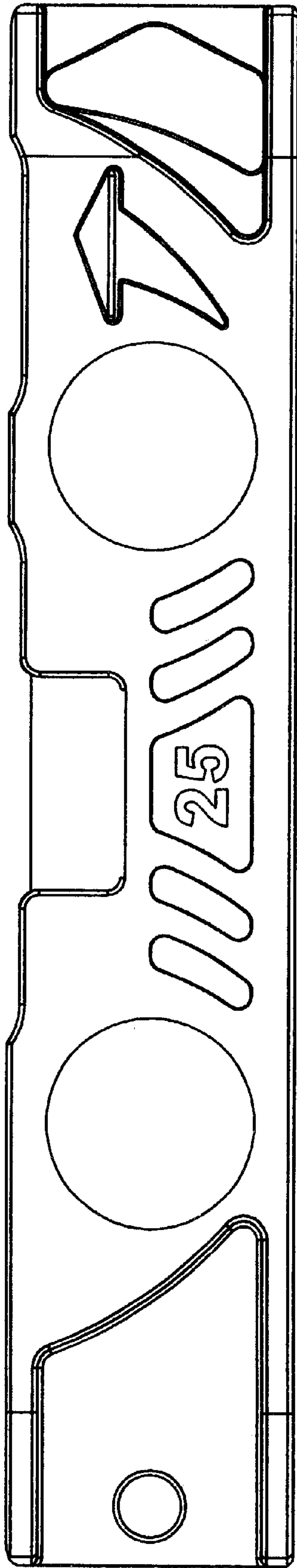


Figure 3

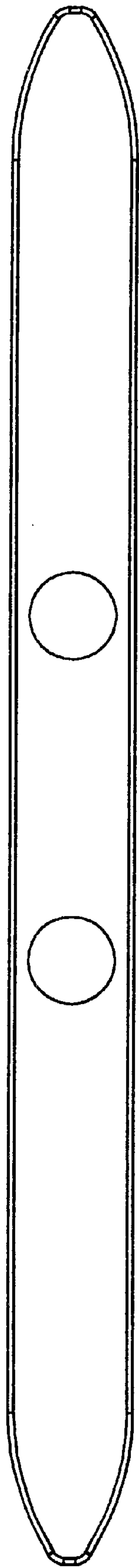


Figure 4

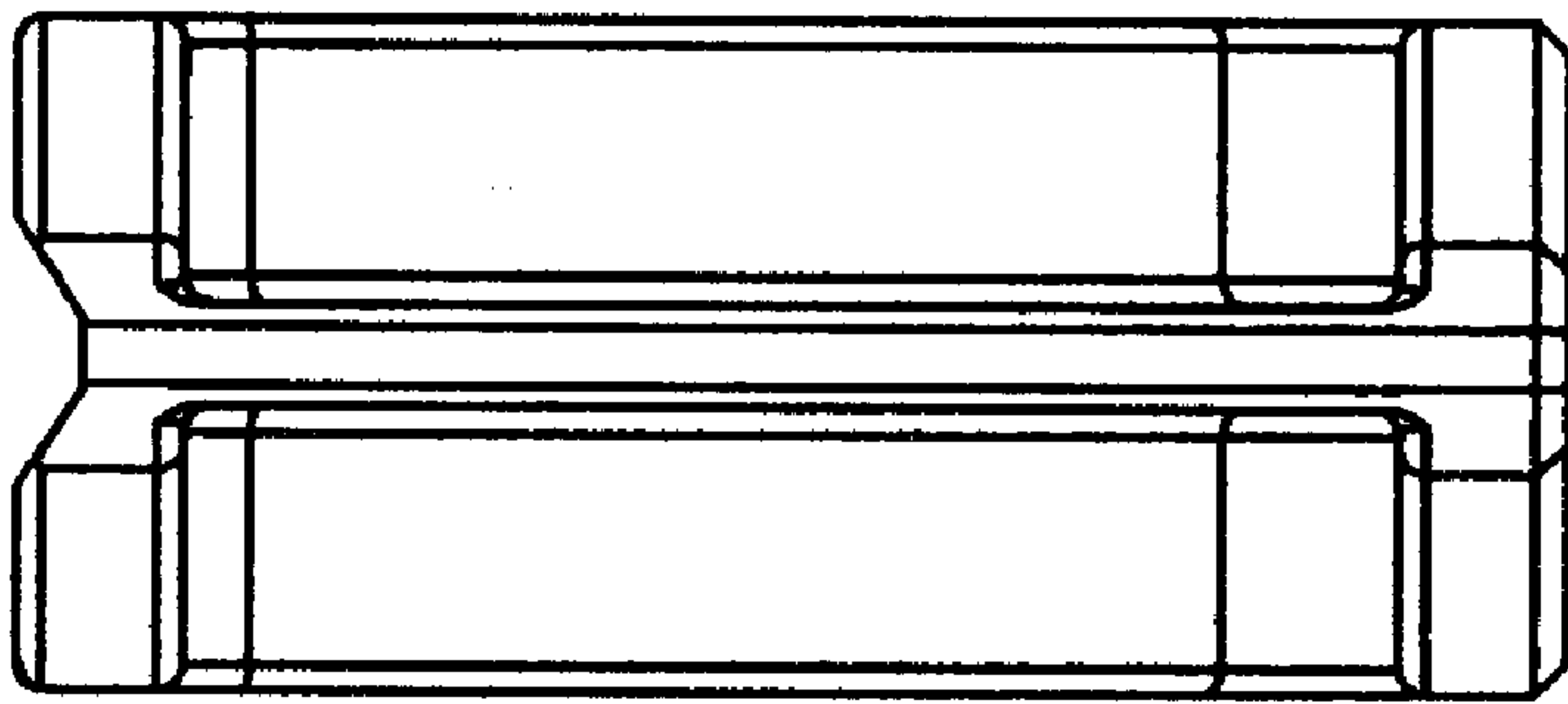


Figure 5

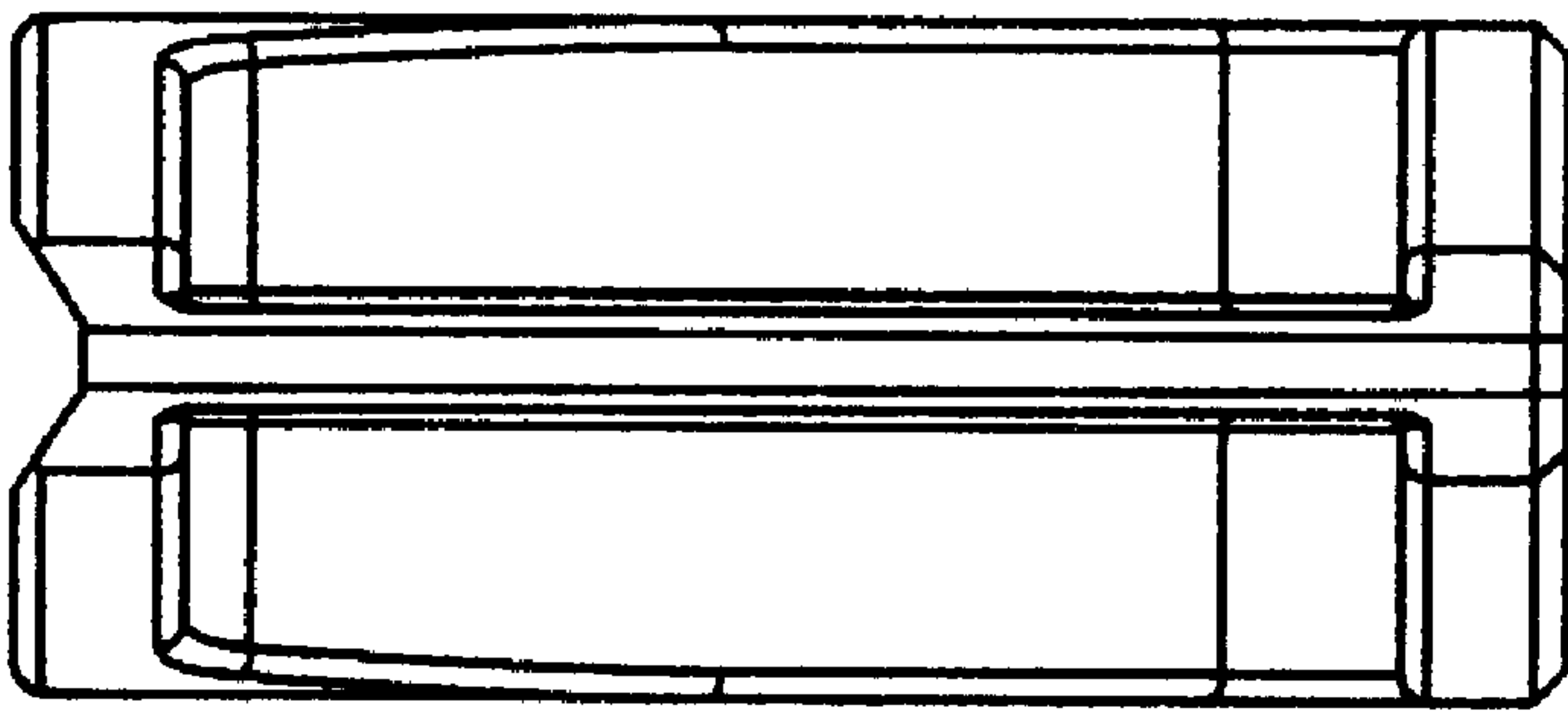


Figure 6

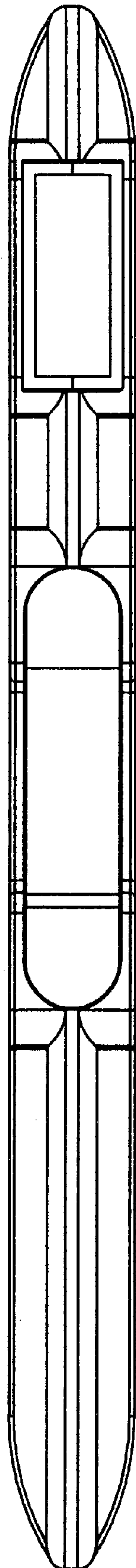


Figure 7