



US00D472166S

(12) **United States Design Patent**  
**Swan**

(10) **Patent No.:** **US D472,166 S**

(45) **Date of Patent:** **\*\* Mar. 25, 2003**

(54) **DOVETAIL GAUGE**

5,875,827 A \* 3/1999 Brutscher et al. .... 144/253.1

(76) Inventor: **Richard E. Swan**, 171 West St., E.  
Bridgewater, MA (US) 02333

\* cited by examiner

(\*\*) Term: **14 Years**

*Primary Examiner*—Antoine Duval Davis

(74) *Attorney, Agent, or Firm*—John P. McGonagle

(21) Appl. No.: **29/154,273**

(57) **CLAIM**

(22) Filed: **Jan. 23, 2002**

The ornamental design for a dovetail gauge, as shown and described.

(51) **LOC (7) Cl.** ..... **10-04**

**DESCRIPTION**

(52) **U.S. Cl.** ..... **D10/61**

(58) **Field of Search** ..... D10/61; 83/435.15,  
83/436.2, 522.11, 522.25, 787, 719, 729,  
425; 144/136.1, 87, 89, 86, 136.93, 253.1,  
78, 253.2, 371, 85, 137, 144.51

FIG. 1 is a front perspective view of a dovetail gauge  
embodying my new design;

FIG. 2 is a left side elevational view thereof;

FIG. 3 is a right side elevational view thereof;

FIG. 4 is a top view thereof;

FIG. 5 is a bottom view thereof;

FIG. 6 is a front view thereof; and,

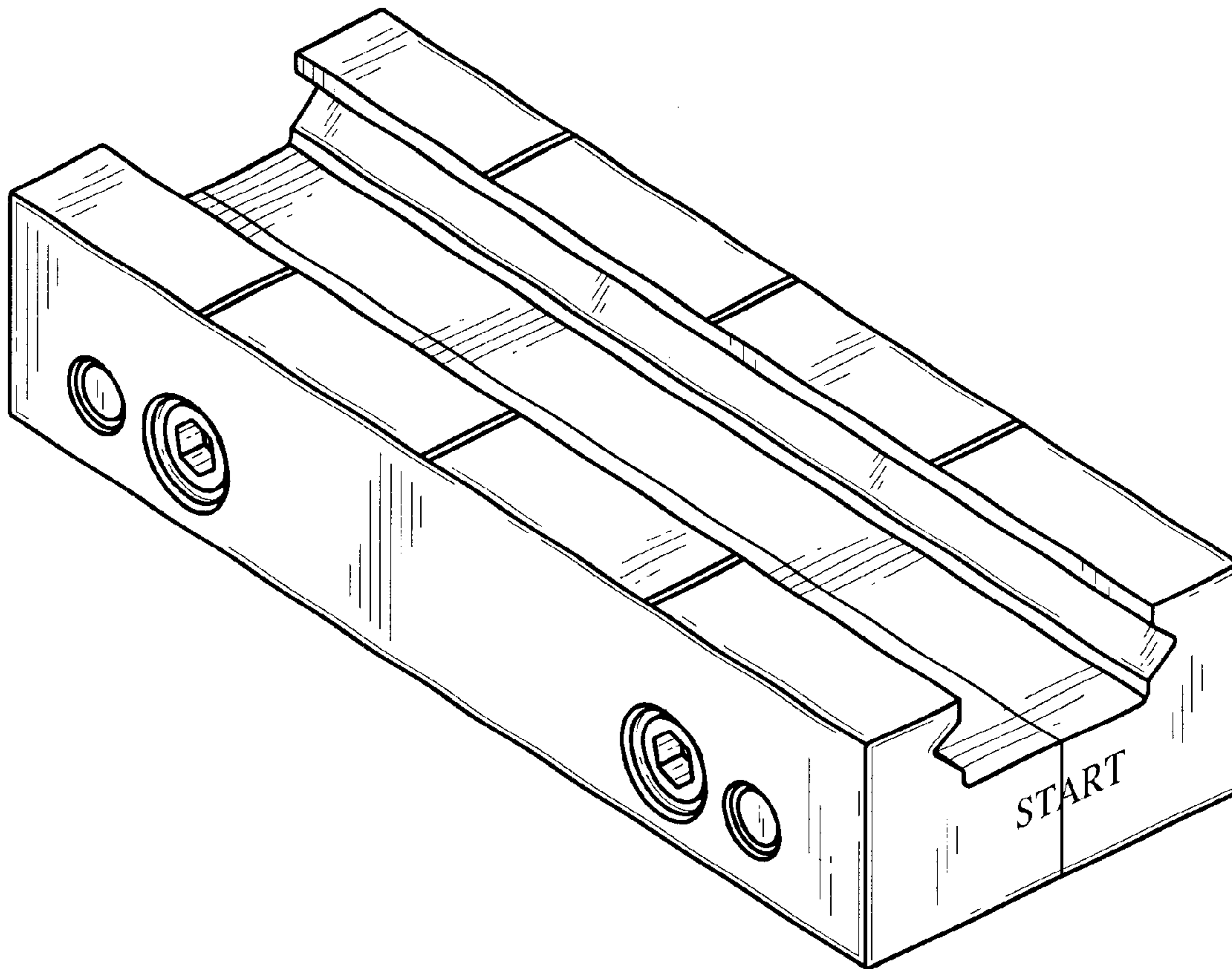
FIG. 7 is a rear view thereof.

(56) **References Cited**

**U.S. PATENT DOCUMENTS**

4,074,736 A \* 2/1978 Wolff ..... 144/78

**1 Claim, 2 Drawing Sheets**



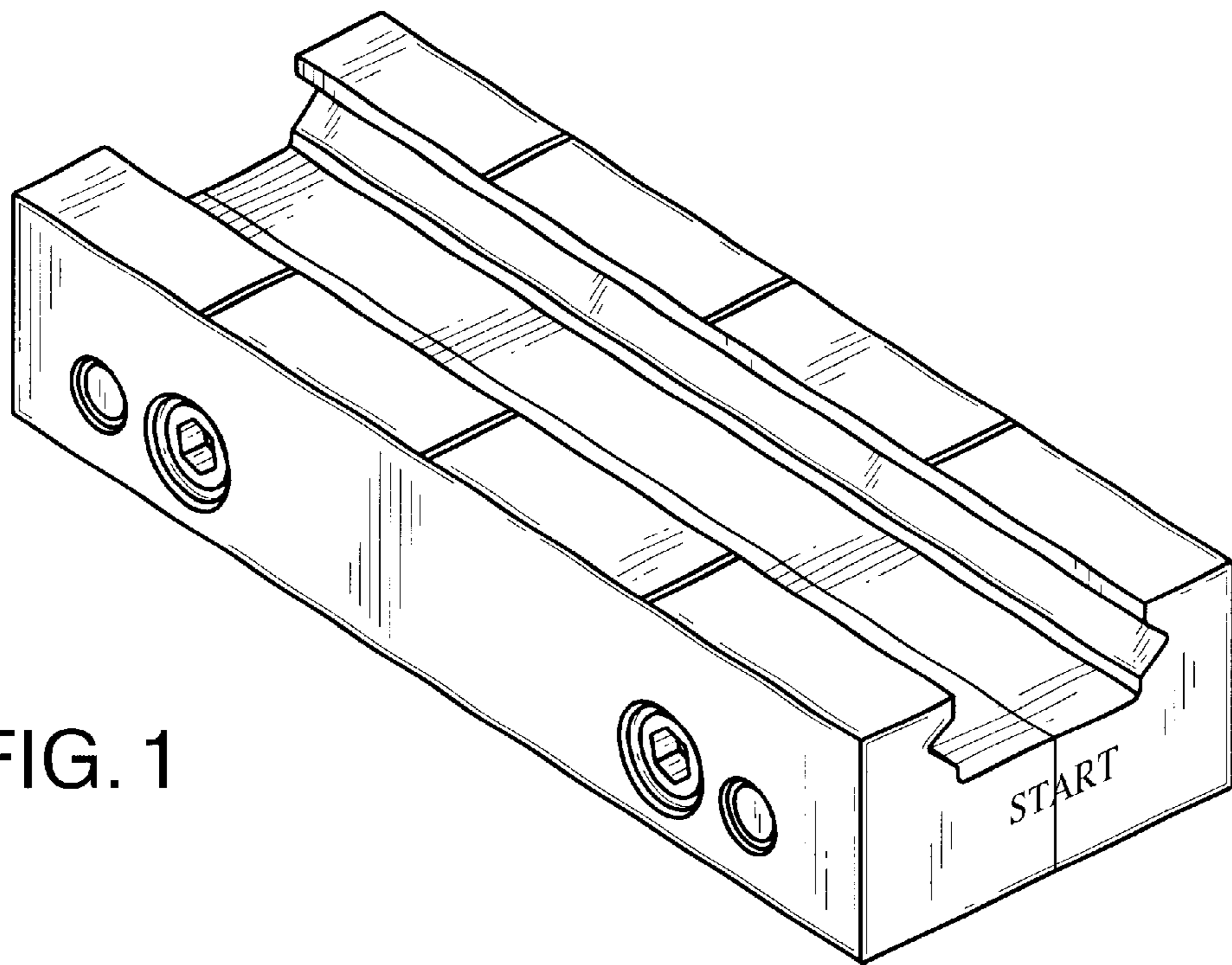


FIG. 1

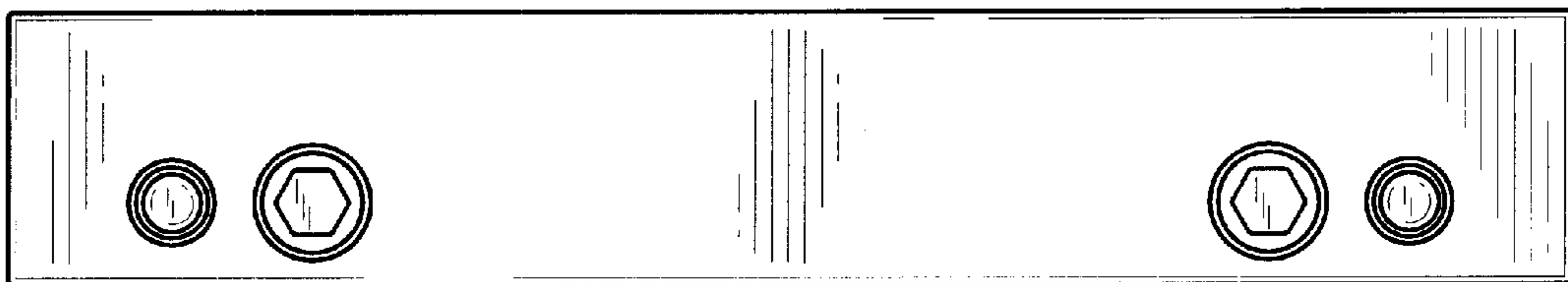


FIG. 2

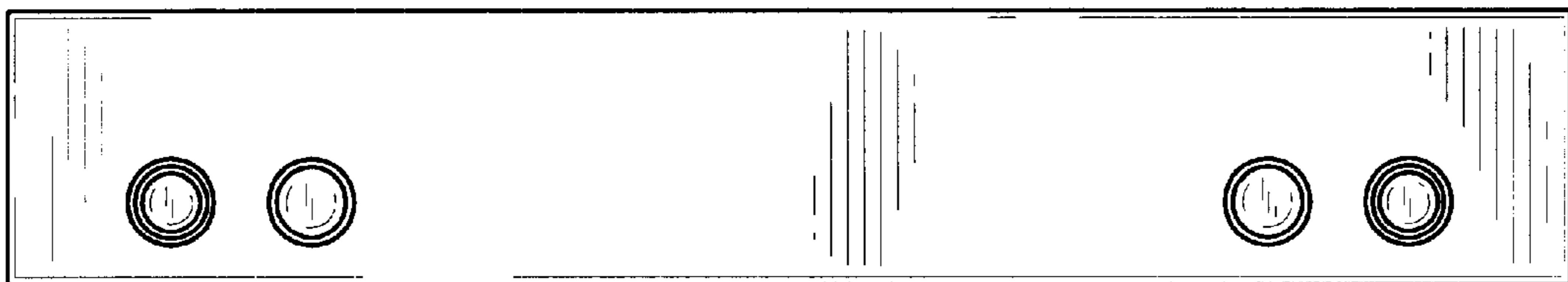


FIG. 3

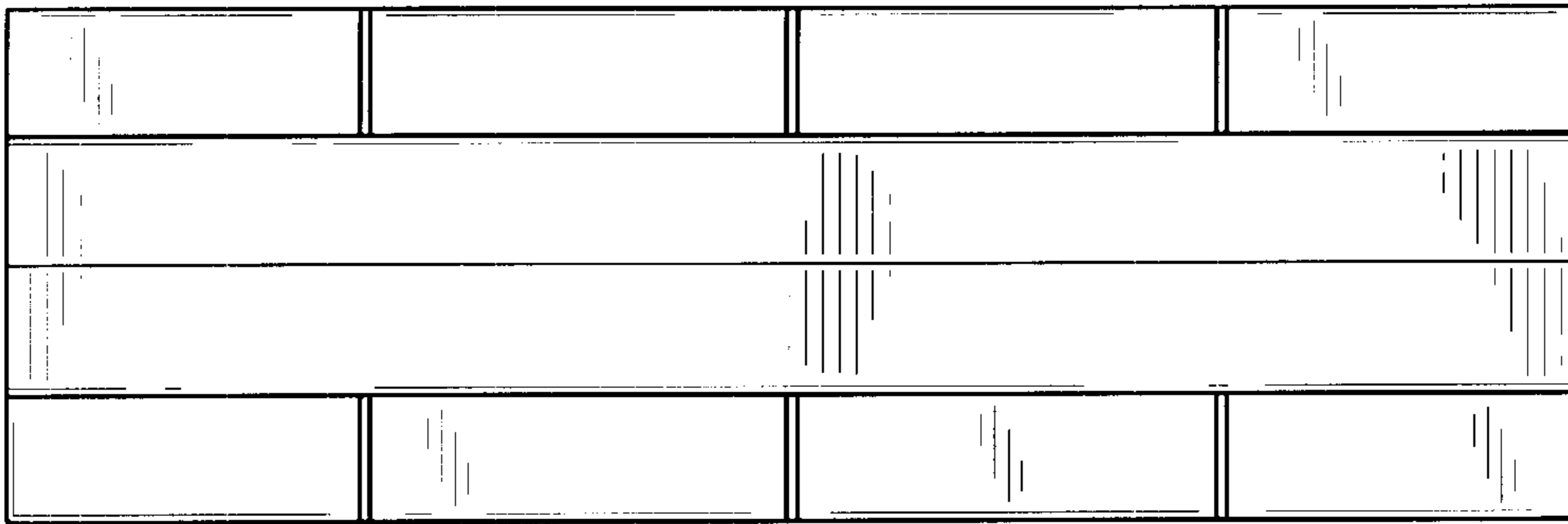


FIG. 4

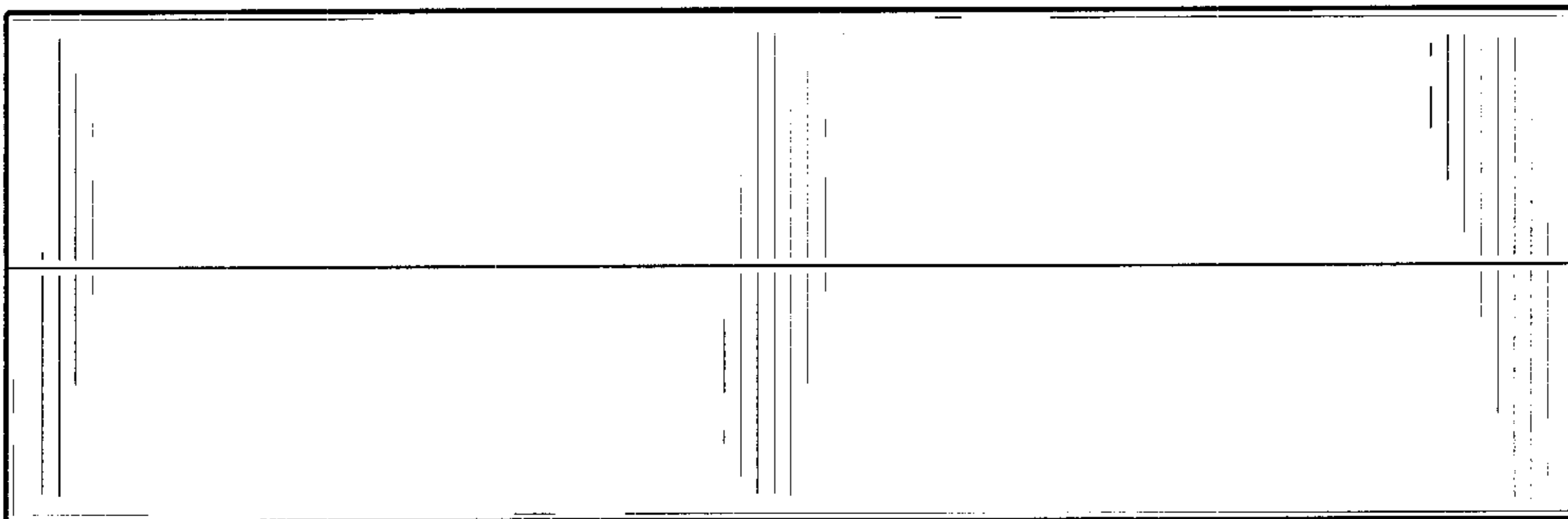


FIG. 5

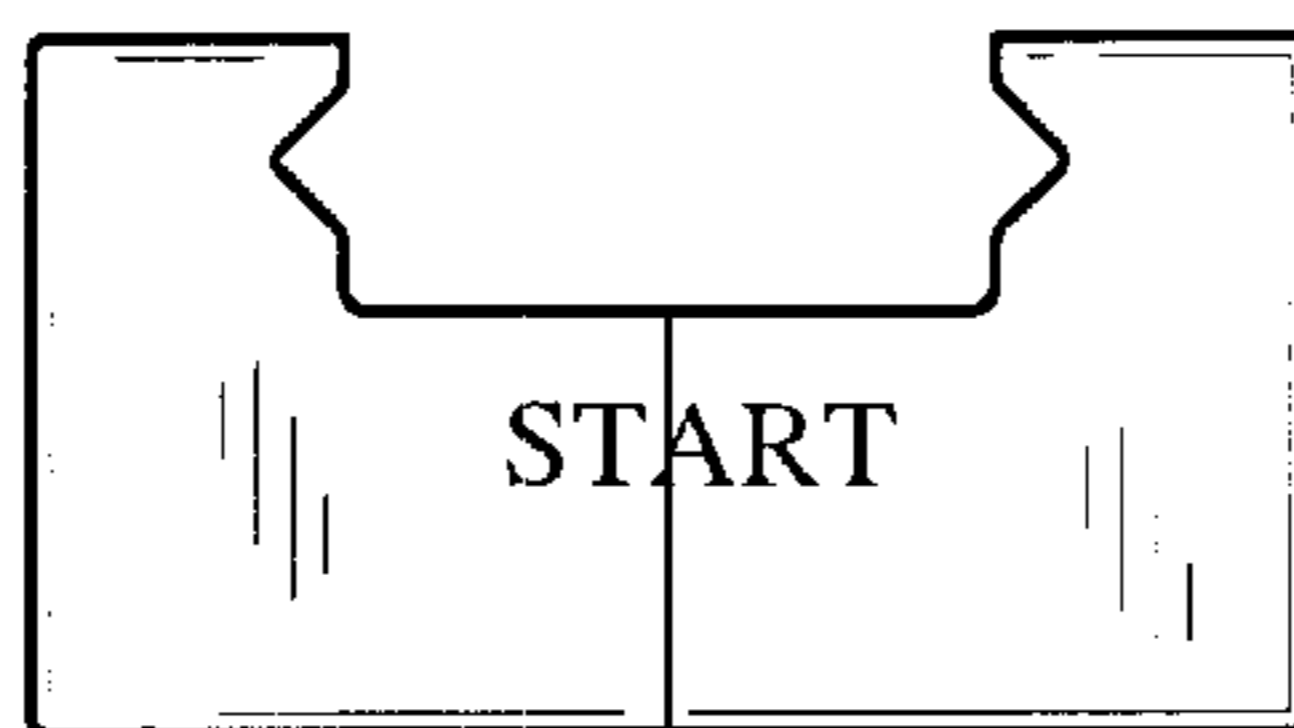


FIG. 6

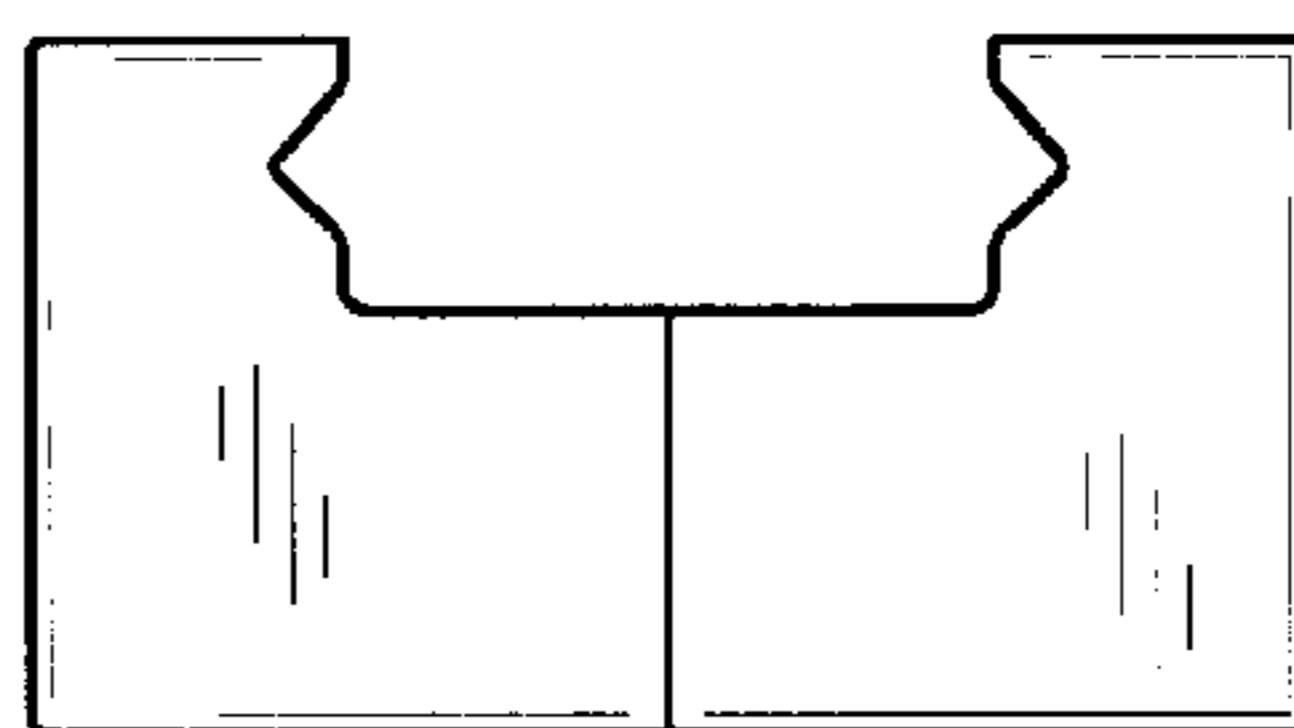


FIG. 7