



US00D472149S

(12) **United States Design Patent**
Beals

(10) **Patent No.:** **US D472,149 S**

(45) **Date of Patent:** **** Mar. 25, 2003**

(54) **CONTAINER**

(76) **Inventor:** **Charley Beals**, 736 Arbol Verde St.,
Carpinteria, CA (US) 93013

(**) **Term:** **14 Years**

(21) **Appl. No.:** **29/159,415**

(22) **Filed:** **Apr. 19, 2002**

(51) **LOC (7) Cl.** **09-01**

(52) **U.S. Cl.** **D9/516; D9/519; D9/564;**
D9/575; D3/208

(58) **Field of Search** **D9/500-505, 516,**
D9/519, 521, 522, 529, 549, 517, 551,
558, 564, 572, 573, 574, 575, 337, 307;
D3/207, 208; 215/382-384, 396, 398, 400

(56) **References Cited**

U.S. PATENT DOCUMENTS

D106,034 S	*	9/1937	Harrison	D9/500
D154,431 S	*	7/1949	Reinecke	D9/426
2,809,863 A	*	10/1957	Curran	206/463 X
D190,396 S	*	5/1961	Robinson	D9/419
D202,299 S	*	9/1965	De Karr	D9/519
3,511,433 A	*	5/1970	Andrews et al.	D9/307 X
D226,521 S	*	3/1973	Lerner	D9/529
D253,455 S	*	11/1979	Beene	D9/505
D272,128 S	*	1/1984	Parmentier	D9/345
D272,232 S	*	1/1984	Parmentier	D9/345
D272,233 S	*	1/1984	Parmentier	D9/345

D272,317 S	*	1/1984	Parmentier	D9/345
D281,666 S	*	12/1985	Fay, Sr. et al.	D9/300
D302,386 S	*	7/1989	Sala	D9/529
D404,195 S	*	1/1999	Beals	D3/208
D431,183 S	*	9/2000	Beals	D9/307
D460,693 S	*	7/2002	Flowers	D9/521

* cited by examiner

Primary Examiner—Ted Shooman

Assistant Examiner—Carol Rademaker

(74) *Attorney, Agent, or Firm*—Michael G. Petit

(57) **CLAIM**

The ornamental design for a container, as shown and described.

DESCRIPTION

FIG. 1 is a perspective view of a container showing my new design.

FIG. 2 is a front elevational view thereof, the rear elevational view being a mirror image thereof.

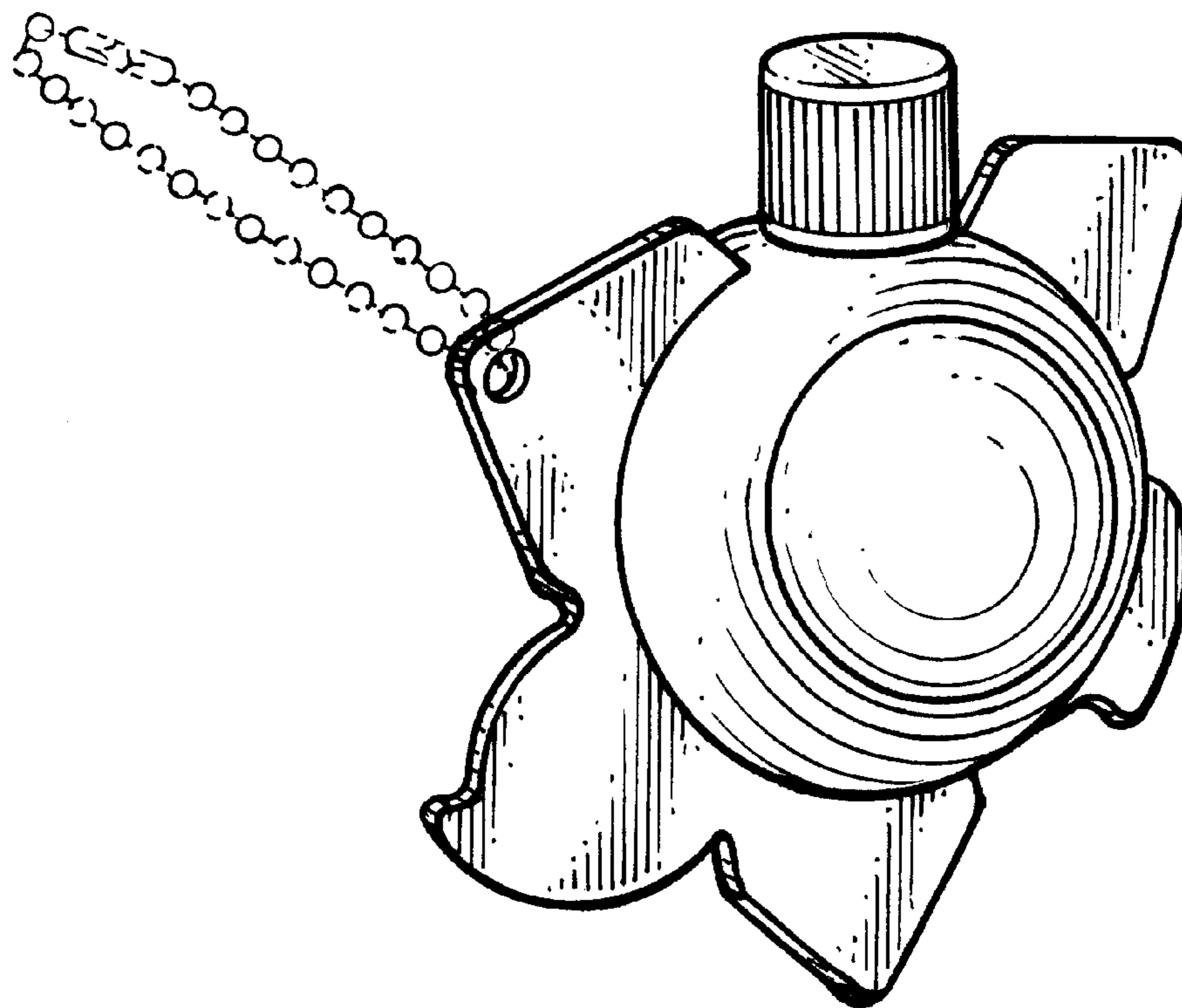
FIG. 3 is a right side elevational view thereof, the left side elevational view being a mirror image thereof.

FIG. 4 is a top plan view thereof; and,

FIG. 5 is a bottom plan view thereof.

The broken line showing of a chain in FIG. 1 is for environmental purposes only and forms no part of the claimed design.

1 Claim, 1 Drawing Sheet



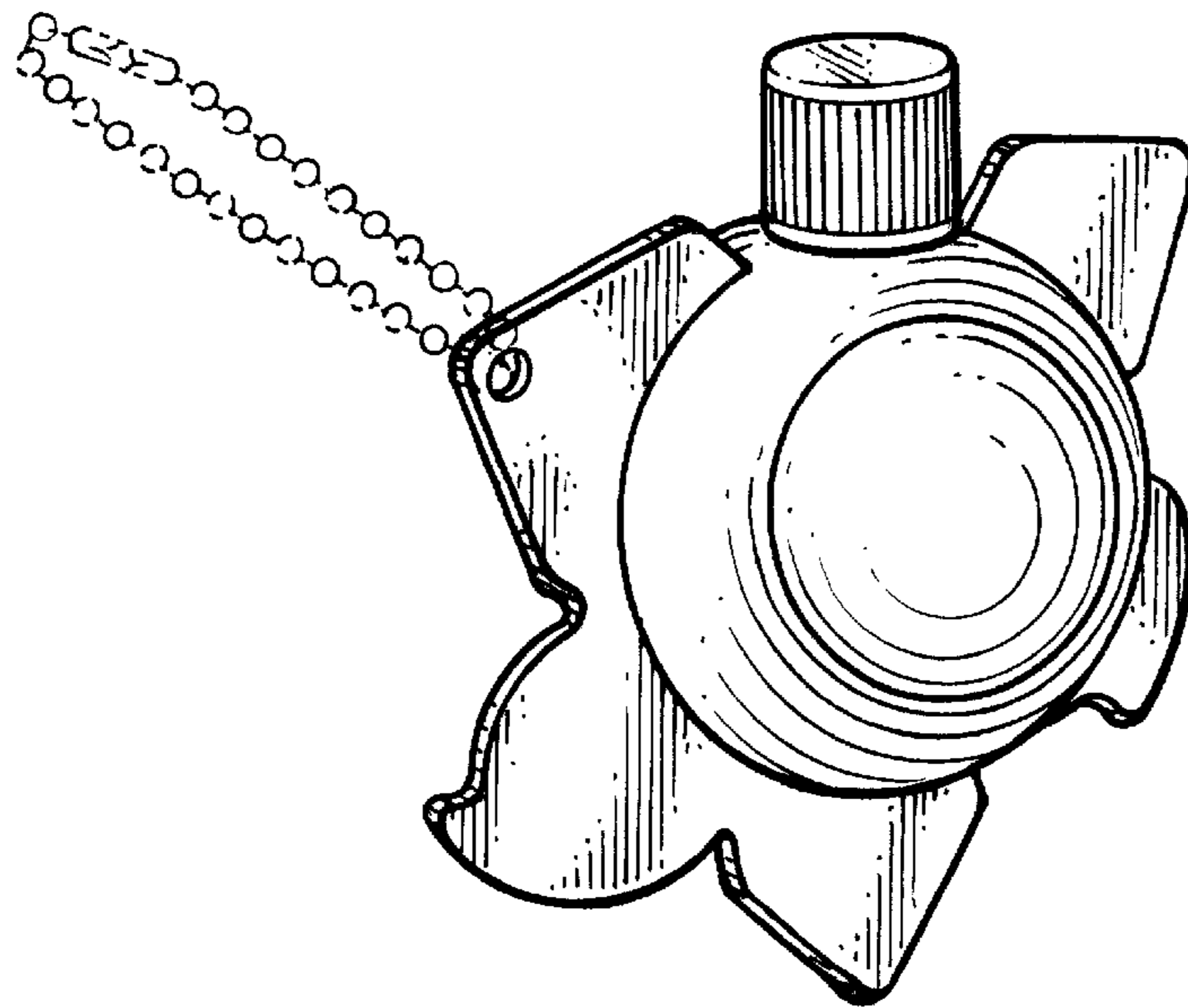


Fig. 1.

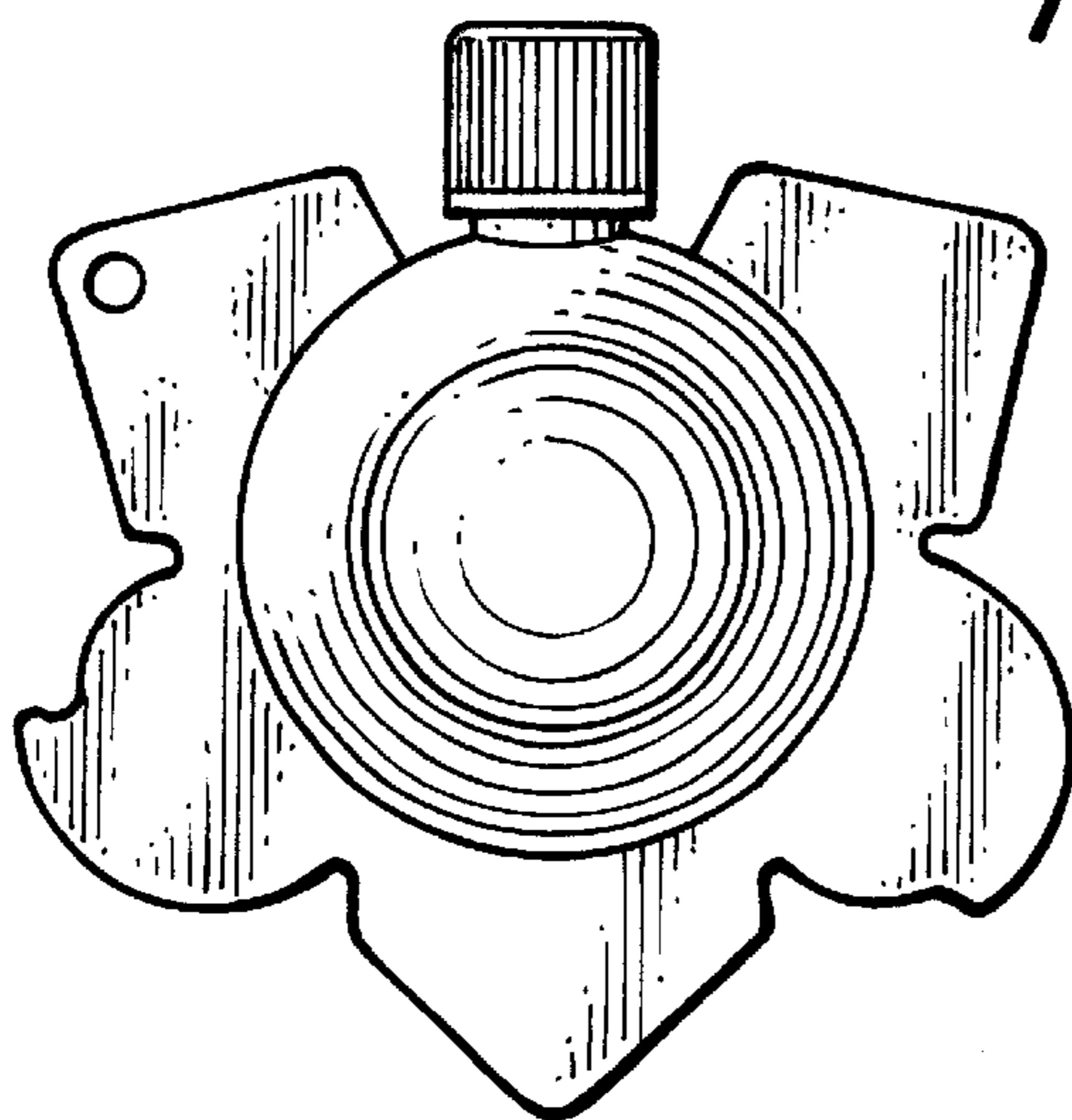


Fig. 2.

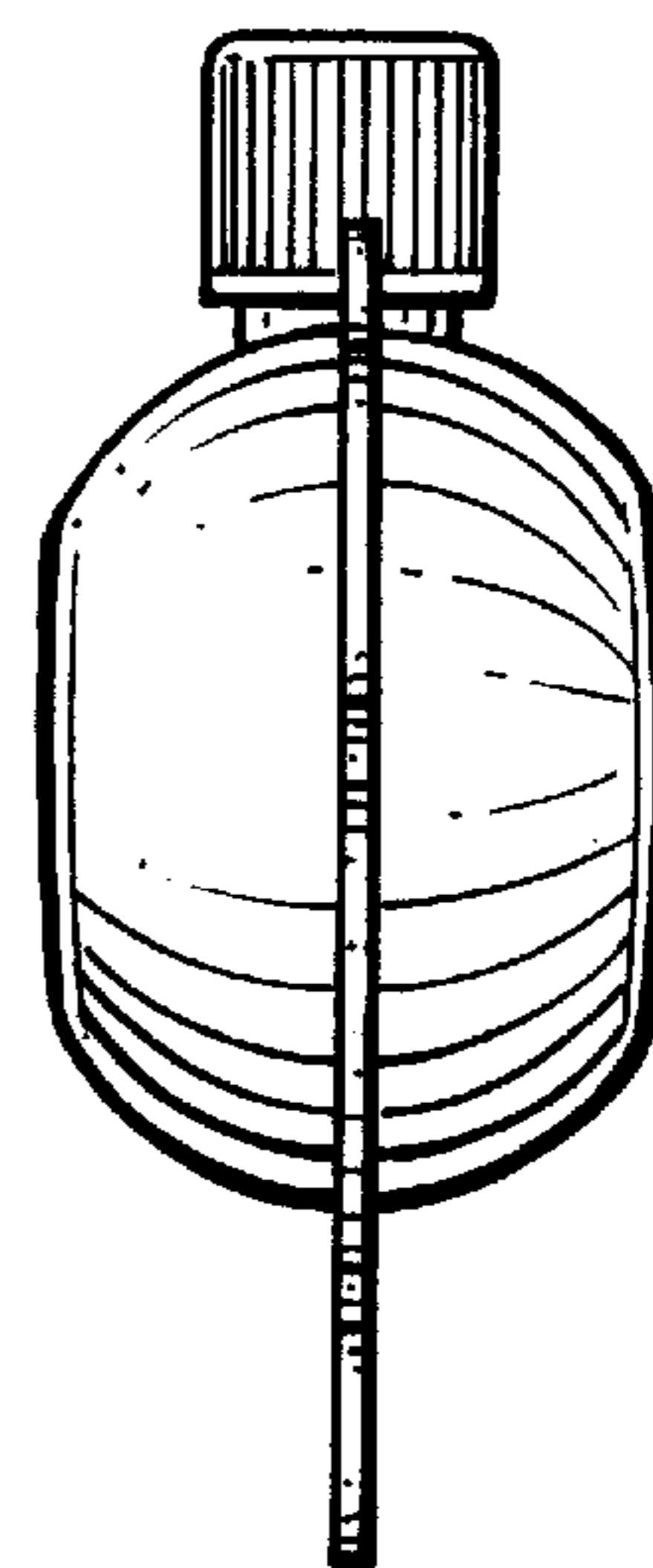


Fig. 3.

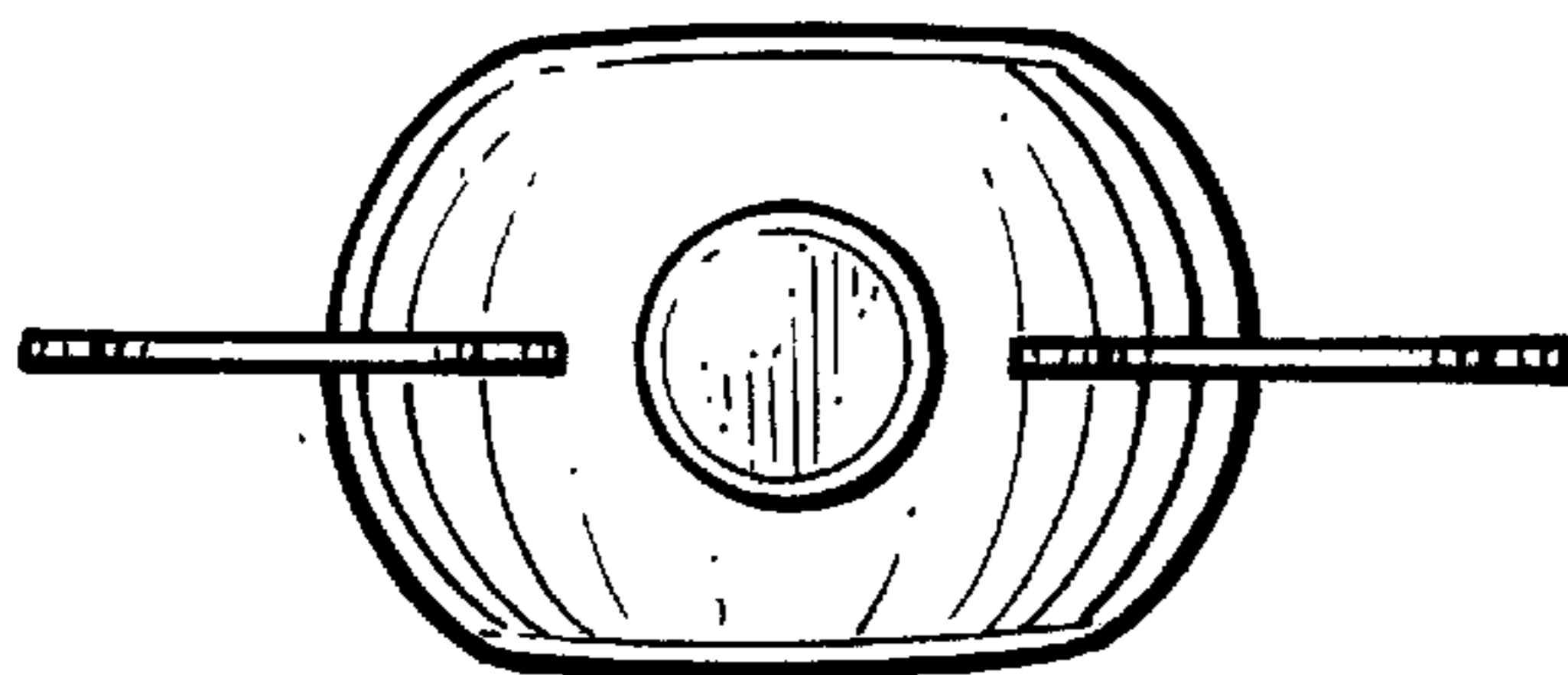


Fig. 4.

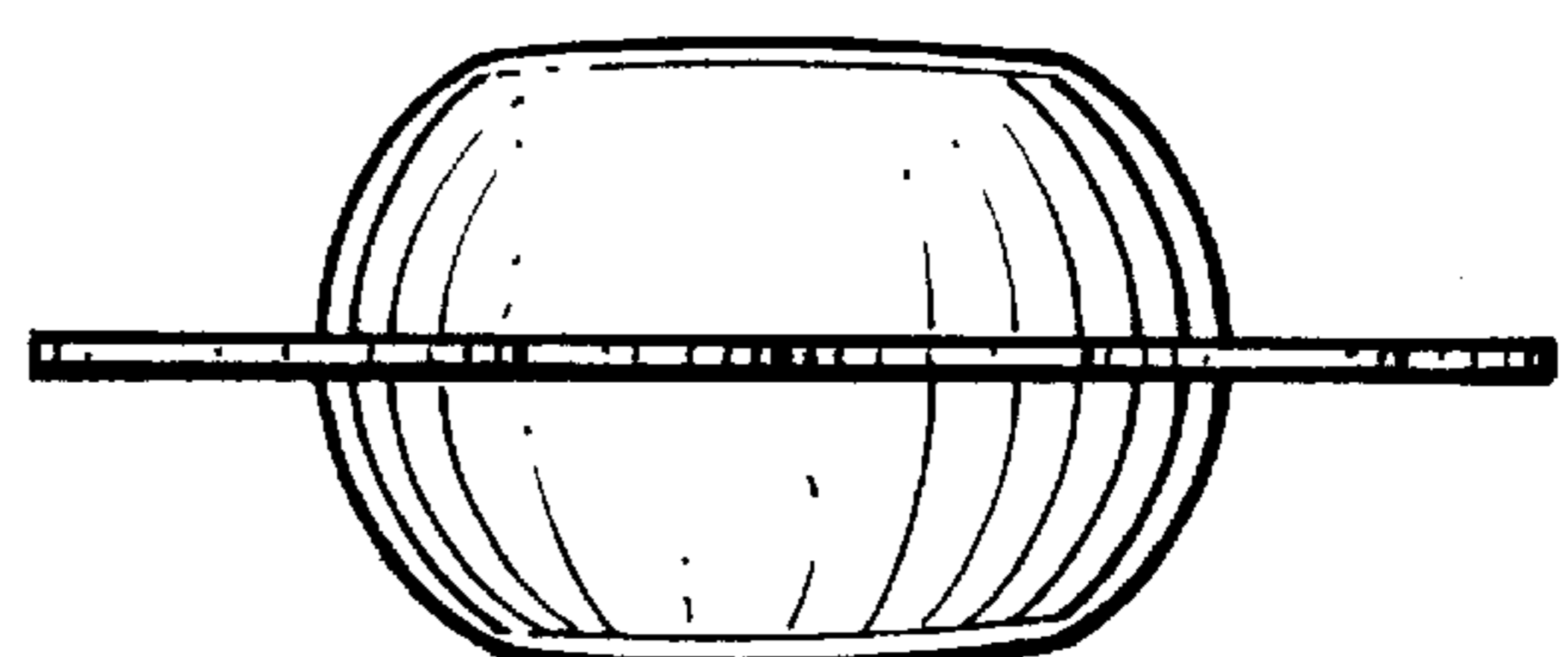


Fig. 5.