



US00D472143S

(12) **United States Design Patent**
Martin et al.

(10) **Patent No.:** **US D472,143 S**

(45) **Date of Patent:** **** Mar. 25, 2003**

(54) **GASKET FOR CLOSURE**

(75) Inventors: **James L. Martin**, Lancaster, OH (US);
Larry Alan Hottle, Graville, OH (US);
Galen G. German, Lancaster, OH
(US); **C. Roger Hamrick**, London, OH
(US)

(73) Assignee: **Crown Cork & Seal Technologies Corporation**, Alsip, IL (US)

(**) Term: **14 Years**

(21) Appl. No.: **29/156,815**

(22) Filed: **Mar. 8, 2002**

(51) **LOC (7) Cl.** **09-07**

(52) **U.S. Cl.** **D9/434; D9/454; D9/499**

(58) **Field of Search** **D9/434, 435, 454, D9/452; 220/780, 781, 795**

(56) **References Cited**

U.S. PATENT DOCUMENTS

3,371,813 A	3/1968	Owen et al.
3,448,881 A	6/1969	Zipper
3,741,423 A	6/1973	Acton et al.
4,000,825 A	1/1977	Westfall
4,552,279 A	11/1985	Mueller et al.

4,576,299 A	3/1986	Lecinski, Jr.	
4,585,138 A	* 4/1986	Jonkers	220/795
4,603,786 A	8/1986	Lecinski, Jr. et al.	
4,863,030 A	9/1989	Bayer et al.	
D311,338 S	* 10/1990	Serio	D9/434
D352,455 S	* 11/1994	Balson	D9/434
D357,182 S	* 4/1995	Asner	D9/435
5,692,628 A	12/1997	Montgomery et al.	
D442,864 S	* 5/2001	Davies	D9/454

* cited by examiner

Primary Examiner—Dominic Simone

(74) *Attorney, Agent, or Firm*—Knoble & Yoshida, LLC

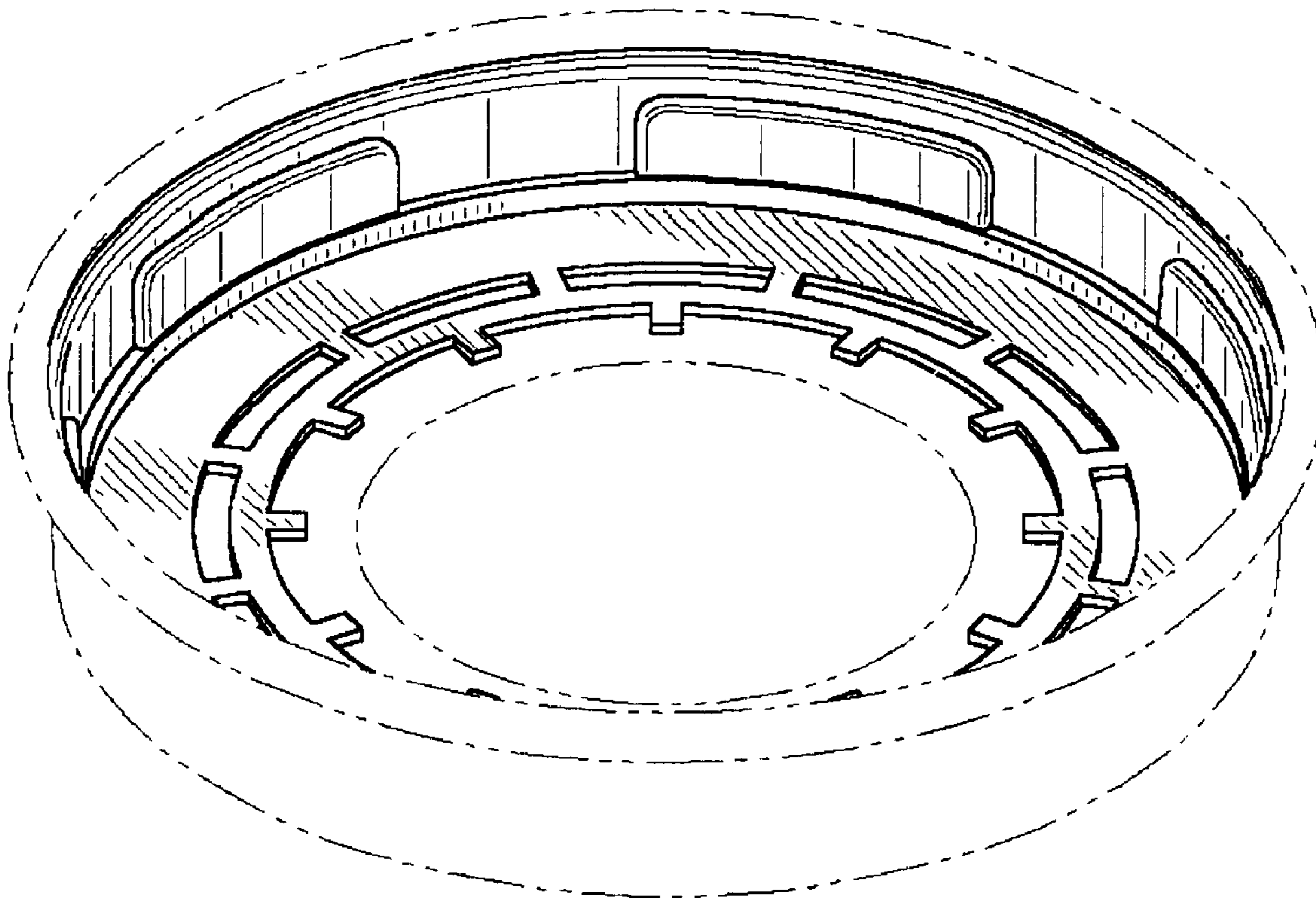
(57) **CLAIM**

The ornamental design for a “gasket for closure”, as shown and described.

DESCRIPTION

FIG. 1 is a perspective view showing my new design; FIG. 2 is a top plan view; FIG. 3 is a cross-sectional view thereof, taken in the direction of the arrows along line 3—3 in FIG. 2; and, FIG. 4 is a cross-sectional view thereof, taken in the direction of the arrows along line 4—4 in FIG. 2. Any broken lines in the drawings depict probable environment only and form no part of the claimed design.

1 Claim, 2 Drawing Sheets



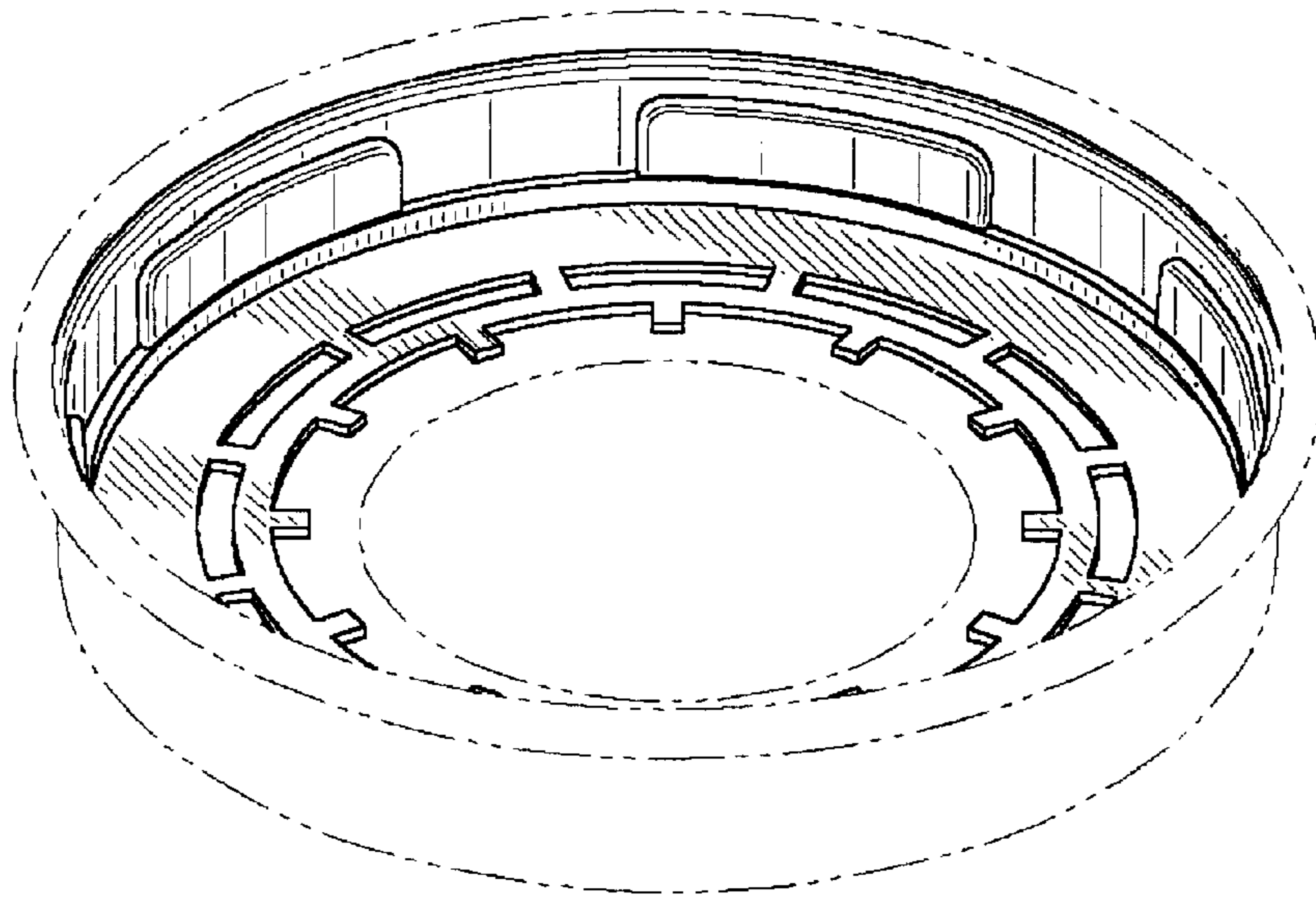


FIG. 1

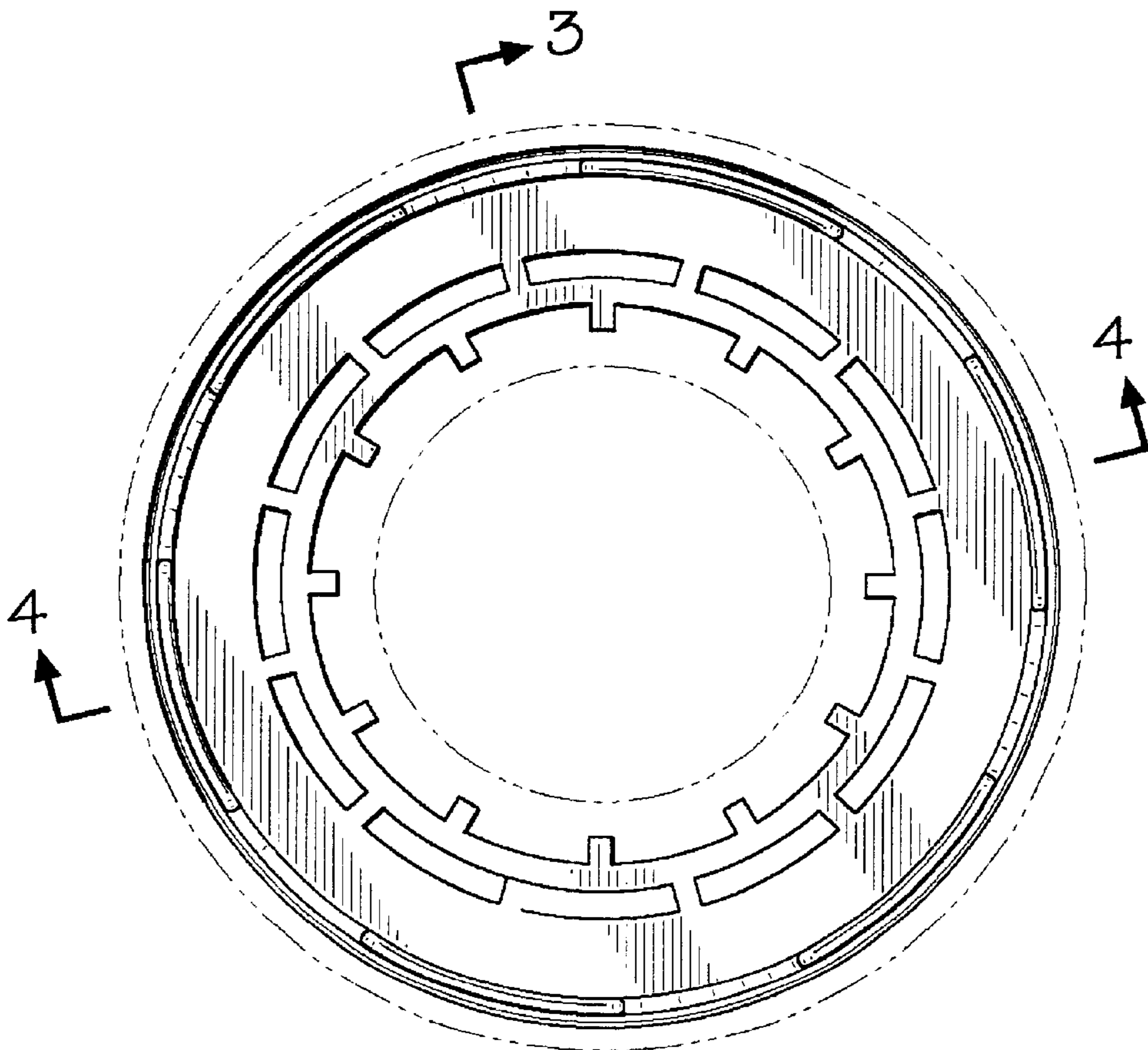


FIG. 2

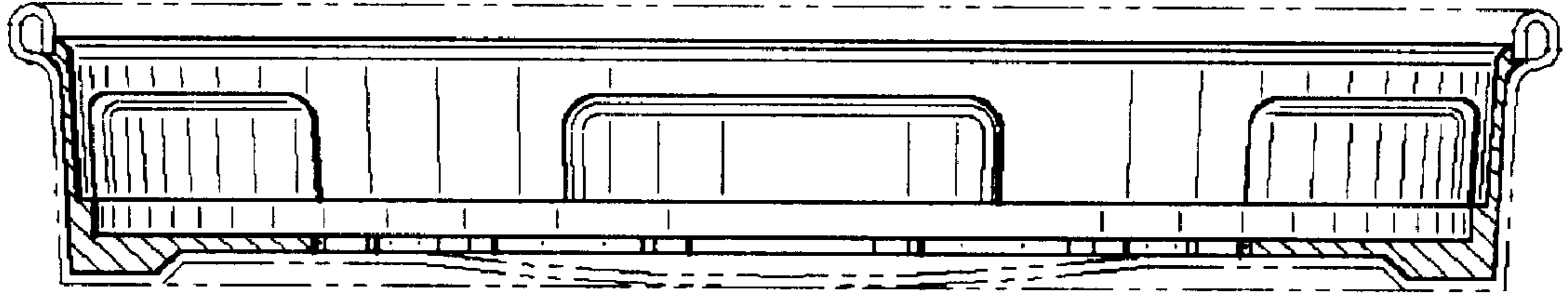


FIG. 3

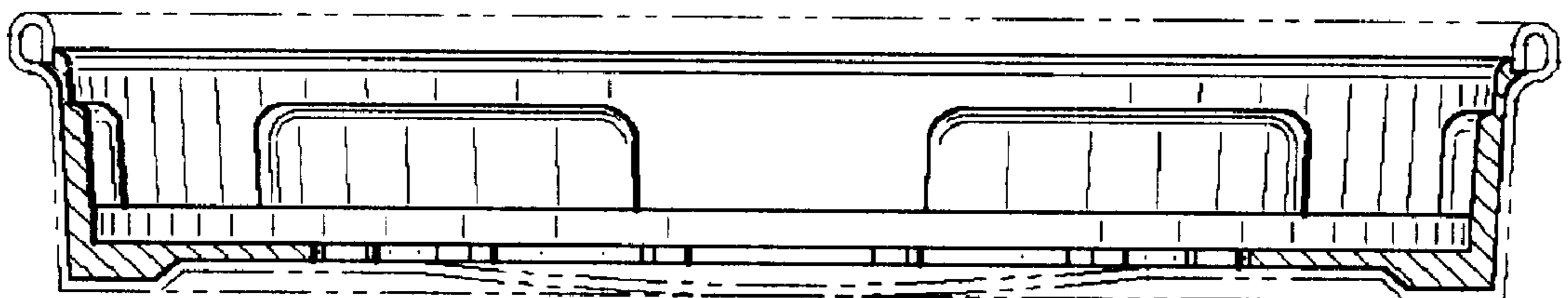


FIG. 4