



US00D472141S

(12) **United States Design Patent**
Buschkiel et al.

(10) **Patent No.:** **US D472,141 S**

(45) **Date of Patent:** **** Mar. 25, 2003**

(54) **SOFT POCKET PACKAGE FOR ABSORBENT TISSUE SHEETS HAVING A SAIL SHAPED OPENING**

(75) Inventors: **Dorothea Susanne Buschkiel**, Bad Soden (DE); **Sandra Gopfert**, Speyer (DE)

(73) Assignee: **The Procter & Gamble Company**, Cincinnati, OH (US)

(**) Term: **14 Years**

(21) Appl. No.: **29/161,426**

(22) Filed: **May 30, 2002**

(30) **Foreign Application Priority Data**

Dec. 10, 2001 (GB) 3000025

(51) **LOC (7) Cl.** **09-03**

(52) **U.S. Cl.** **D9/416; D9/432**

(58) **Field of Search** D9/414, 415, 418, D9/432, 337, 416, 417; 206/233, 769, 770, 778, 204, 228, 234, 494, 812; 211/45, 46, 63, 56; 229/123.1, 123.3, 210

(56) **References Cited**

U.S. PATENT DOCUMENTS

- 2,534,742 A * 12/1950 Tierney 206/233
- 4,197,949 A * 4/1980 Carisson 229/123.3
- D268,649 S * 4/1983 Adamson et al. D9/416
- D270,041 S * 8/1983 Vestal D9/416
- 4,513,862 A * 4/1985 Mallow 206/233

- 4,738,365 A * 4/1988 Prater 229/123.3
- D297,415 S * 8/1988 Gavin et al. D9/416
- D311,493 S * 10/1990 Boone D9/416
- 5,505,296 A * 4/1996 Parker 206/233
- 5,524,759 A * 6/1996 Herzberg et al. 206/233
- D371,959 S * 7/1996 Hupp D9/418

* cited by examiner

Primary Examiner—Prabhakar Deshmukh

(74) *Attorney, Agent, or Firm*—David M. Weirich; Ken K. Patel; Steven W. Miller

(57) **CLAIM**

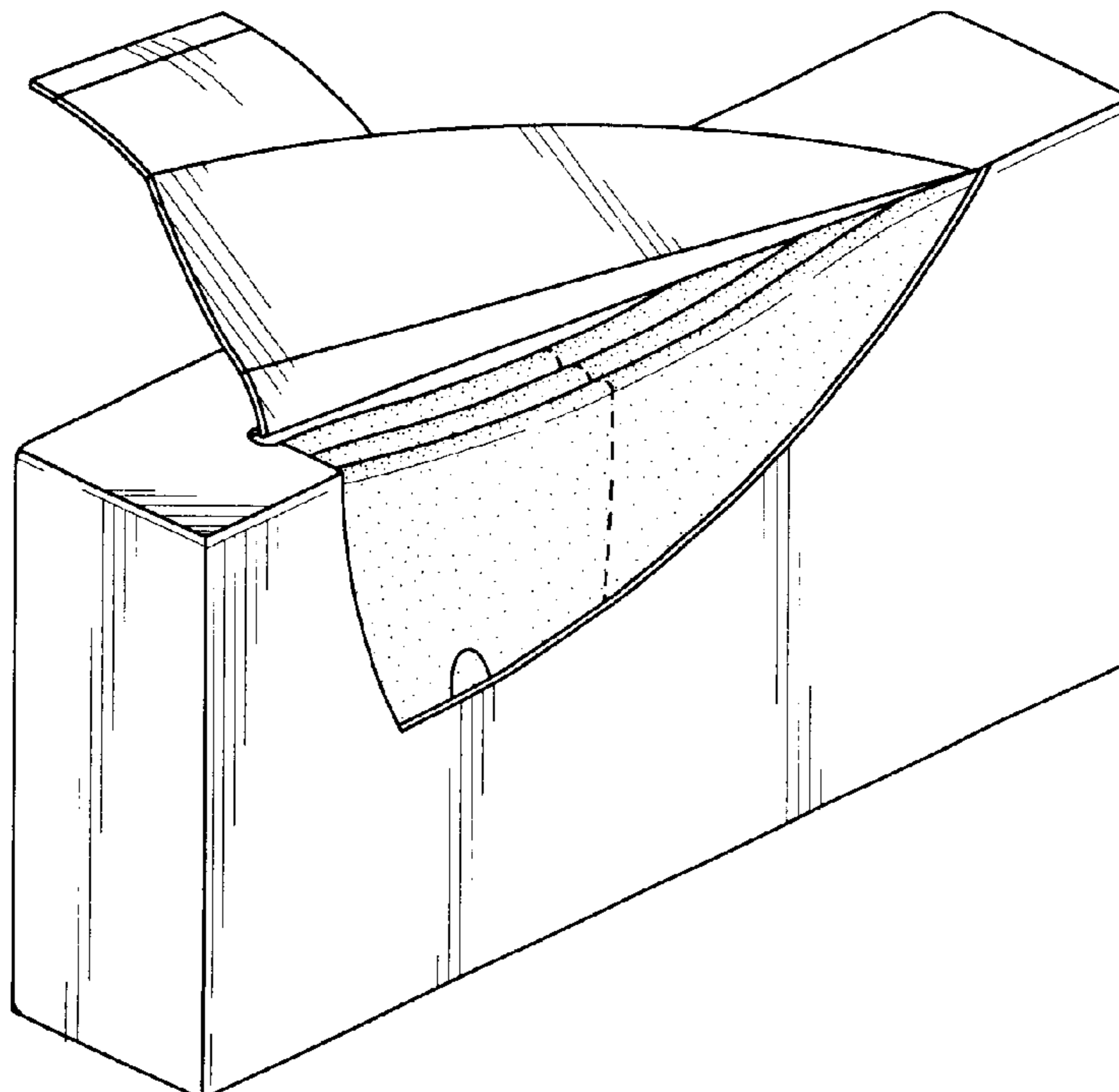
The ornamental design for a soft pocket package for absorbent tissue sheets having a sail shaped opening, as shown and described.

DESCRIPTION

FIG. 1 is a perspective view from front, above and left end; FIG. 2 is a front view; FIG. 3 is a back view; FIG. 4 is an end view; FIG. 5 is an end view; FIG. 6 is a top view; FIG. 7 is a bottom view; FIG. 8 is a perspective view of alternative embodiment; and, FIG. 9 is a perspective view of said alternative embodiment in a position of use.

The broken lines showing of tissue papers in FIG. 9 are for illustrative purpose only and forms no part of the claimed design.

1 Claim, 3 Drawing Sheets



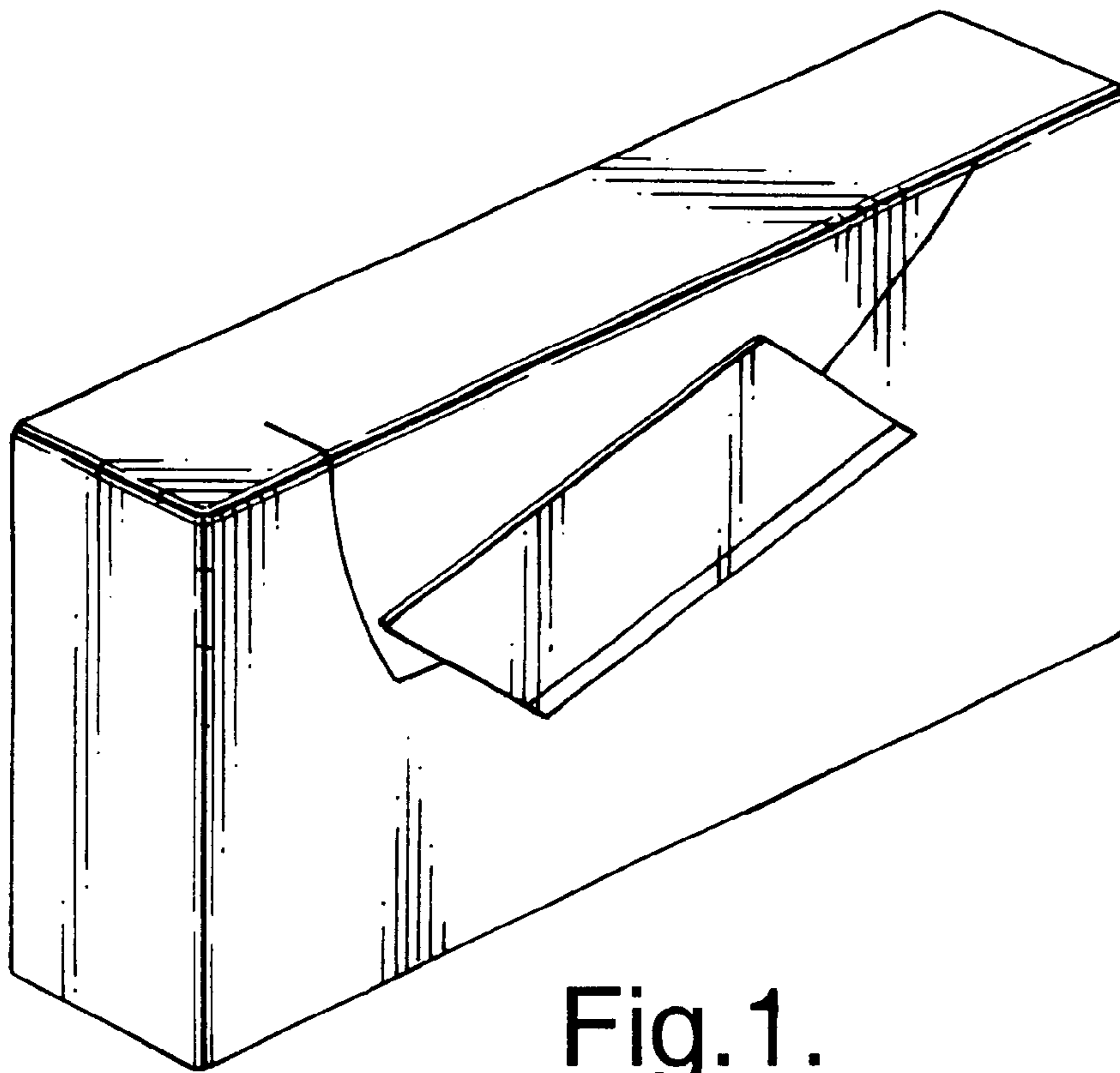


Fig.1.

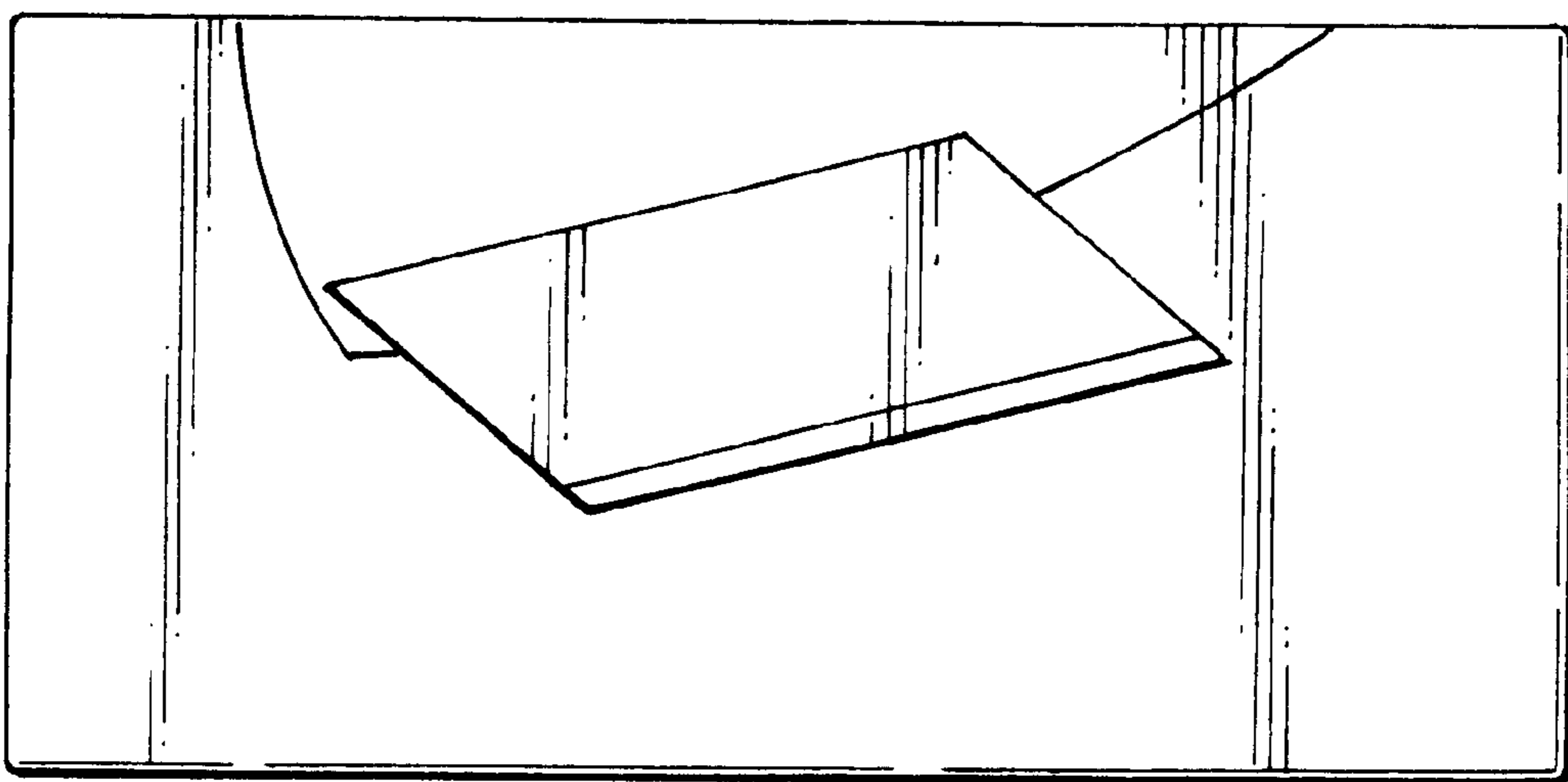


Fig.2.

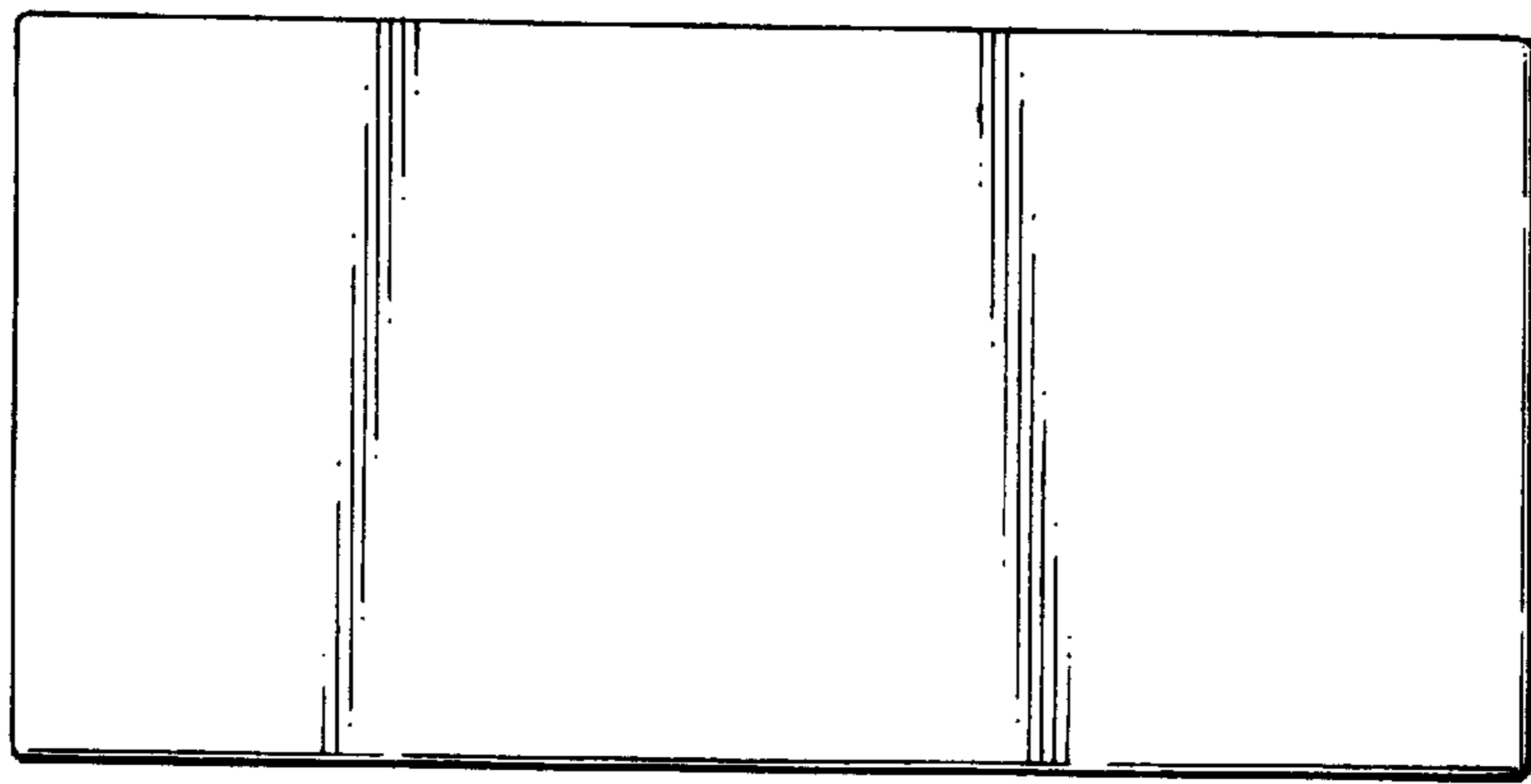


Fig.3.

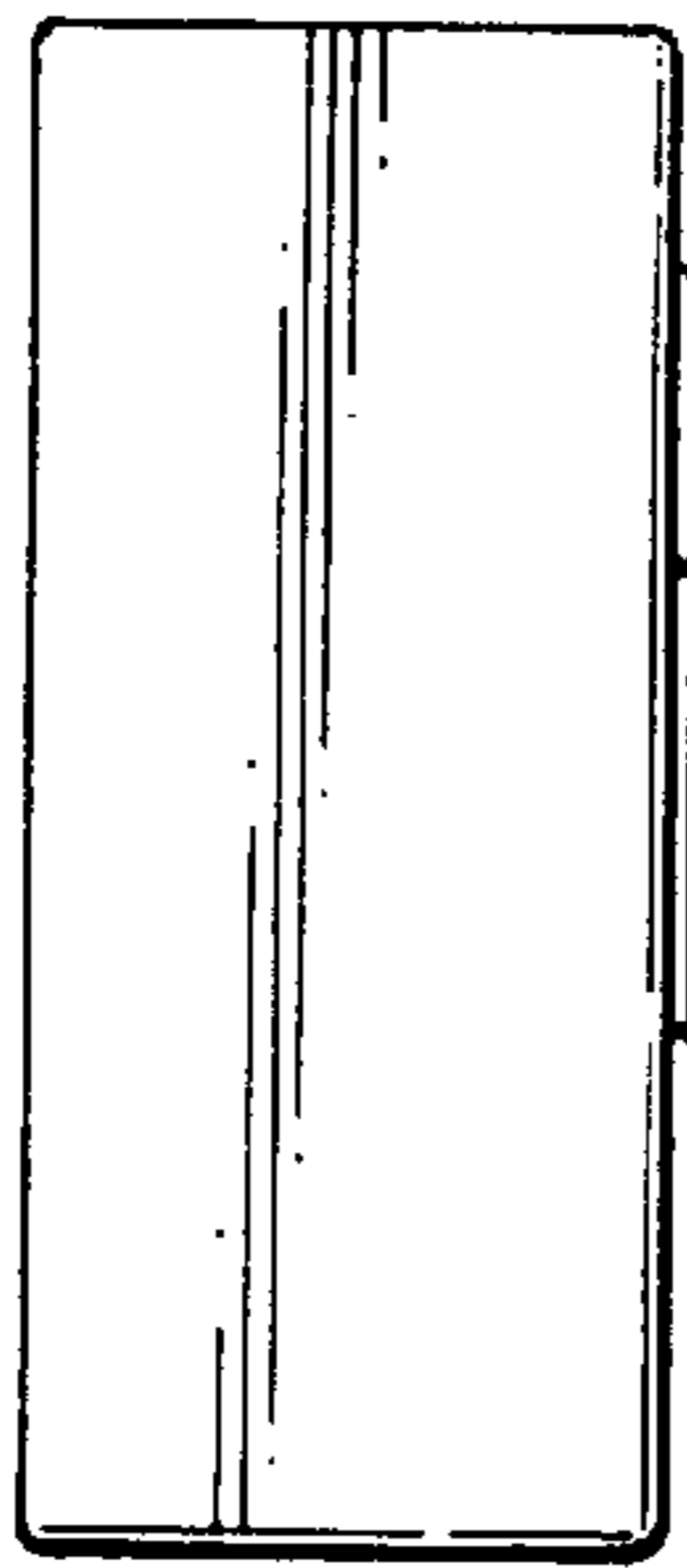


Fig.4.

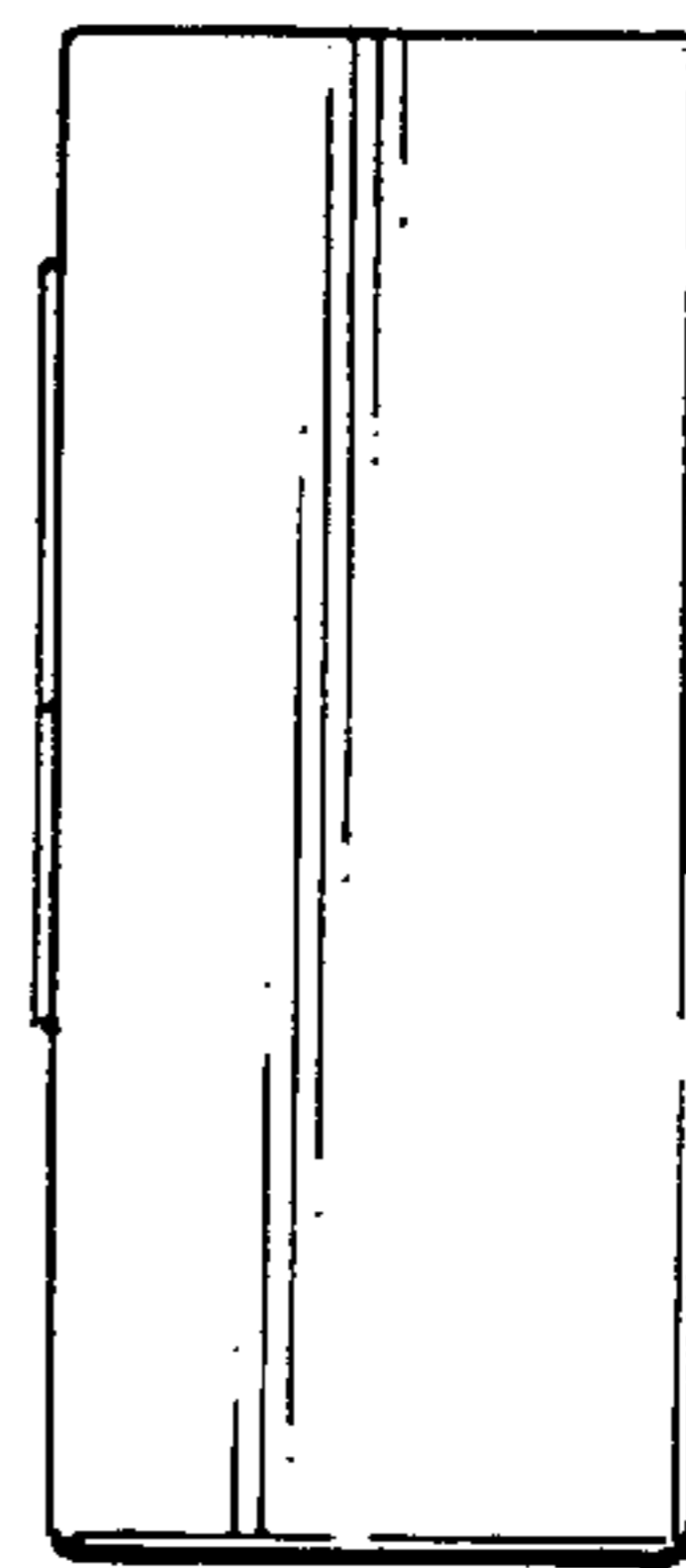


Fig.5.

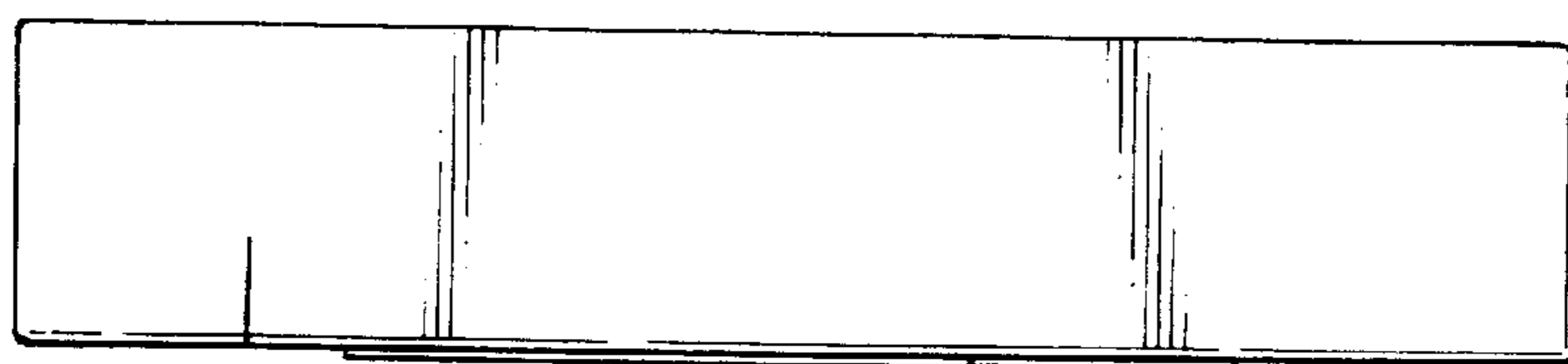


Fig.6.

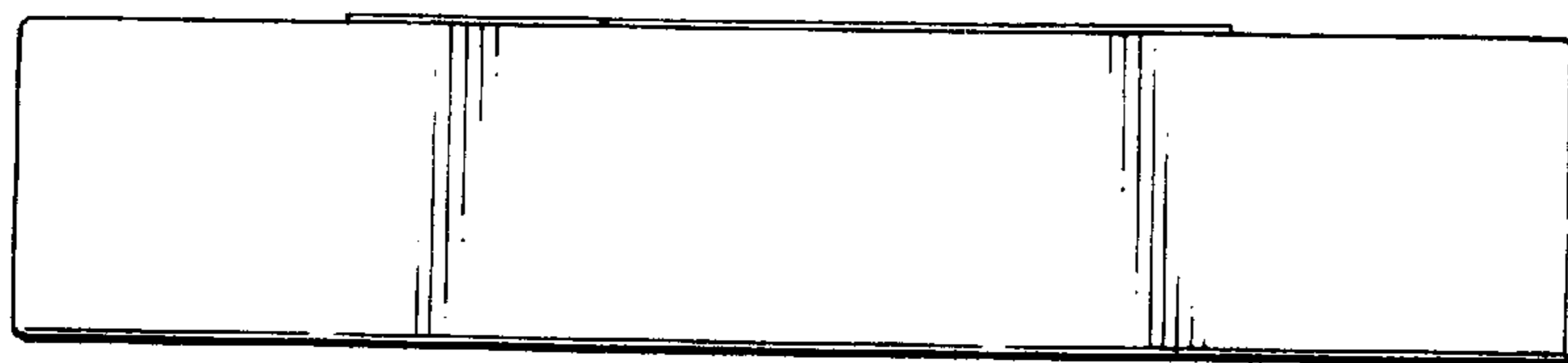


Fig.7.

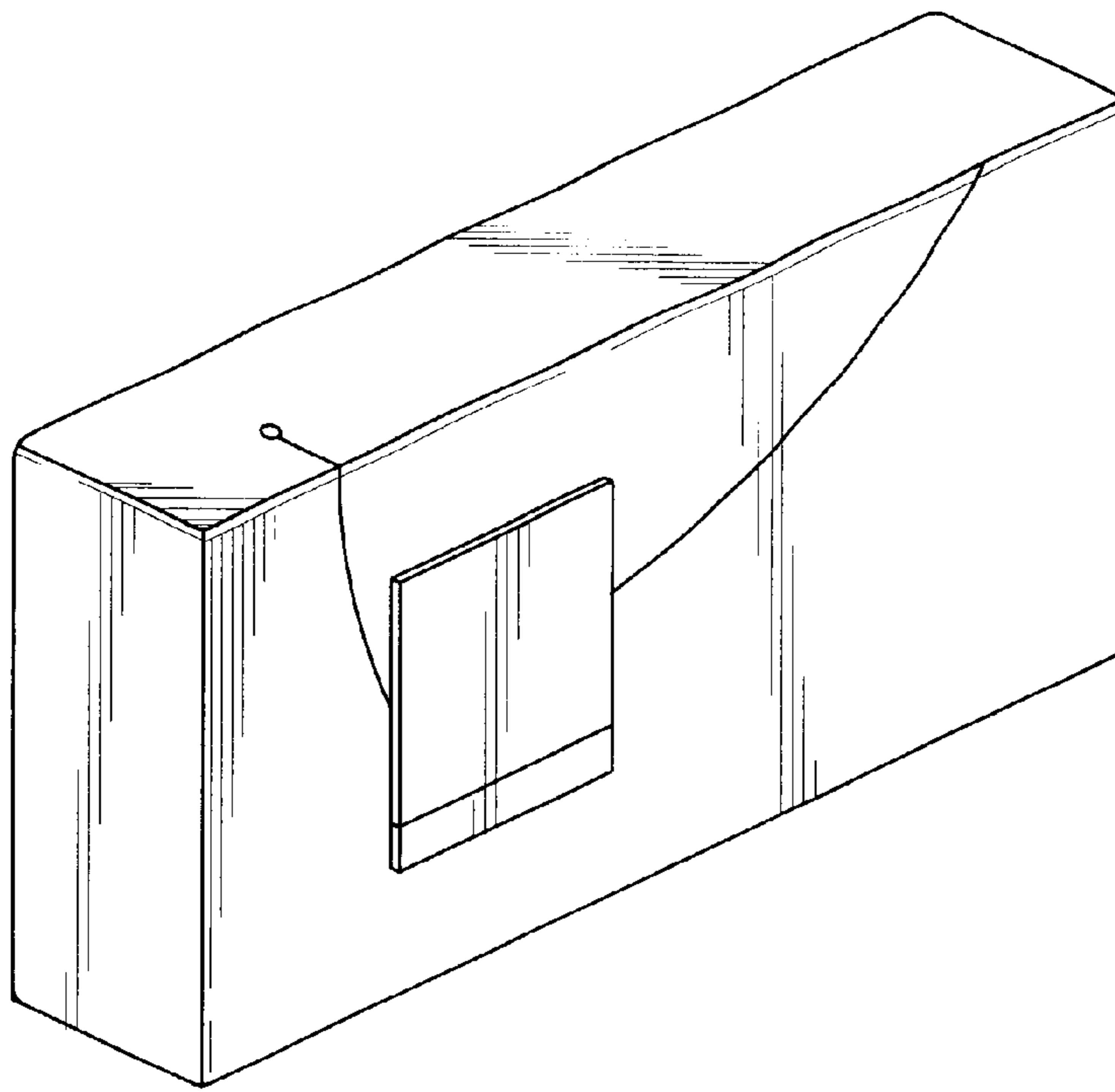


Fig. 8.

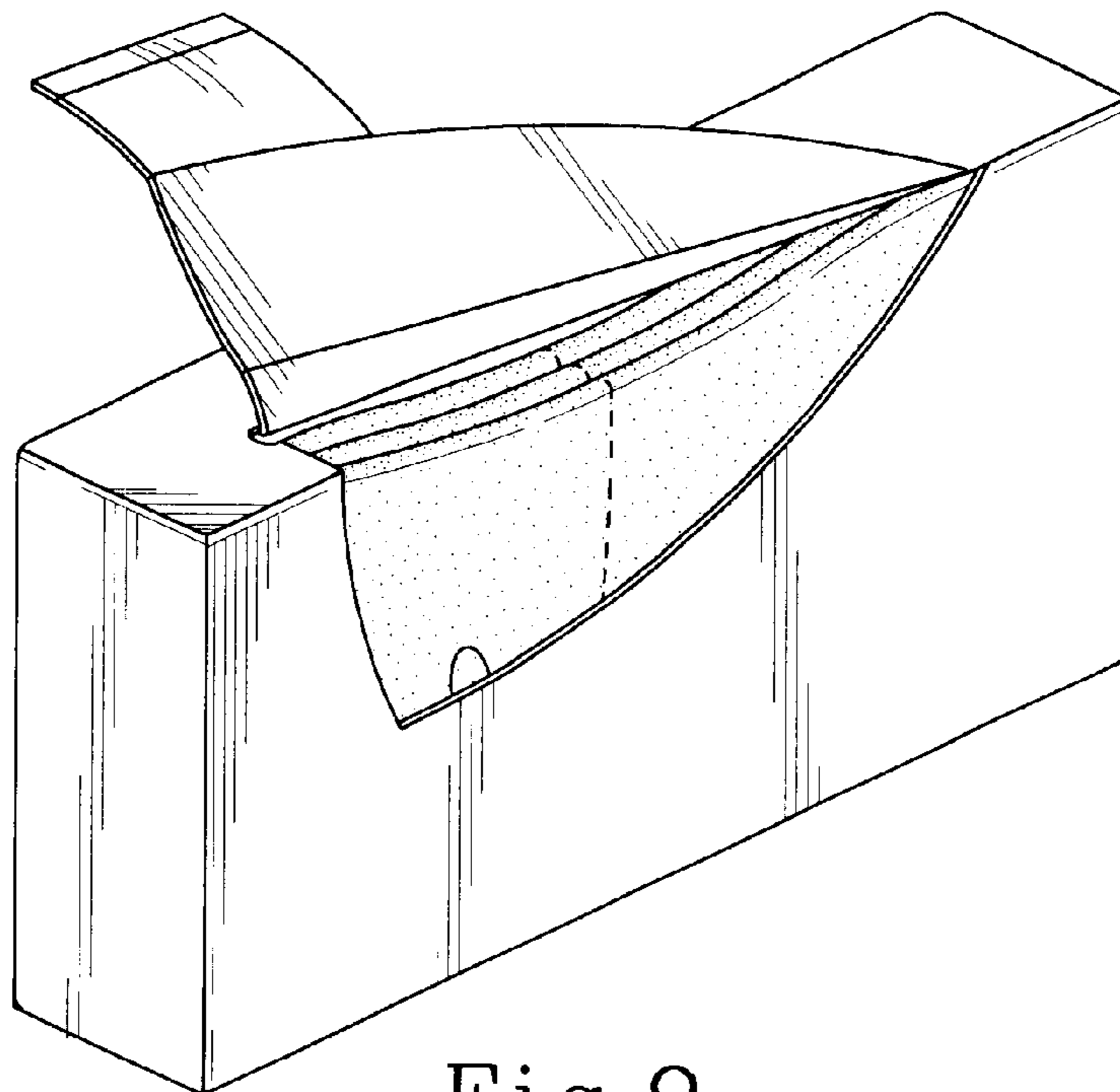


Fig. 9.