



US00D472140S

(12) **United States Design Patent**
Yang

(10) **Patent No.:** **US D472,140 S**

(45) **Date of Patent:** **** Mar. 25, 2003**

(54) **PACKING CASE FOR LOCK DEVICES**

(75) **Inventor:** **Peir-Ling Yang, Kaohsiung Hsien (TW)**

(73) **Assignee:** **Taiwan Fu Hsing Industrial Co., Ltd., Kaohsiung Hsien (TW)**

(**) **Term:** **14 Years**

(21) **Appl. No.:** **29/156,853**

(22) **Filed:** **Mar. 11, 2002**

(51) **LOC (7) Cl.** **09-03**

(52) **U.S. Cl.** **D9/415**

(58) **Field of Search** D9/337, 341, 347, D9/345, 414, 415, 418, 424, 425, 426, 431, 432; 206/320, 321, 349.1, 461, 462, 463, 464, 471, 485, 485.1, 775, 776, 779, 780; 220/4.22, 4.23, 4.24; 229/406

(56) **References Cited**

U.S. PATENT DOCUMENTS

4,512,474 A	*	4/1985	Harding	206/461
D320,934 S	*	10/1991	Cross et al.	D9/415
5,129,516 A	*	7/1992	Theros	206/463
D333,613 S	*	3/1993	Theros	D9/415
D365,753 S	*	1/1996	Sibbio	D9/415
D400,098 S	*	10/1998	Wang	D9/415
D415,417 S	*	10/1999	Suzuki	D9/415

D420,578 S	*	2/2000	Plumer	D9/415
D424,427 S	*	5/2000	Saputo et al.	D9/415
D441,645 S	*	5/2001	Longhurst	D9/415

* cited by examiner

Primary Examiner—Ted Shooman

Assistant Examiner—Daniel Bui

(74) *Attorney, Agent, or Firm*—Bacon & Thomas, PLLC

(57) **CLAIM**

The ornamental design for packing case for lock devices, as shown.

DESCRIPTION

FIG. 1 is a perspective view of the packing case for lock devices in accordance with the embodiment of the claimed design;

FIG. 2 is a right side elevational view thereof in a reduced scale;

FIG. 3 is a top plan view thereof in a reduced scale;

FIG. 4 is a front elevational view thereof in a reduced scale;

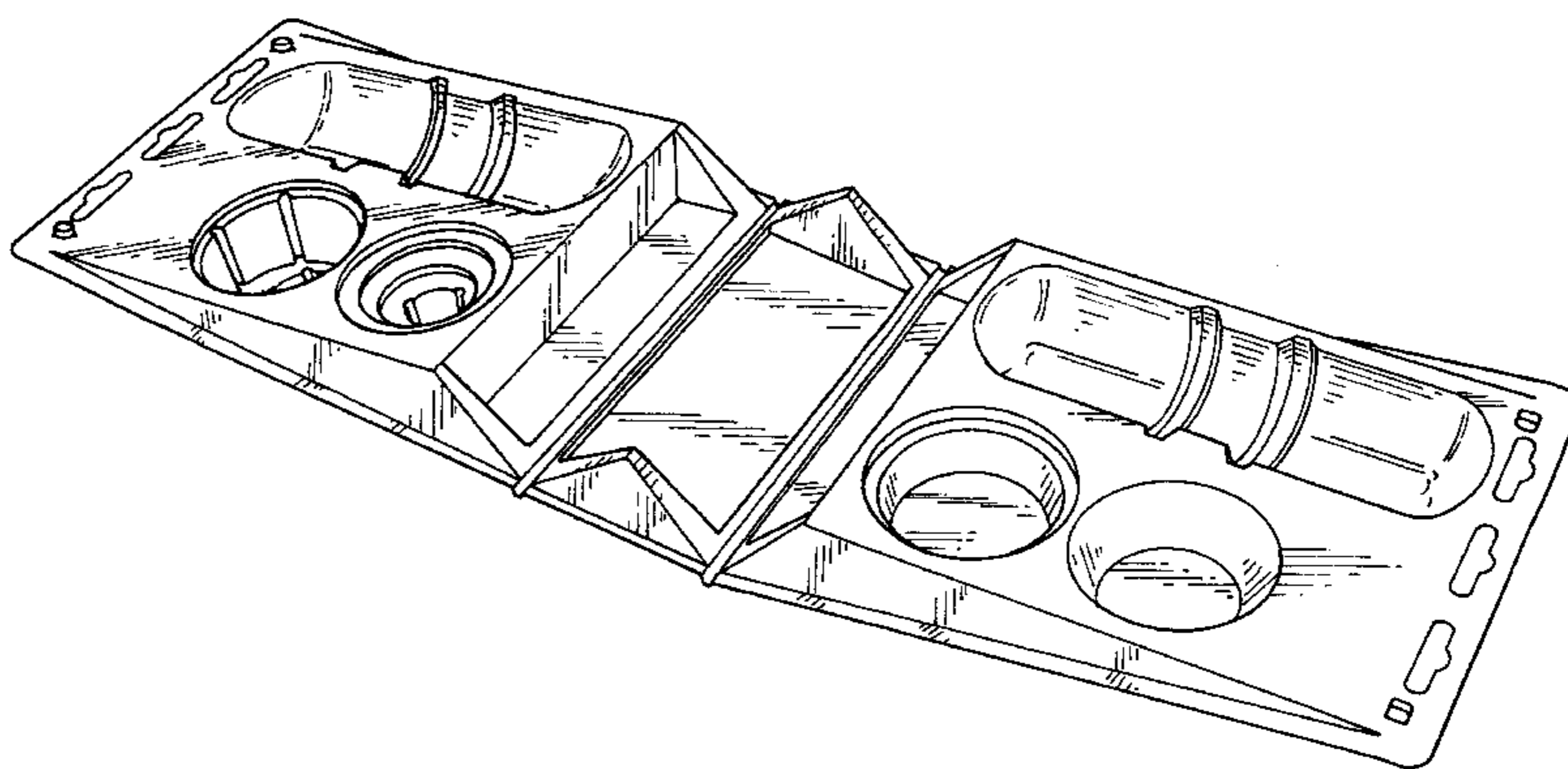
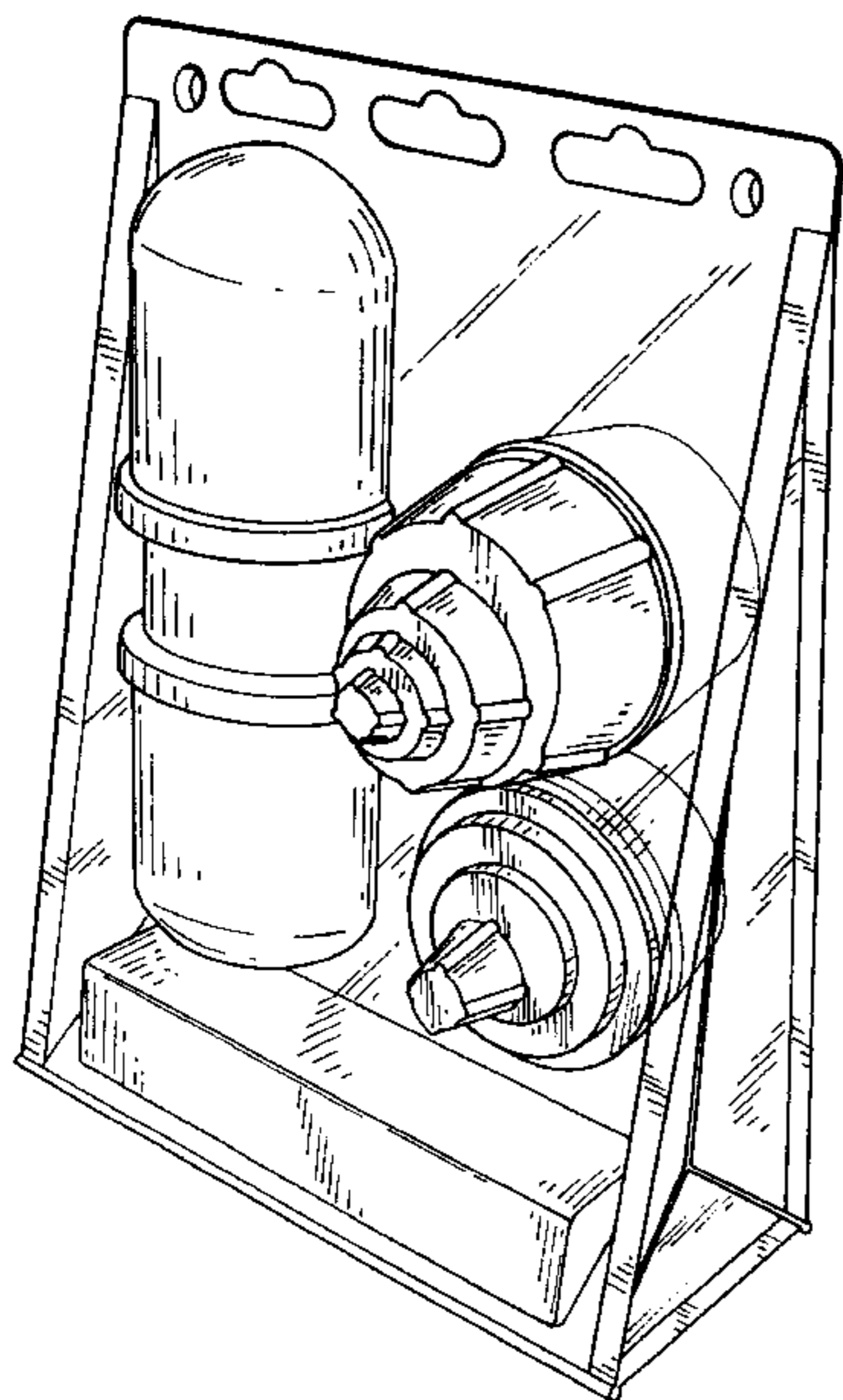
FIG. 5 is a bottom plan view thereof in a reduced scale;

FIG. 6 is a left side elevational view thereof in a reduced scale;

FIG. 7 is a rear elevational view thereof in a reduced scale; and,

FIG. 8 is a perspective view thereof in a reduced scale, and in open condition.

1 Claim, 5 Drawing Sheets



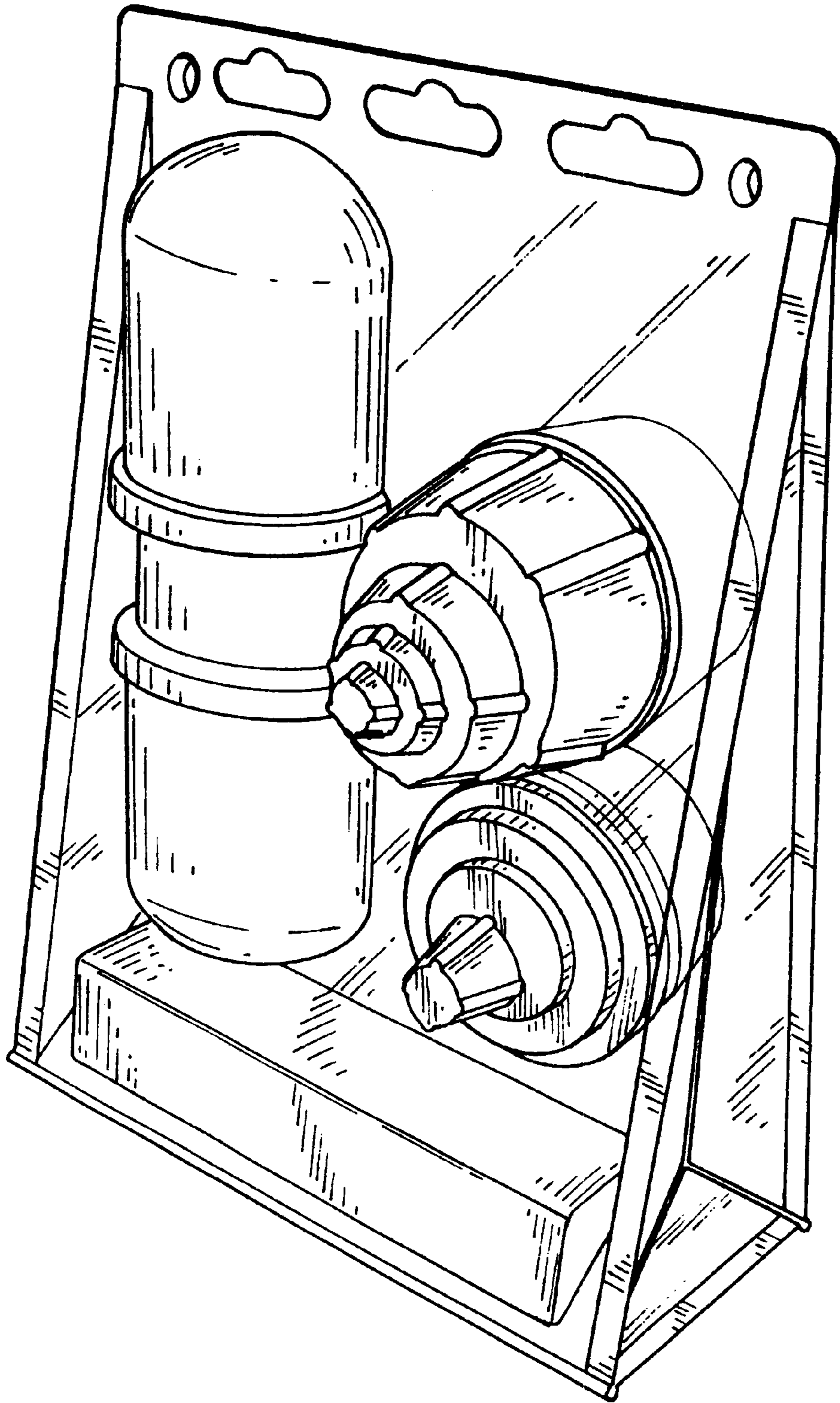


FIG. 1

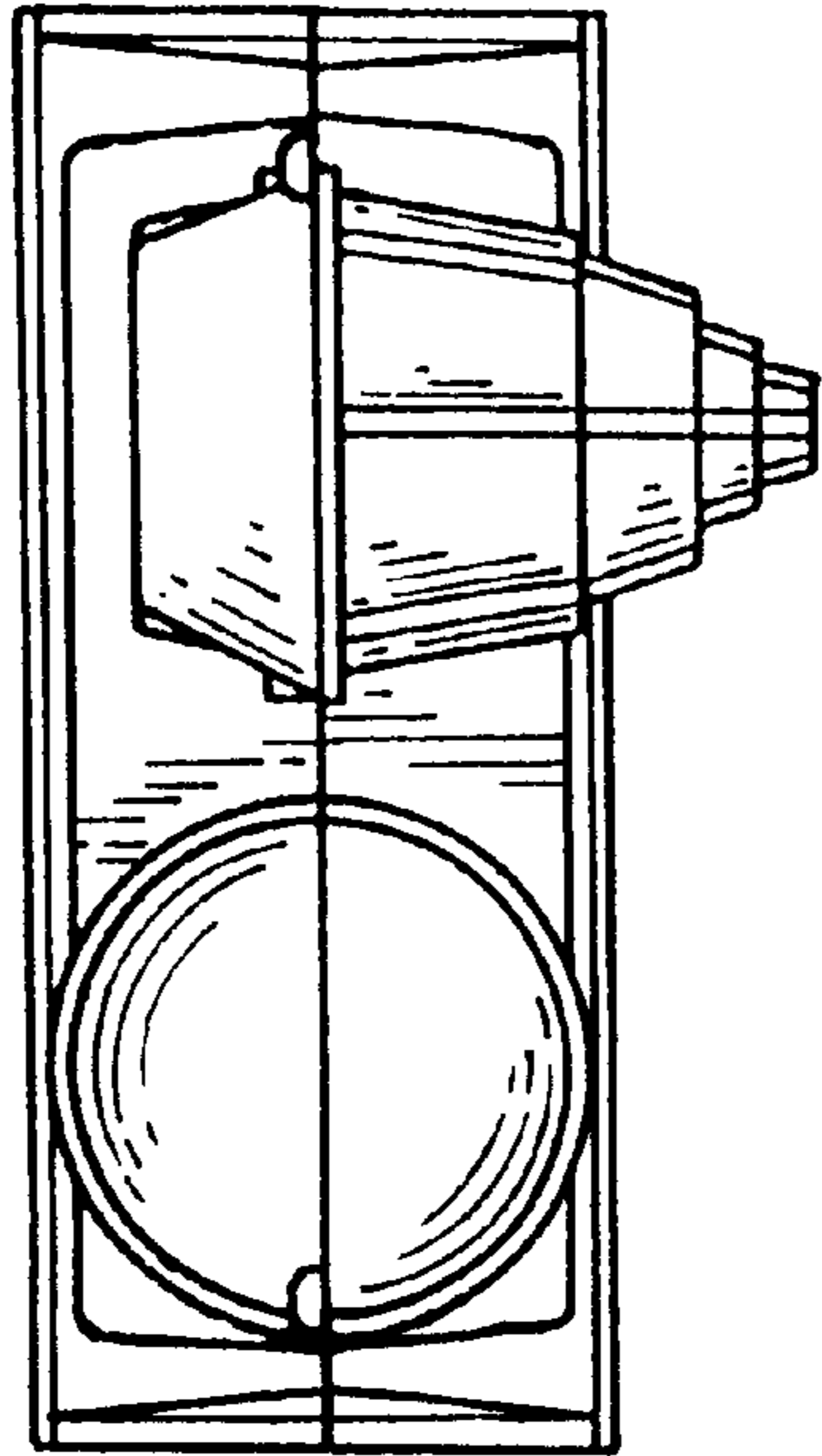


FIG. 3

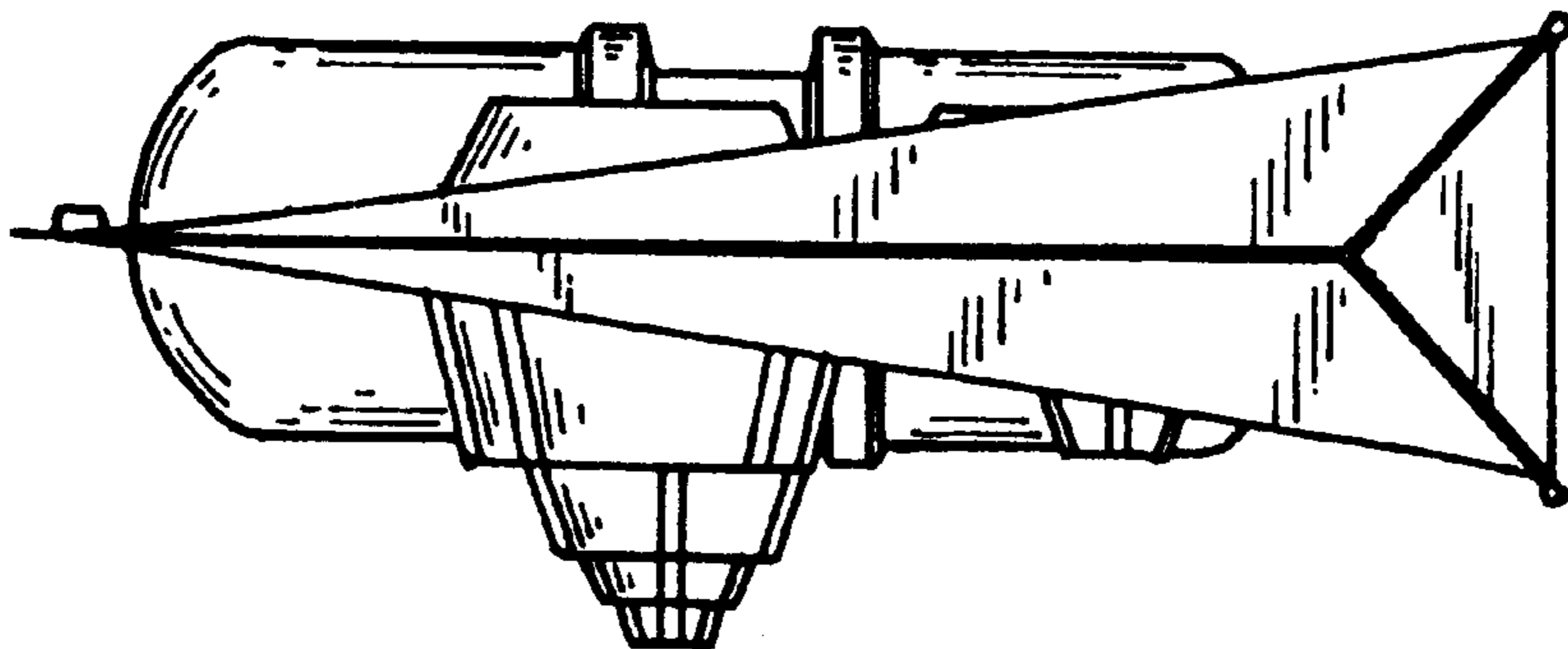


FIG. 2

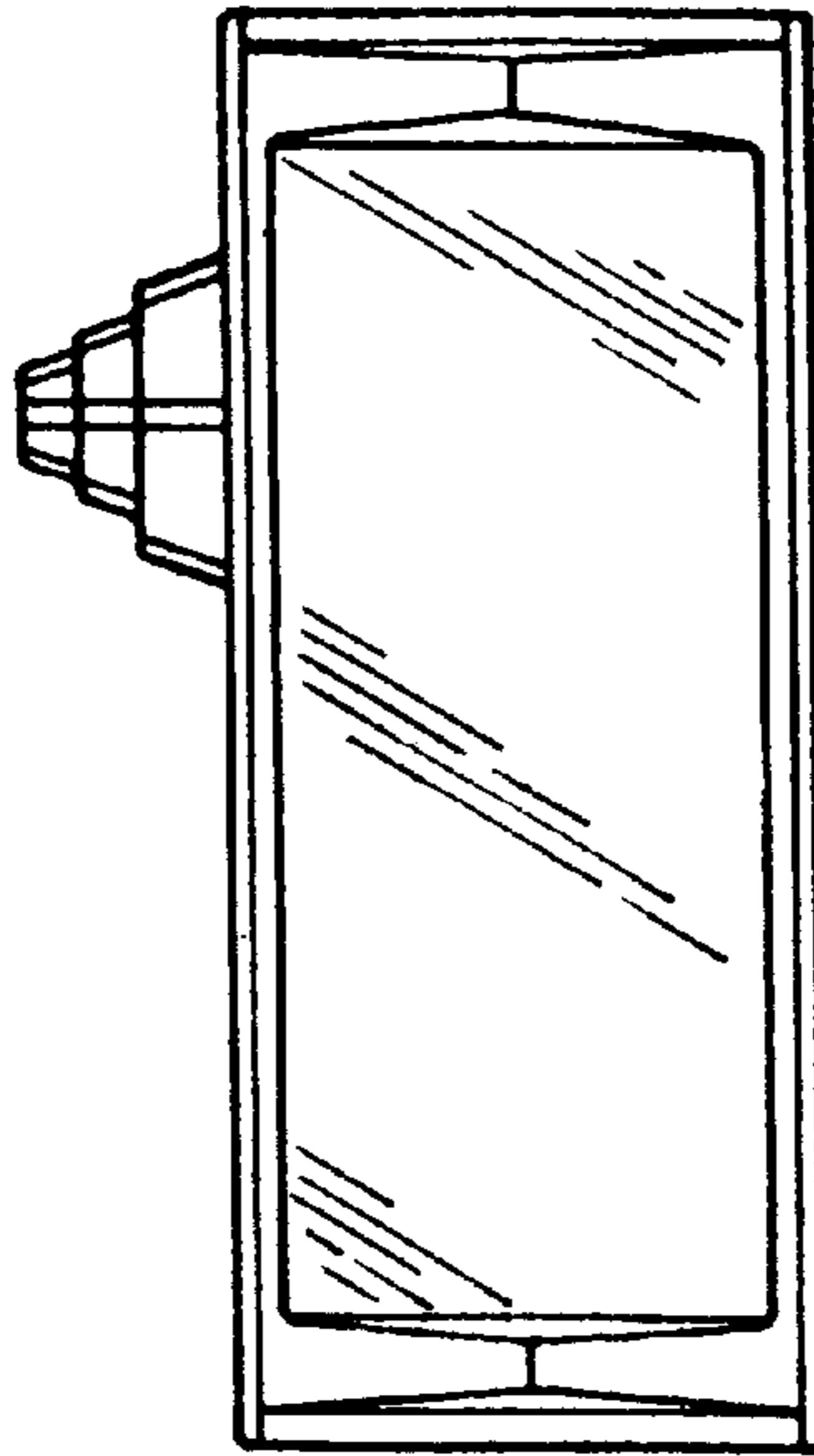


FIG. 5

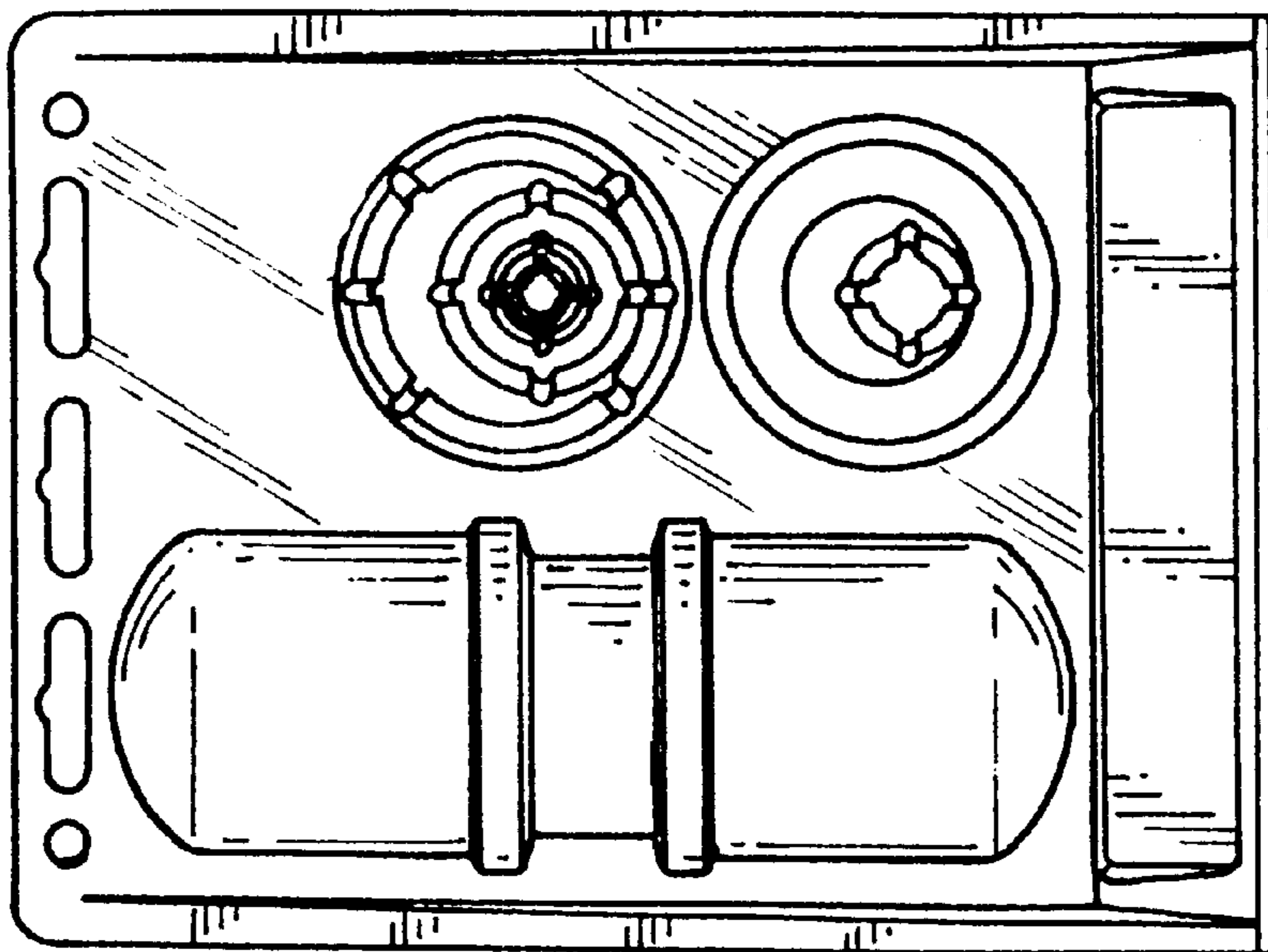


FIG. 4

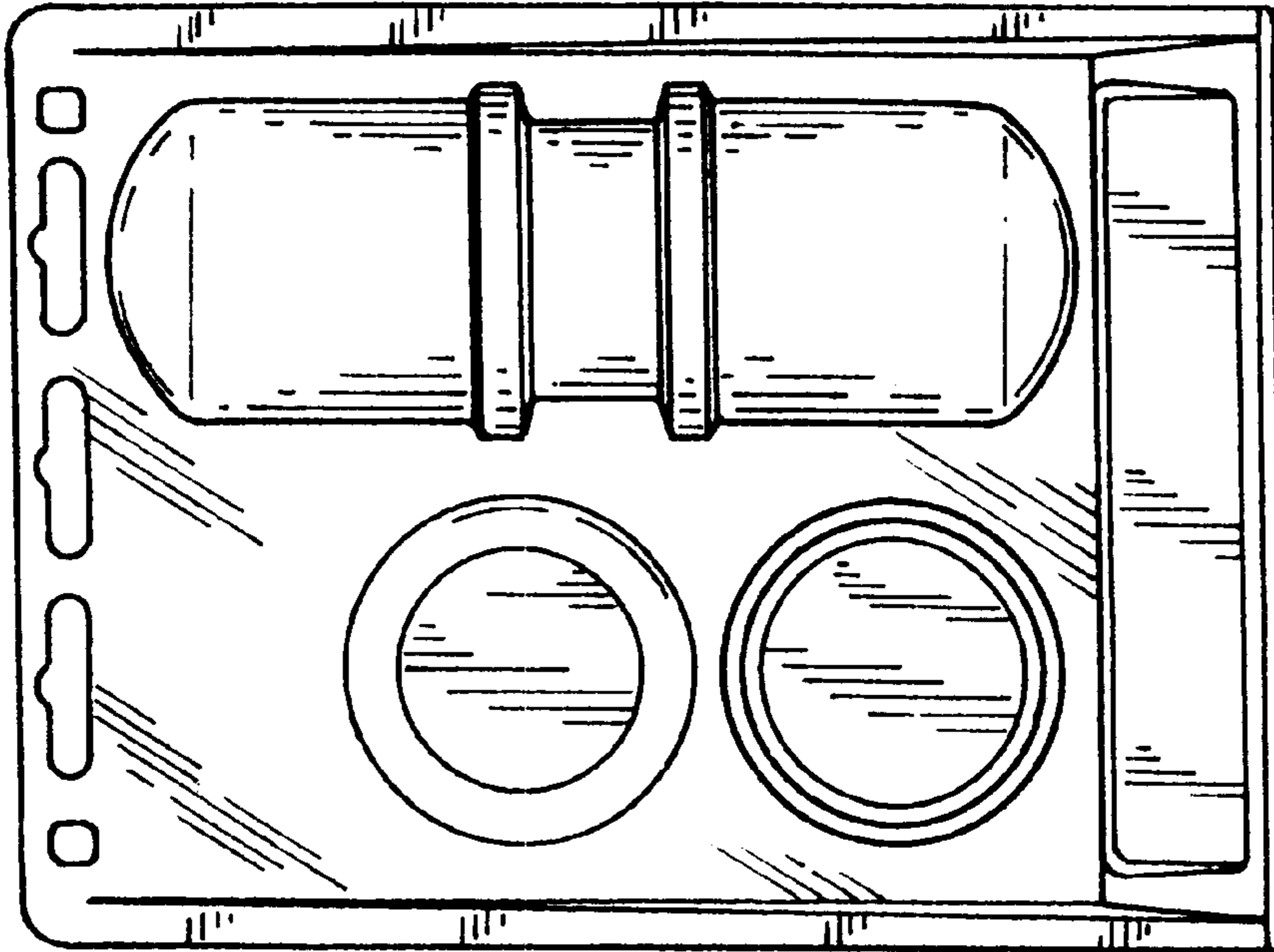


FIG. 7

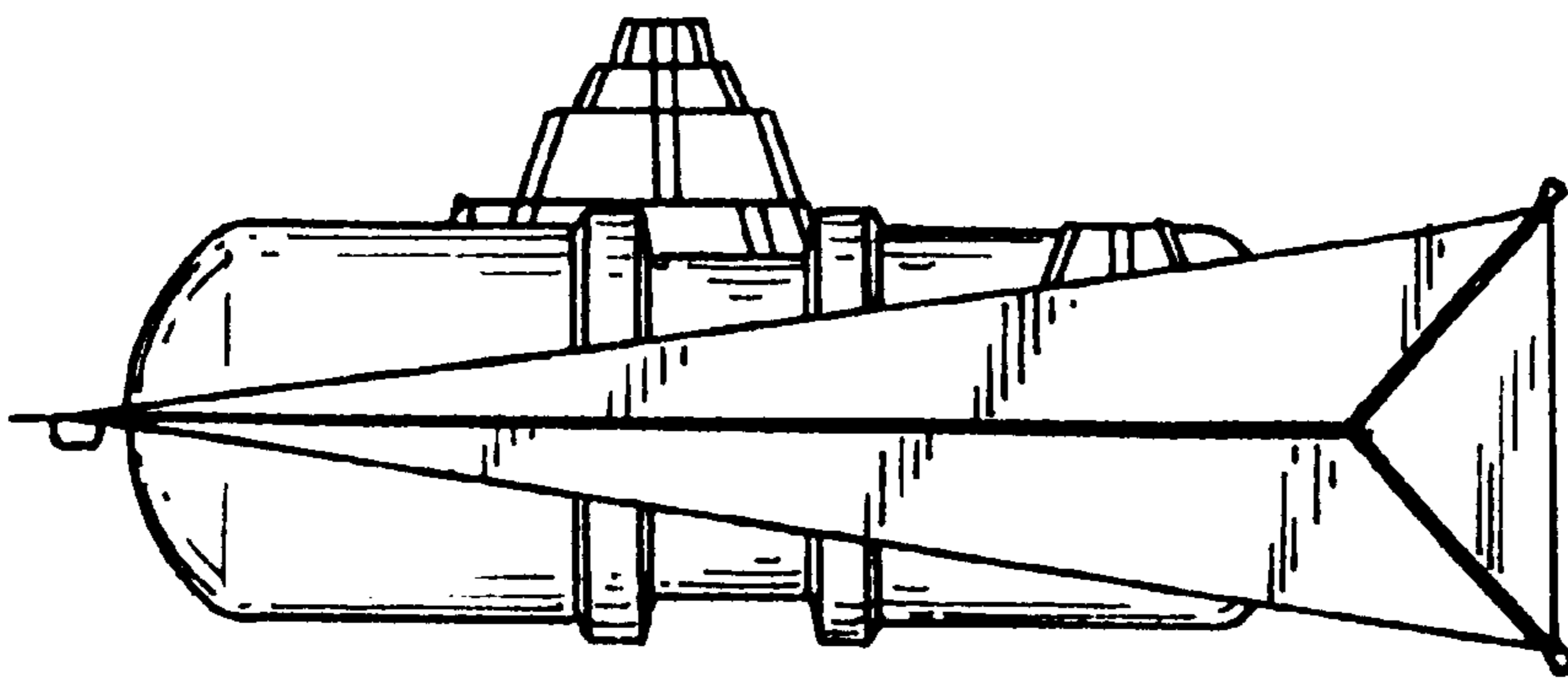


FIG. 6

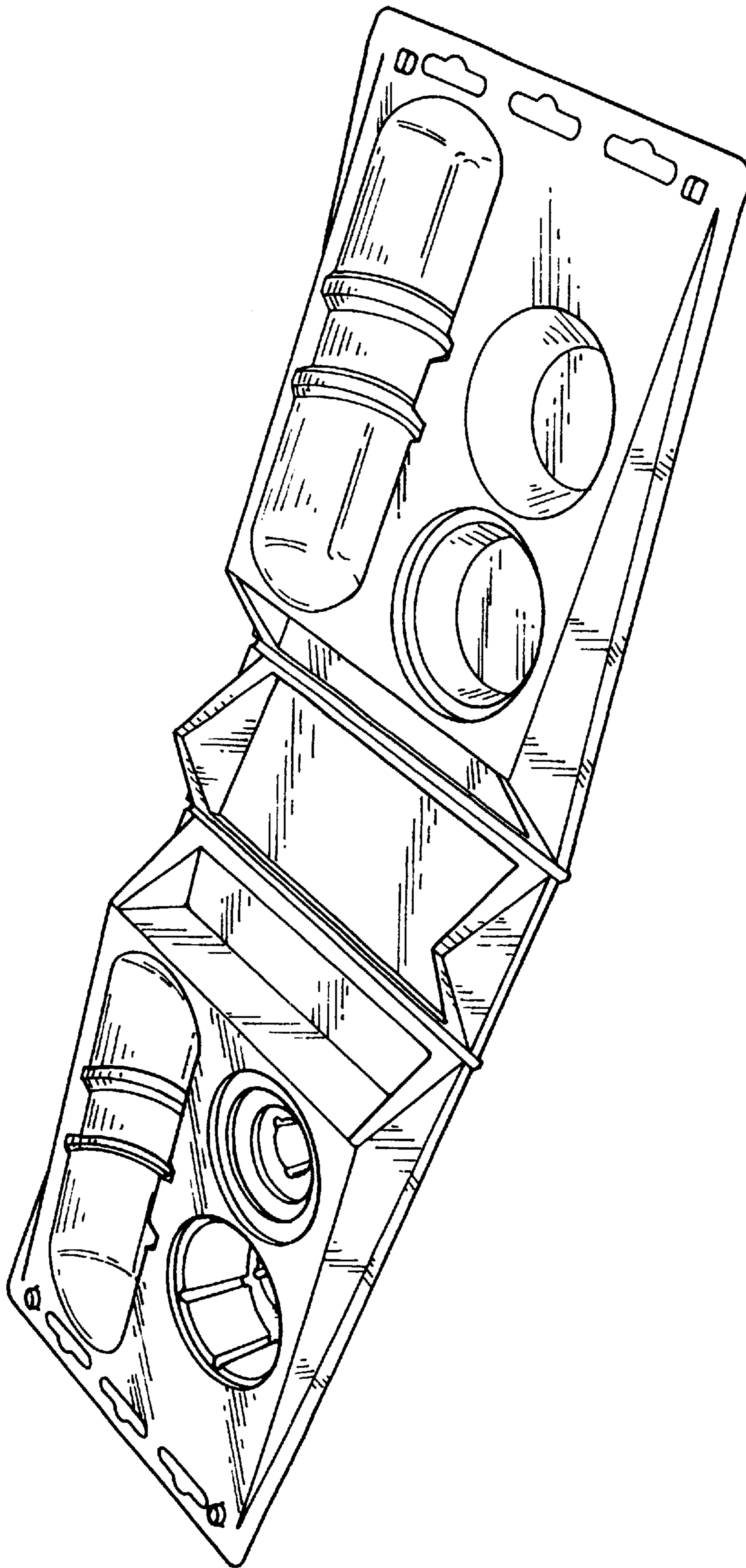


FIG. 8