



US00D472139S

(12) **United States Design Patent**
Rizzuto, Jr.

(10) **Patent No.:** **US D472,139 S**

(45) **Date of Patent:** **** Mar. 25, 2003**

(54) **ZIPPERED BAG**

(75) **Inventor:** **Leandro P. Rizzuto, Jr., Sheridan, WY (US)**

(73) **Assignee:** **Conair Corporation, Stamford, CT (US)**

(**) **Term:** **14 Years**

(21) **Appl. No.:** **29/158,187**

(22) **Filed:** **Apr. 1, 2002**

(51) **LOC (7) Cl.** **09-05**

(52) **U.S. Cl.** **D9/305**

(58) **Field of Search** D9/305, 306; 383/100, 383/104, 120, 121, 38, 35; 229/104, 115, 193; D3/232, 252, 900, 901; 190/900

(56) **References Cited**

U.S. PATENT DOCUMENTS

3,606,822 A * 9/1971 Platz et al. 383/100
5,149,201 A * 9/1992 Benoit 383/120

D350,689 S * 9/1994 Chao D9/305
5,437,406 A * 8/1995 Gordon et al. 229/193
D458,121 S * 6/2002 Ichikawa D9/305

* cited by examiner

Primary Examiner—Paula A. Mortimer

(74) *Attorney, Agent, or Firm*—Ohlandt, Greeley, Ruggiero & Perle, L.L.P.

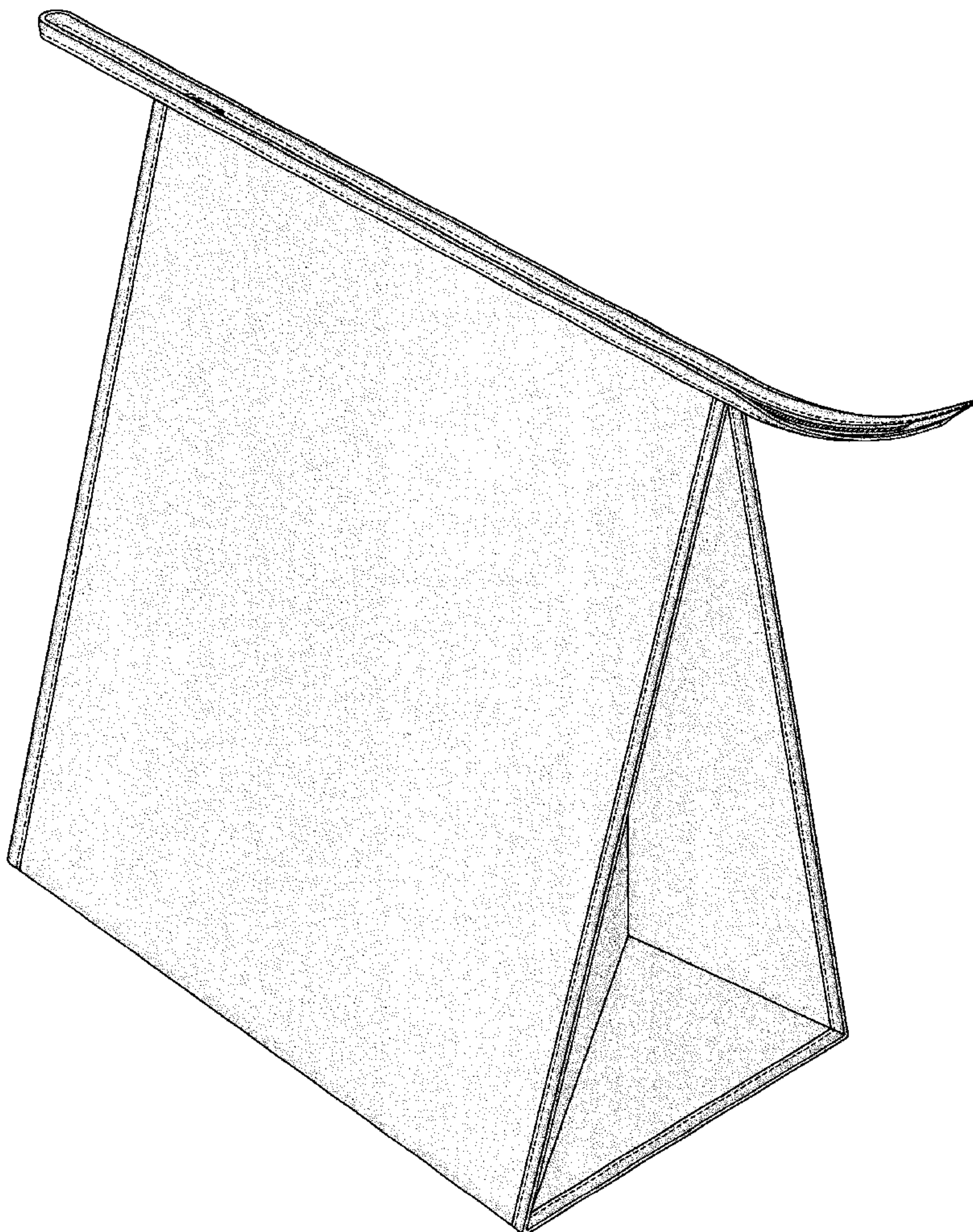
(57) **CLAIM**

The ornamental design for zippered bag, as shown and described.

DESCRIPTION

FIG. 1 is a perspective view of a zippered bag according to the present invention;
FIG. 2 is a top view of the zippered bag of FIG. 1;
FIG. 3 is a first side view of the zippered bag of FIG. 1;
FIG. 4 is a second side view, rotated ninety degrees from the first side view, of the zippered bag of FIG. 1; and,
FIG. 5 is a third side view, opposite the second side view, of the zippered bag of FIG. 1.

1 Claim, 3 Drawing Sheets



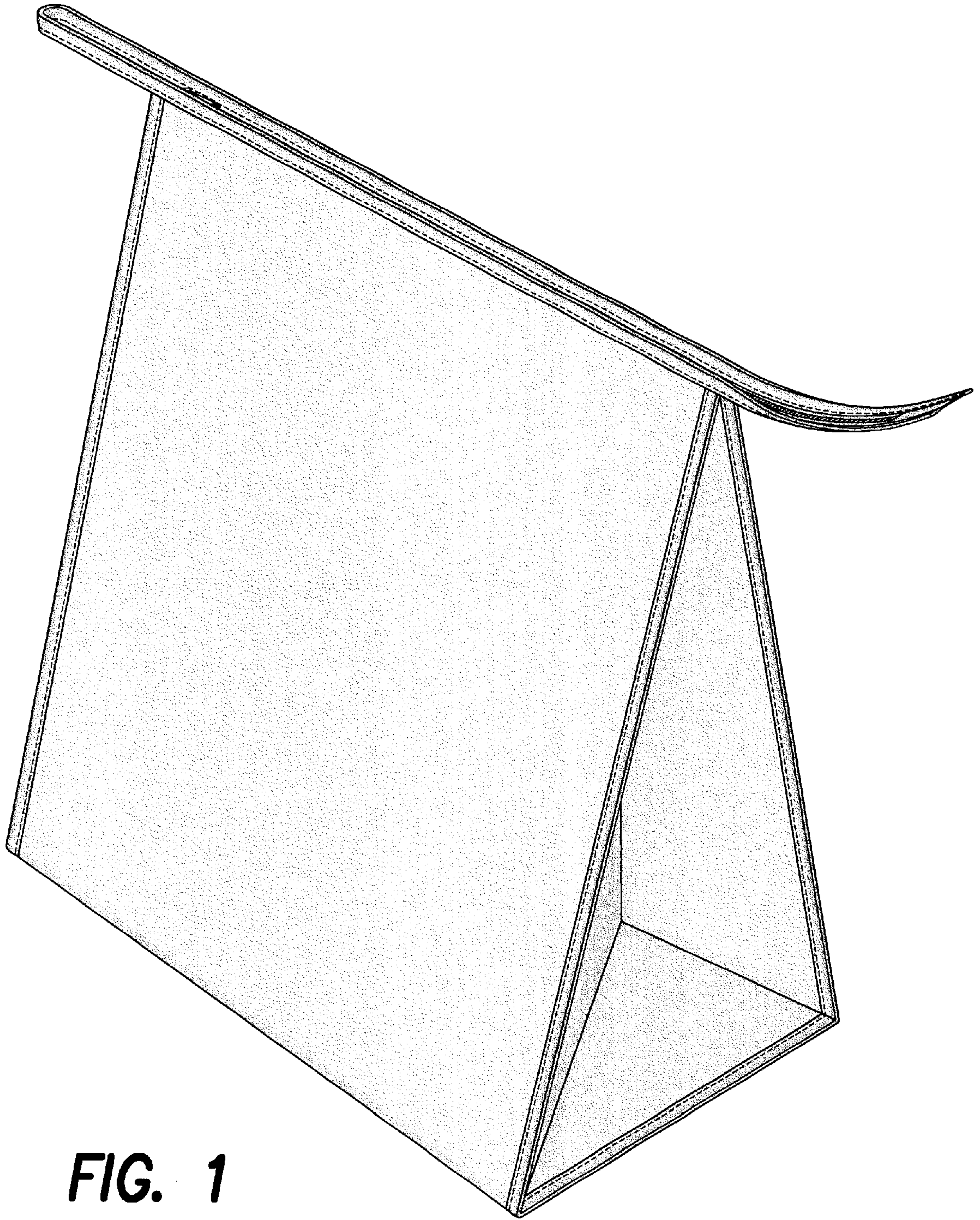


FIG. 1

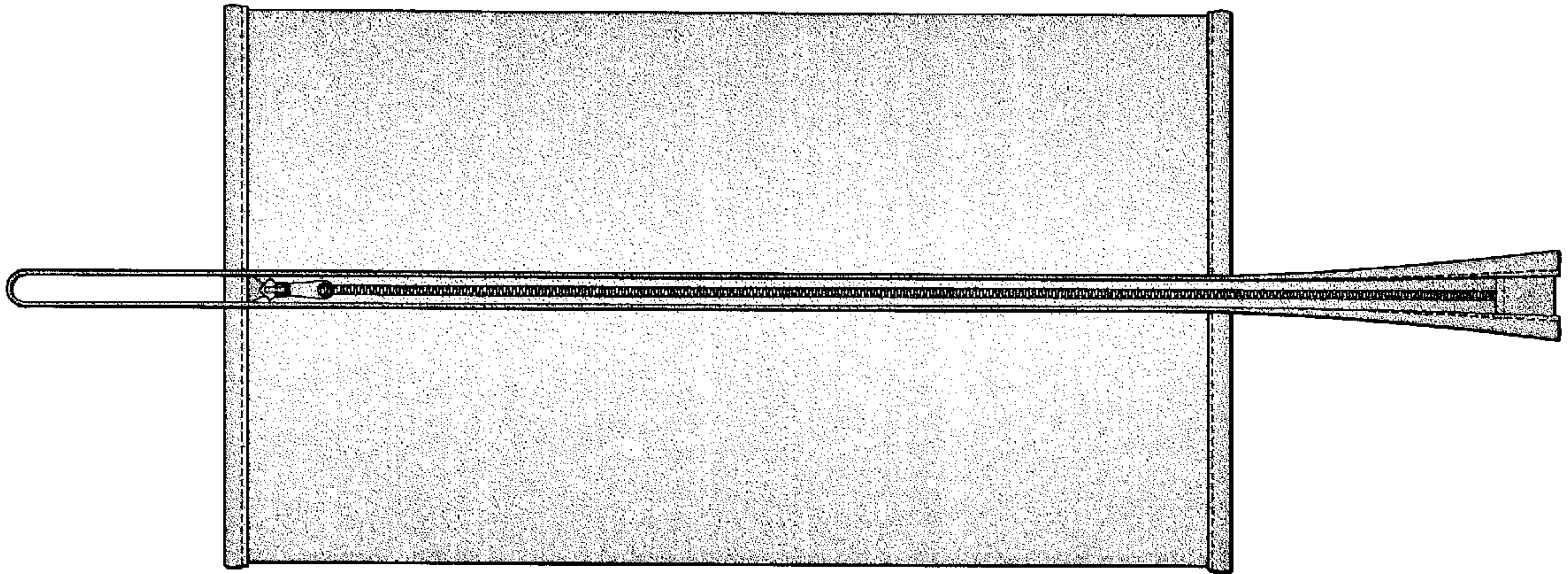


FIG. 2

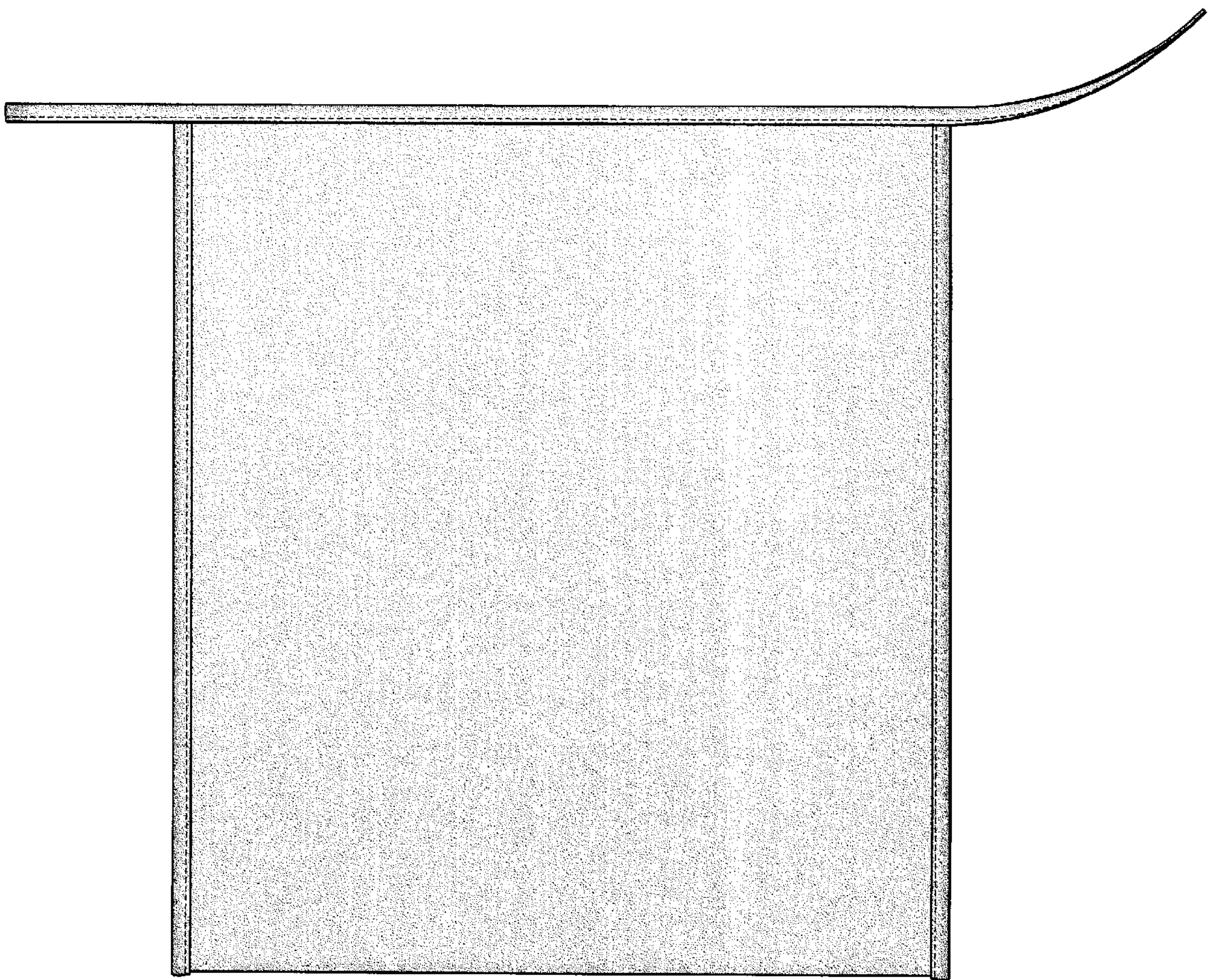


FIG. 3

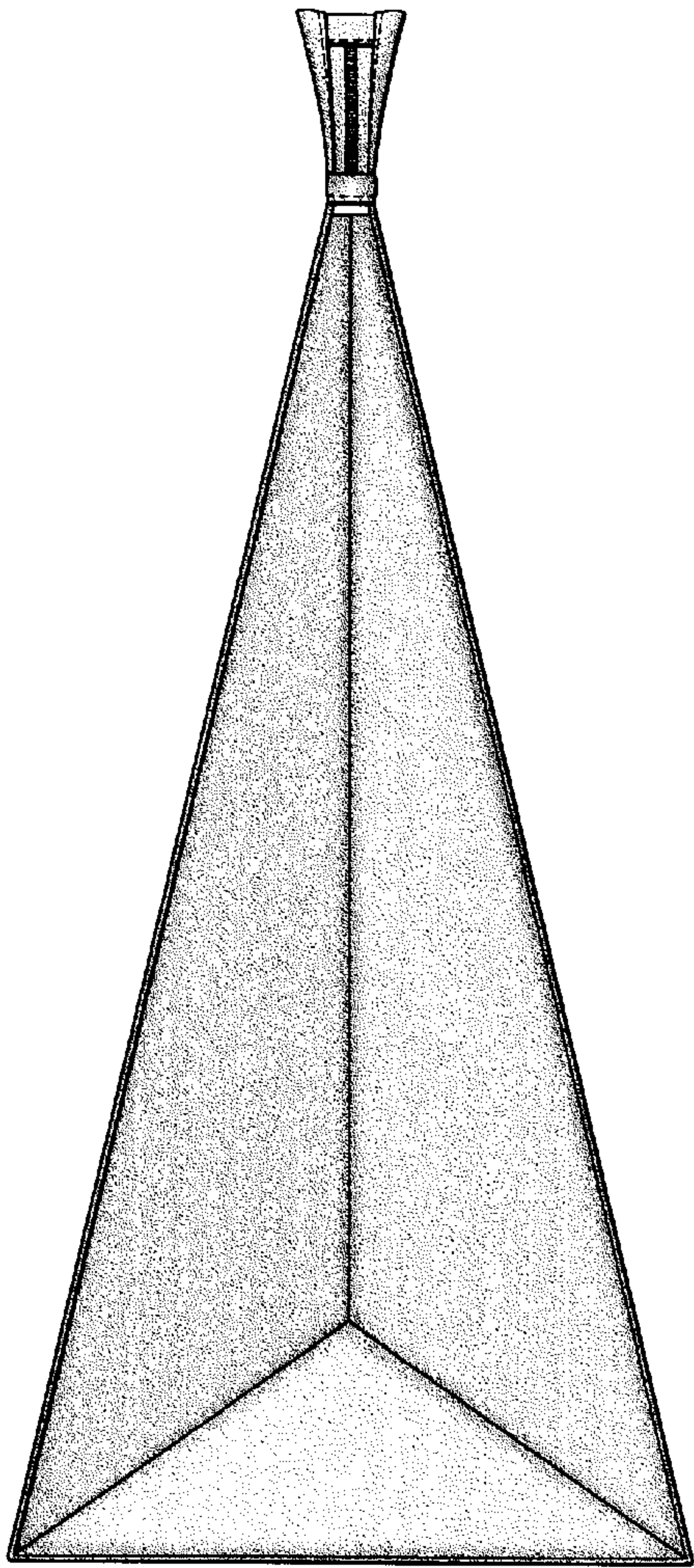


FIG. 4

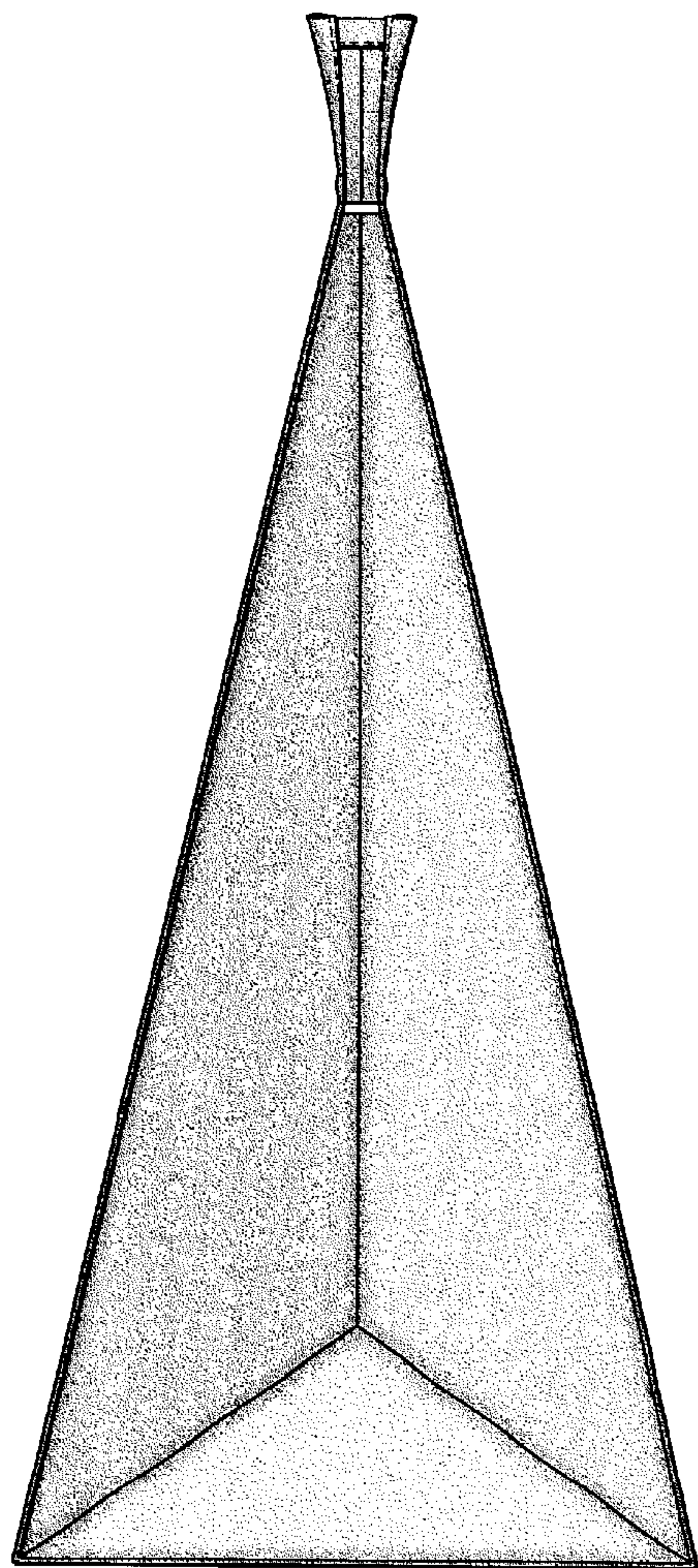


FIG. 5