



US00D472138S

(12) **United States Design Patent**
Brozell et al.

(10) **Patent No.:** **US D472,138 S**

(45) **Date of Patent:** **** Mar. 25, 2003**

(54) **CLOSURE AND CONTAINER PACKAGE**

D392,561 S 3/1998 Markey et al.

(75) Inventors: **Leonora M. Brozell**, Maumee, OH (US); **Jeffrey J. Baltzell**, Fremont, OH (US)

(List continued on next page.)

(73) Assignee: **Owens-Illinois Closure Inc.**, Toledo, OH (US)

Primary Examiner—Paula A. Mortimer

(**) Term: **14 Years**

(57) **CLAIM**

We claim the ornamental design for a closure and container package, as shown and described.

(21) Appl. No.: **29/151,457**

(22) Filed: **Nov. 8, 2001**

DESCRIPTION

(51) **LOC (7) Cl.** **09-01**

(52) **U.S. Cl.** **D9/302**

(58) **Field of Search** D9/300, 302, 306, D9/521, 539; 222/94, 107, 145.3, 536, 507, 522, 490, 494, 212; D28/7; 424/400

FIG. 1 is a side perspective view of a closure and container package in accordance with one aspect of the present invention;

FIG. 2 is a front elevational view of the closure and container package in FIG. 1;

FIG. 3 is a top plan view of the closure and container package of FIGS. 1 and 2;

FIG. 4 is a side elevational view of the closure and container package of FIGS. 1-3, the opposing side elevational view being a mirror image of FIG. 4;

FIG. 5 is a rear elevational view of the closure and container package of FIGS. 1-4;

FIG. 6 is a bottom plan view of the closure and container package of FIGS. 1-5;

FIG. 7 is a side perspective view of a closure for the closure and container package shown separately for purposes of illustration;

FIG. 8 is a front elevational view of the closure in FIG. 7; FIG. 9 is a top plan view of the closure in FIGS. 7-8, the bottom of the closure being without ornamentation and forming no part of the claimed design;

FIG. 10 is a side elevational view of the closure in FIGS. 7-8, the opposing side elevational view being a mirror image of FIG. 10;

FIG. 11 is a rear elevational view of the closure in FIGS. 7-10; and,

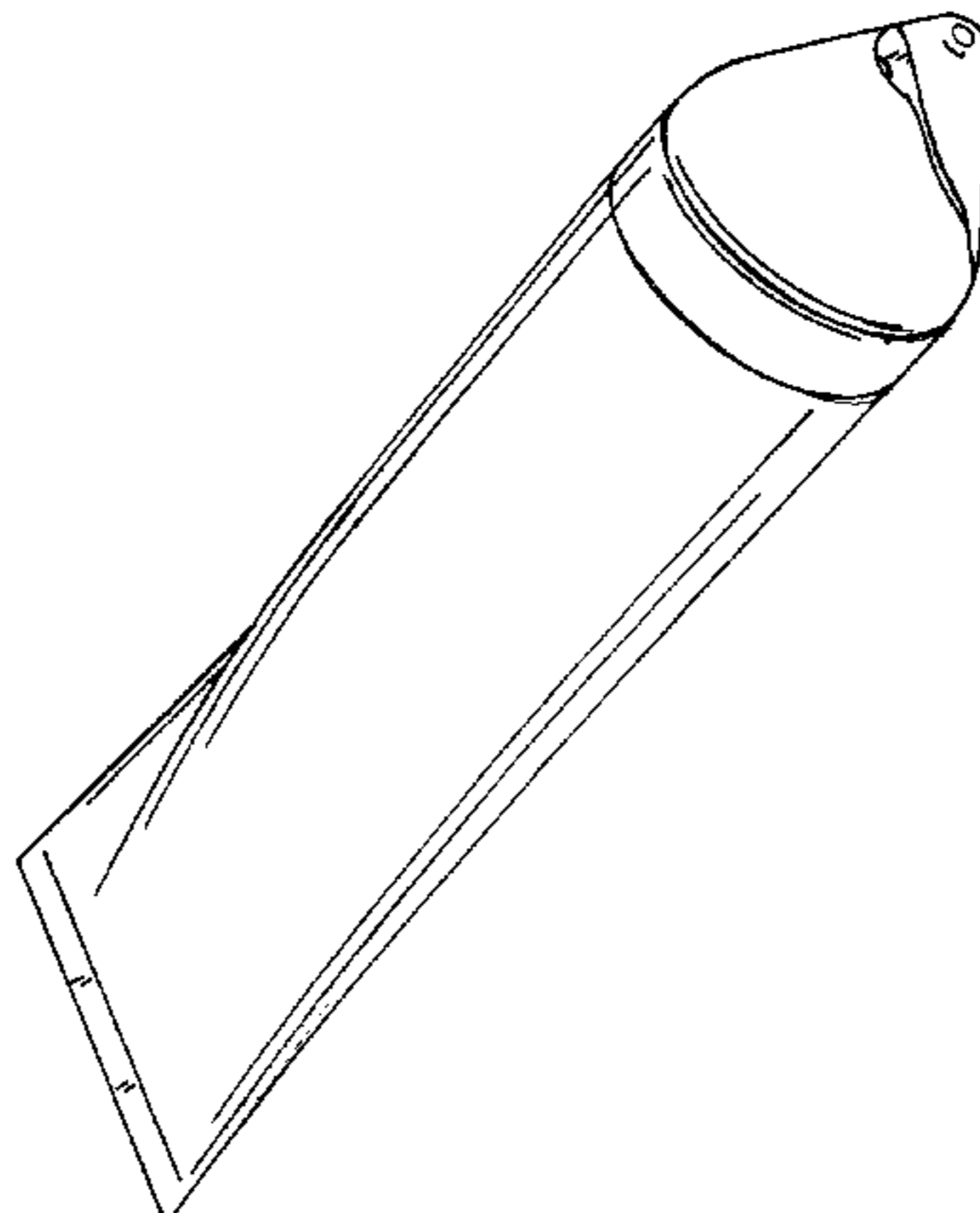
FIG. 12 is a perspective view of the container for the closure and container package shown separately for purposes of illustration.

(56) **References Cited**

U.S. PATENT DOCUMENTS

D105,004 S	*	6/1937	Friden	D9/302
3,347,419 A	*	10/1967	Brandt et al.	222/107
3,369,720 A		2/1968	Libit et al.		
D230,570 S	*	3/1974	Hall	D9/302
D258,051 S		1/1981	Bakus		
D324,998 S		3/1992	Klapwald		
D337,527 S		7/1993	Klapwald		
D338,397 S	*	8/1993	Sun et al.	D9/302
D343,358 S		1/1994	Lay et al.		
D353,332 S		12/1994	Behm et al.		
D355,121 S		2/1995	Kohl		
D355,844 S	*	2/1995	Bishop et al.	D9/300
D358,760 S	*	5/1995	Sherman et al.	D9/302
D363,431 S		10/1995	Mansau		
5,503,309 A		4/1996	Oder et al.		
D369,942 S		5/1996	Ahern, Jr.		
D372,196 S		7/1996	Gerhart et al.		
D375,256 S	*	11/1996	Chadfield	D9/302
D375,899 S		11/1996	Gerhart et al.		
D379,434 S		5/1997	Robbins, III et al.		
D382,802 S		8/1997	Lambrecht		
D385,493 S		10/1997	Zhang		
5,702,033 A	*	12/1997	Beauer	222/94

1 Claim, 4 Drawing Sheets



US D472,138 S

Page 2

U.S. PATENT DOCUMENTS

5,816,451 A	*	10/1998	Renault	222/215	D411,744 S	6/1999	Brach et al.
D401,138 S	*	11/1998	Rosen et al.	D9/302	5,927,535 A	7/1999	Goth
D404,296 S	*	1/1999	Durliat et al.	D9/302	D413,064 S	8/1999	Bansal
D406,533 S		3/1999	Maus			D428,816 S	8/2000	Shiokawa et al.
D406,771 S		3/1999	Weber			D439,165 S	3/2001	Erckelbout et al.
D409,489 S		5/1999	Blades			D462,260 S	* 9/2002	Joubert D9/302

* cited by examiner

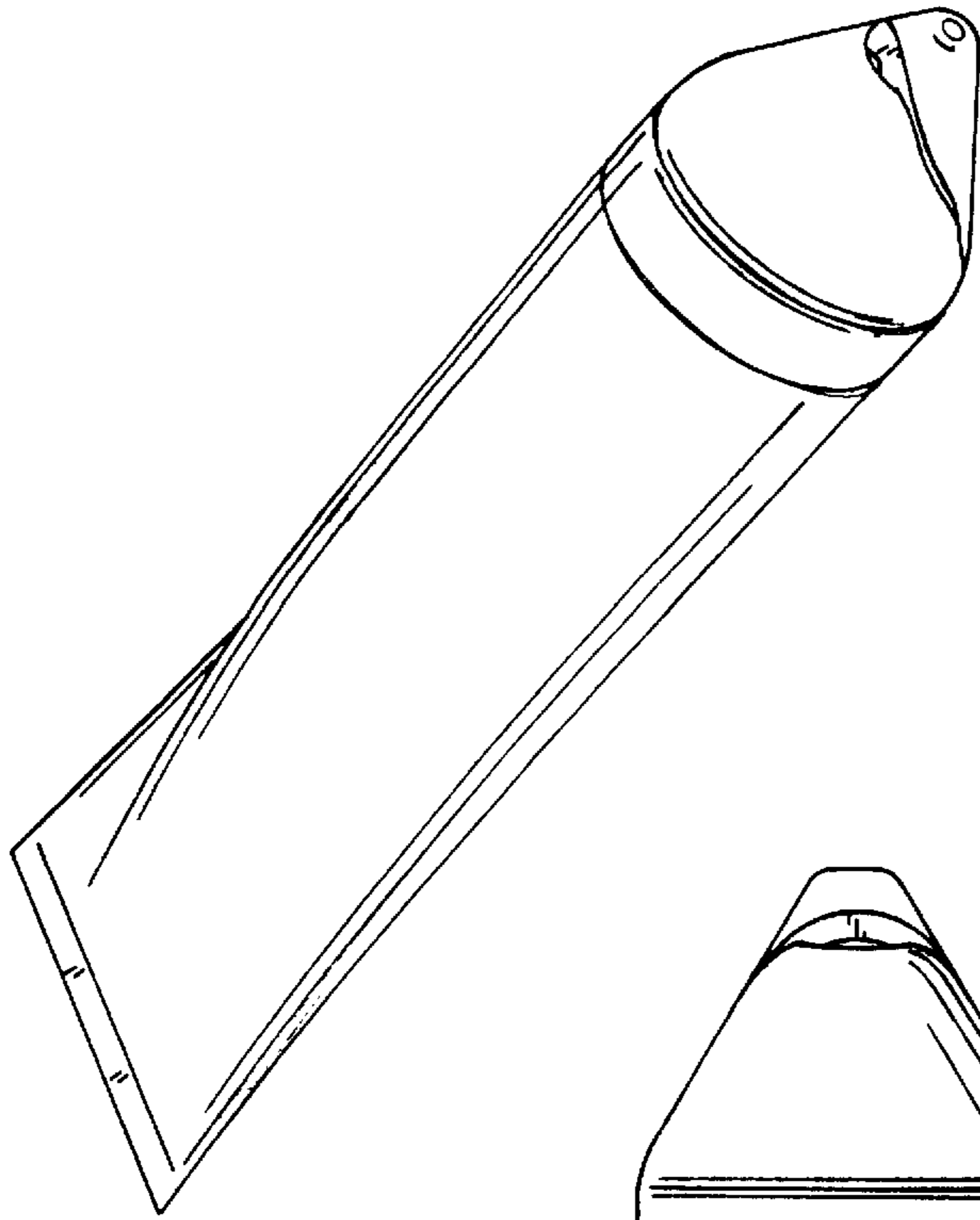


FIG. 1

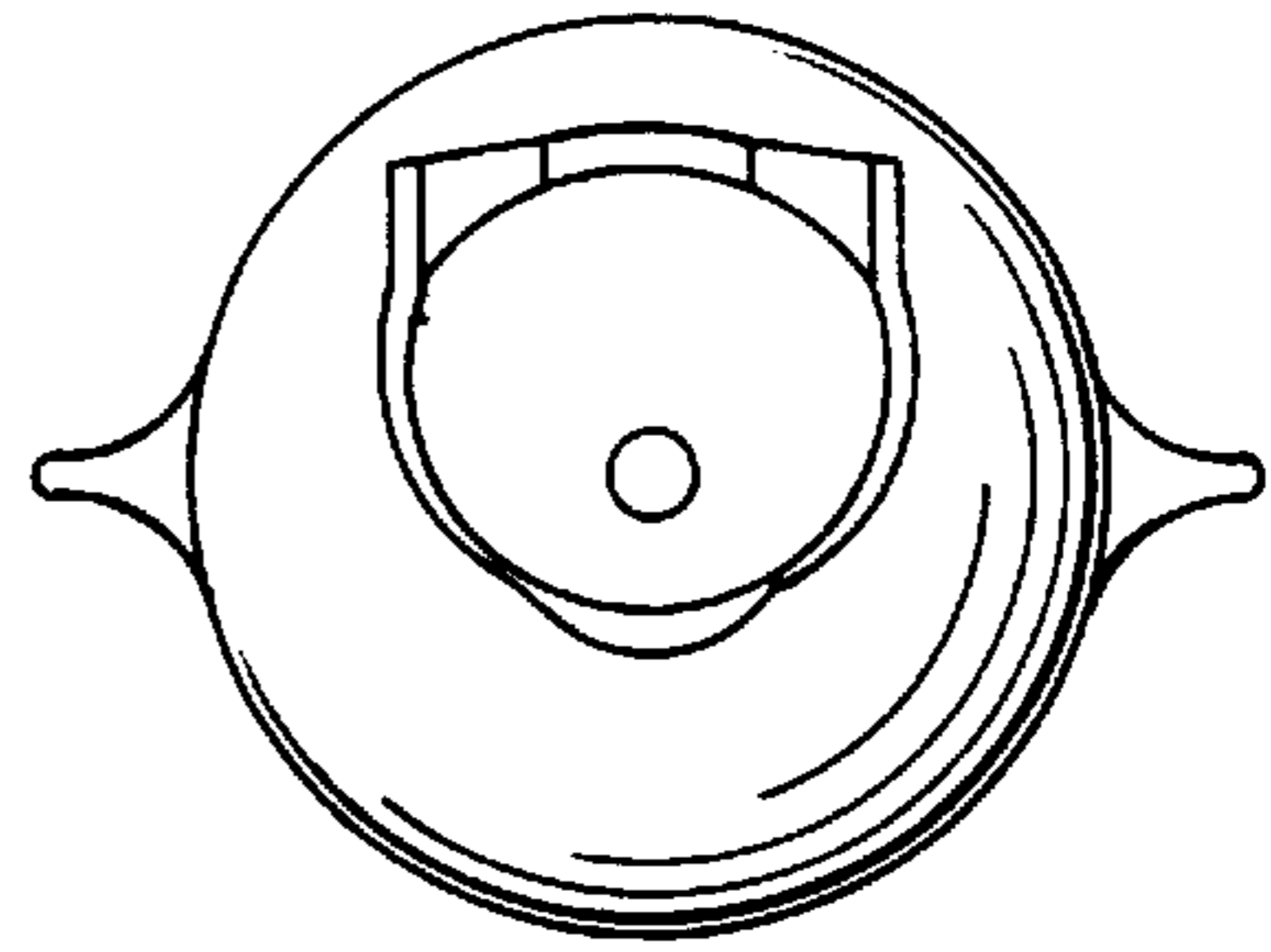


FIG. 3

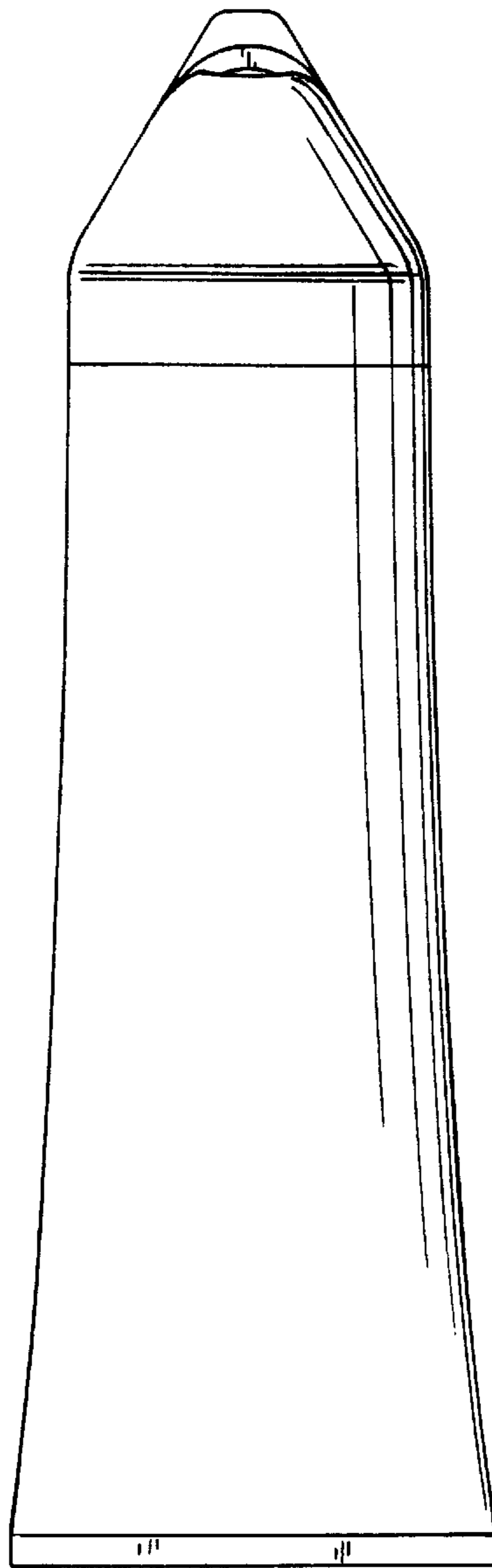


FIG. 2

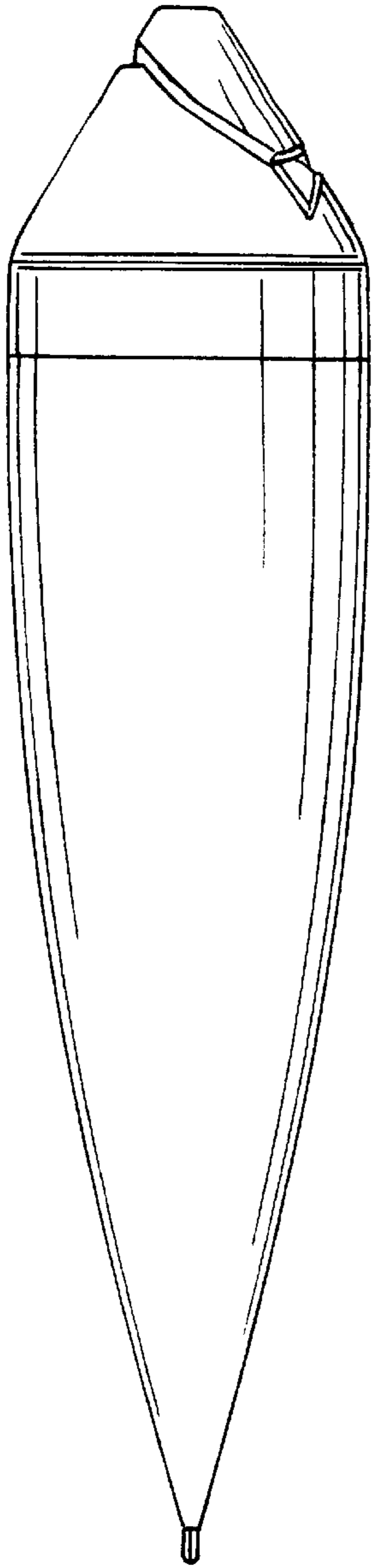


FIG. 4

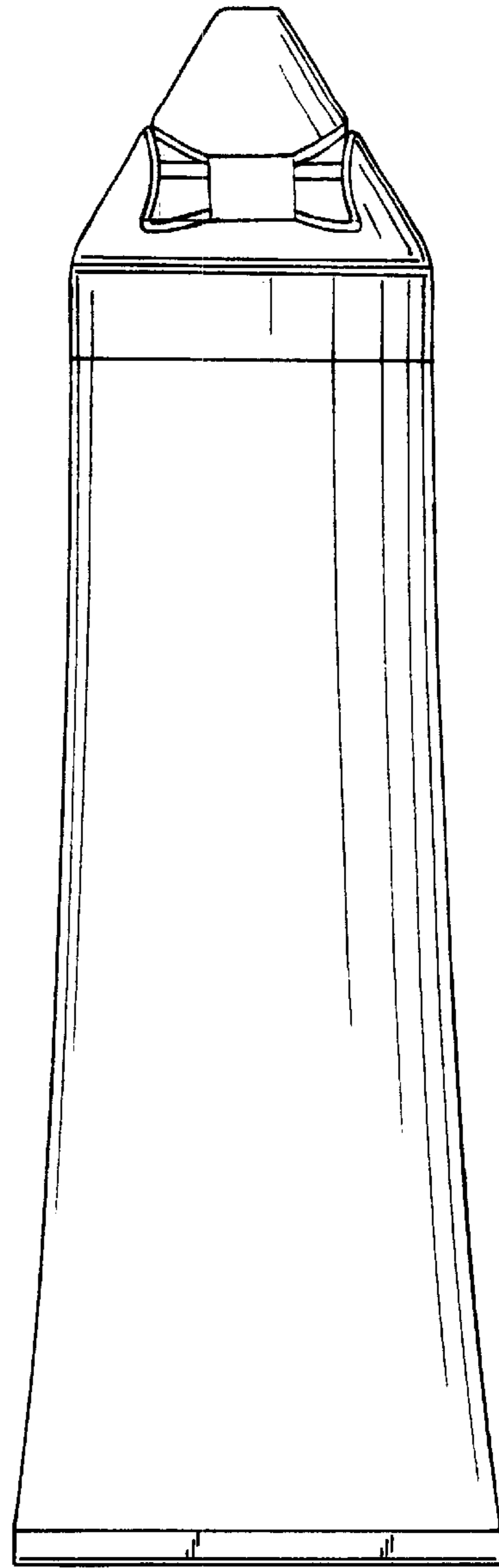


FIG. 5

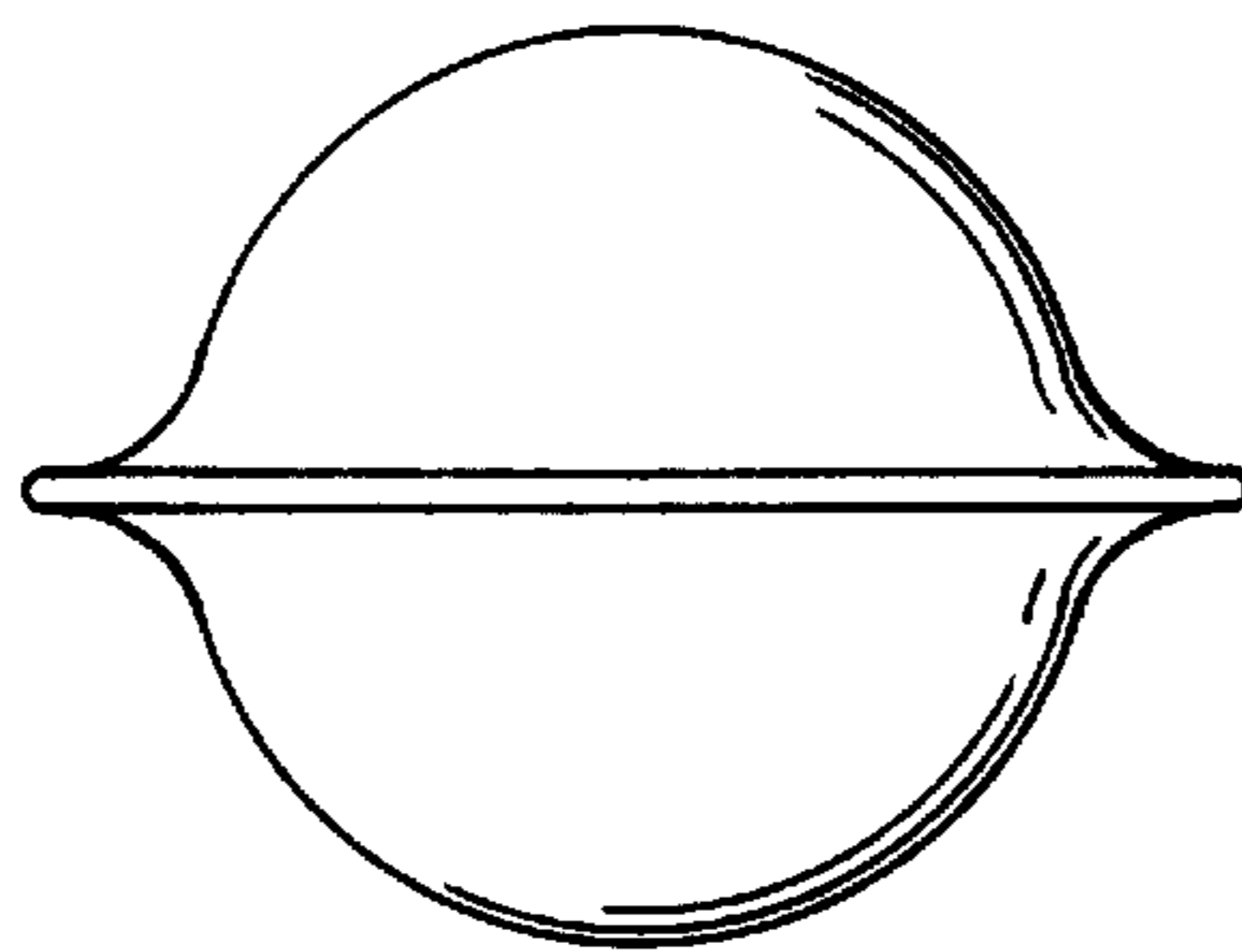


FIG. 6

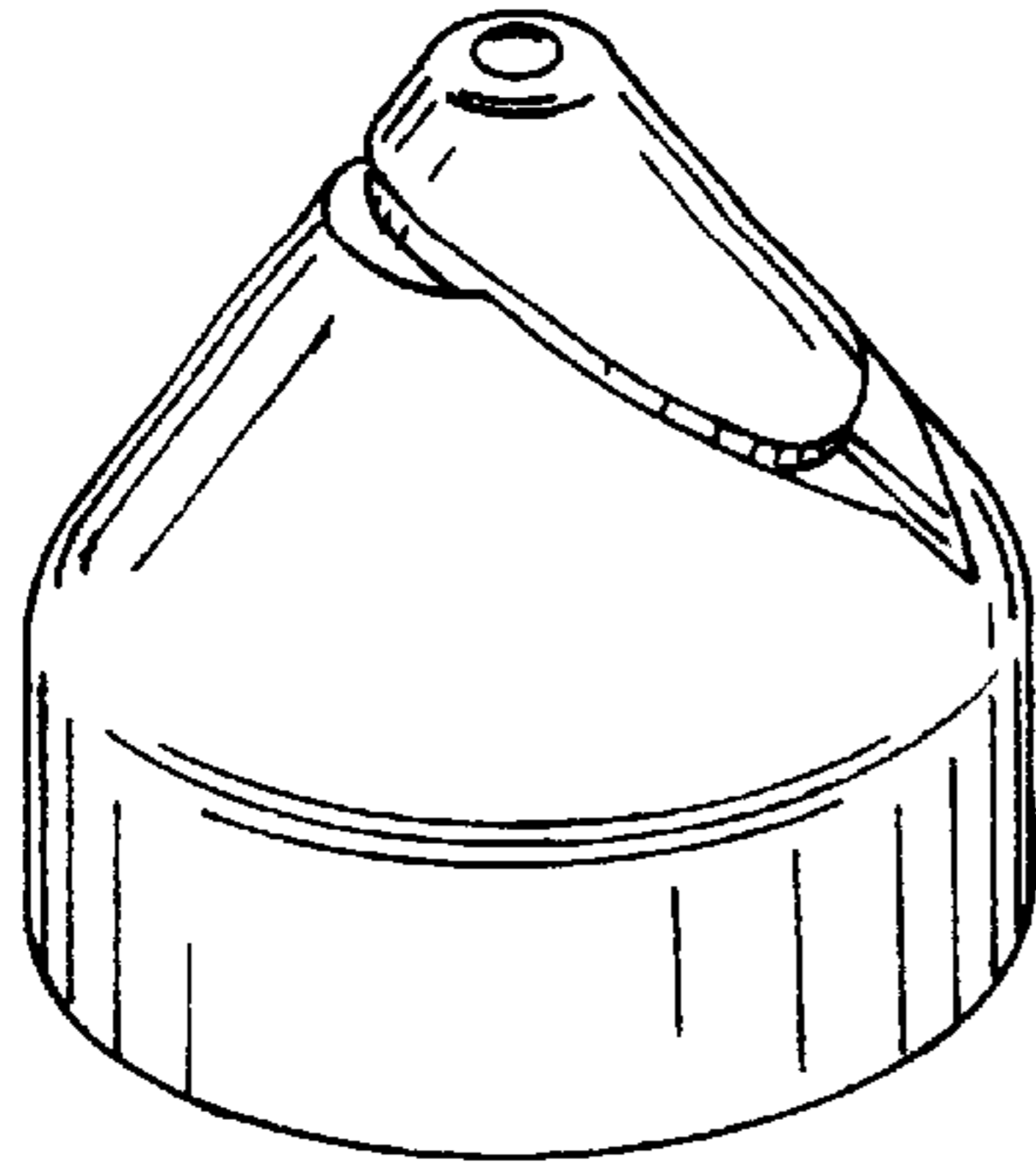


FIG. 7

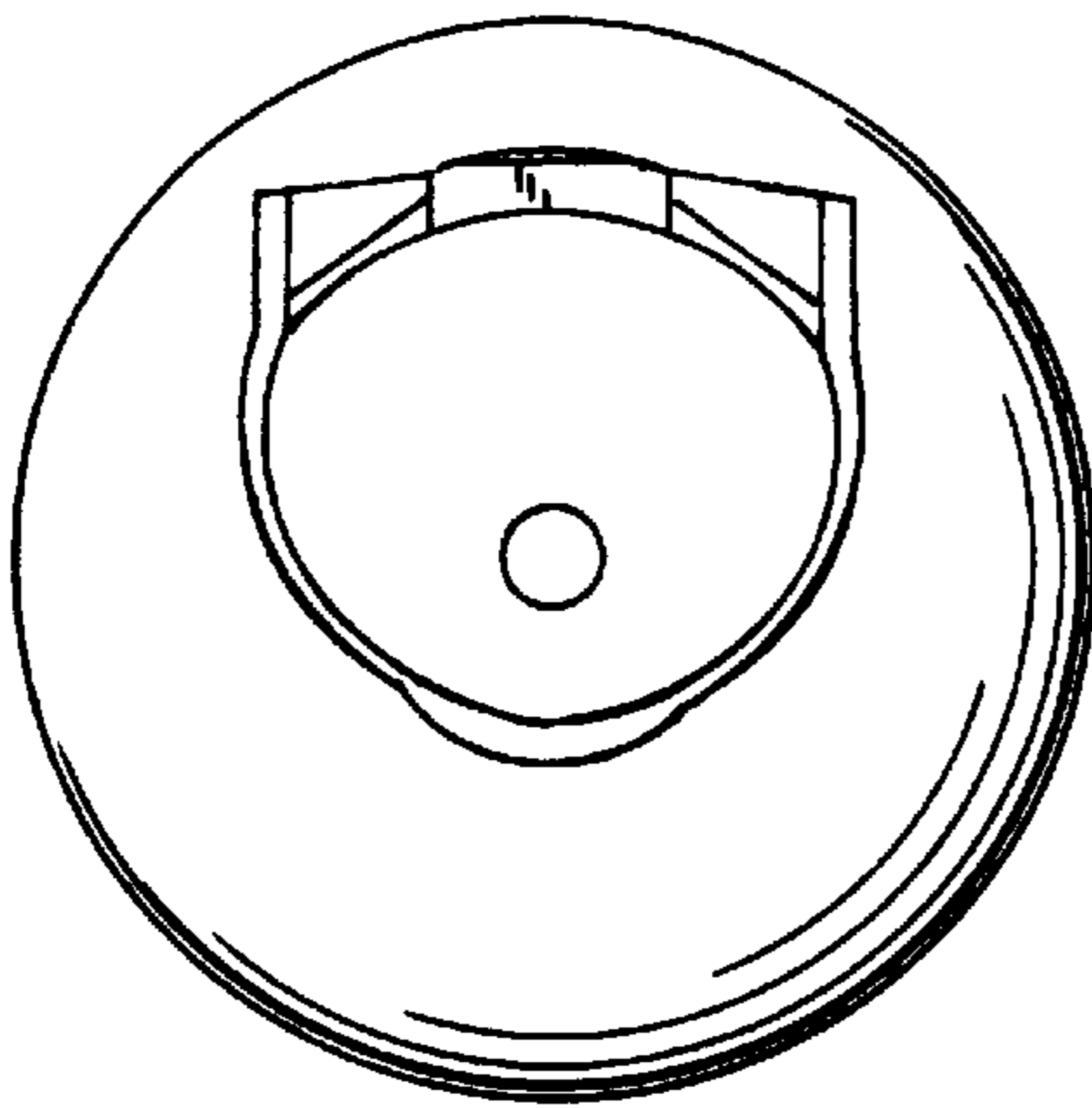


FIG. 9

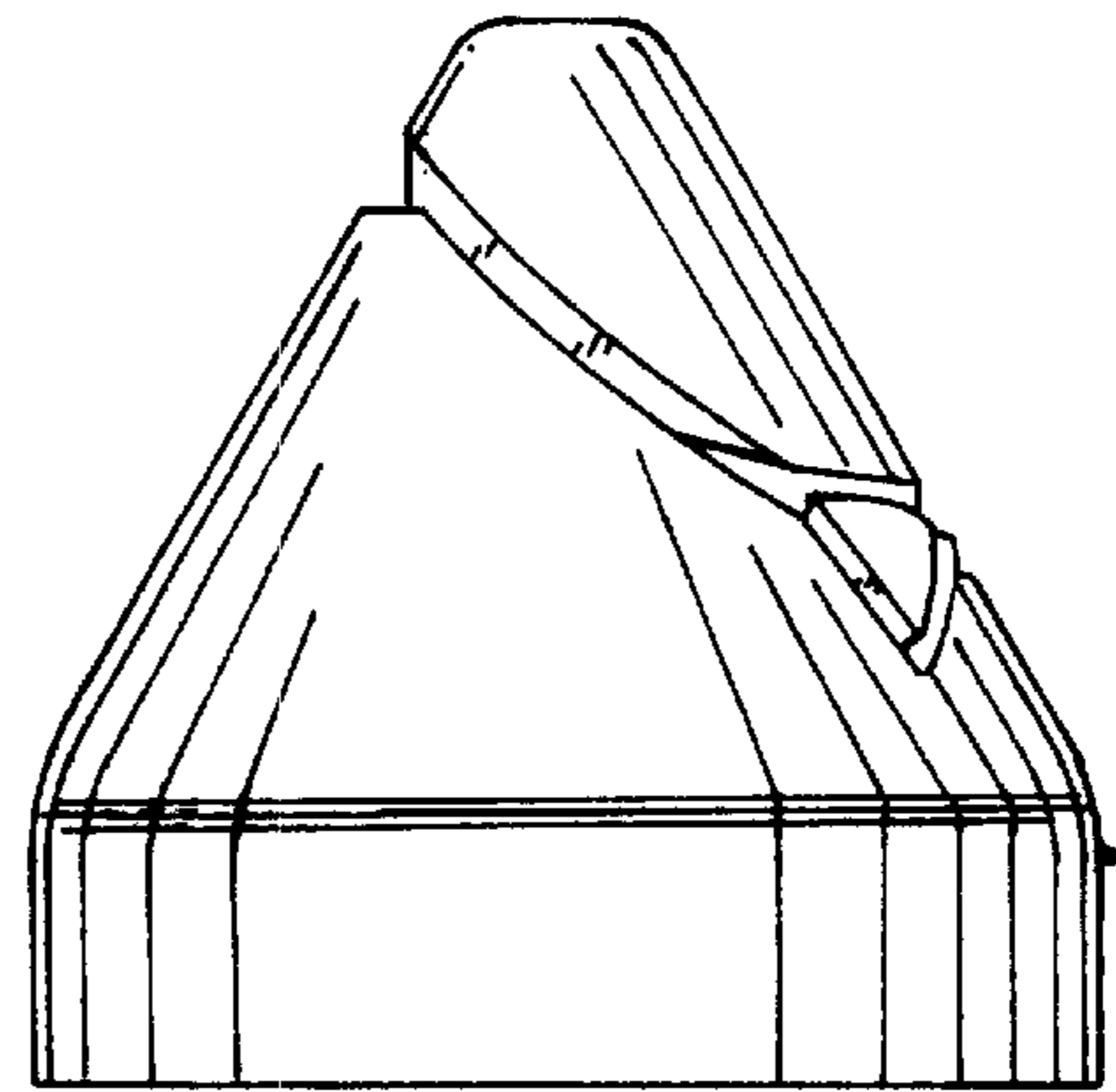


FIG. 10

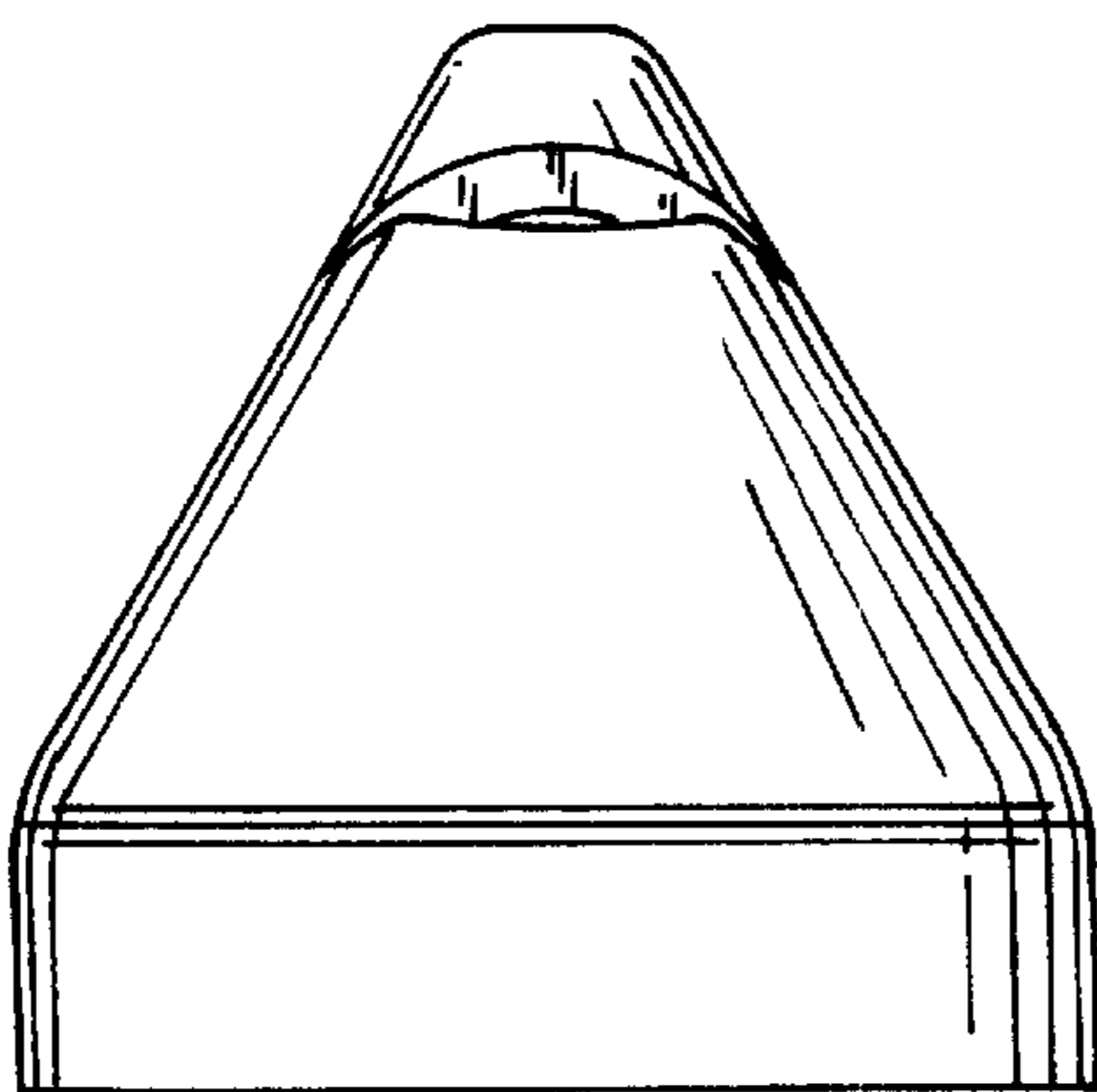


FIG. 8

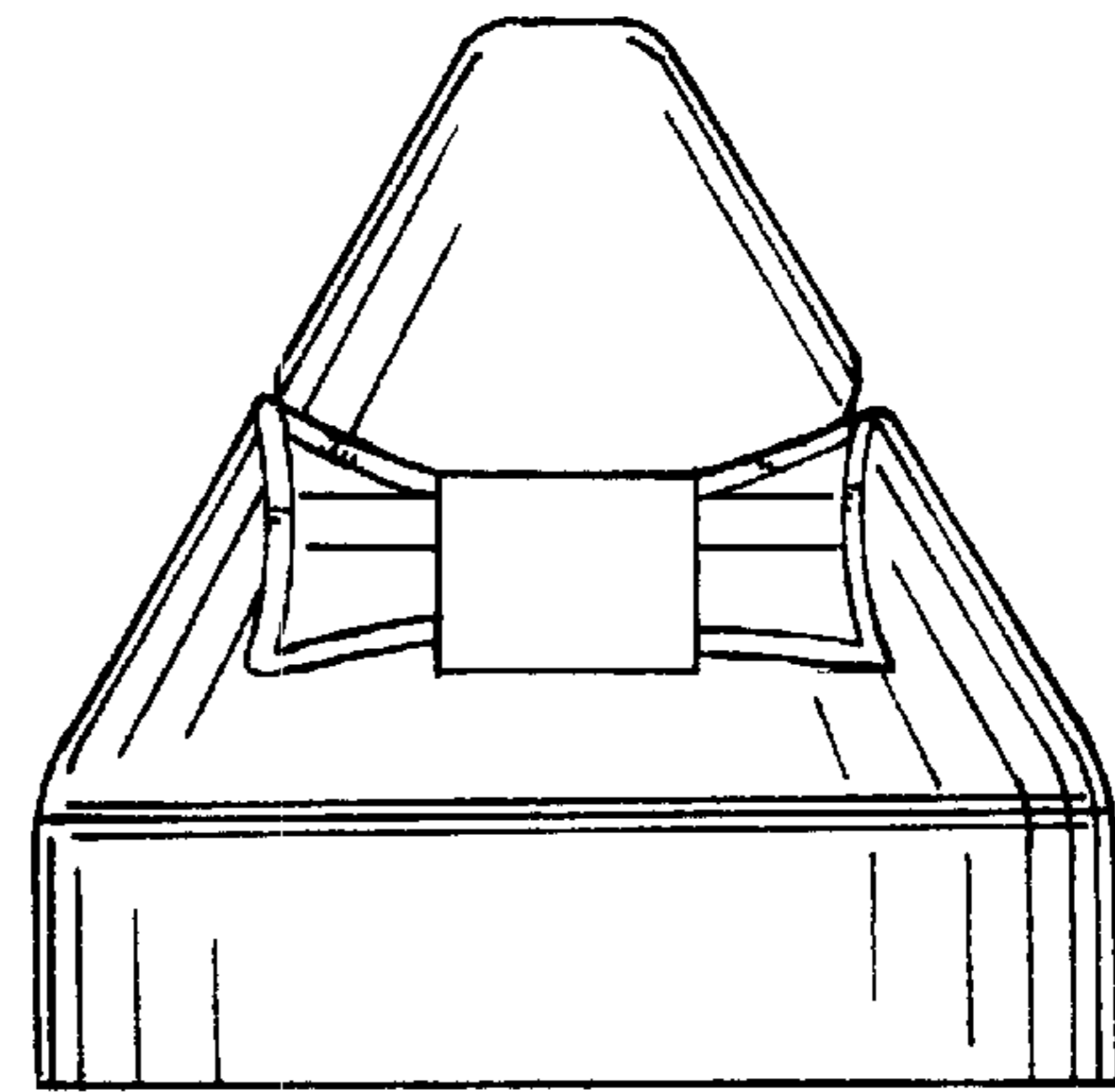


FIG. 11

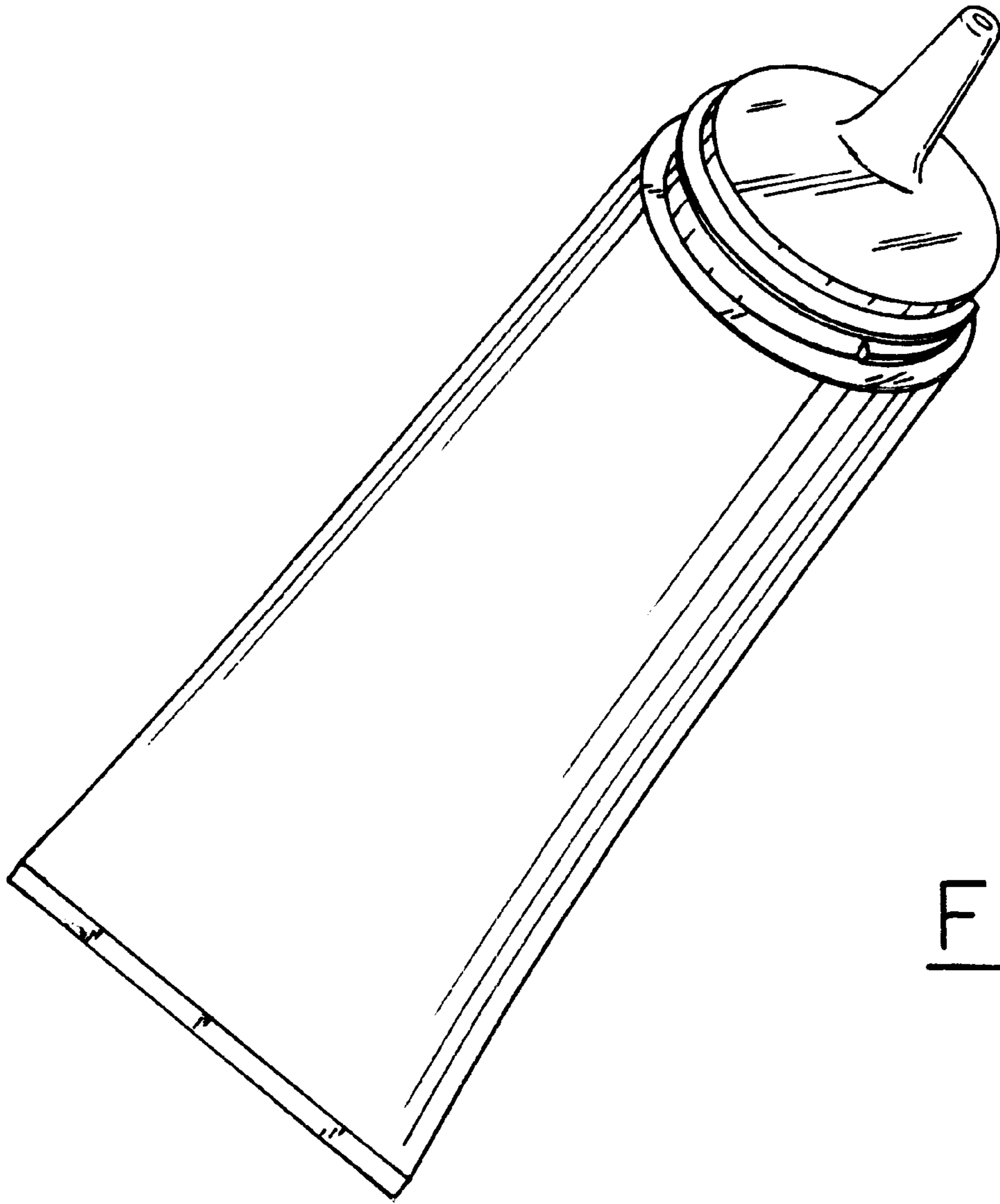


FIG. 12