



US00D472137S

(12) **United States Design Patent**
Brozell et al.

(10) **Patent No.:** **US D472,137 S**

(45) **Date of Patent:** **** Mar. 25, 2003**

(54) **CLOSURE AND CONTAINER PACKAGE**

(75) Inventors: **Leonora M. Brozell**, Maumee, OH
(US); **Jeffrey J. Baltzell**, Fremont, OH
(US)

(73) Assignee: **Owens-Illinois Closure Inc.**, Toledo,
OH (US)

(**) Term: **14 Years**

(21) Appl. No.: **29/151,456**

(22) Filed: **Nov. 8, 2001**

(51) **LOC (7) Cl.** **09-01**

(52) **U.S. Cl.** **D9/302**

(58) **Field of Search** D9/300, 302, 306,
D9/521, 539, 448, 449; 222/94, 145.3,
536, 507, 212, 490; D28/7

(56) **References Cited**

U.S. PATENT DOCUMENTS

3,369,720 A	2/1968	Libit et al.	
D258,051 S	1/1981	Bakus	
D324,998 S	3/1992	Klapwald	
D337,527 S	7/1993	Klapwald	
D343,358 S	1/1994	Lay et al.	
D350,482 S	* 9/1994	Hu et al.	D9/448
D353,332 S	12/1994	Behm et al.	
D355,121 S	2/1995	Kohl	
D363,431 S	10/1995	Mansau	
5,503,309 A	4/1996	Oder et al.	
D369,942 S	5/1996	Ahern, Jr.	
D372,196 S	7/1996	Gerhart et al.	
D375,899 S	11/1996	Gerhart et al.	
D379,434 S	5/1997	Robbins, III et al.	
D382,802 S	8/1997	Lambrecht	
D385,493 S	10/1997	Zhang	
D392,561 S	3/1998	Markey et al.	
D401,138 S	* 11/1998	Rosen et al.	D9/302
D406,533 S	3/1999	Maus	
D406,771 S	3/1999	Weber	
D409,489 S	5/1999	Blades	
D411,744 S	6/1999	Brach et al.	
5,927,535 A	7/1999	Goth	
D413,064 S	8/1999	Bansal	
D428,816 S	8/2000	Shiokawa et al.	

D439,165 S	3/2001	Erckelbout et al.	
D459,212 S	* 6/2002	Gobe	D9/302
D463,805 S	* 9/2002	Brozell	D9/449

* cited by examiner

Primary Examiner—Paula A. Mortimer

(57) **CLAIM**

We claim the ornamental design for a closure and container package, as shown and described.

DESCRIPTION

FIG. 1 is a front perspective view of a closure and container package in accordance with one aspect of the present invention;

FIG. 2 is a front elevational view of the closure and container package in FIG. 1;

FIG. 3 is a top plan view of the closure and container package of FIGS. 1 and 2;

FIG. 4 is a side elevational view of the closure and container package of FIGS. 1-3, the opposing side elevational view being a mirror image of FIG. 4;

FIG. 5 is a rear elevational view of the closure and container package of FIGS. 1-4;

FIG. 6 is a bottom plan view of the closure and container package of FIGS. 1-5.

FIG. 7 is a side perspective view of a closure for the closure and container package shown separately for purposes of illustration;

FIG. 8 is a front elevational view of the closure of FIG. 7;

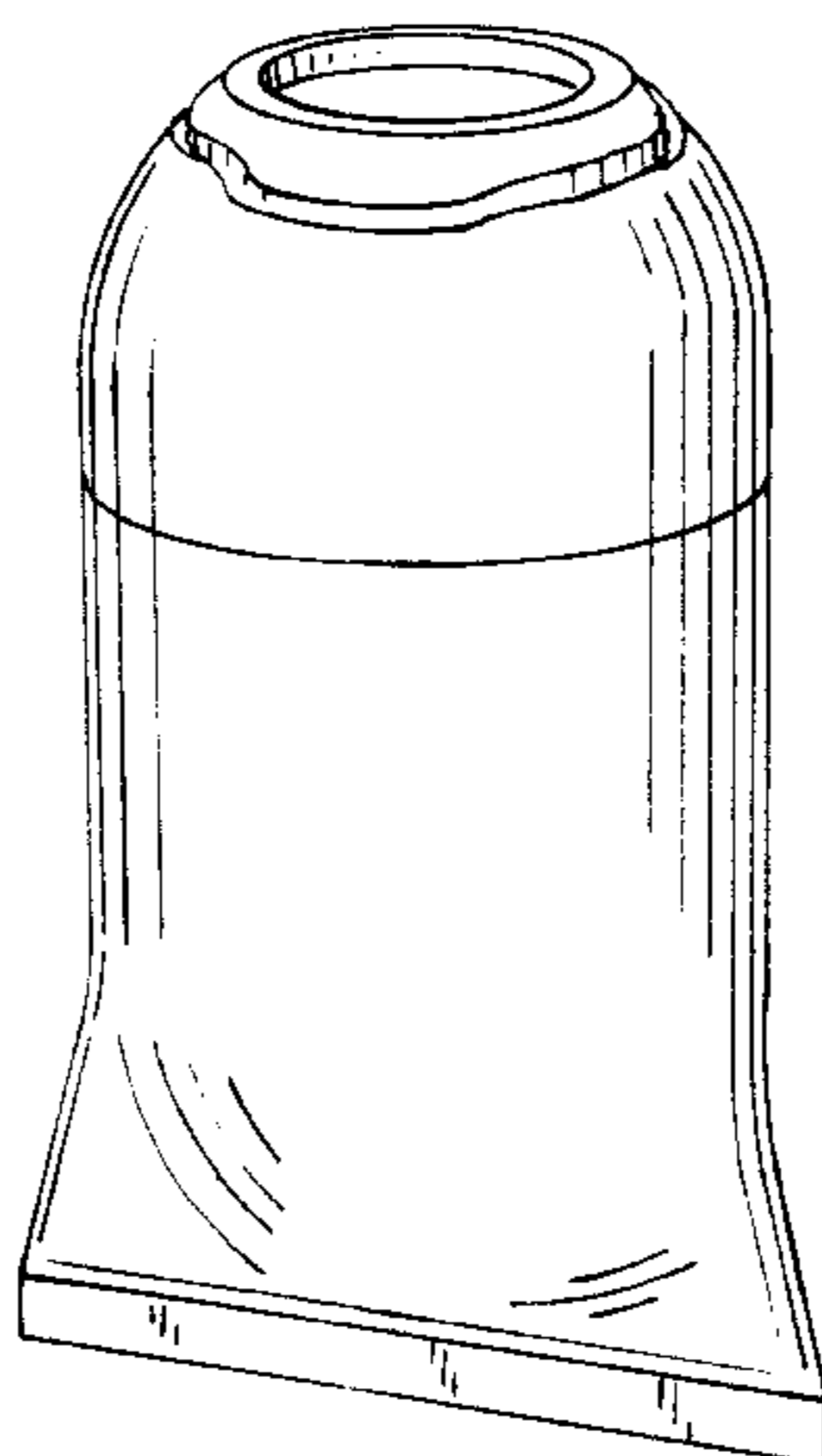
FIG. 9 is a side elevational view of the closure in FIGS. 7-8, the opposing side elevational view being a mirror image of FIG. 9;

FIG. 10 is a top plan view of the closure in FIGS. 7-9, the bottom of the closure being without ornamentation and forming no part of the claimed design;

FIG. 11 is a rear elevational view of the closure in FIGS. 7-10; and,

FIG. 12 is a perspective view of the container for the closure and container package shown separately for purposes of illustration.

1 Claim, 3 Drawing Sheets



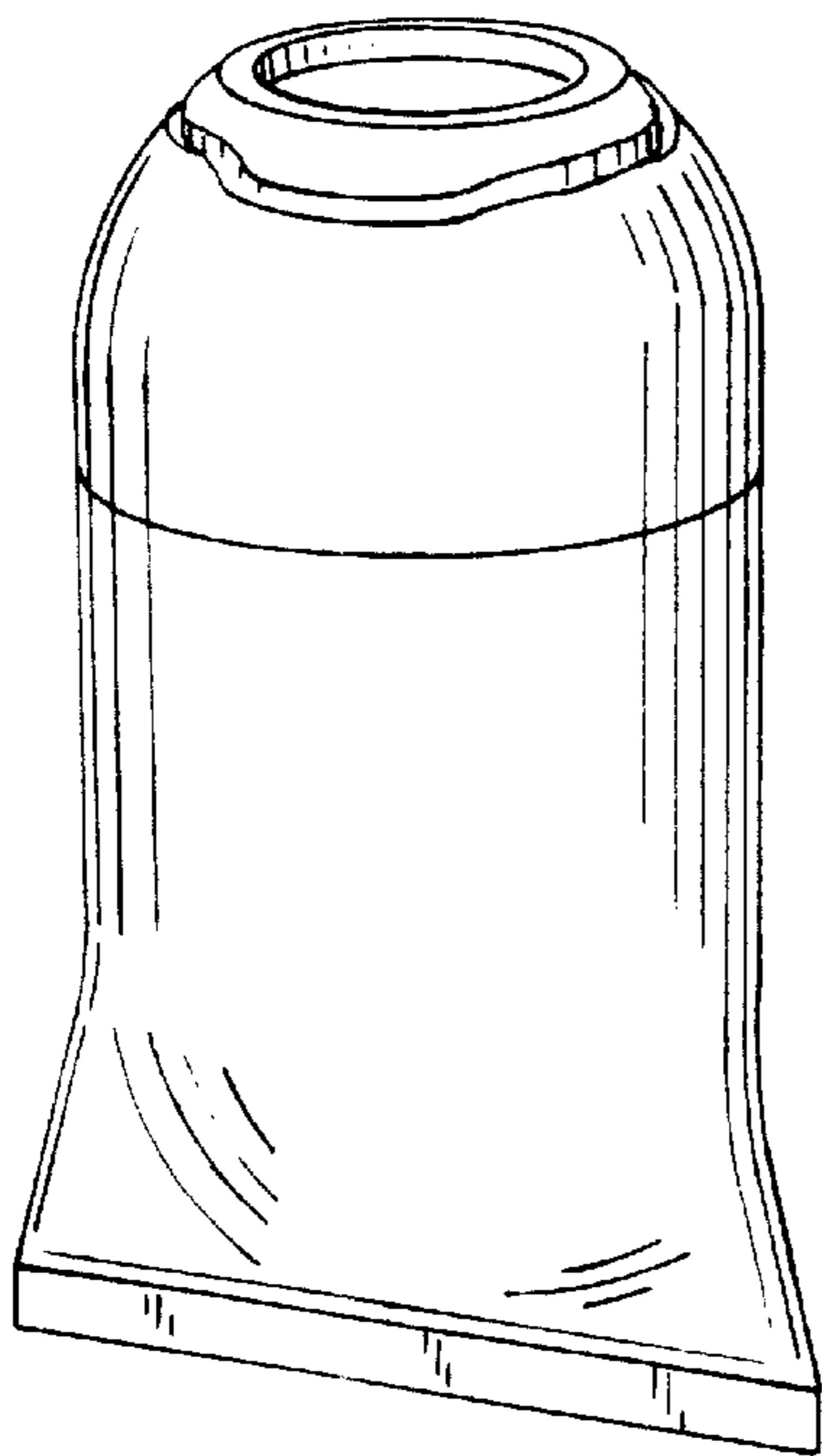


FIG. 1

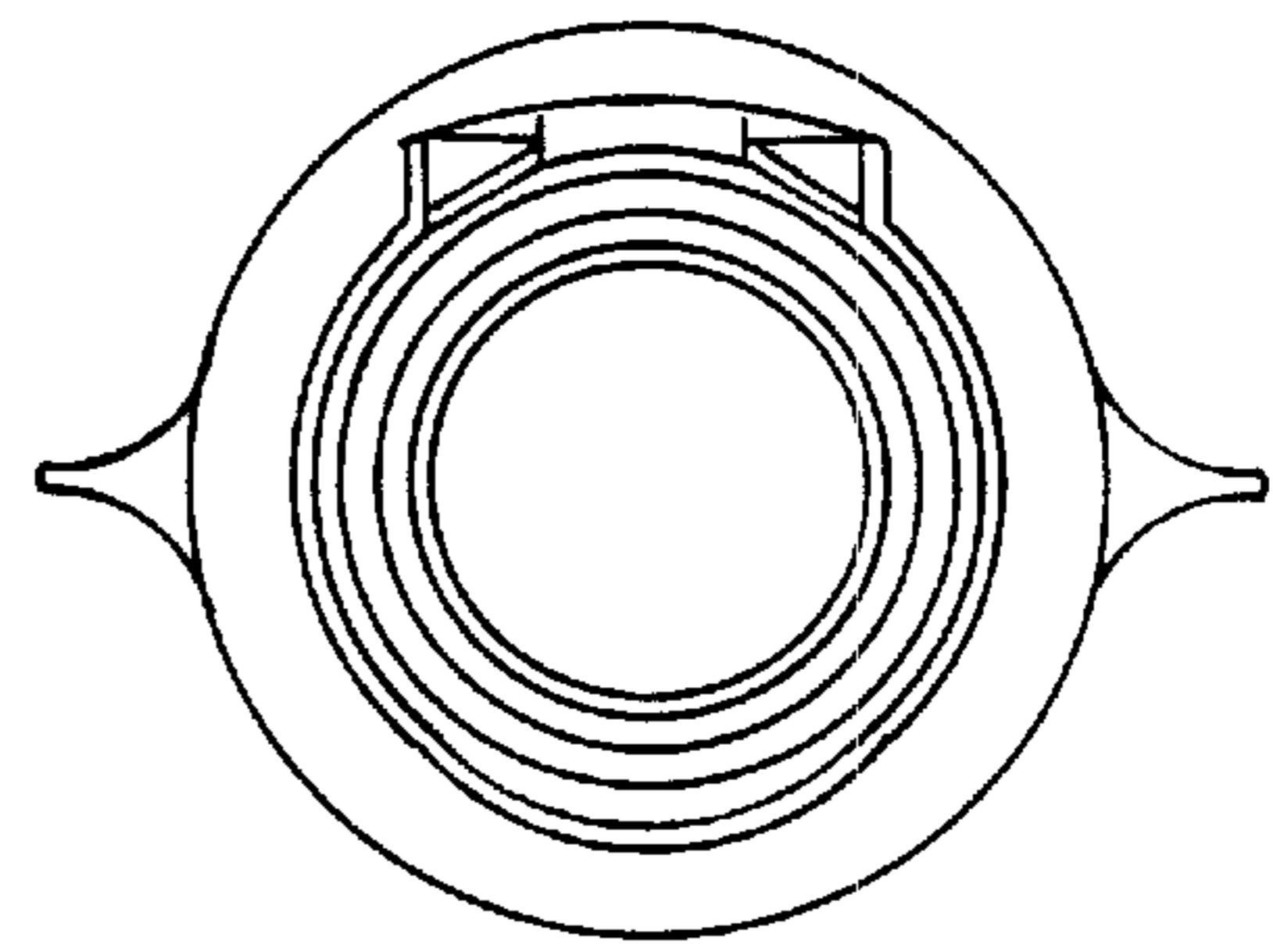


FIG. 3

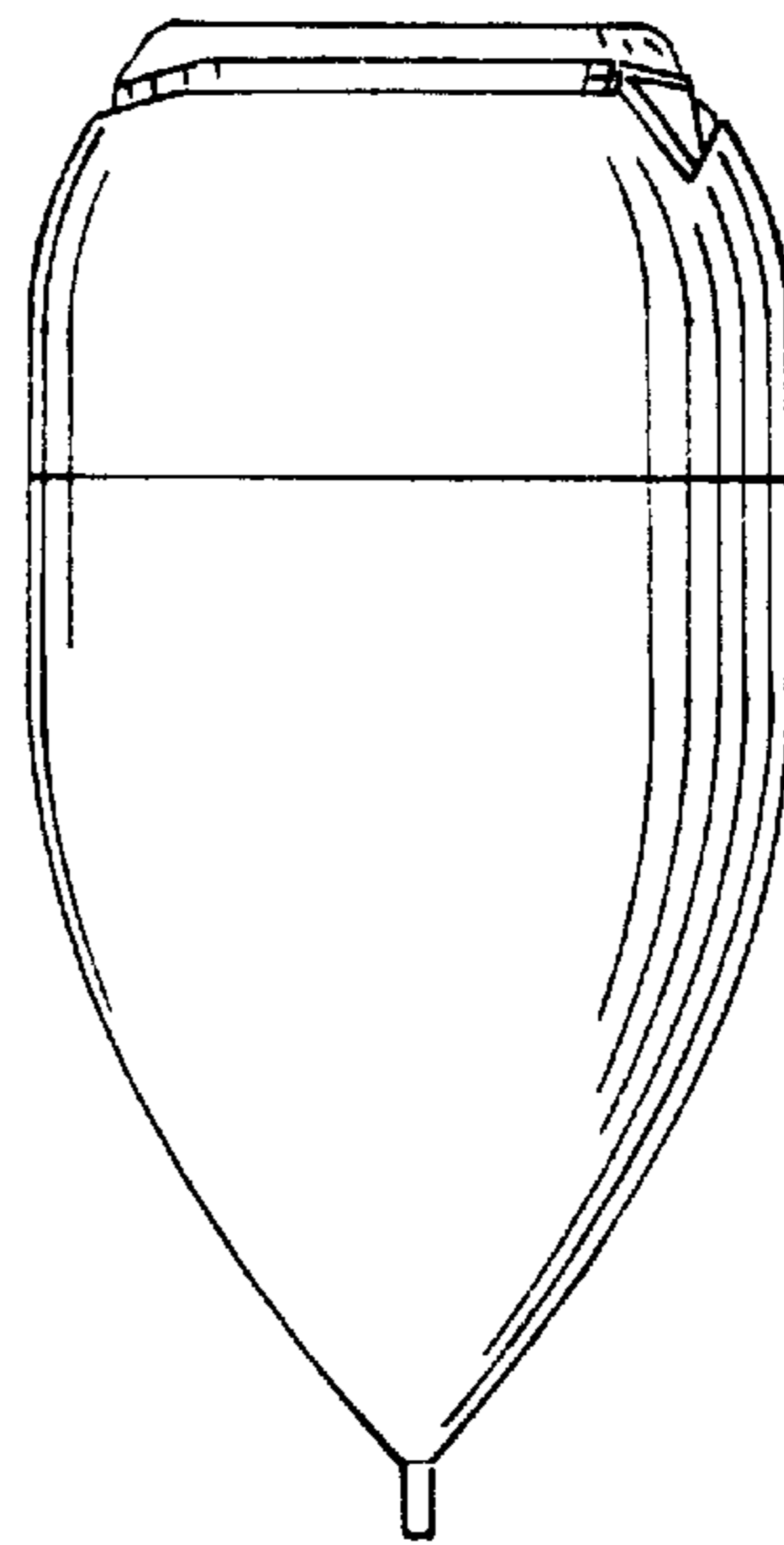


FIG. 4

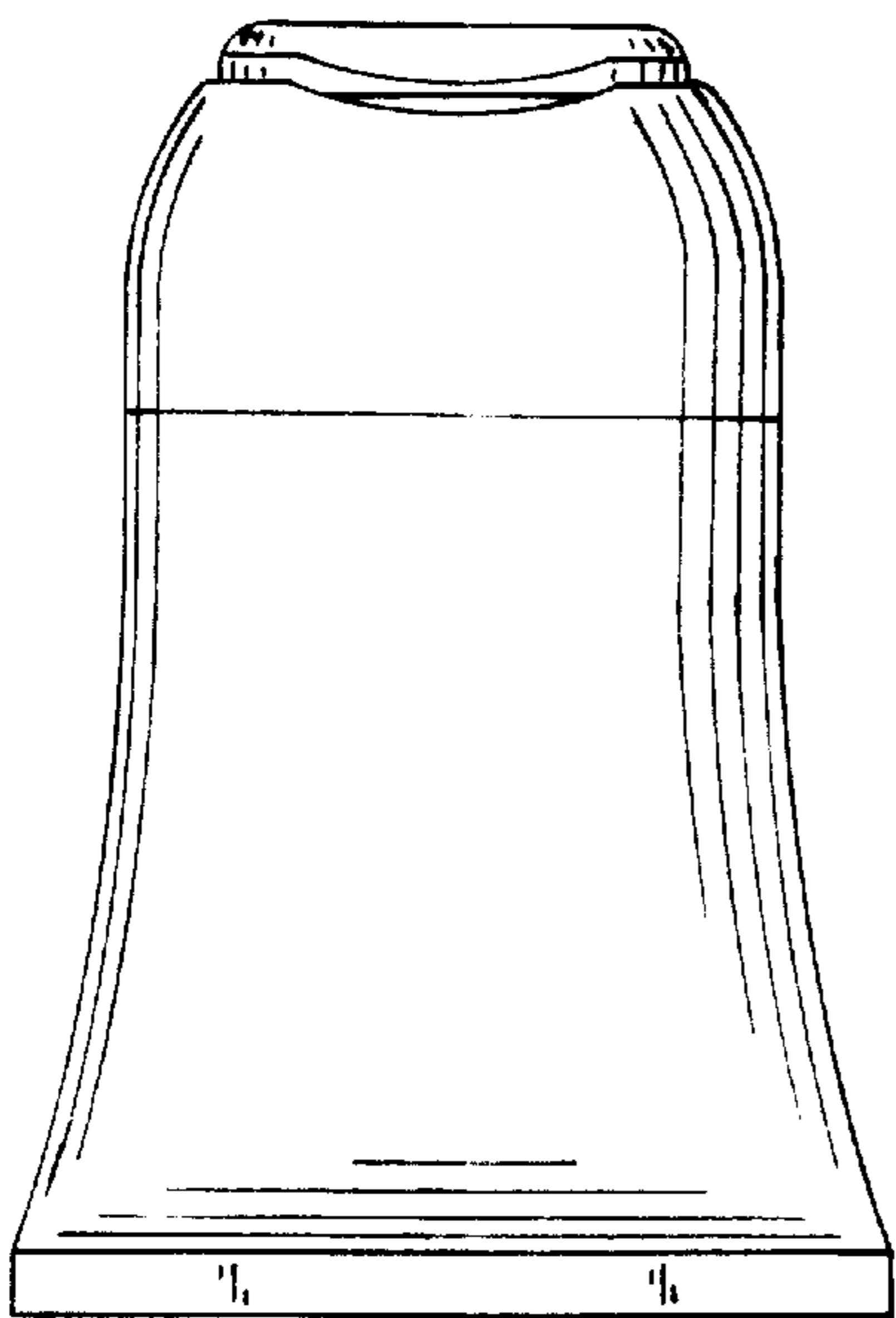


FIG. 2

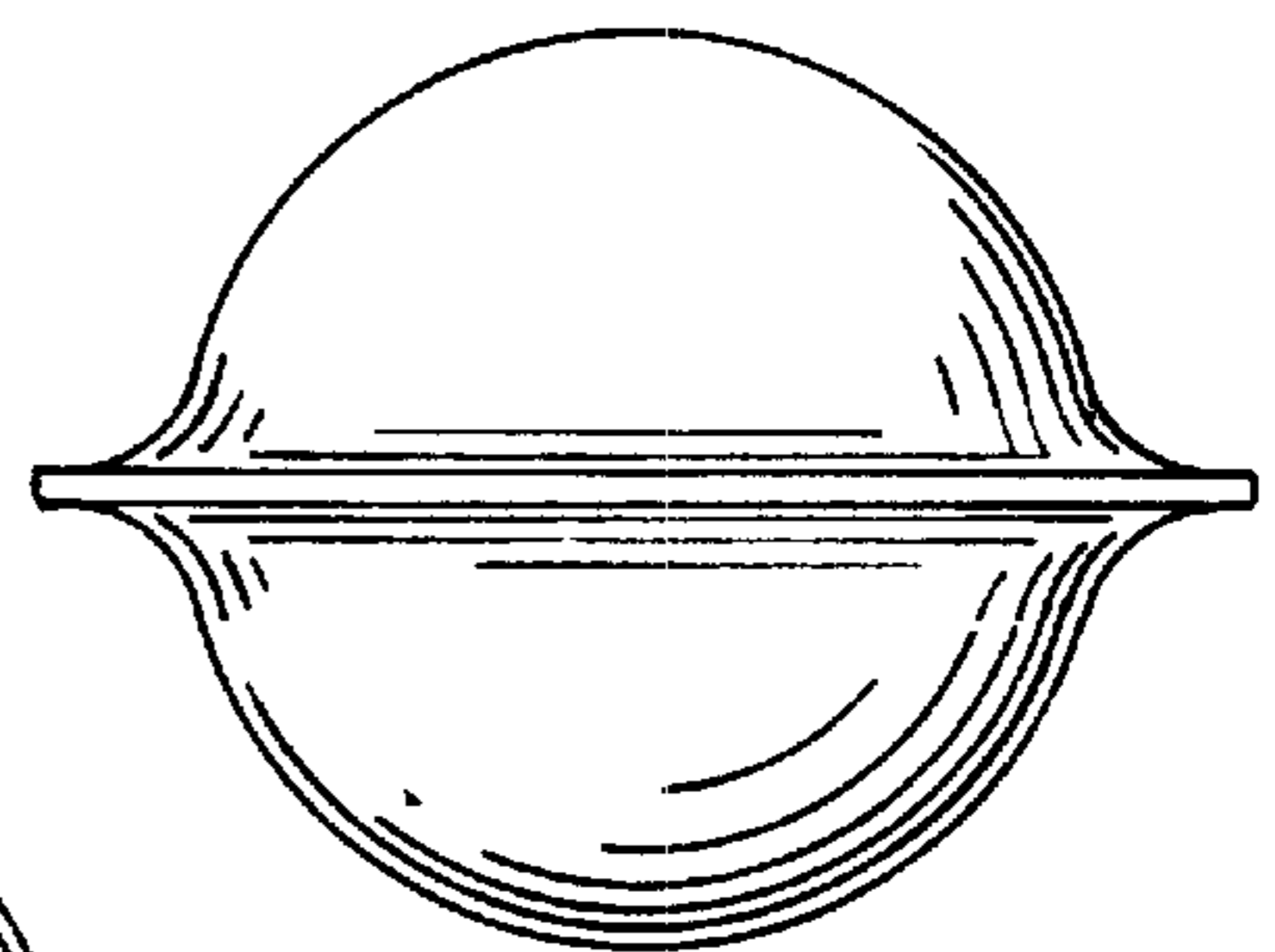


FIG. 6

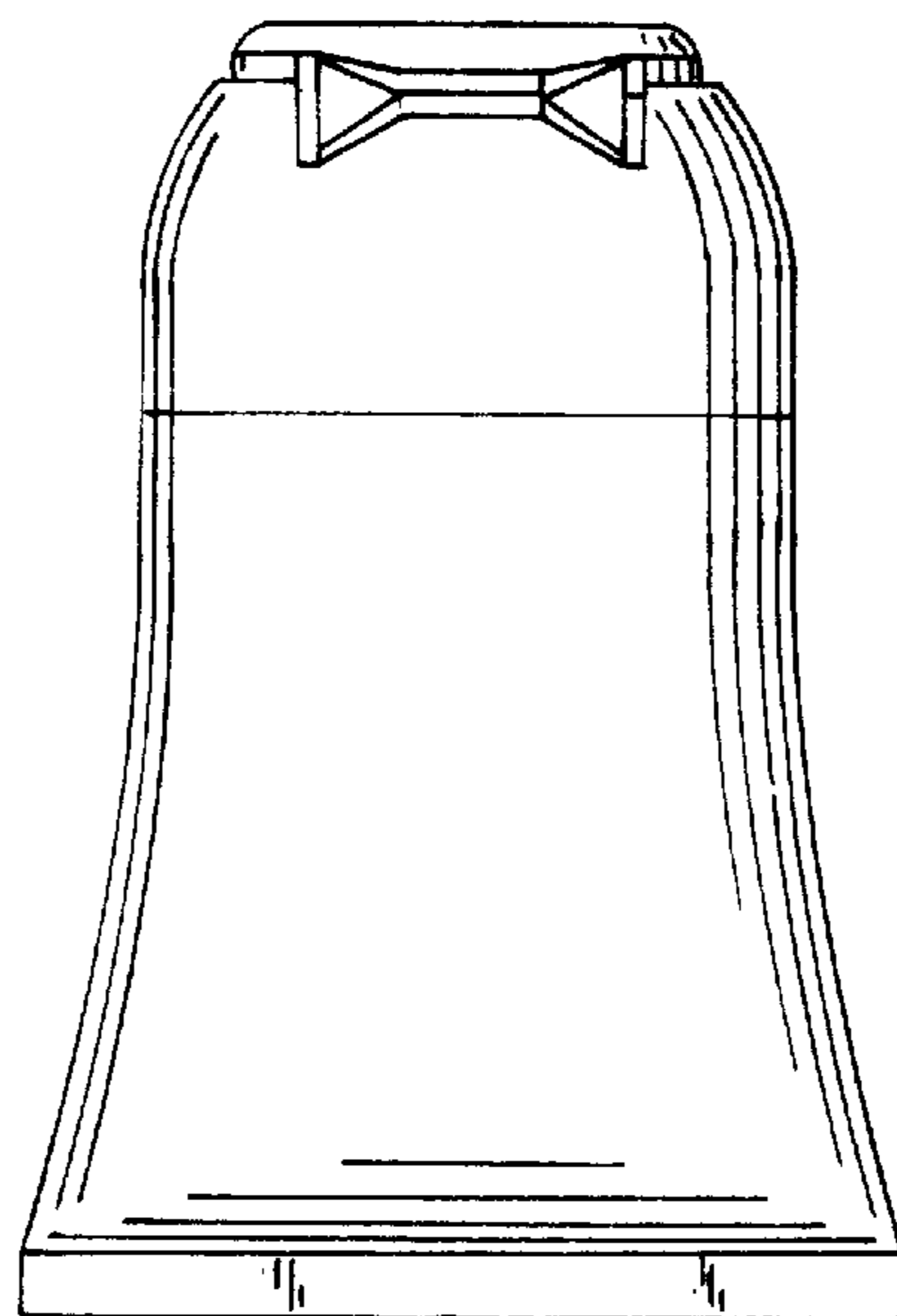


FIG. 5

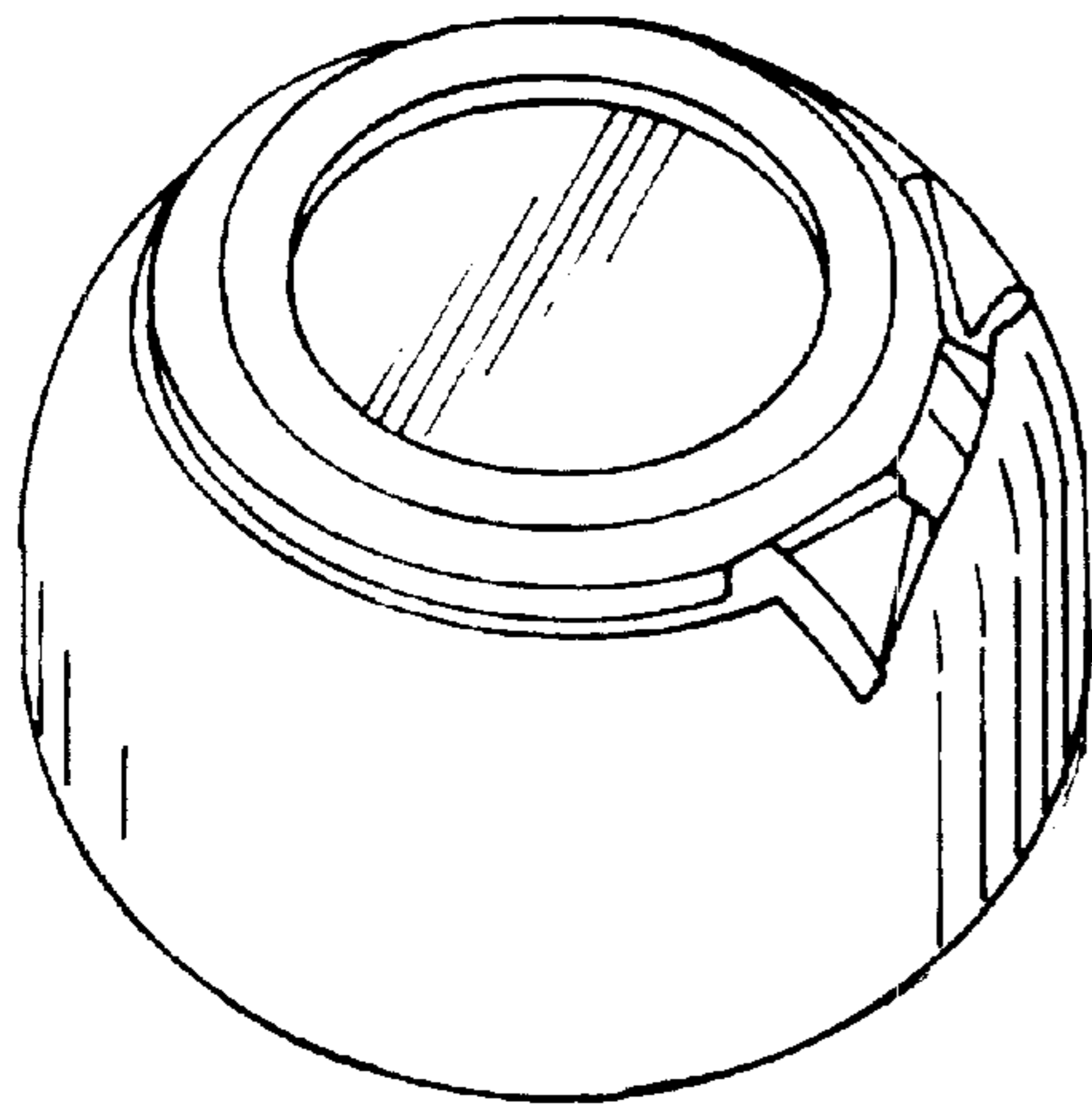


FIG. 7

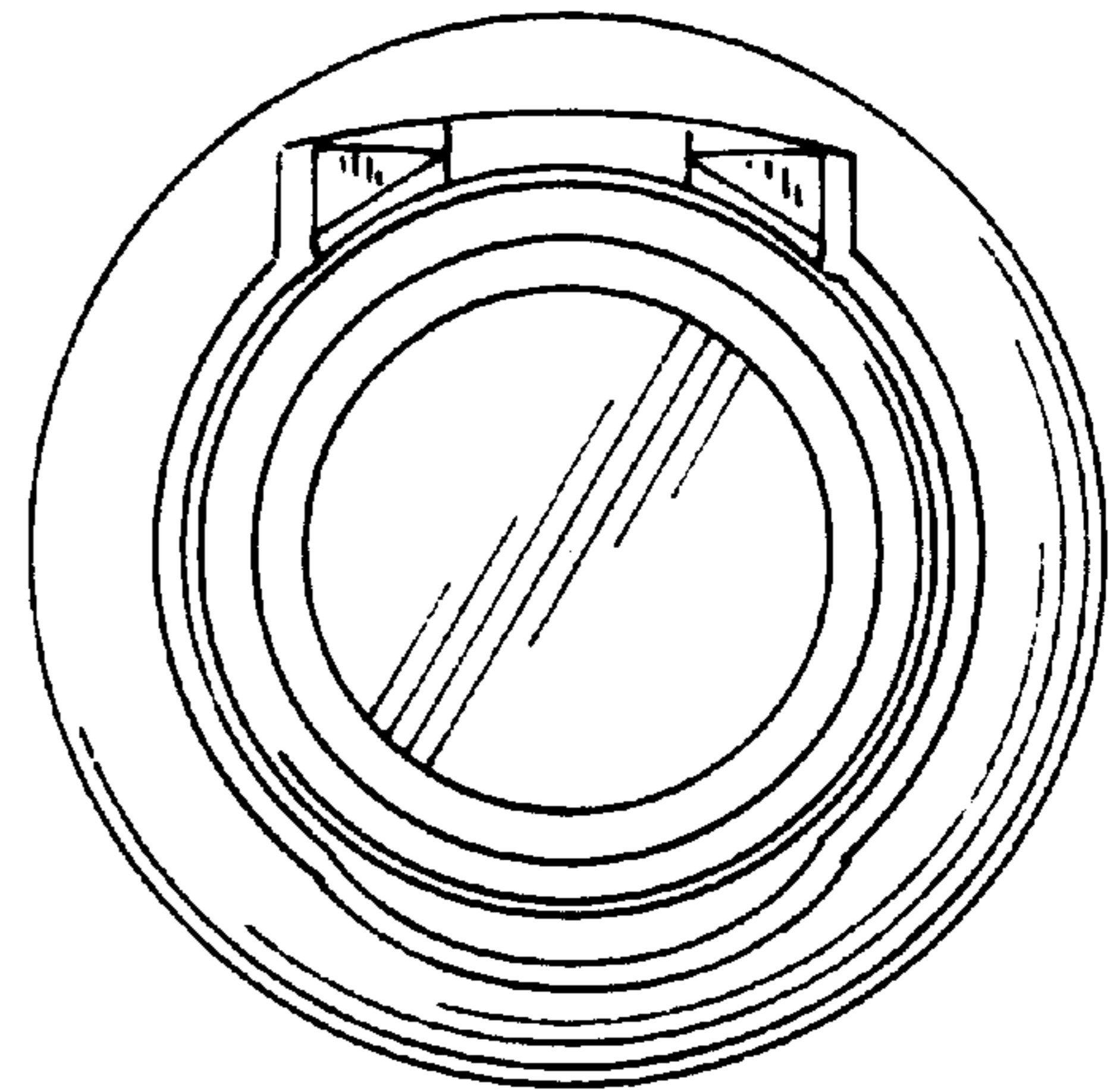


FIG. 10

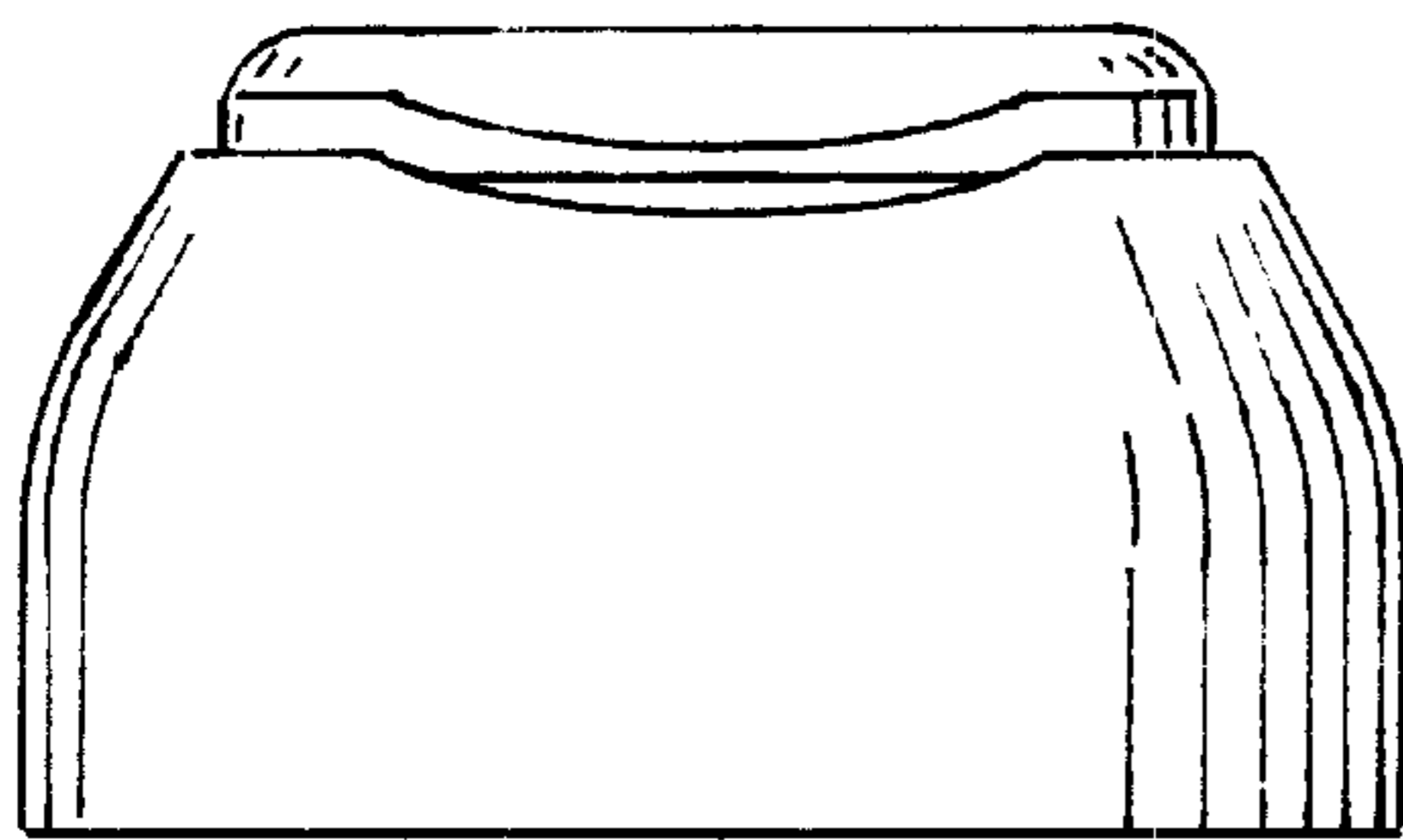


FIG. 8

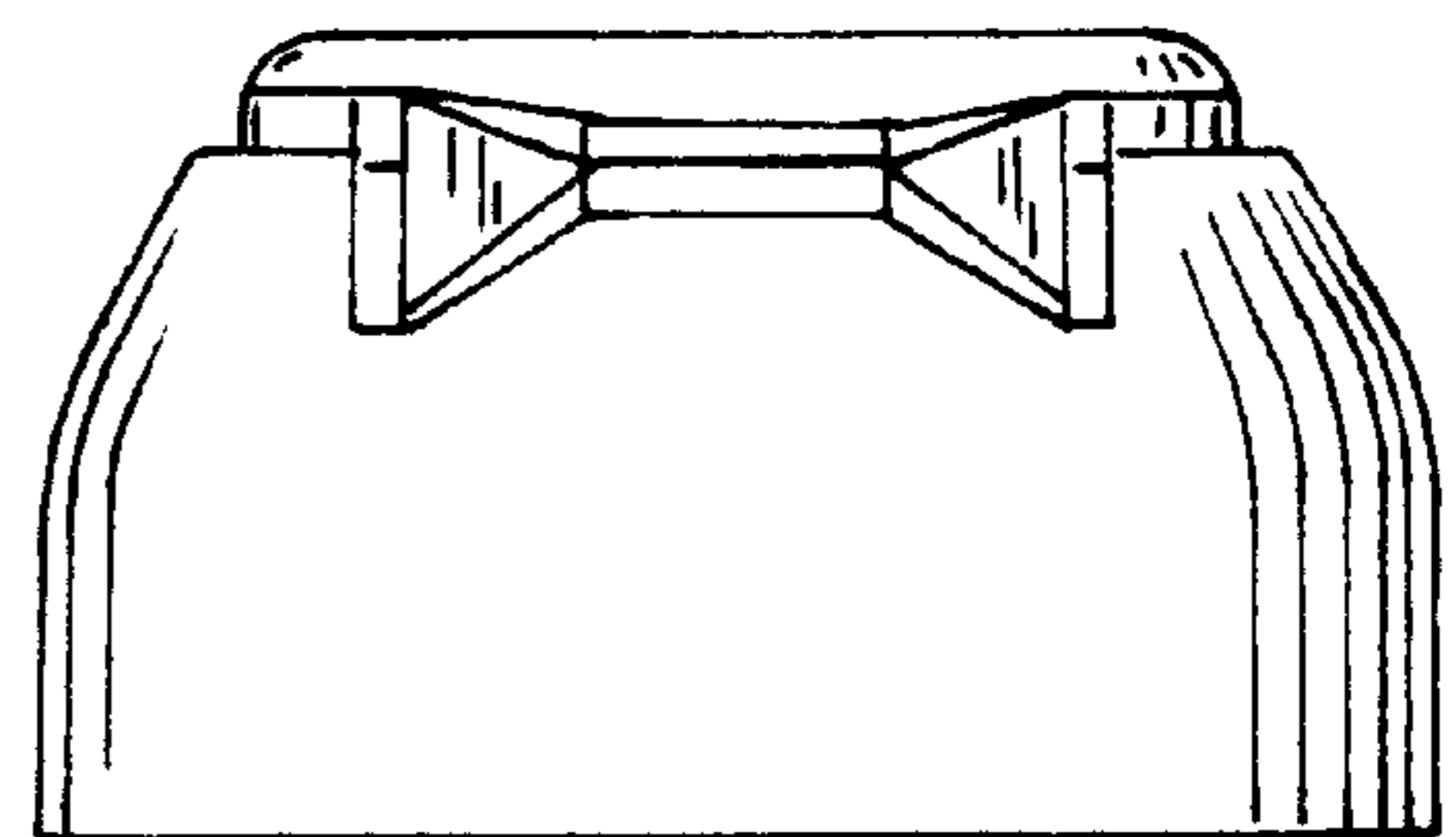


FIG. 11

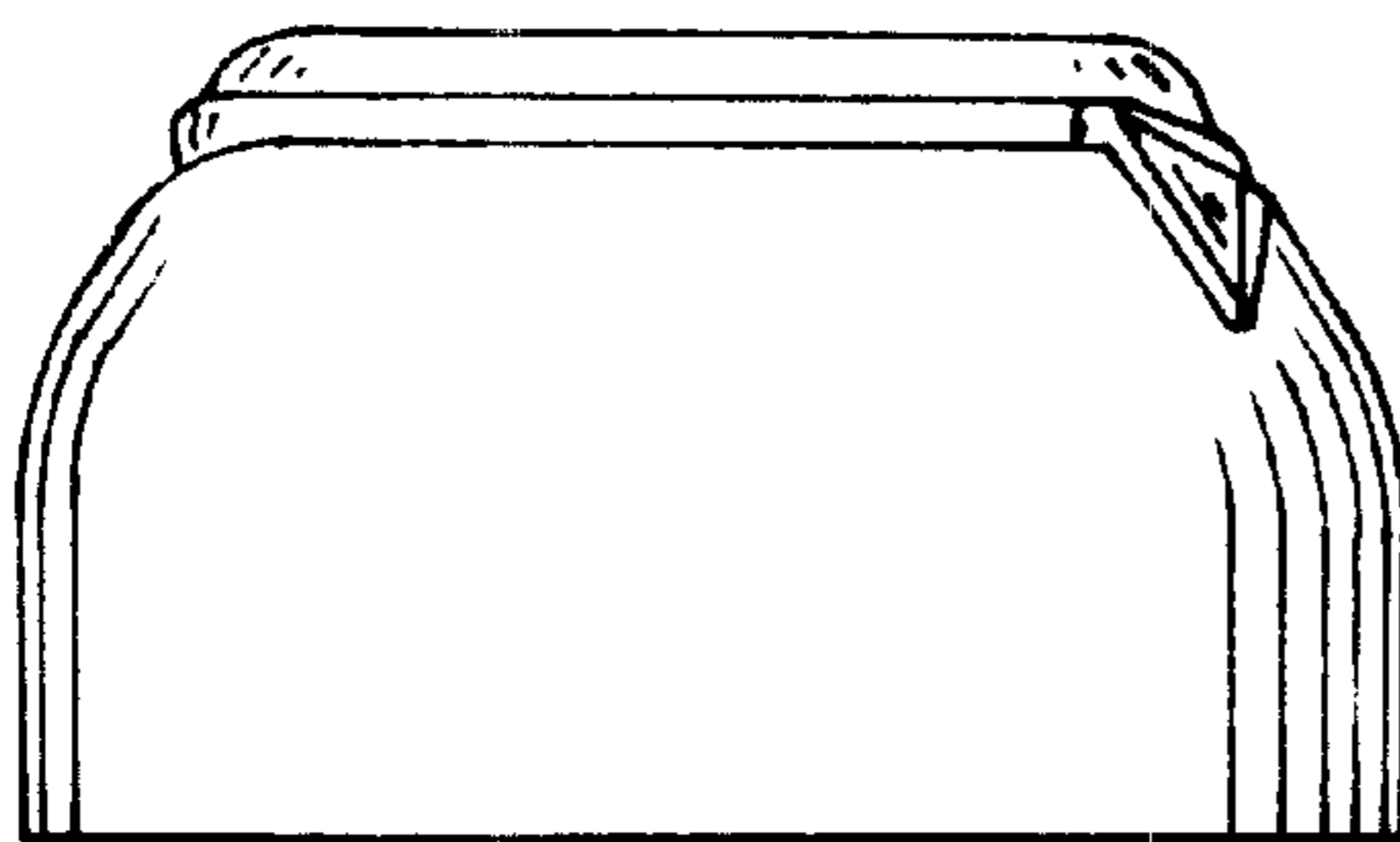


FIG. 9

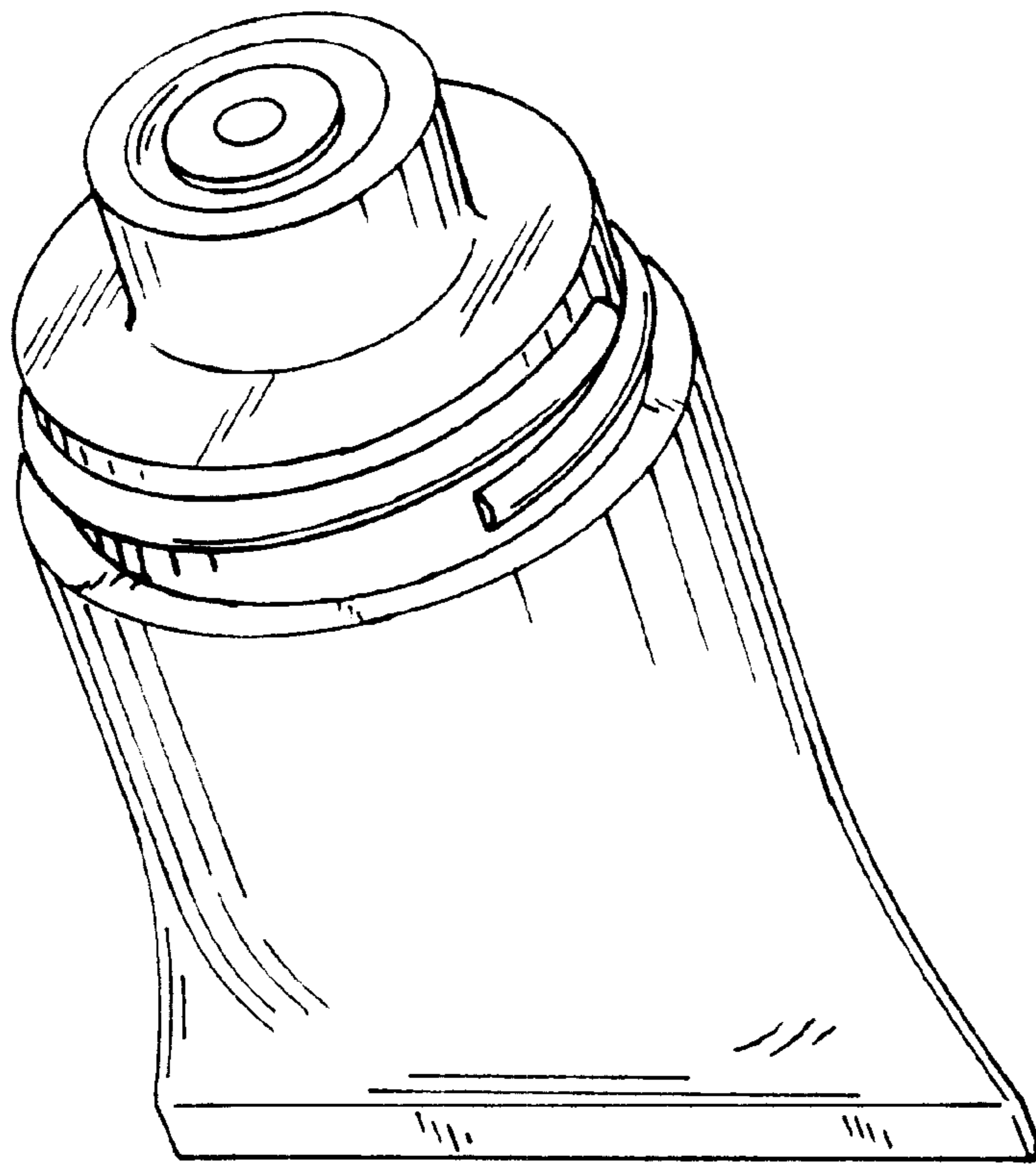


FIG.12