



US00D472136S

(12) **United States Design Patent**
Hermann

(10) **Patent No.:** **US D472,136 S**

(45) **Date of Patent:** **** Mar. 25, 2003**

(54) **BOTTLE WITH CAP**

(75) Inventor: **Lutz Wilhelm Hermann**, Hamburg
(DE)

(73) Assignee: **The Procter & Gamble Company**,
Cincinnati, OH (US)

(**) Term: **14 Years**

(21) Appl. No.: **29/152,628**

(22) Filed: **Dec. 20, 2001**

(30) **Foreign Application Priority Data**

Jun. 20, 2001 (GB) 2102675

(51) **LOC (7) Cl.** **09-01**

(52) **U.S. Cl.** **D9/300; D9/558**

(58) **Field of Search** D9/300, 338, 504,
D9/529, 542, 558; D24/110; D28/91.1,
89; 401/139, 264, 266

(56) **References Cited**

U.S. PATENT DOCUMENTS

D237,863 S * 12/1975 Peters et al. D9/529

D250,248 S * 11/1978 Grip D9/338
D281,054 S * 10/1985 Menrad D9/300
D303,926 S * 10/1989 Venne et al. D9/500
D422,902 S * 4/2000 Kikuchi D9/300

* cited by examiner

Primary Examiner—Paula A. Mortimer

(74) *Attorney, Agent, or Firm*—Kenya T. Pierre; Dara M. Kendall; Tara M. Rosnell

(57) **CLAIM**

The ornamental design for a bottle with cap, as shown and described.

DESCRIPTION

FIG. 1 is a perspective view of a bottle with cap, embodying my new design;

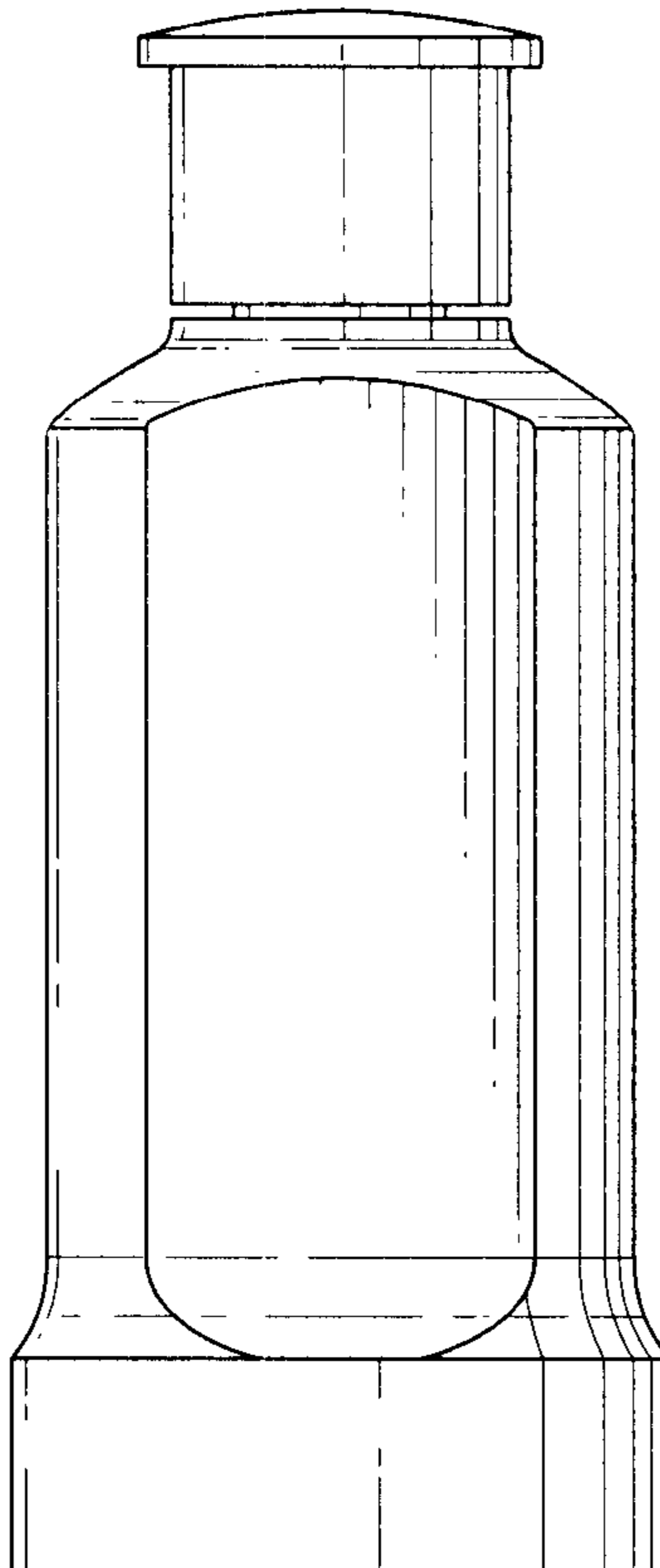
FIG. 2 is a front elevational view thereof, with the back elevational view being a mirror image thereof;

FIG. 3 is a left side elevational view thereof, with the right side elevational view being a mirror image of the left side;

FIG. 4 is a top plan view thereof; and,

FIG. 5 is a bottom plan view thereof.

1 Claim, 1 Drawing Sheet



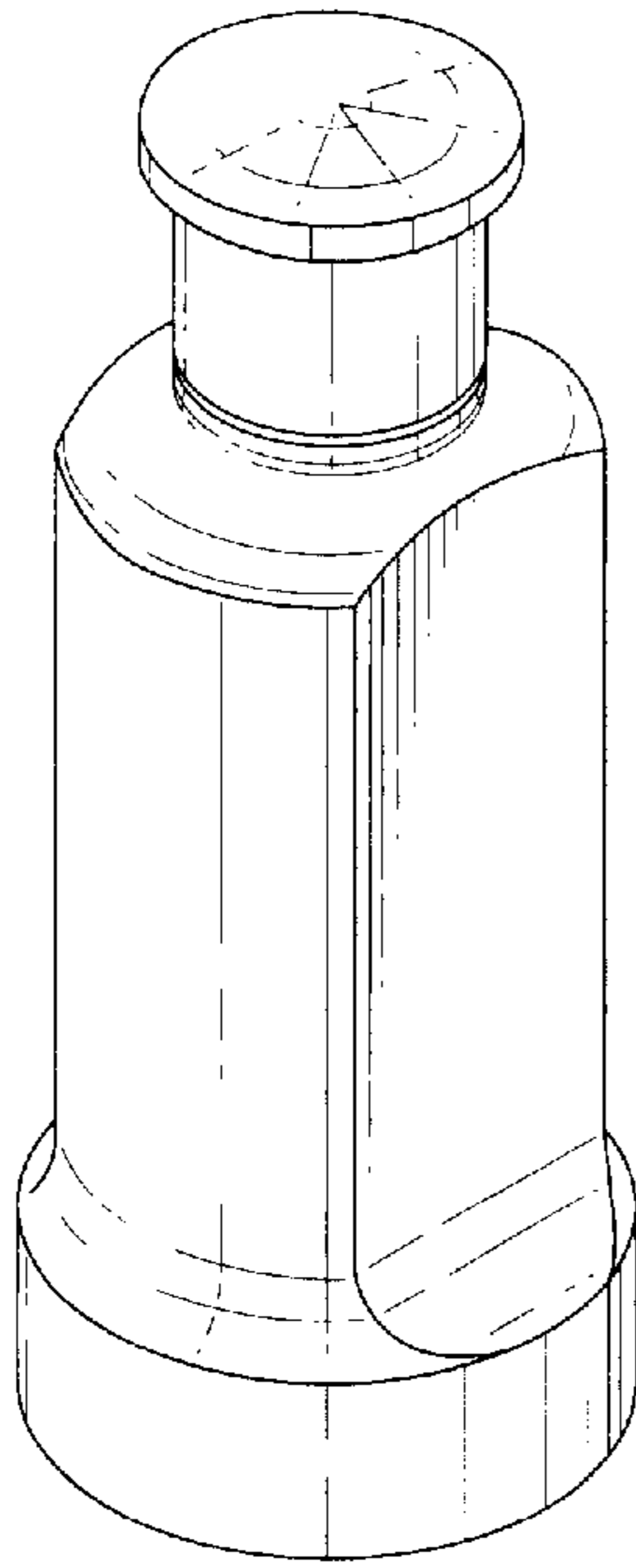


Fig. 1

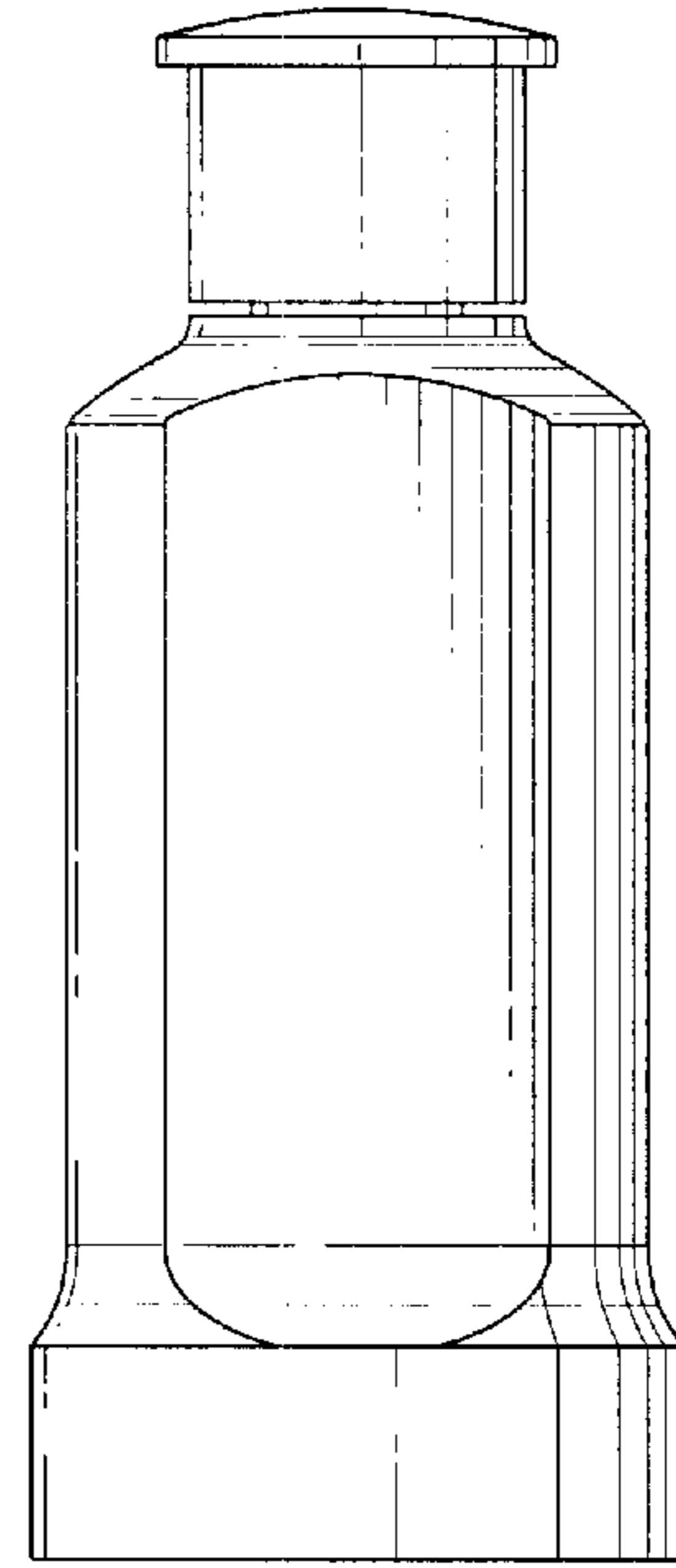


Fig. 2

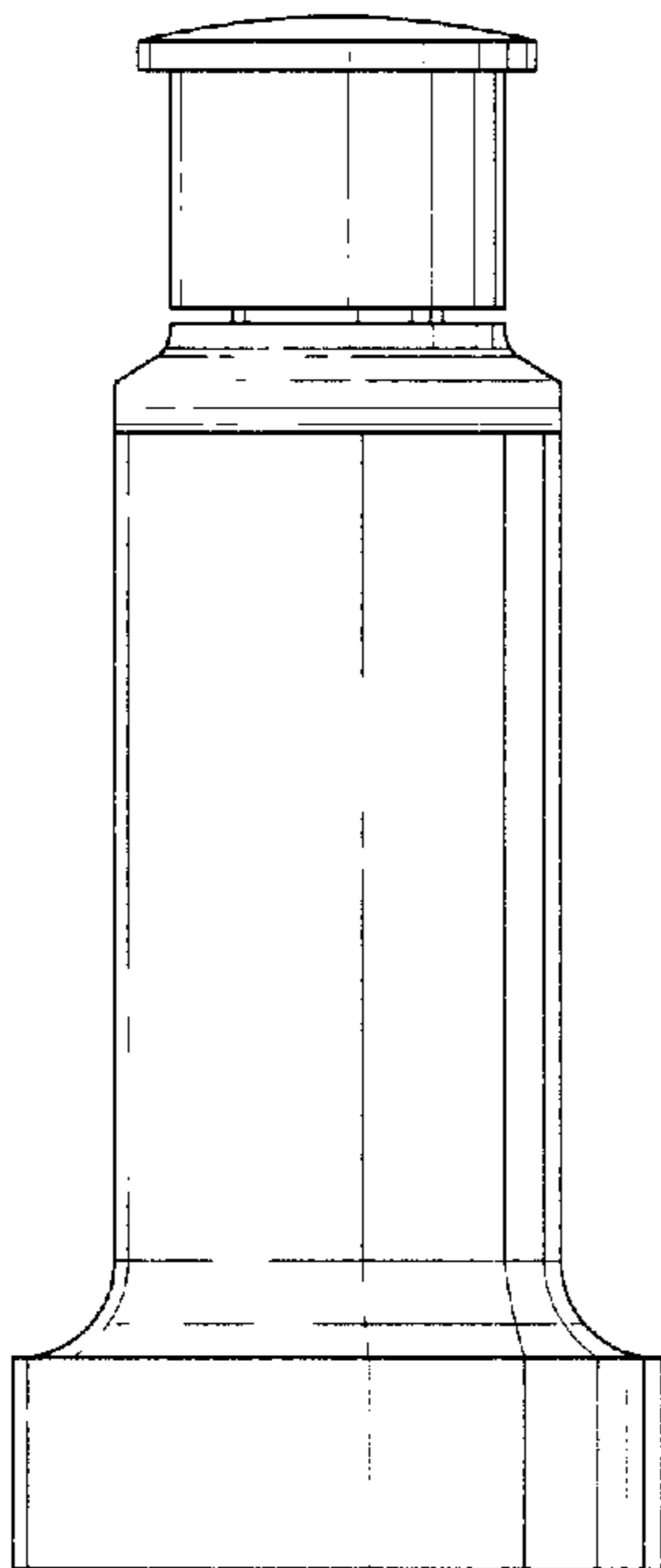


Fig. 3

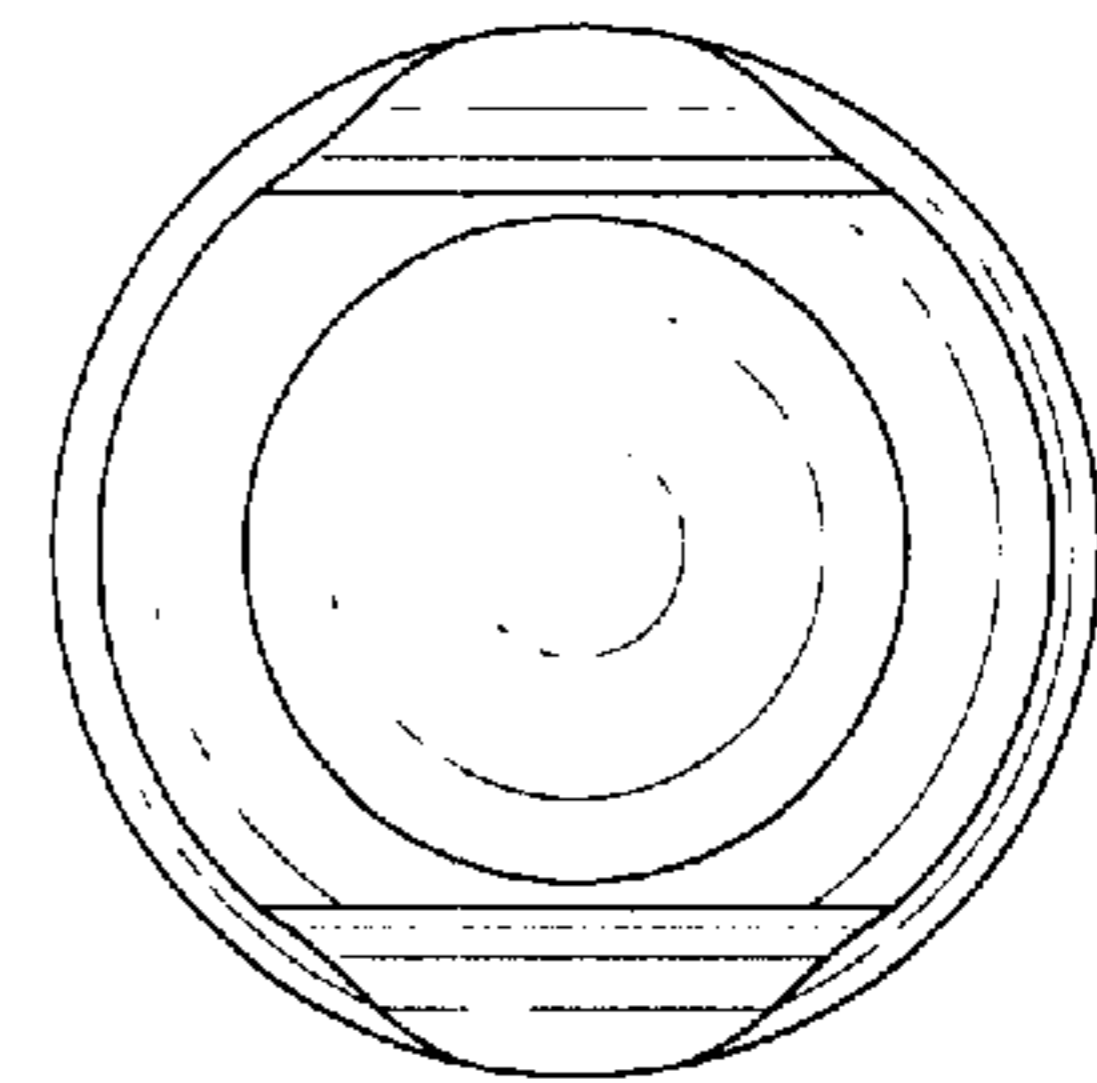


Fig. 4

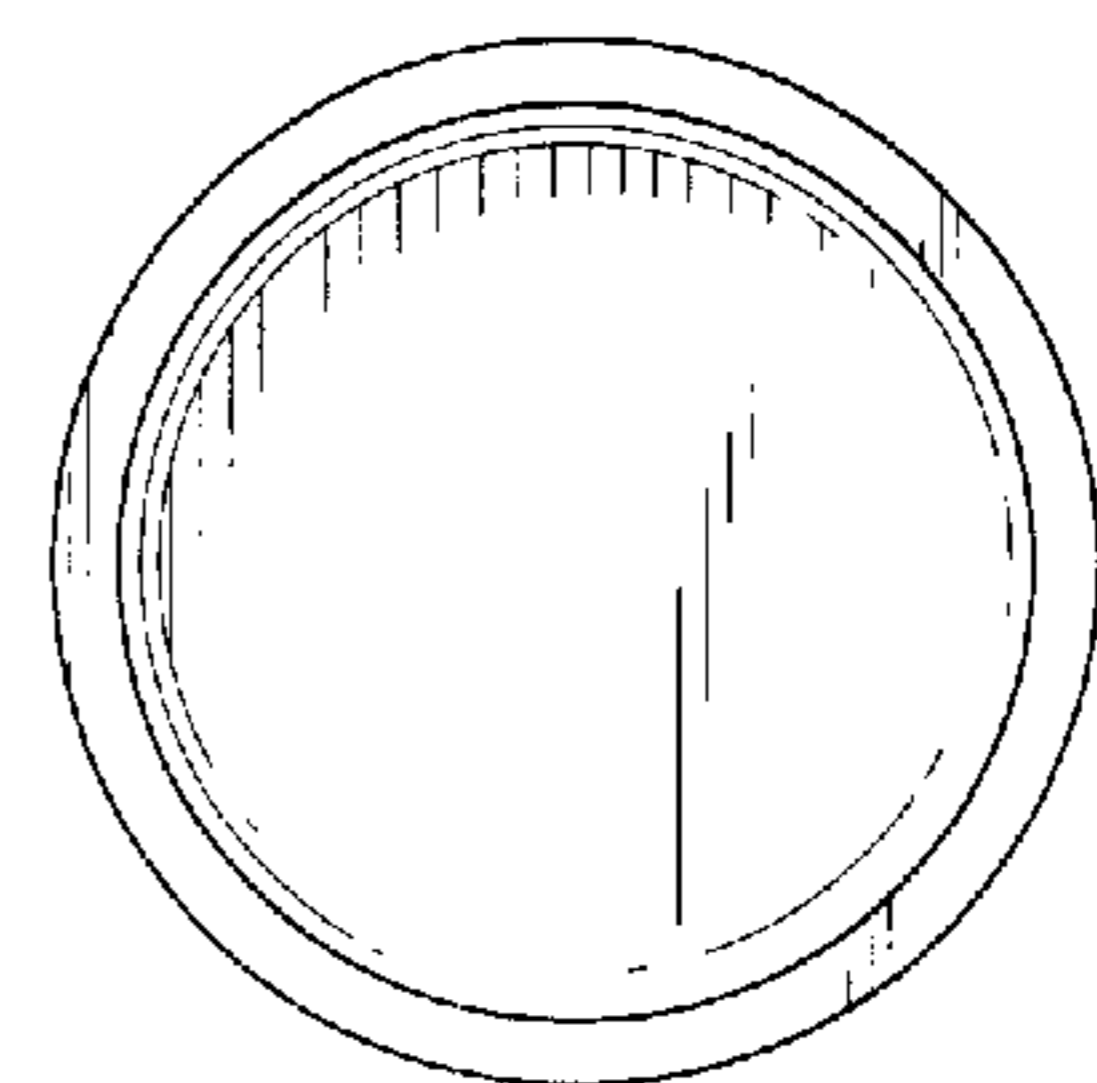


Fig. 5