



US00D472134S

(12) **United States Design Patent**
Goodman et al.

(10) **Patent No.:** **US D472,134 S**

(45) **Date of Patent:** **** Mar. 25, 2003**

(54) **HOOK RACK**

(75) Inventors: **Sheldon H. Goodman**, Solon, OH
(US); **Brian Stelmarski**, Mayfield Hts.,
OH (US)

(73) Assignee: **Shelddon H. Goodman**, Solon, OH
(US)

(**) Term: **14 Years**

(21) Appl. No.: **29/158,698**

(22) Filed: **Apr. 8, 2002**

Related U.S. Application Data

(63) Continuation-in-part of application No. 29/140,347, filed on
Apr. 17, 2001.

(51) **LOC (7) Cl.** **08-05**

(52) **U.S. Cl.** **D8/372; D8/367**

(58) **Field of Search** D8/372, 373, 371,
D8/370, 367; D6/513, 323, 566, 320; 211/87.01,
181.1, 106, 106.01, 119; 248/301-304,
322, 321.81, 399, 218.1, 339, 497

(56) **References Cited**

U.S. PATENT DOCUMENTS

257,533	A	*	5/1882	Taylor	248/303
305,861	A	*	9/1884	Taylor	248/303
661,557	A	*	11/1900	Schwab	52/27
914,639	A	*	3/1909	Cormeny	160/370
D275,629	S	*	9/1984	Einhorn	D8/372
D343,112	S		1/1994	Corbin	D8/367
D355,841	S	*	2/1995	Goodman et al.	D8/372
D401,840	S		12/1998	Goodman et al.	D8/367
D408,723	S		4/1999	Goodman et al.	D8/367
D409,398	S		5/1999	Sweetman	D6/323
D409,399	S		5/1999	Robinson	D6/323
D421,355	S	*	3/2000	Goodman et al.	D6/513

D431,451	S	10/2000	Kuo	D8/367
D435,786	S	1/2001	Goodman et al.	D8/372
D435,971	S	1/2001	Solowiej	D6/323
D436,839	S	1/2001	Goodman et al.	D8/372
D439,143	S	3/2001	Goodman et al.	D8/372
D452,642	S	1/2002	Goodman et al.	D8/367
D455,947	S	4/2002	Goodman et al.	D8/367
D456,695	S	5/2002	Goodman et al.	D8/367
D461,706	S	8/2002	Goodman et al.	D8/372

* cited by examiner

Primary Examiner—Pamela Burgess

(74) *Attorney, Agent, or Firm*—Pearne & Gordon LLP

(57) **CLAIM**

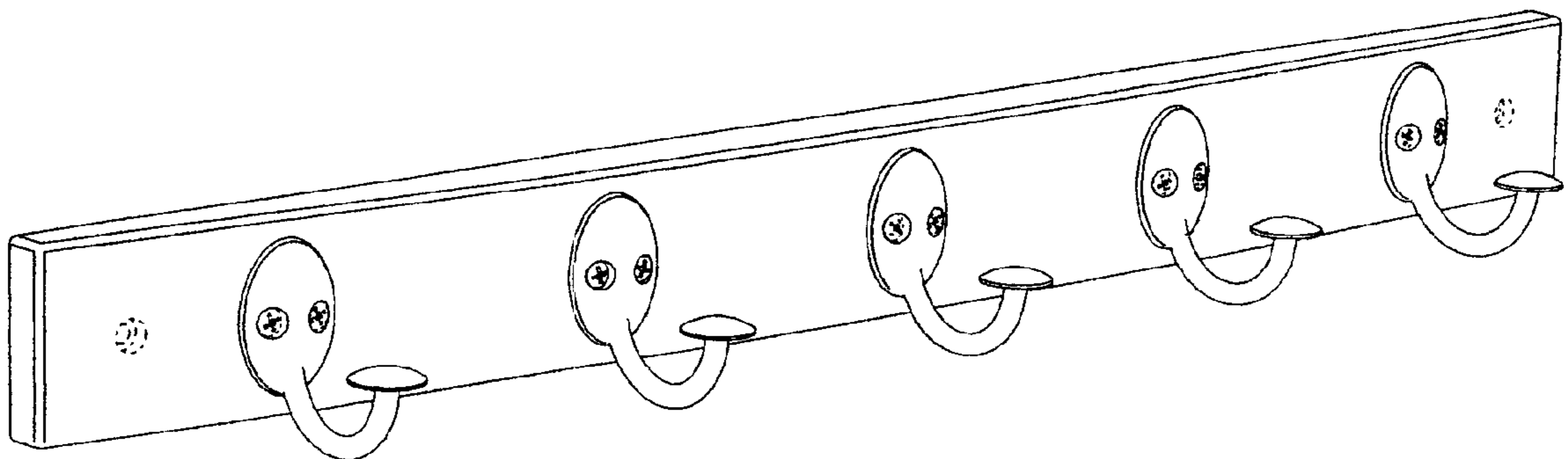
The ornamental design for a hook rack, as shown and described.

DESCRIPTION

FIG. 1 is a front, side and top perspective view of a hook rack showing our new design;
 FIG. 2 is a front elevational view thereof;
 FIG. 3 is a top plan view thereof;
 FIG. 4 is a side elevational view thereof;
 FIG. 5 is a bottom plan view thereof;
 FIG. 6 is a rear elevational view thereof;
 FIG. 7 is front, side and top perspective view of a second embodiment of a hook rack in accordance with our new design, showing a two hook style;
 FIG. 8 is a front elevational view thereof;
 FIG. 9 is a top plan view thereof;
 FIG. 10 is a side elevational view thereof;
 FIG. 11 is a bottom plan view thereof; and,
 FIG. 12 is a rear elevational view thereof.

The broken-line disclosure of elements in the views is for illustrative purposes only and forms no part of the claimed design.

1 Claim, 4 Drawing Sheets



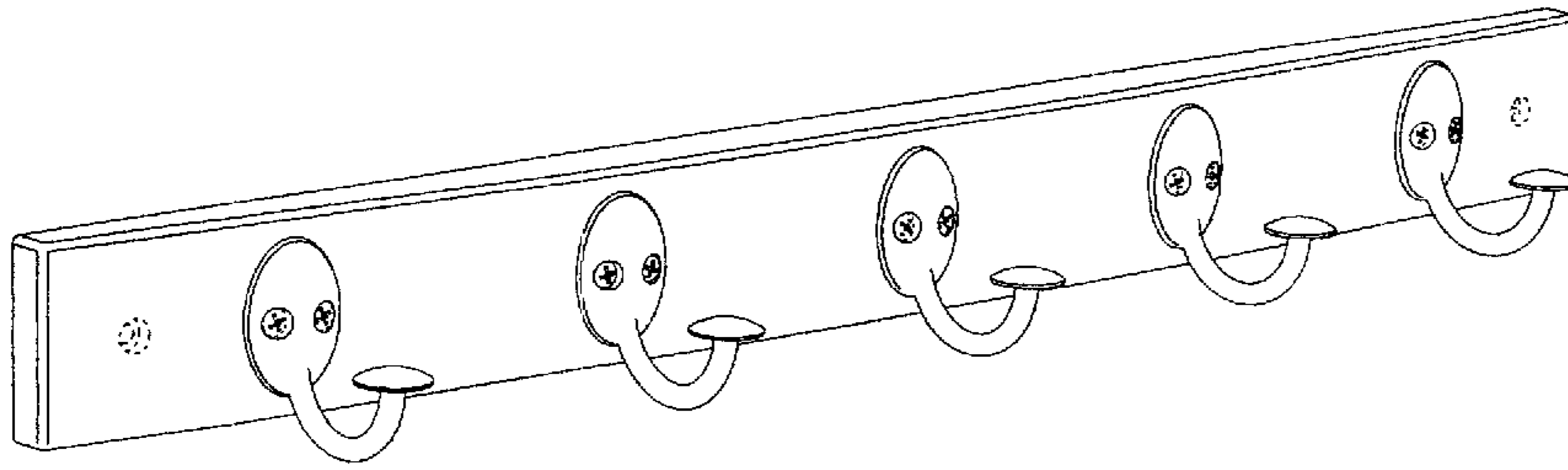


Fig. 1

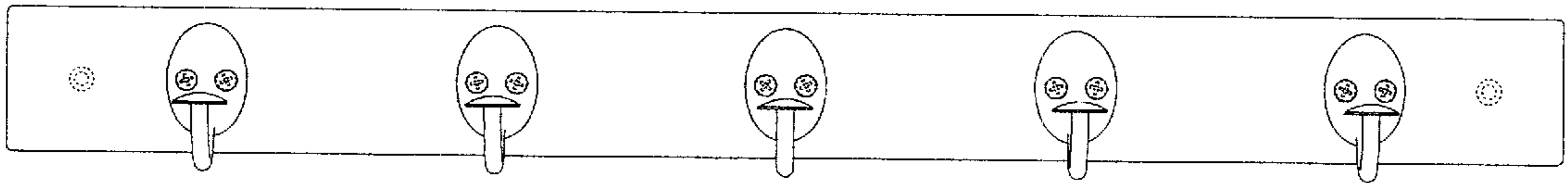
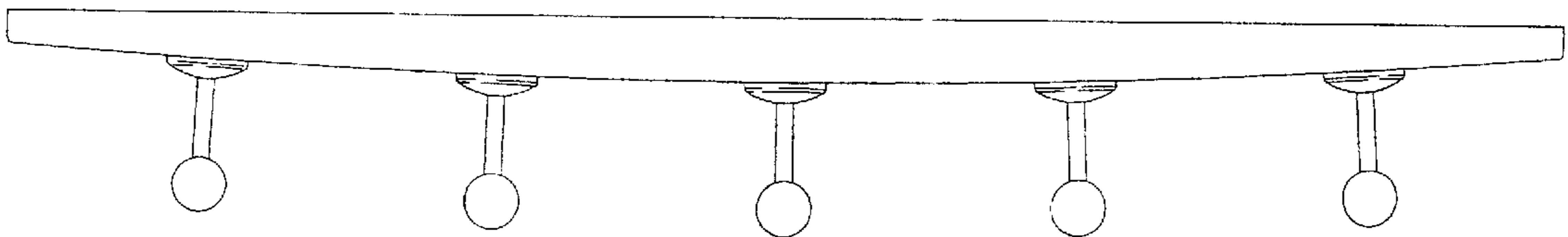


Fig. 2

Fig. 3



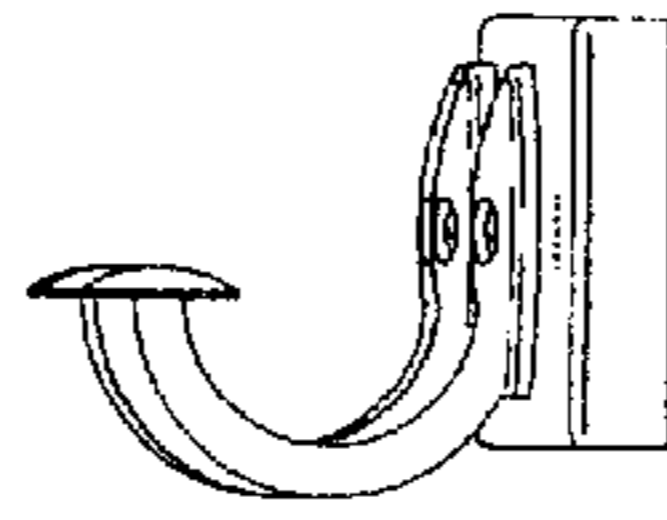


Fig. 4

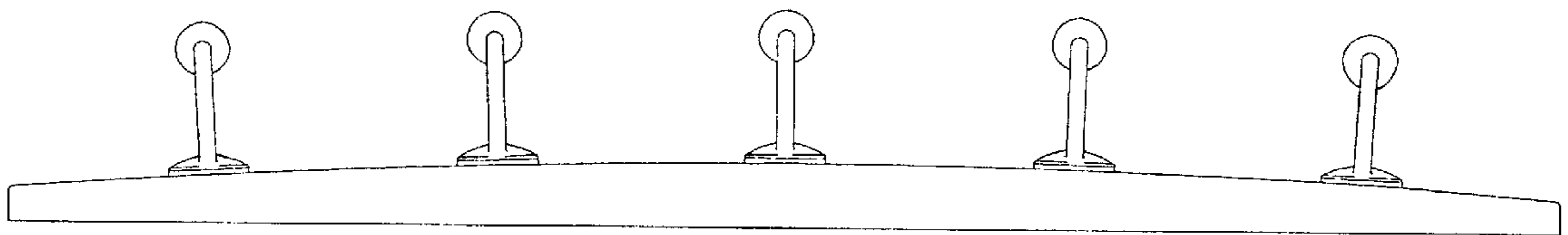


Fig. 5

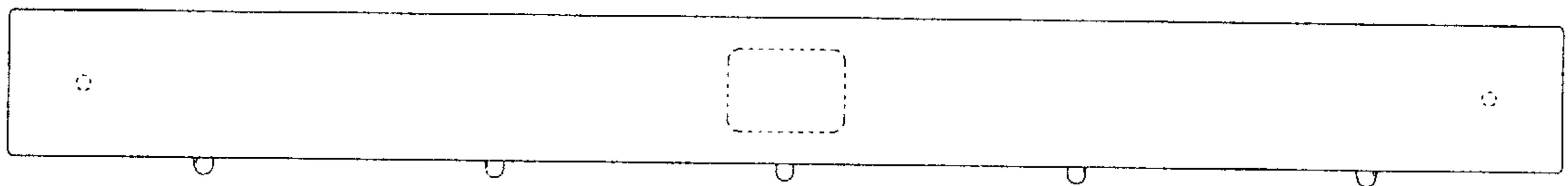


Fig. 6

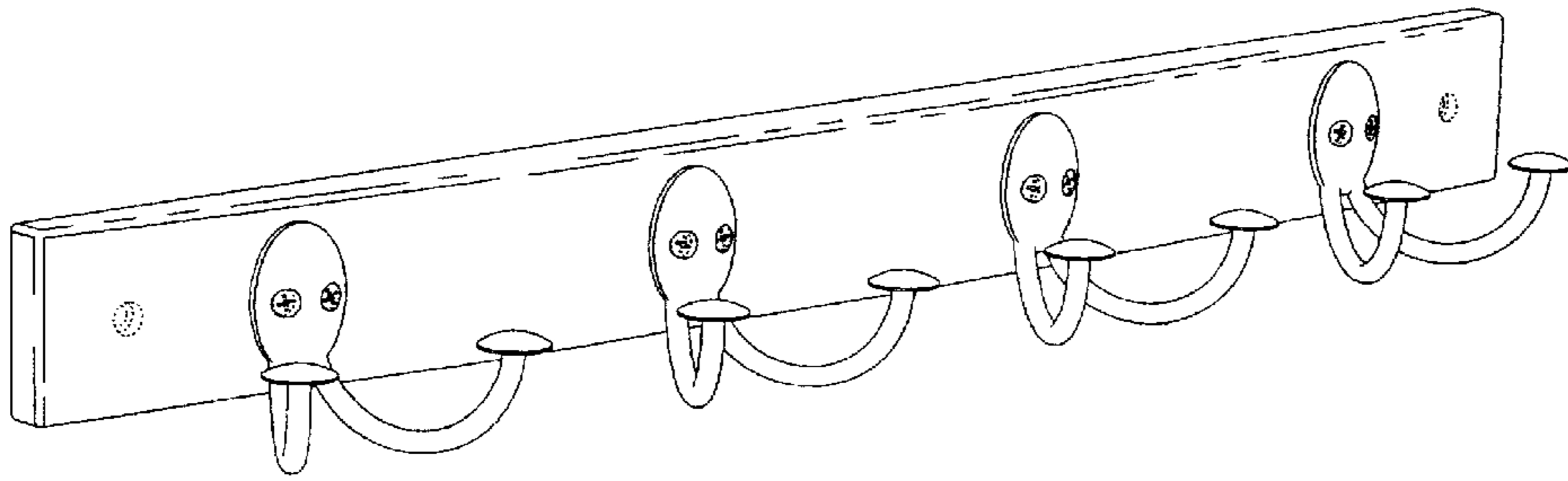


Fig. 7

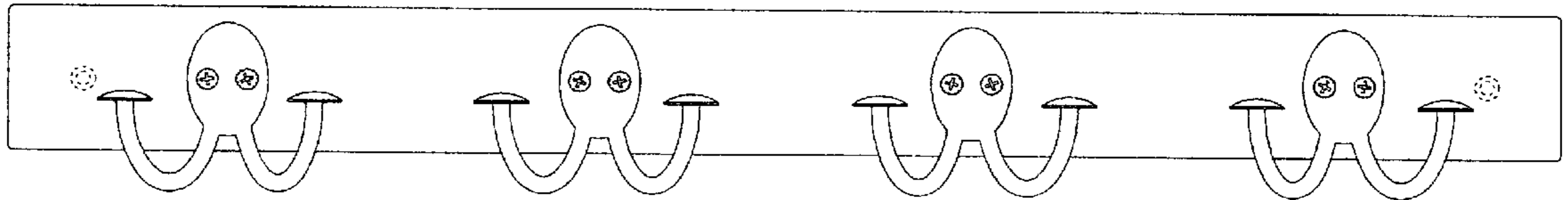
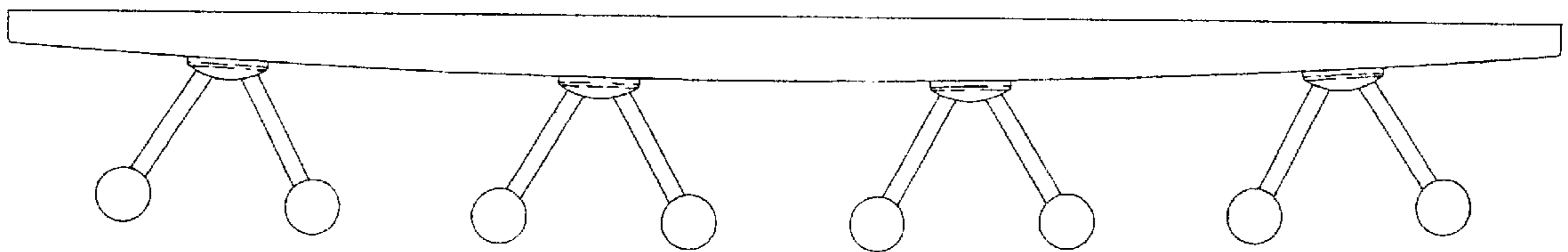


Fig. 8

Fig. 9



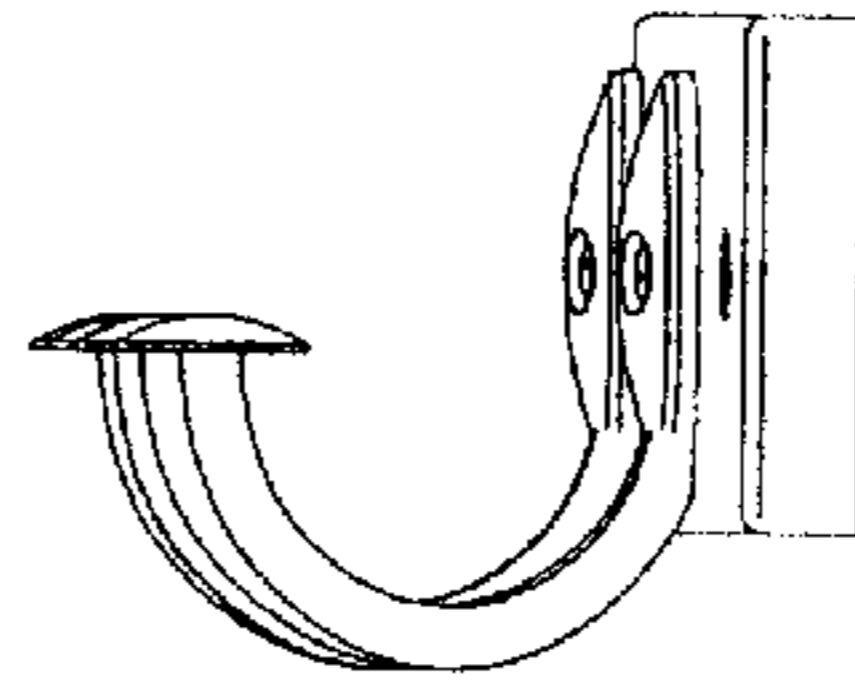


Fig. 10

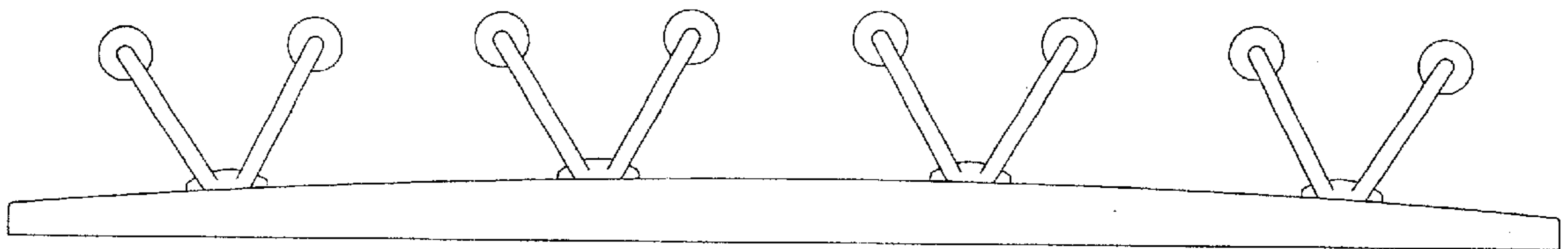


Fig. 11

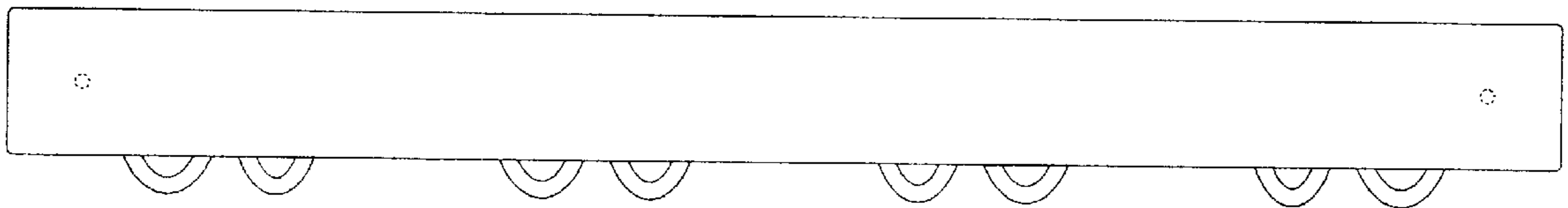


Fig. 12