



US00D472133S

(12) **United States Design Patent**
Ball

(10) **Patent No.:** **US D472,133 S**

(45) **Date of Patent:** **** Mar. 25, 2003**

(54) **RETRACTABLE HOSE DEVICE**

(76) Inventor: **Richard J. Ball**, 4260 57th Ave., N.,
St. Petersburg, FL (US) 33714

(**) Term: **14 Years**

(21) Appl. No.: **29/159,704**

(22) Filed: **Apr. 29, 2002**

(51) **LOC (7) Cl.** **08-05**

(52) **U.S. Cl.** **D8/356**

(58) **Field of Search** D6/512; D8/44,
D8/356, 358, 359, 360.1; D13/153, 154,
155; 137/355.12, 355.19, 355.26, 355.27;
191/12.2 R; 206/389; 242/129.5, 378, 378.1,
379, 379.2, 385.1, 388, 388.5, 397, 398,
405.3, 388.1; 248/89; 379/438; 439/4, 501

(56) **References Cited**

U.S. PATENT DOCUMENTS

1,040,740 A * 10/1912 Niswonger 242/146
3,776,262 A * 12/1973 Fritsch 137/355.26
4,109,828 A 8/1978 Stewart
D289,851 S * 5/1987 Huen D8/358
5,230,480 A 7/1993 Perry

D338,610 S * 8/1993 Johansson D8/358
D360,822 S * 8/1995 Anderson D8/358
D377,447 S * 1/1997 Blye D8/358
D387,062 S * 12/1997 Heine D8/358
D427,034 S * 6/2000 Cyrell D8/44
6,224,027 B1 5/2001 Johnson
D448,651 S * 10/2001 Kovacic et al. D8/358

* cited by examiner

Primary Examiner—Robert M. Spear
Assistant Examiner—Elizabeth A. Albert

(57) **CLAIM**

The ornamental design for a retractable hose device, as shown and described.

DESCRIPTION

FIG. 1 is a perspective view as seen from the top, front and right side of the claimed design;
FIG. 2 is a left side elevational view thereof;
FIG. 3 is a front elevational view thereof;
FIG. 4 is a right side elevational view thereof;
FIG. 5 is a rear elevational view thereof;
FIG. 6 is a top plan view thereof; and,
FIG. 7 is a bottom plan view thereof.

1 Claim, 3 Drawing Sheets

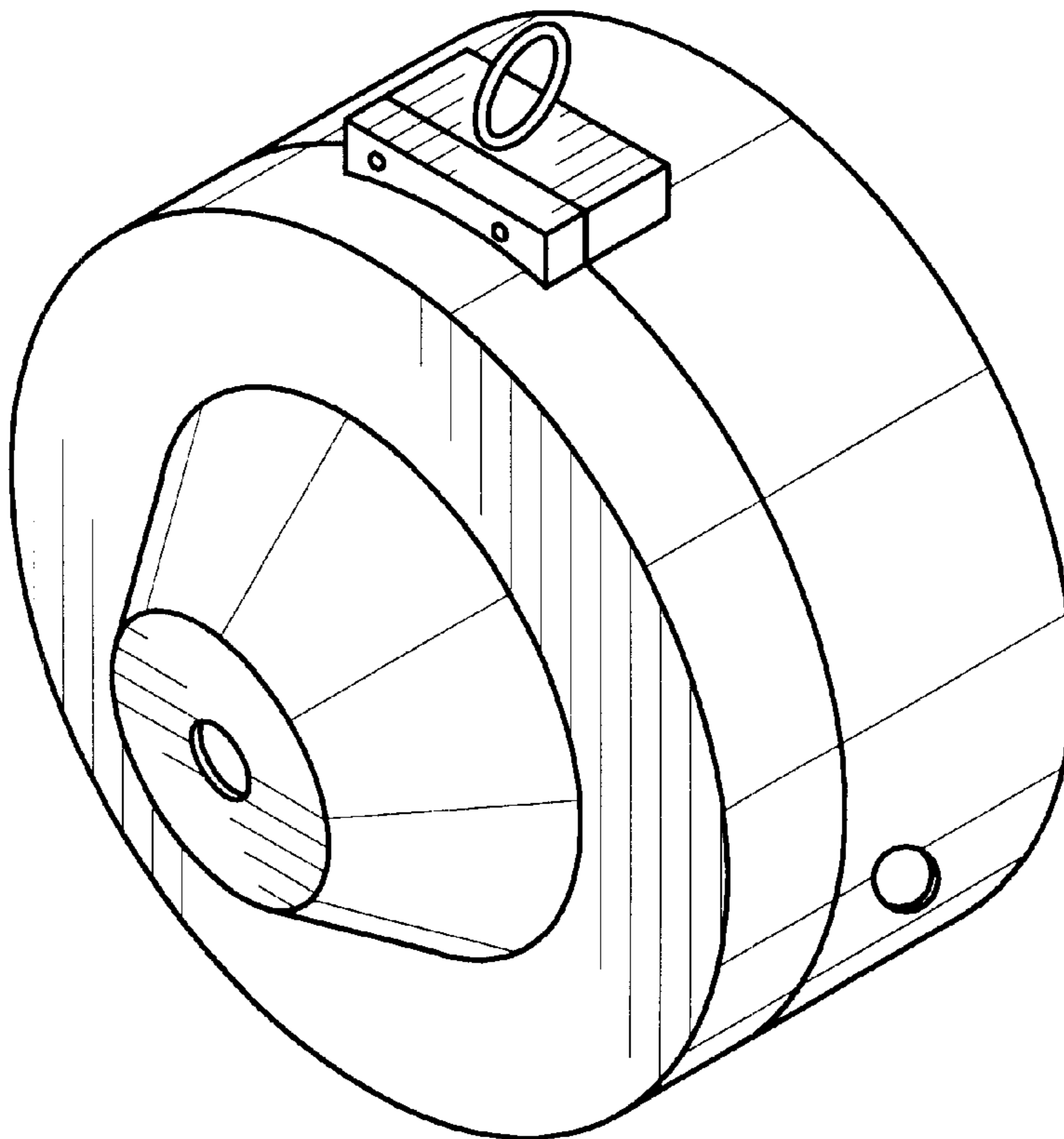


FIG. 1

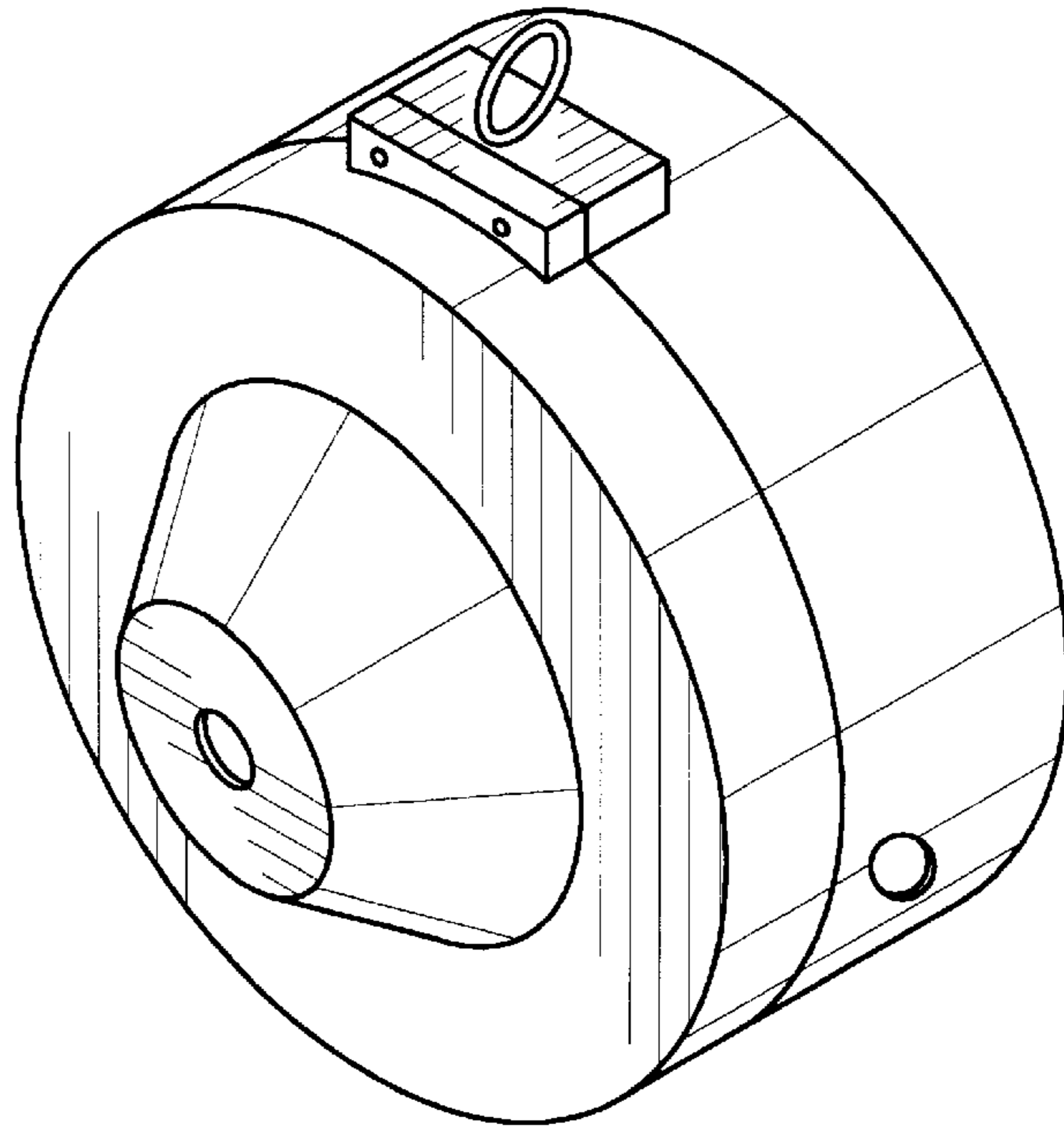


FIG. 6

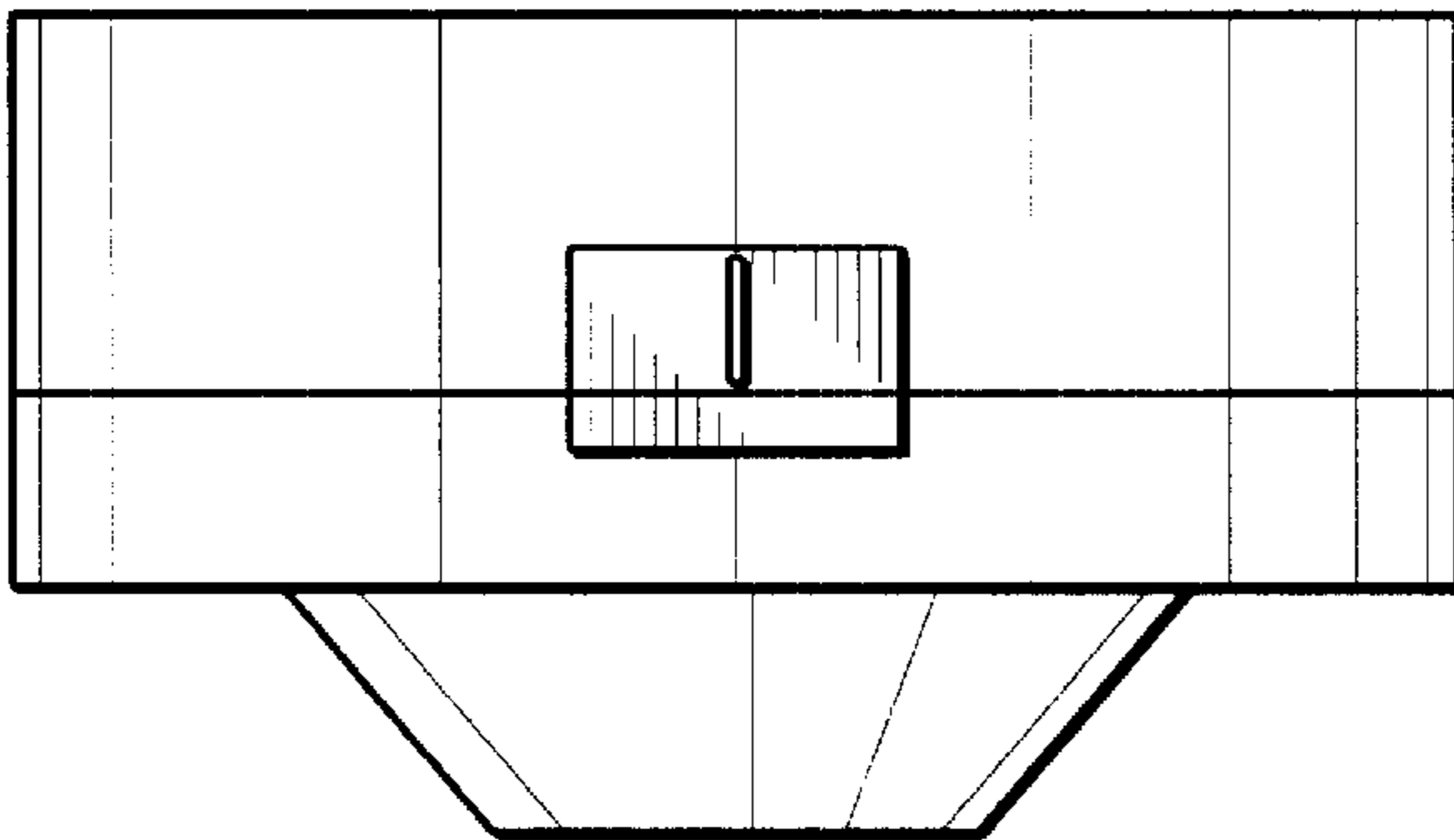


FIG. 7

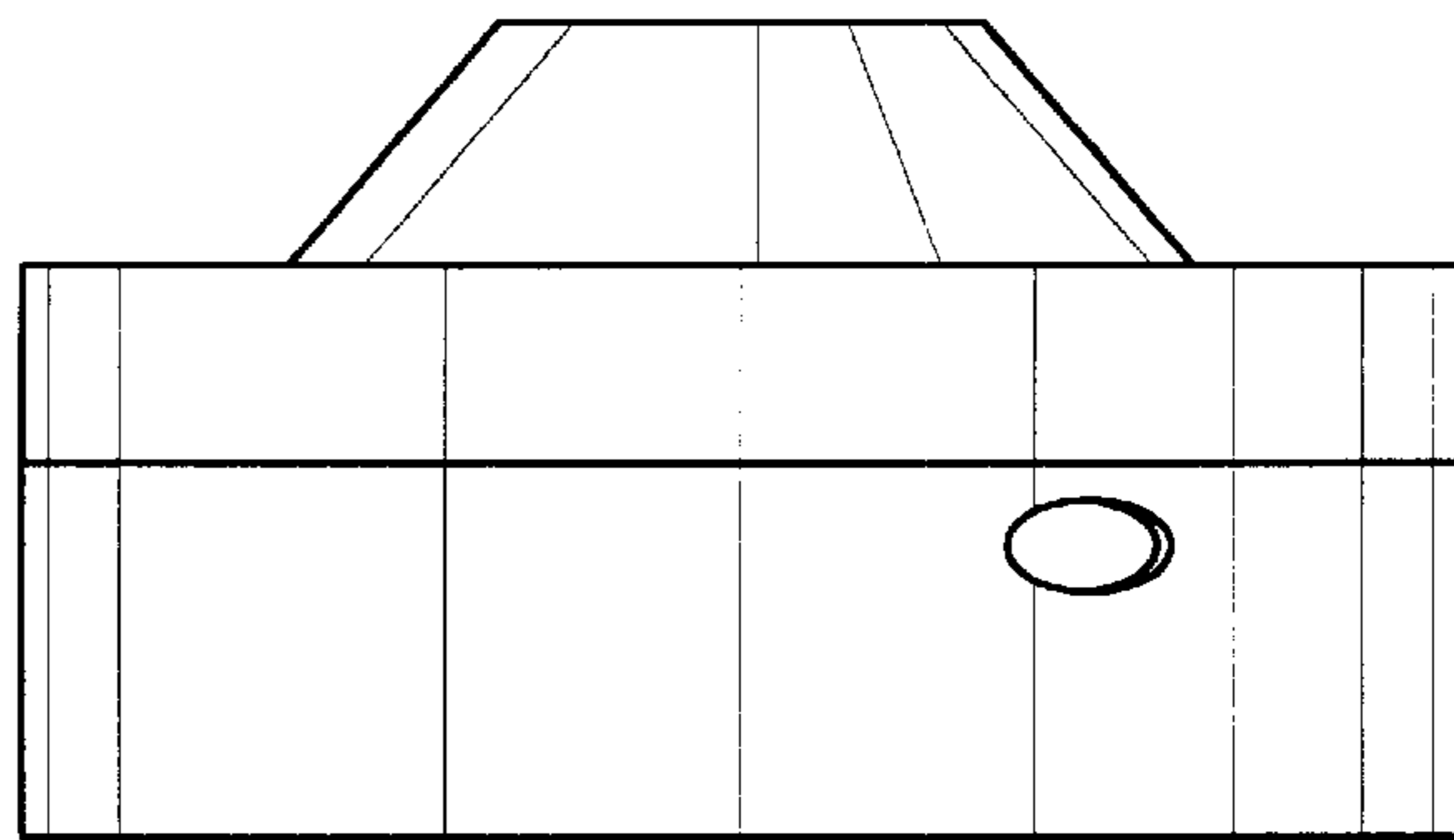


FIG.3

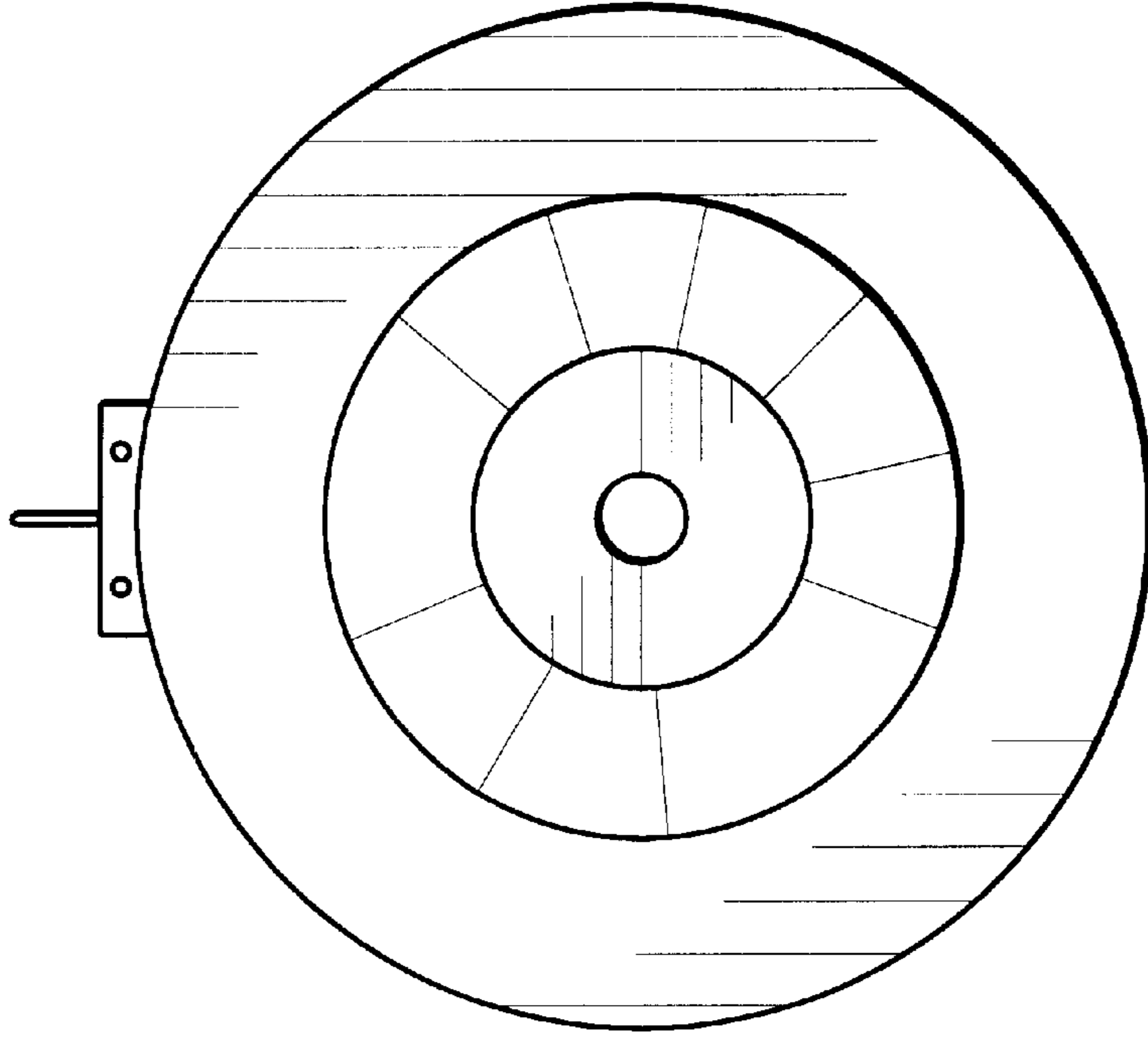


FIG.2

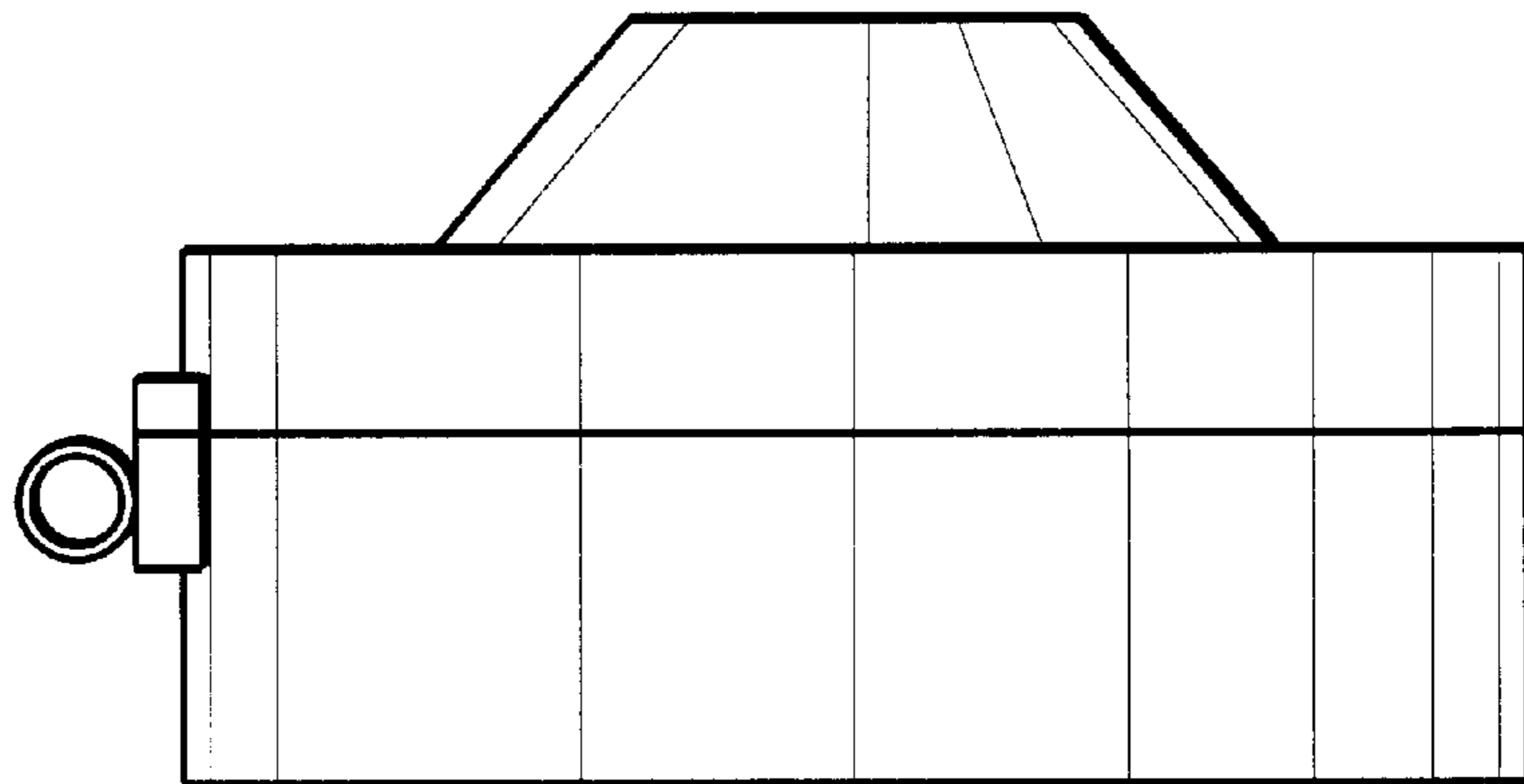


FIG. 5

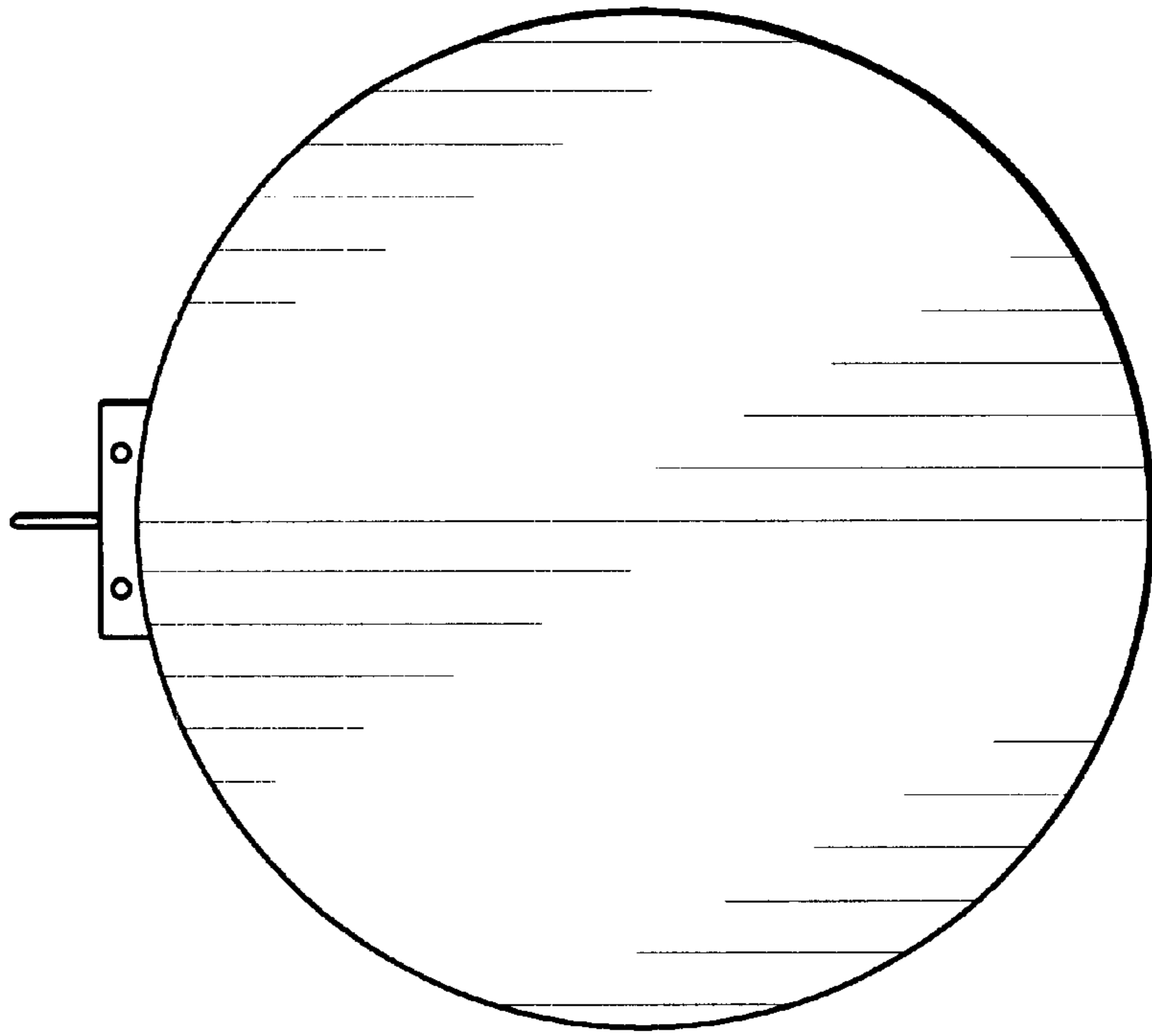


FIG. 4

