



US00D472128S

(12) **United States Design Patent**  
**Heffel**

(10) **Patent No.:** **US D472,128 S**

(45) **Date of Patent:** **\*\* Mar. 25, 2003**

(54) **MOTORCYCLE OIL DIPSTICK HANDLE**

(76) Inventor: **Joseph William Heffel**, 123 Lake St.,  
Ramsey, NJ (US) 07446

(\*\*) Term: **14 Years**

(21) Appl. No.: **29/161,278**

(22) Filed: **May 28, 2002**

(51) **LOC (7) Cl.** ..... **08-06**

(52) **U.S. Cl.** ..... **D8/312**

(58) **Field of Search** ..... D8/300, 307, 310-312,  
D8/313; D10/70; 73/116; 33/728, 722,  
731, 290 B, 727; 116/227; 184/105, 1.5;  
600/300

(56) **References Cited**

**U.S. PATENT DOCUMENTS**

2,690,924 A \* 10/1954 Johnston ..... D8/312 X

4,155,166 A \* 5/1979 Rochow et al. .... 33/727  
D261,349 S \* 10/1981 Ryser ..... D8/310  
5,099,584 A \* 3/1992 Williams ..... 33/725  
5,829,153 A \* 11/1998 Hitchcock ..... 33/728

\* cited by examiner

*Primary Examiner*—Antoine Duval Davis

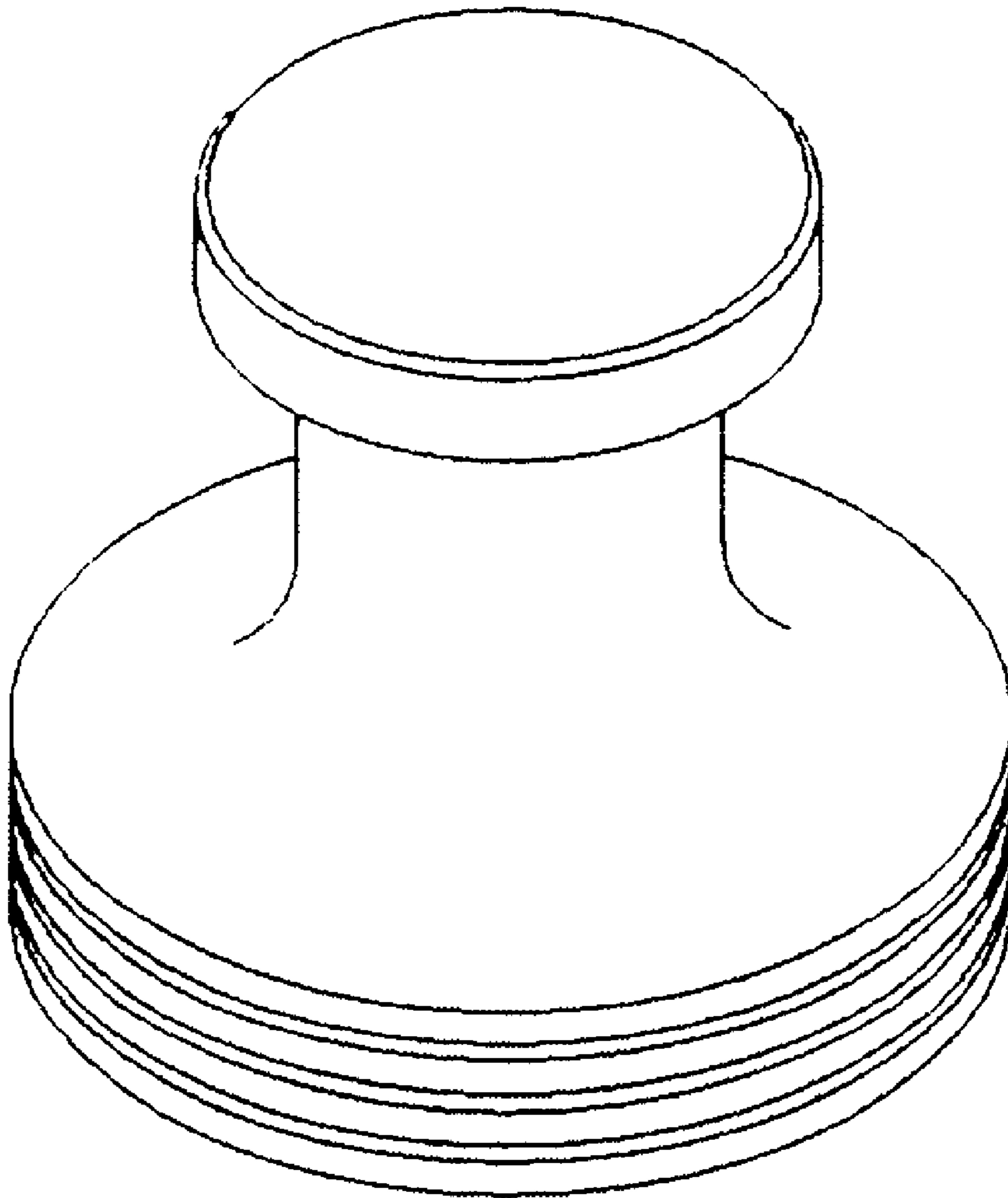
(57) **CLAIM**

The ornamental design for a motorcycle oil dipstick handle,  
as shown and described.

**DESCRIPTION**

FIG. 1 is a perspective view of a motorcycle oil dipstick  
handle embodying the present invention.  
FIG. 2 is a top view of the design shown in FIG. 1.  
FIG. 3 is a bottom view of the design shown in FIG. 1; and,  
FIG. 4 is a side view of the design shown in FIG. 1, the front  
and rear views being identical, thereof.

**1 Claim, 1 Drawing Sheet**



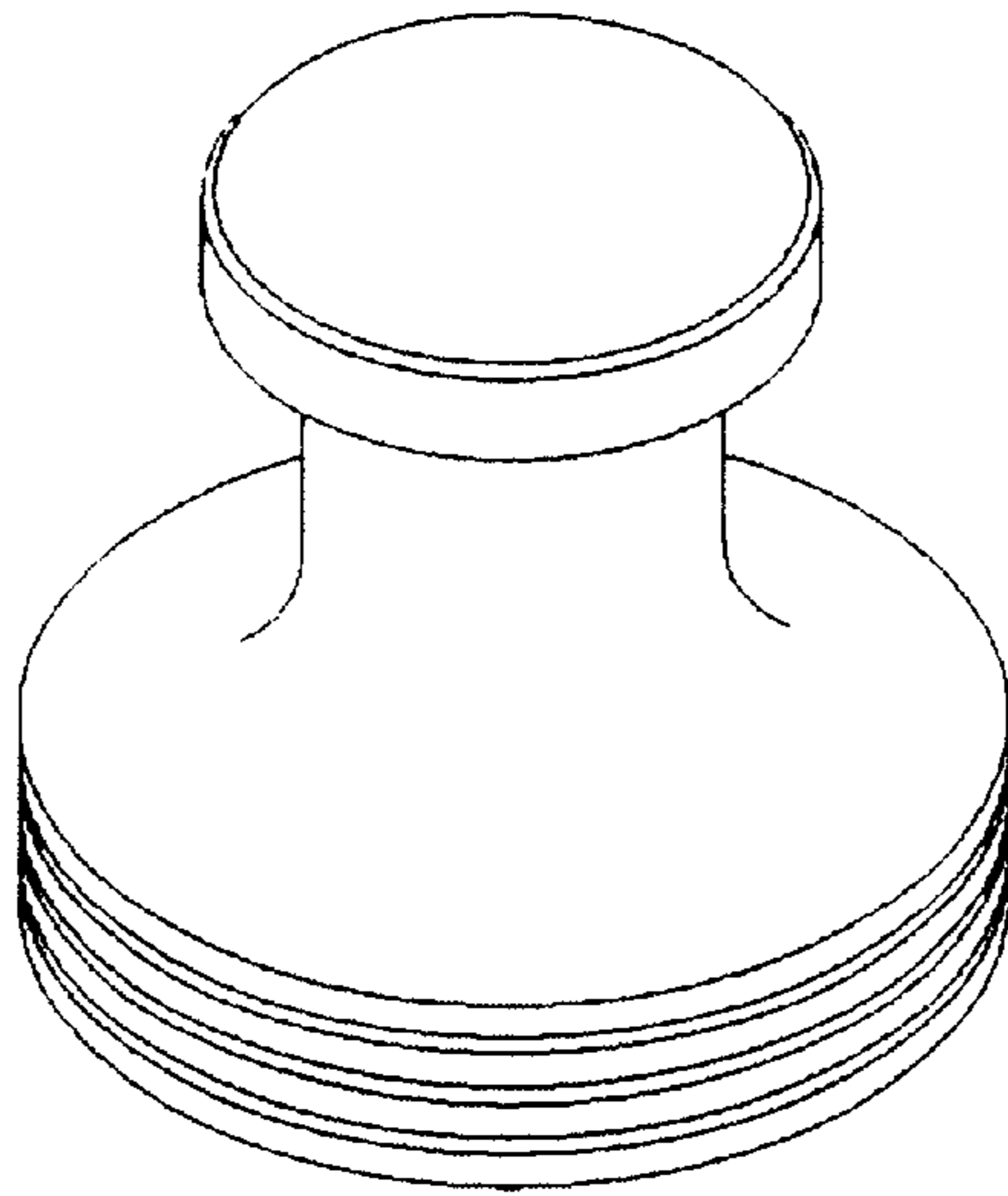


FIG. 1

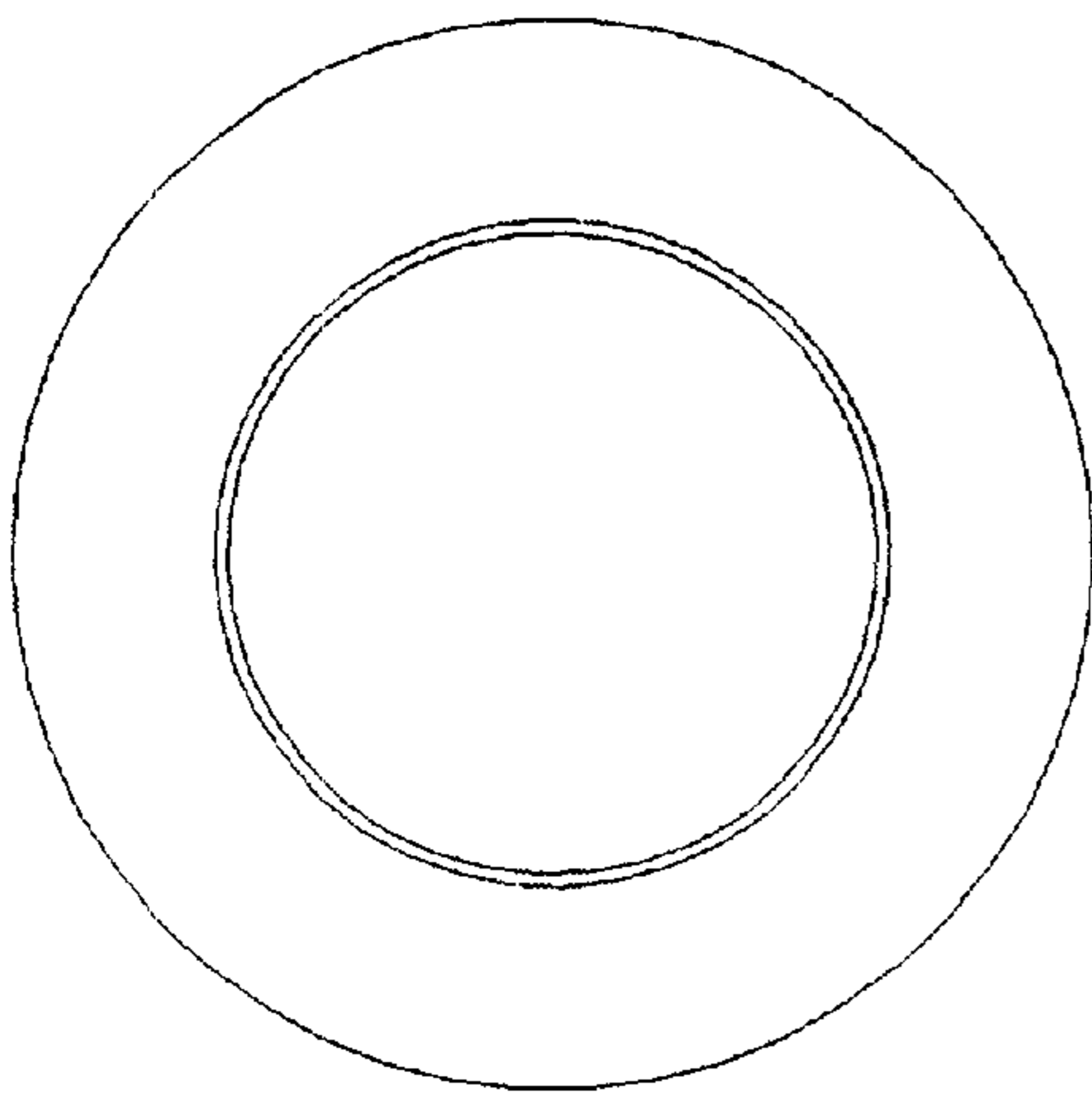


FIG. 2

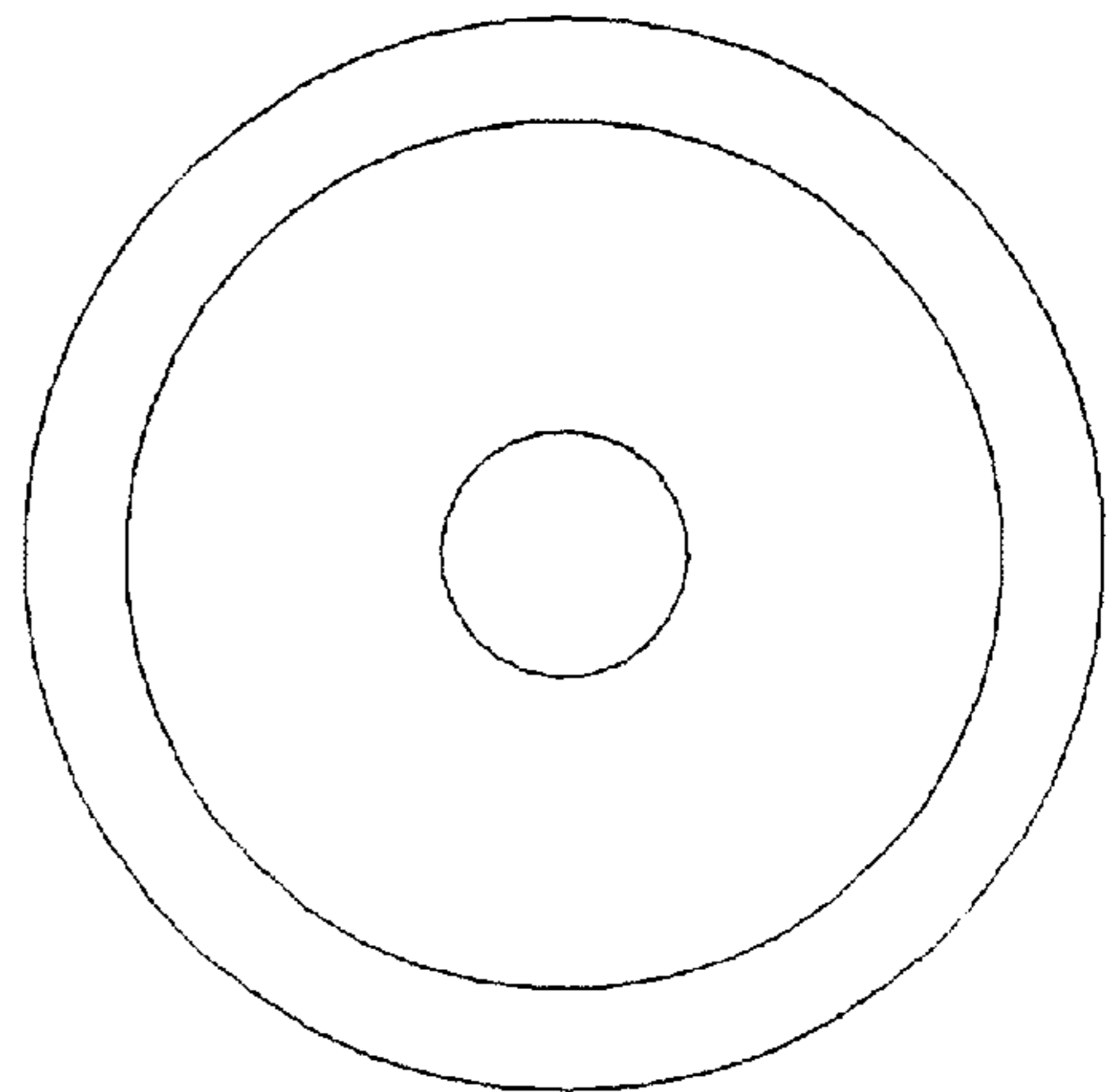


FIG. 3

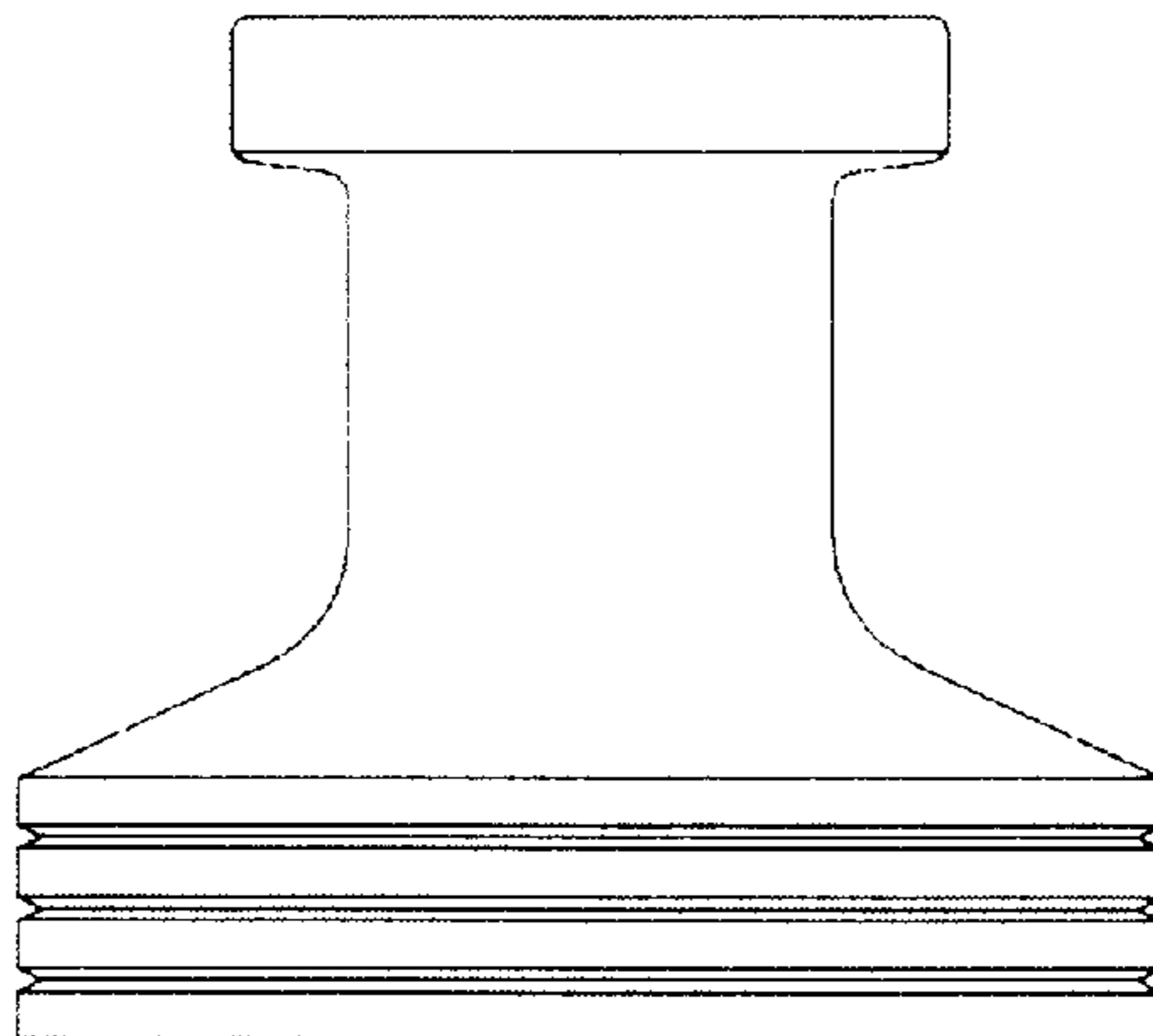


FIG. 4