



US00D472114S

(12) **United States Design Patent**
Palecki et al.

(10) **Patent No.:** **US D472,114 S**

(45) **Date of Patent:** **** Mar. 25, 2003**

(54) **TURBOTUNE DRUMKEY**
(75) Inventors: **Thomas L. Palecki**, 3220 Northampton Ct., Pleasanton, CA (US) 94588; **Dave Jeffrey**, Campbell, CA (US)

5,394,775 A * 3/1995 Fagerstrom 81/483
D379,420 S * 5/1997 Standlee et al. D8/70
D404,986 S * 2/1999 Mahon D17/22
D407,895 S * 4/1999 Staley D17/22
D415,402 S * 10/1999 Learnig D8/70
D429,262 S * 8/2000 Streich D15/140

(73) Assignees: **Thomas L. Palecki**, Pleasanton, CA (US); **David R. Jeffrey**, San Jose, CA (US)

* cited by examiner

(**) Term: **14 Years**

Primary Examiner—Raphael Barkai

(21) Appl. No.: **29/149,339**

(57) **CLAIM**

(22) Filed: **Oct. 9, 2001**

The ornamental design for a turbotune drumkey, as shown.

(51) **LOC (7) Cl.** **08-05**

DESCRIPTION

(52) **U.S. Cl.** **D8/21; D8/70; D17/22**

FIG. 1 is a top view.

(58) **Field of Search** D8/21–29, 70; D17/22; D15/140; 81/121.1, 483, 52, 467

FIG. 2 is a side view.

FIG. 3 is a bottom view; and,

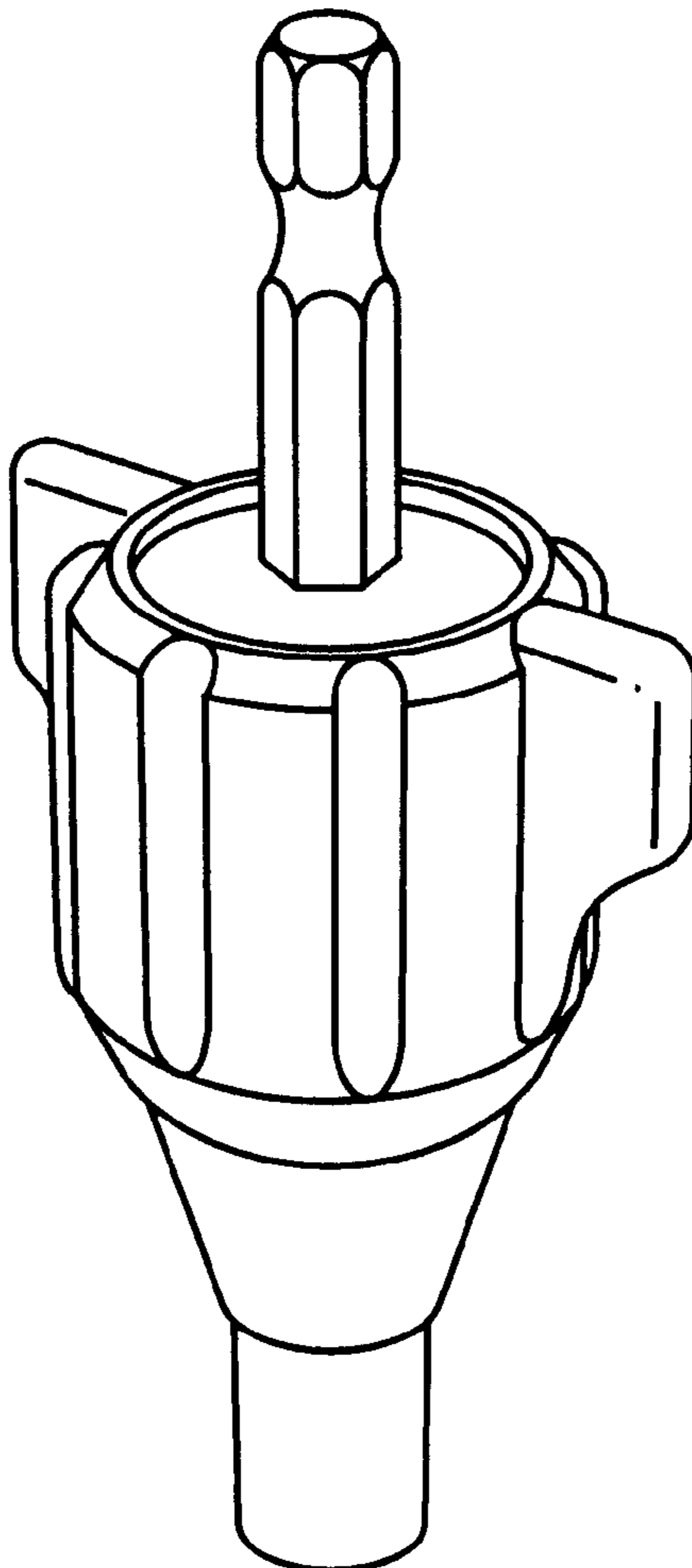
FIG. 4 is a perspective view.

(56) **References Cited**

U.S. PATENT DOCUMENTS

5,193,418 A * 3/1993 Behrenfeld 81/121.1

1 Claim, 1 Drawing Sheet



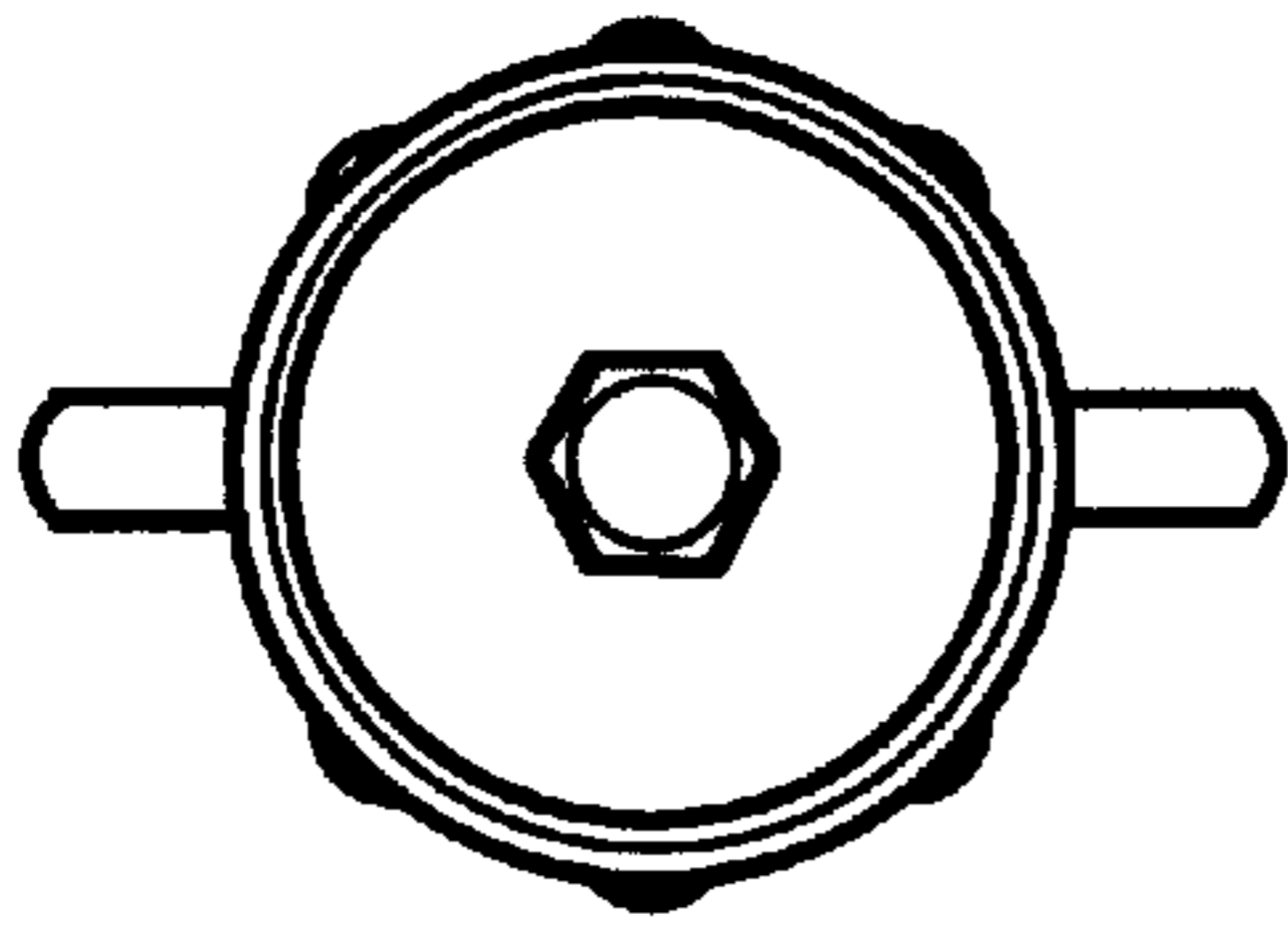


FIGURE 1

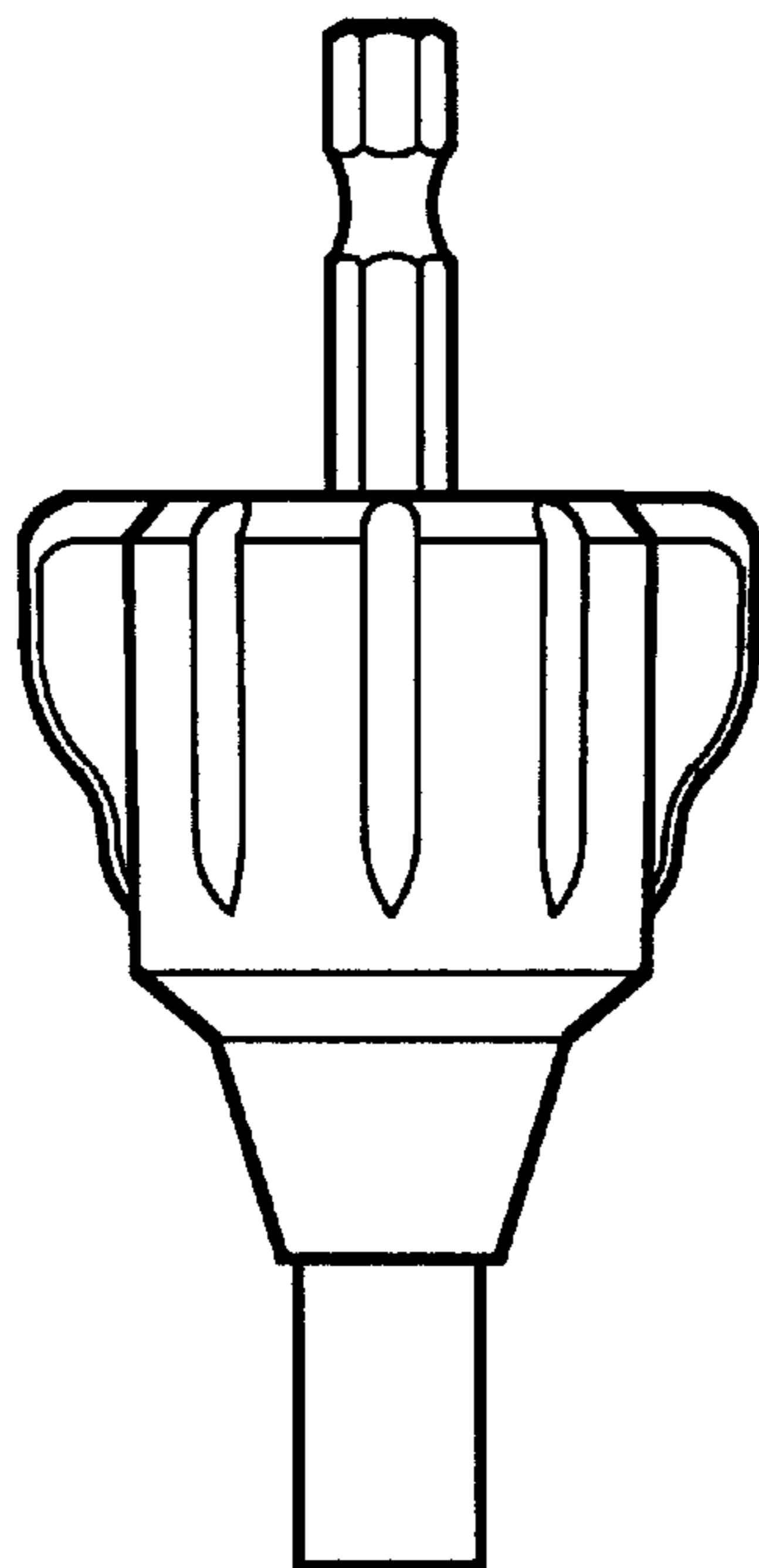


FIGURE 2

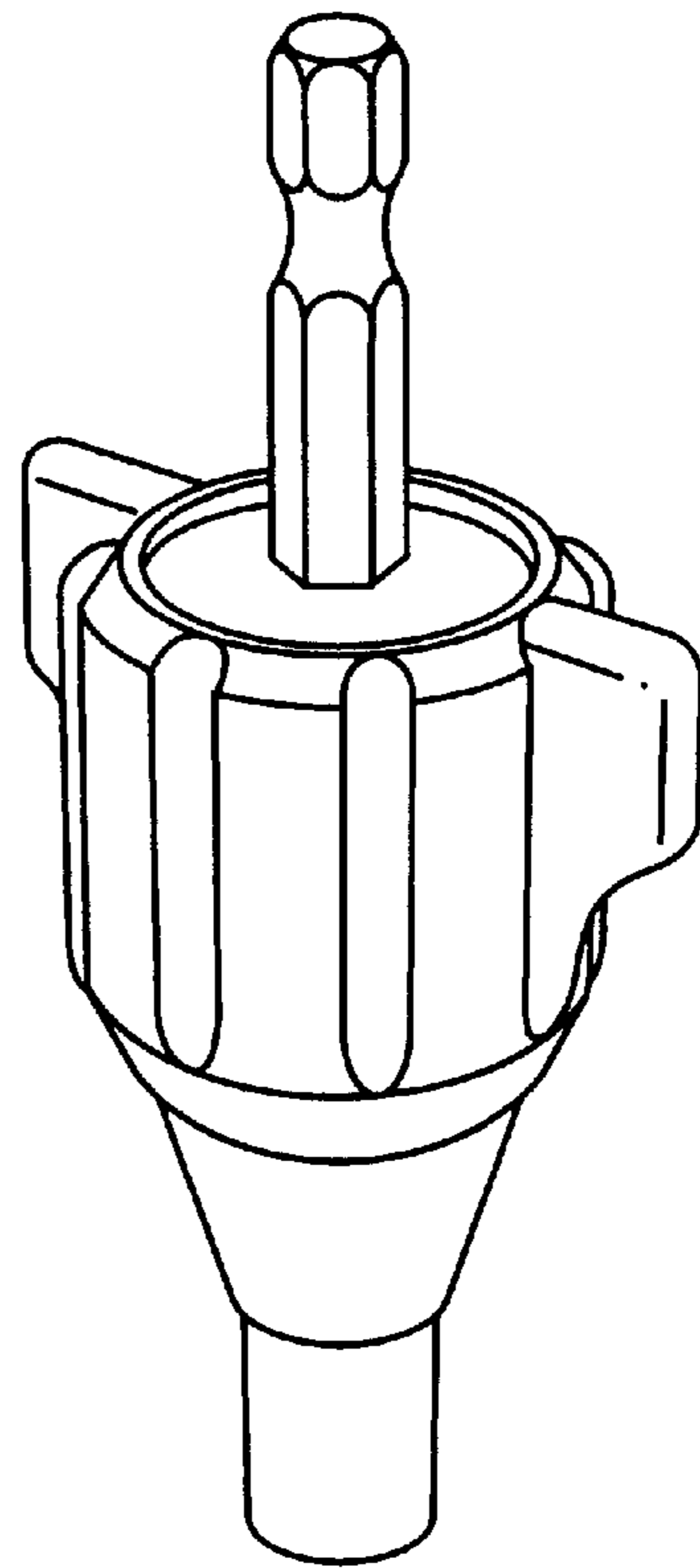


FIGURE 4

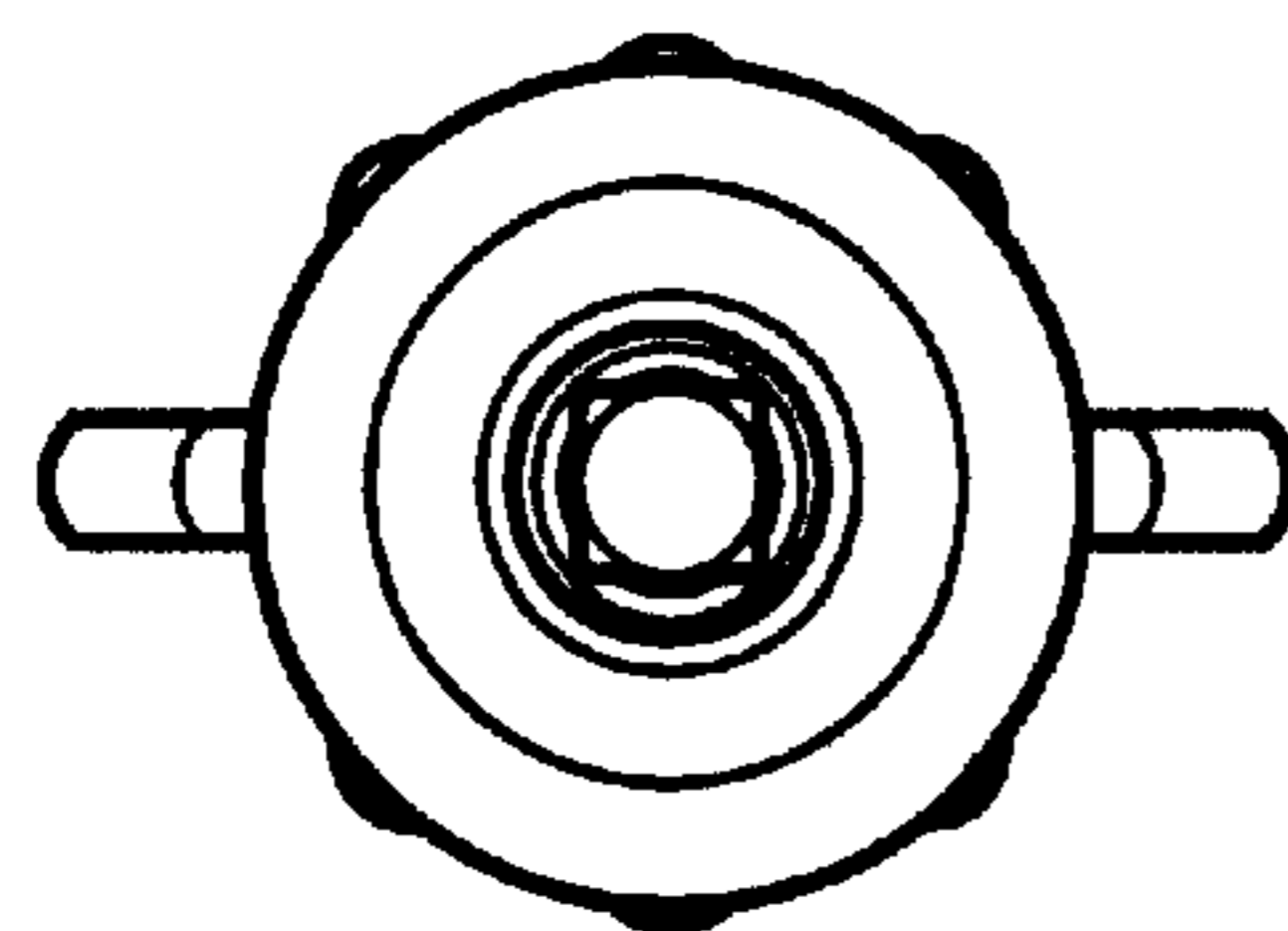


FIGURE 3