



US00D472113S

(12) **United States Design Patent**
Seifert

(10) **Patent No.:** **US D472,113 S**

(45) **Date of Patent:** **** Mar. 25, 2003**

(54) **PORTABLE LUNCHBOX**

(76) Inventor: **Andrea A. Seifert**, 24 Weaver St., New Bedford, MA (US) 02740-1239

(**) Term: **14 Years**

(21) Appl. No.: **29/146,806**

(22) Filed: **Aug. 16, 2001**

(51) **LOC (7) Cl.** **07-99**

(52) **U.S. Cl.** **D7/709**

(58) **Field of Search** D7/605, 607, 629, D7/709, 710; D3/201, 203, 273, 276, 287; 206/223, 541-549; 220/915.1, 915.2, 592.2

(56) **References Cited**

U.S. PATENT DOCUMENTS

3,759,356	A	*	9/1973	Bostick et al.	D3/283	X
D302,904	S	*	8/1989	Dunkfeld, Jr.	D7/709	
D340,624	S	*	10/1993	Chen	D7/709	
D401,478	S	*	11/1998	Greenway et al.	D7/709	X

* cited by examiner

Primary Examiner—Terry A. Wallace

(74) *Attorney, Agent, or Firm*—Ronald R. Kilponen

(57) **CLAIM**

I claim the ornamental design for the portable lunchbox, as shown and described.

DESCRIPTION

FIG. 1 is an exploded front perspective view of the portable lunchbox showing the new design;

FIG. 2 is a perspective view thereof;

FIG. 3 is a top view of the opened inner element thereof;

FIG. 4 is a top perspective view of the closed inner element thereof;

FIG. 5 is a cross sectional view through line 5—5 of FIG. 2;

FIG. 6 is a side view thereof;

FIG. 7 is a bottom view thereof; and,

FIG. 8 is a top view thereof.

The broken lines are for illustrative purposes only and form no part of the claimed design.

1 Claim, 6 Drawing Sheets

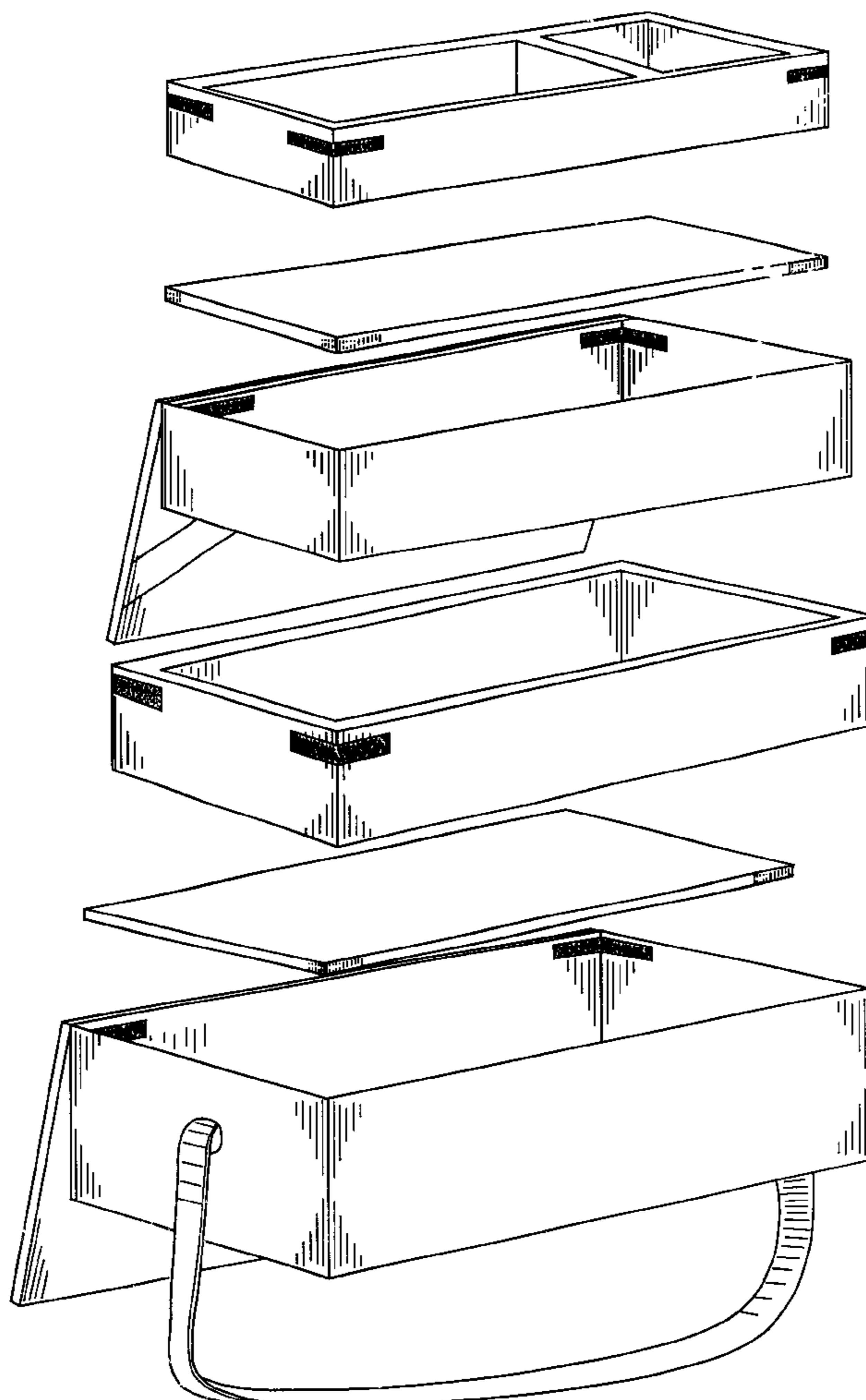


FIG. 1

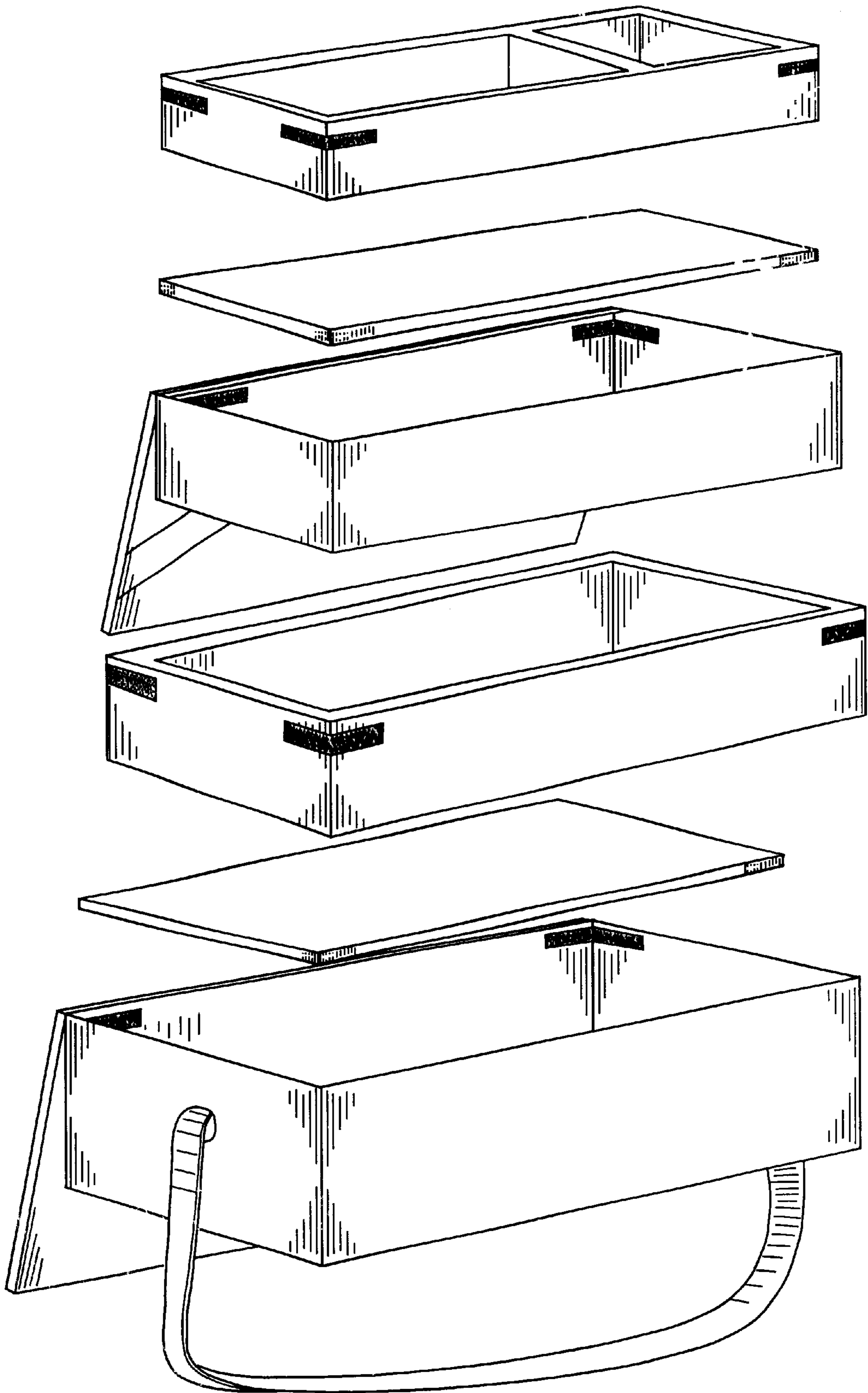


FIG. 2

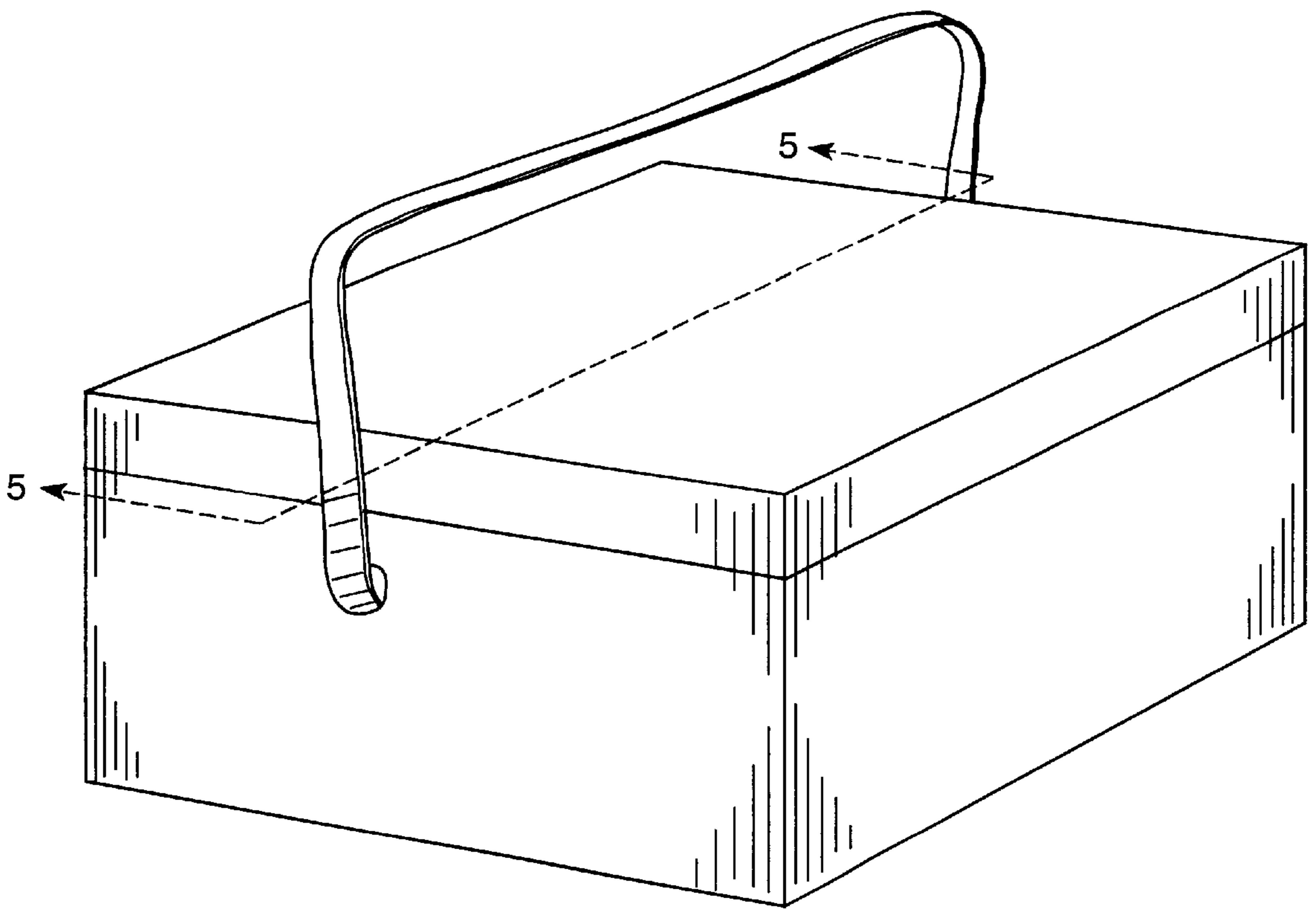


FIG. 3

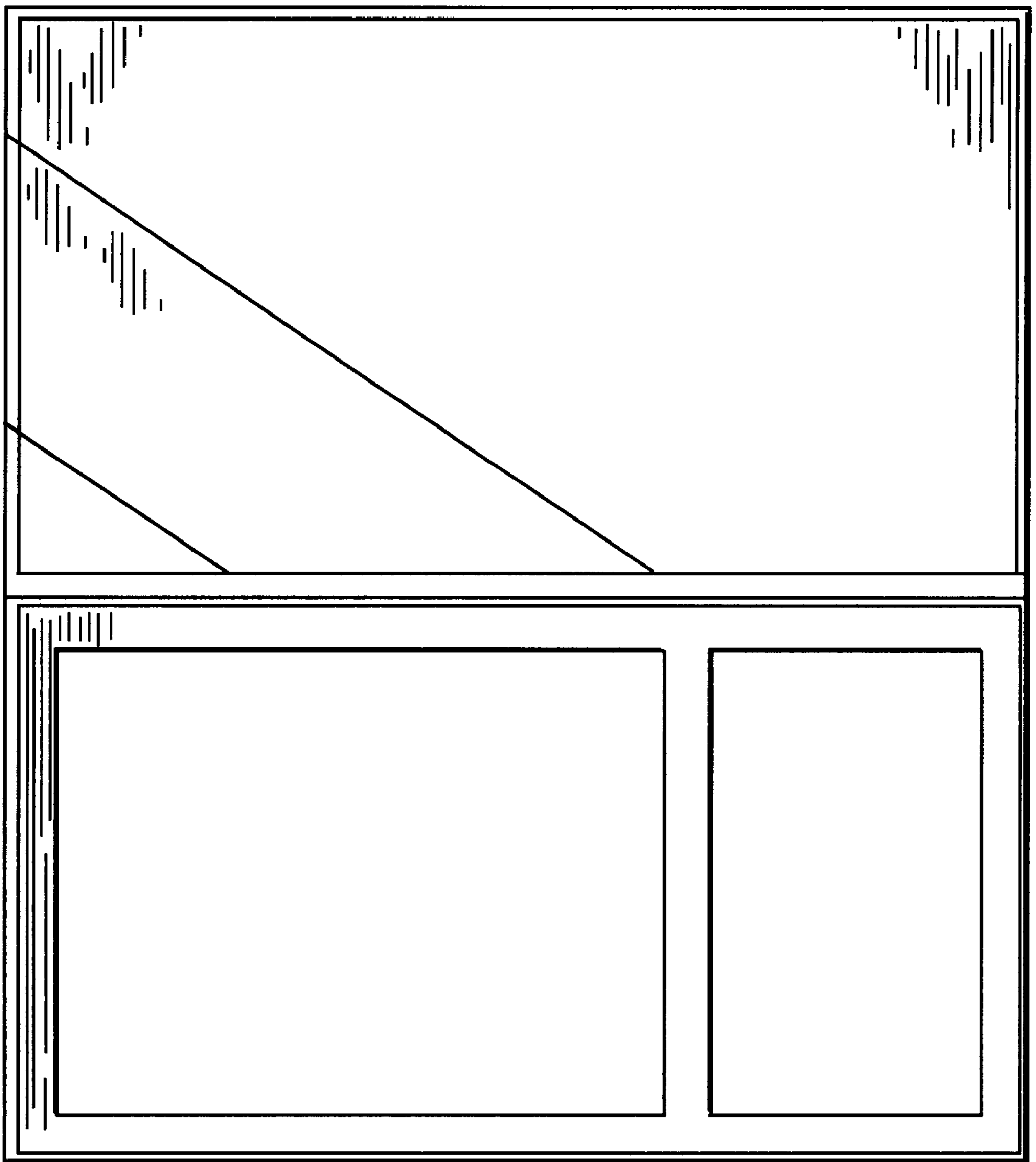
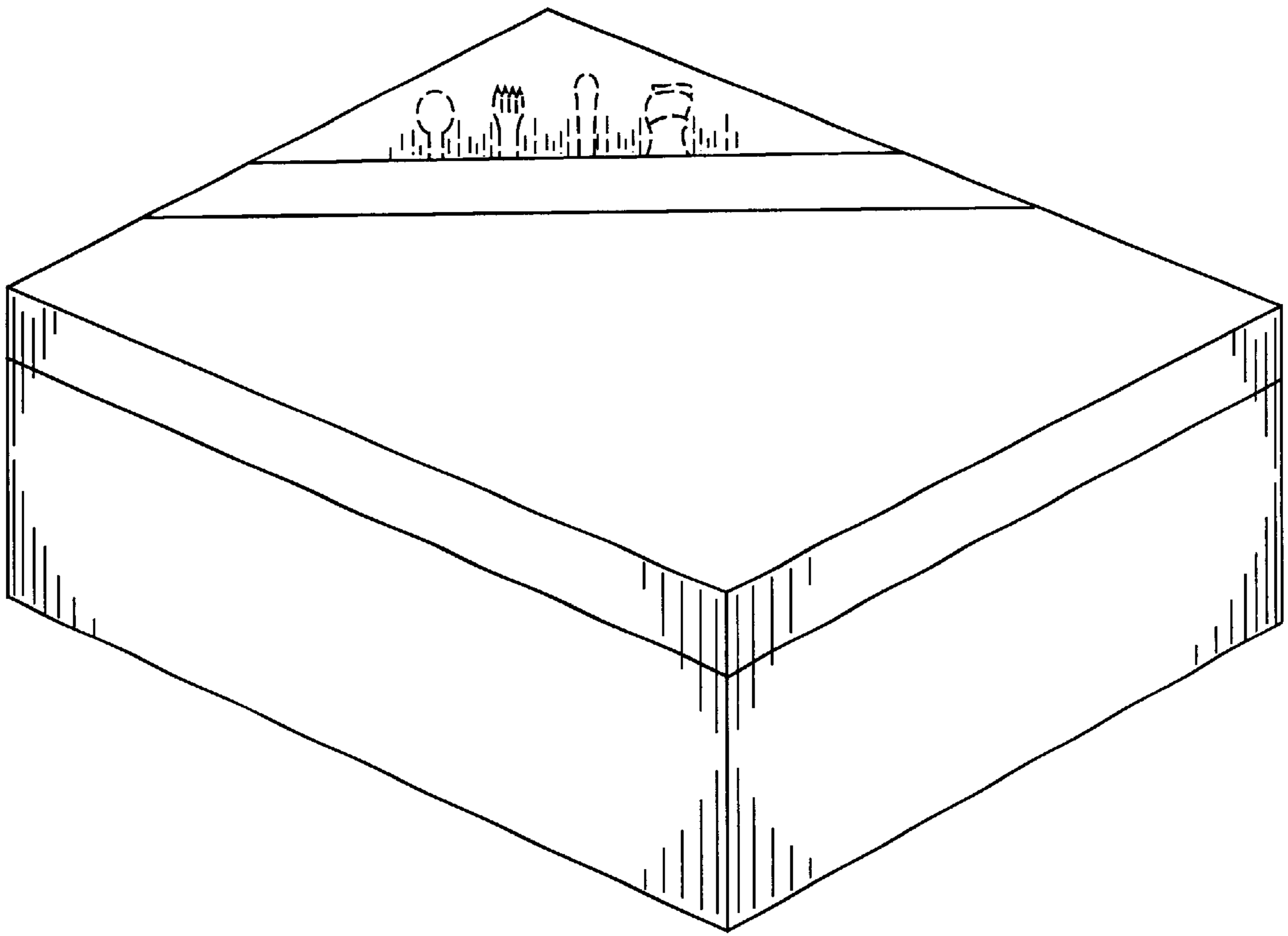


FIG. 4



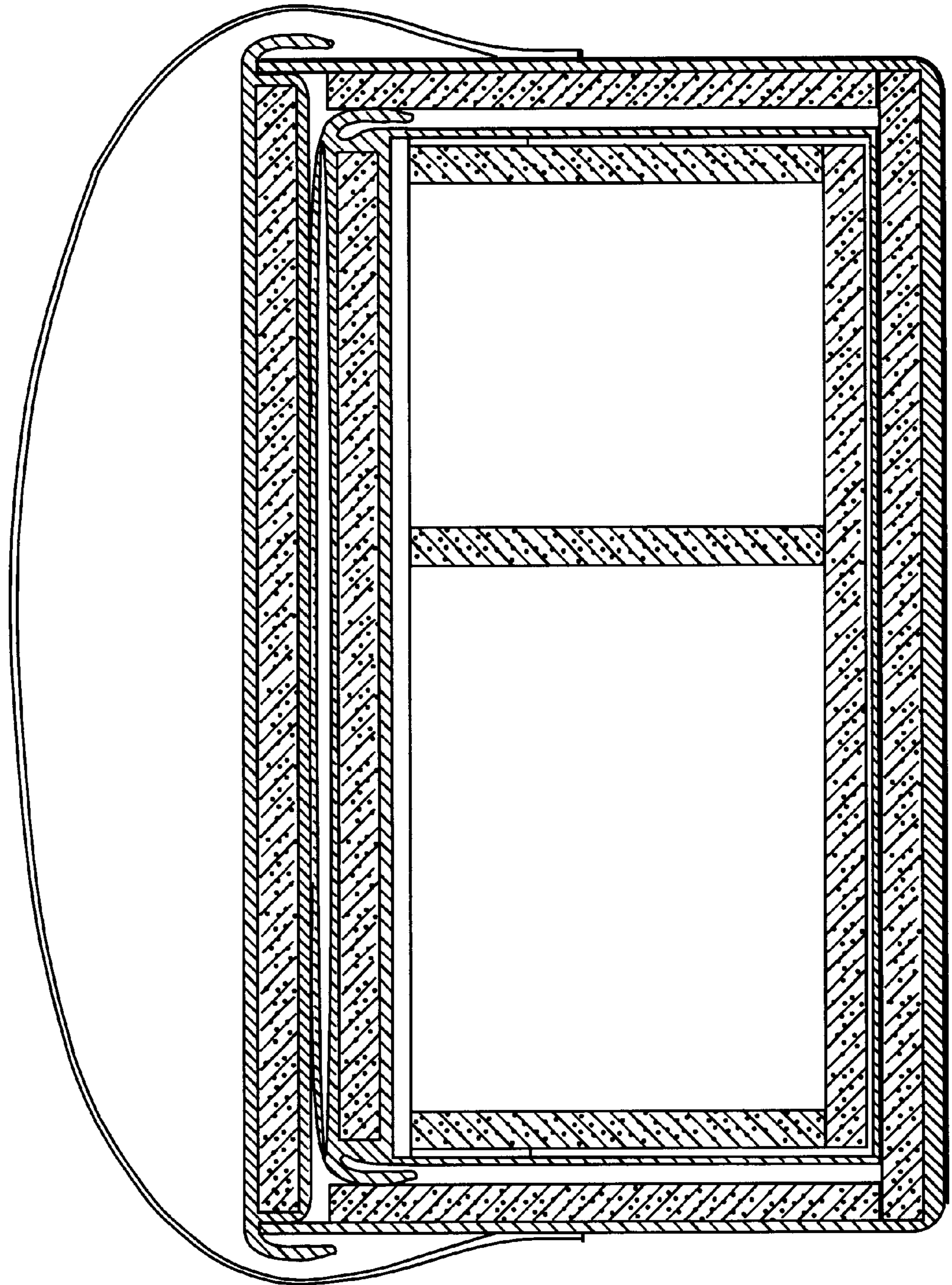


FIG. 5

FIG. 6

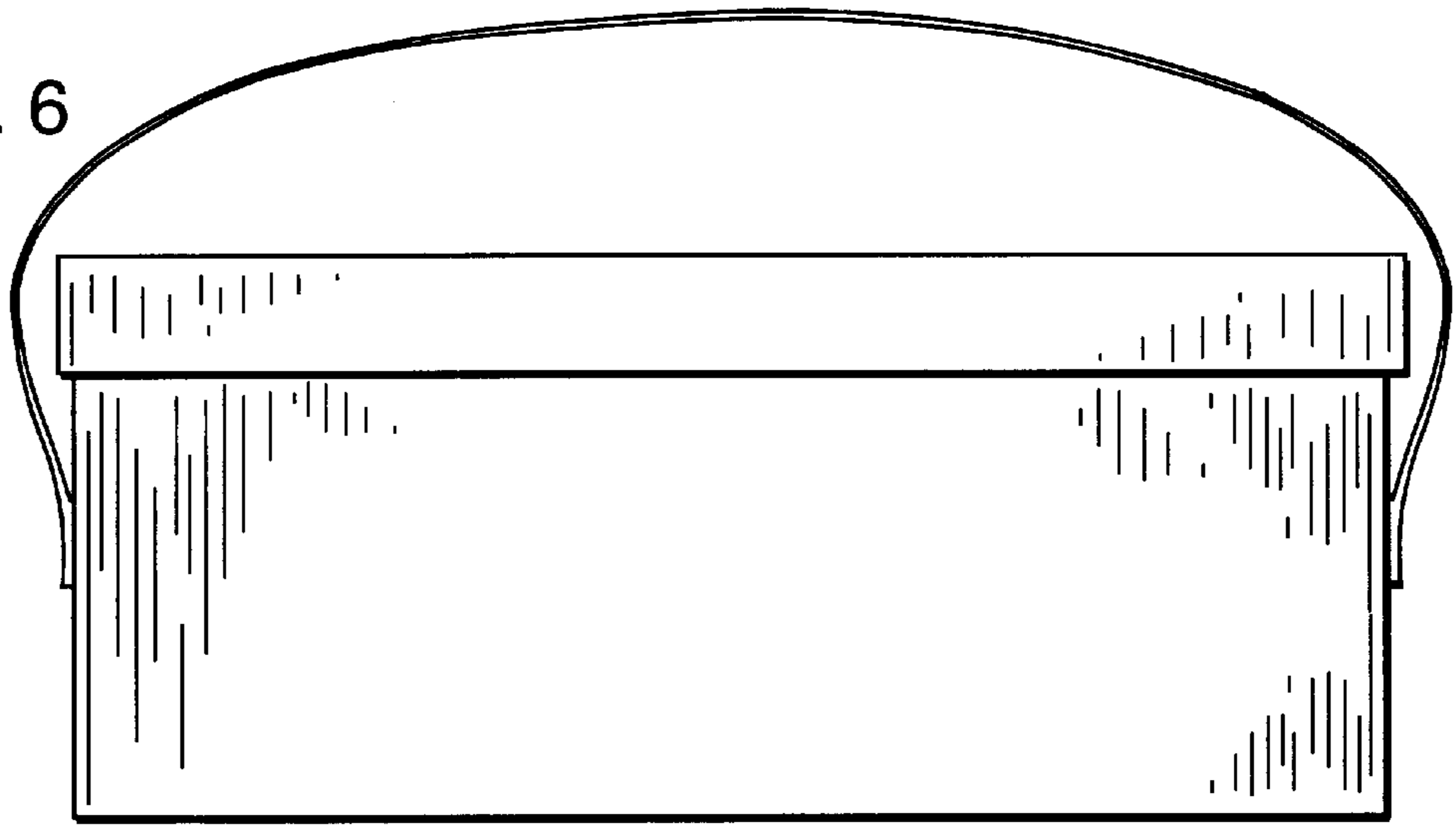


FIG. 7

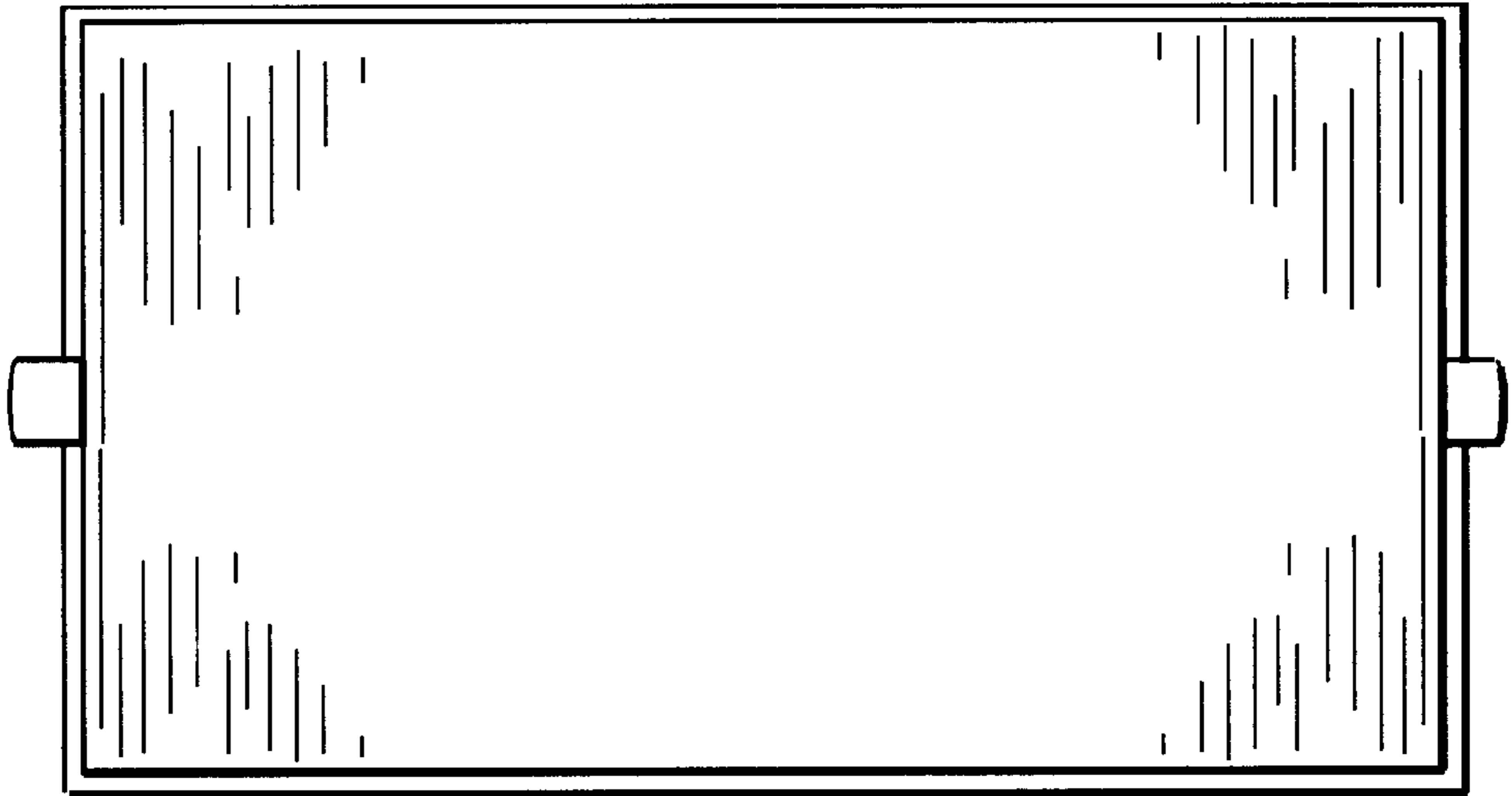


FIG. 8

