



US00D472112S

(12) **United States Design Patent**
Bertke

(10) **Patent No.:** **US D472,112 S**

(45) **Date of Patent:** **** Mar. 25, 2003**

(54) **FOOD SCOOP**

(75) Inventor: **Patrick J. Bertke**, Columbus, OH (US)

(73) Assignee: **Trident Designs, LLC**, Columbus, OH (US)

(**) Term: **14 Years**

(21) Appl. No.: **29/155,589**

(22) Filed: **Feb. 13, 2002**

(51) **LOC (7) Cl.** **07-02**

(52) **U.S. Cl.** **D7/691**

(58) **Field of Search** D7/691, 692, 688;
D32/46; D8/14, 16, 19, 20, 47, 88; 15/143.1,
236.01; 294/27.1; 30/169, 314

(56) **References Cited**

U.S. PATENT DOCUMENTS

D23,068	S	*	2/1894	Leggett	D32/46
1,872,887	A	*	8/1932	Casse	30/169
2,501,588	A	*	3/1950	Somers	D7/691 X
3,365,227	A	*	1/1968	Wildgen	294/27.1
D224,603	S	*	8/1972	Wetzel	D32/46
D241,603	S	*	9/1976	MacNeil	D7/691
D383,267	S	*	9/1997	Emmerth	D32/46
D394,371	S	*	5/1998	Cousins	D7/691

* cited by examiner

Primary Examiner—Terry A. Wallace

(74) *Attorney, Agent, or Firm*—James R. Eley; Thompson Hine LLP

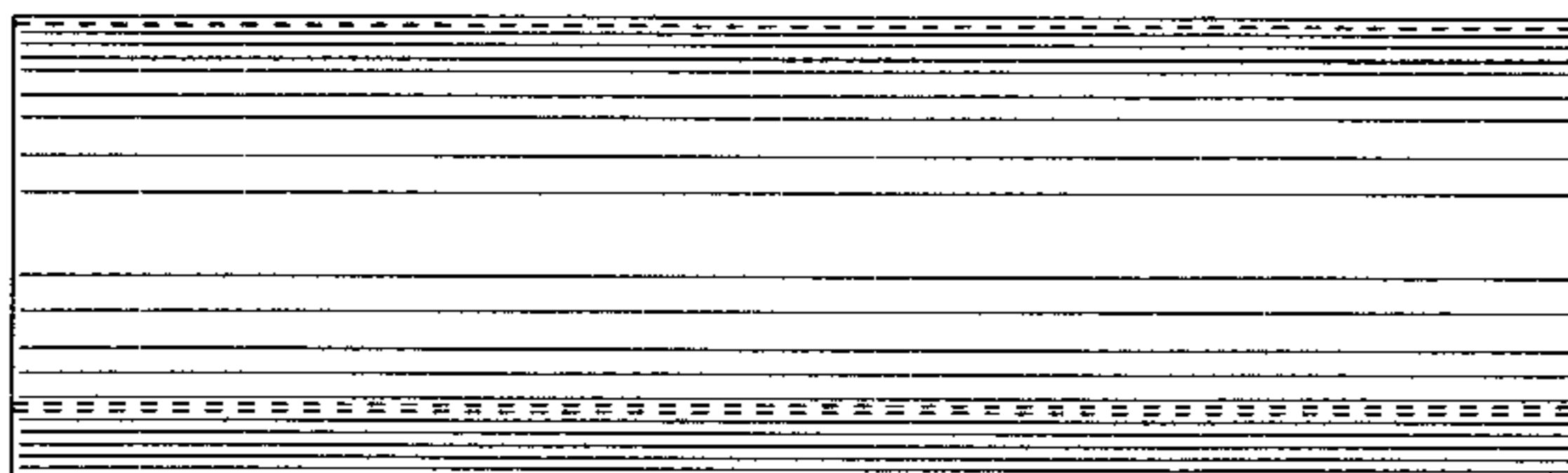
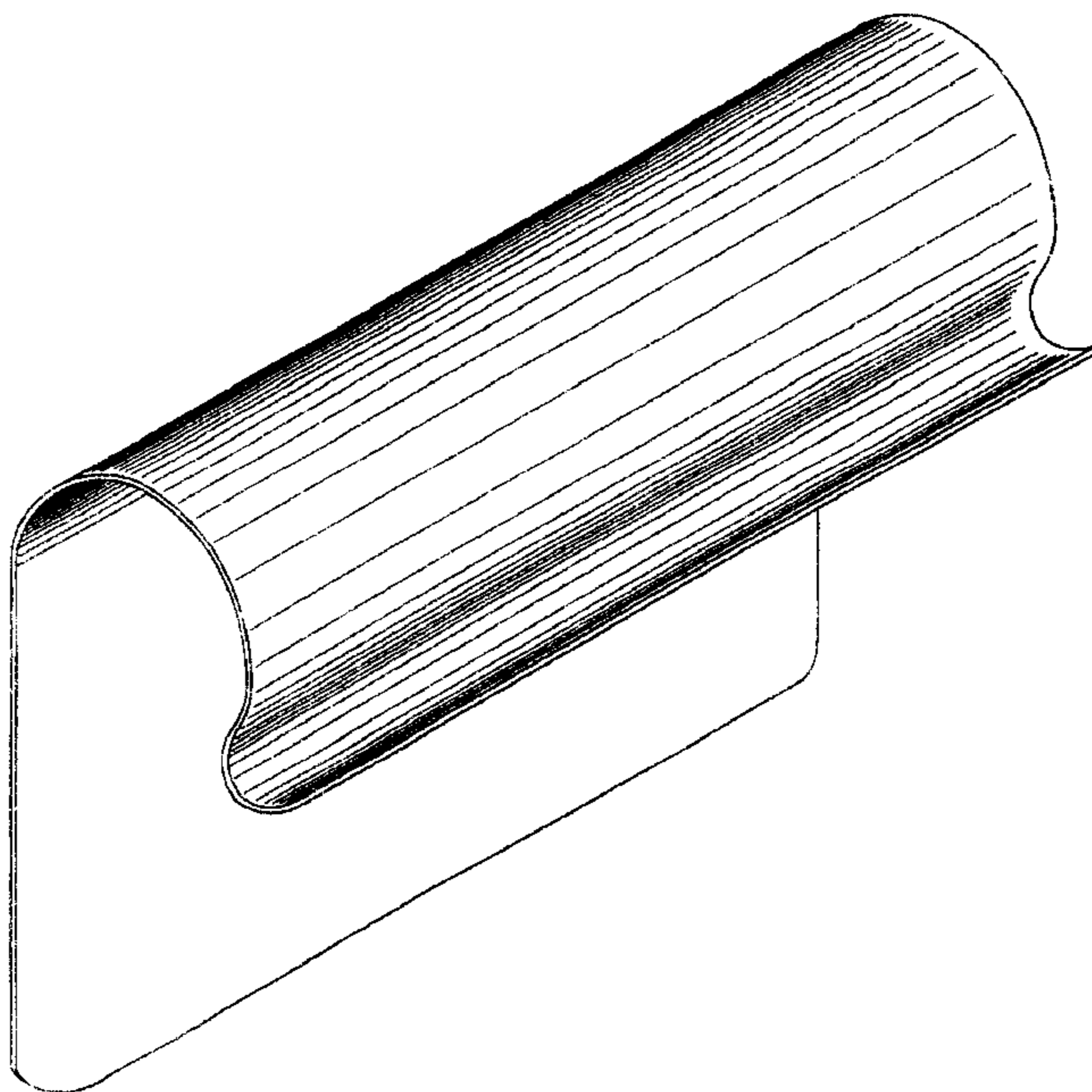
(57) **CLAIM**

The ornamental design for a food scoop, as shown and described.

DESCRIPTION

FIG. 1 is a perspective view of a food scoop according to one inventive embodiment;
 FIG. 2 is a rear elevational view thereof;
 FIG. 3 is a right side elevational view thereof;
 FIG. 4 is a left side elevational view thereof;
 FIG. 5 is a front elevational view thereof;
 FIG. 6 is a top plan view thereof;
 FIG. 7 is a bottom plan view thereof;
 FIG. 8 is a perspective view of a food scoop according to a second inventive embodiment;
 FIG. 9 is a rear elevational view thereof;
 FIG. 10 is a right side elevational view thereof;
 FIG. 11 is a left side elevational view thereof;
 FIG. 12 is a top plan view thereof;
 FIG. 13 is a front elevational view thereof; and,
 FIG. 14 is a bottom plan view thereof.

1 Claim, 6 Drawing Sheets



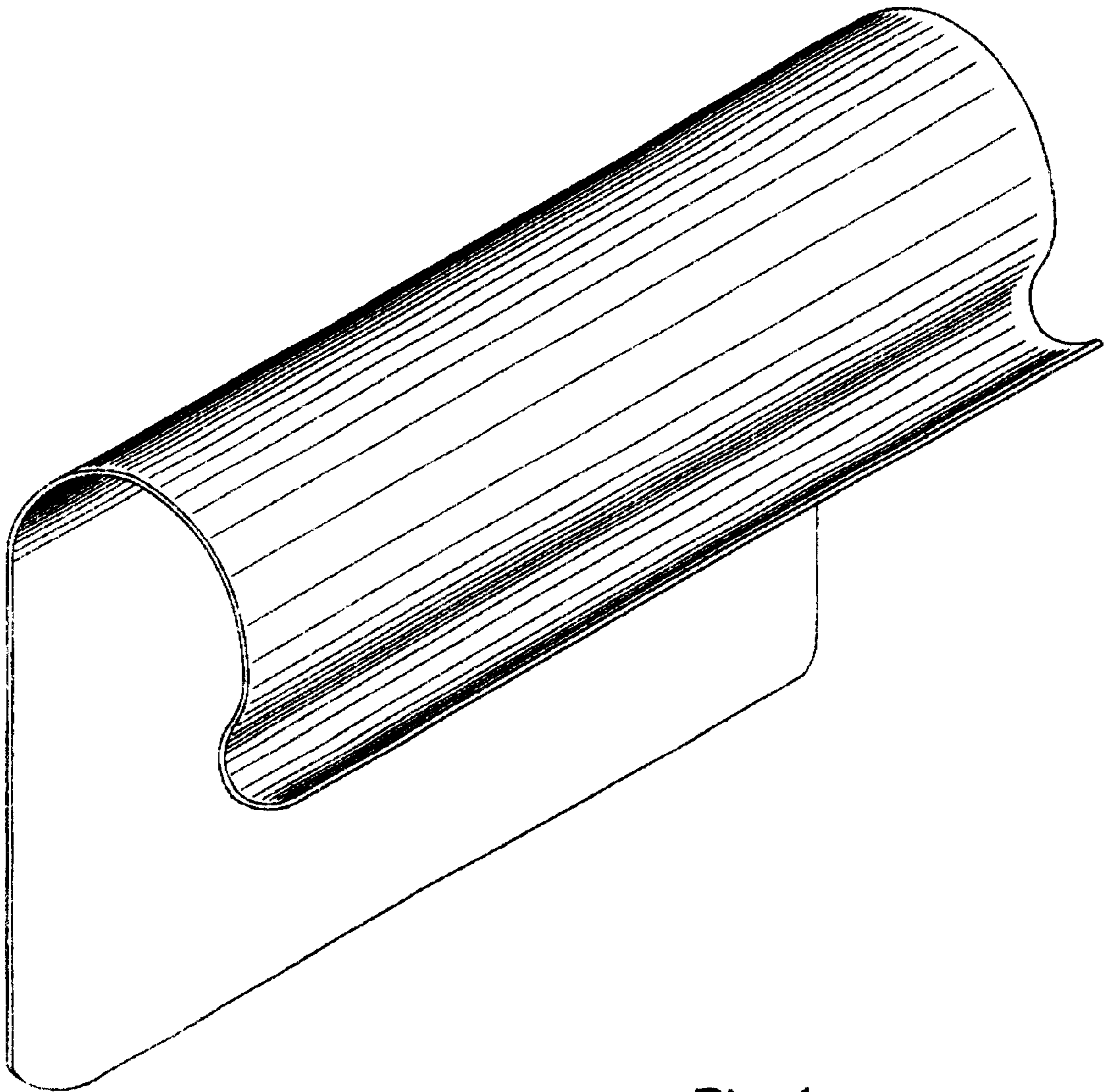


Fig. 1

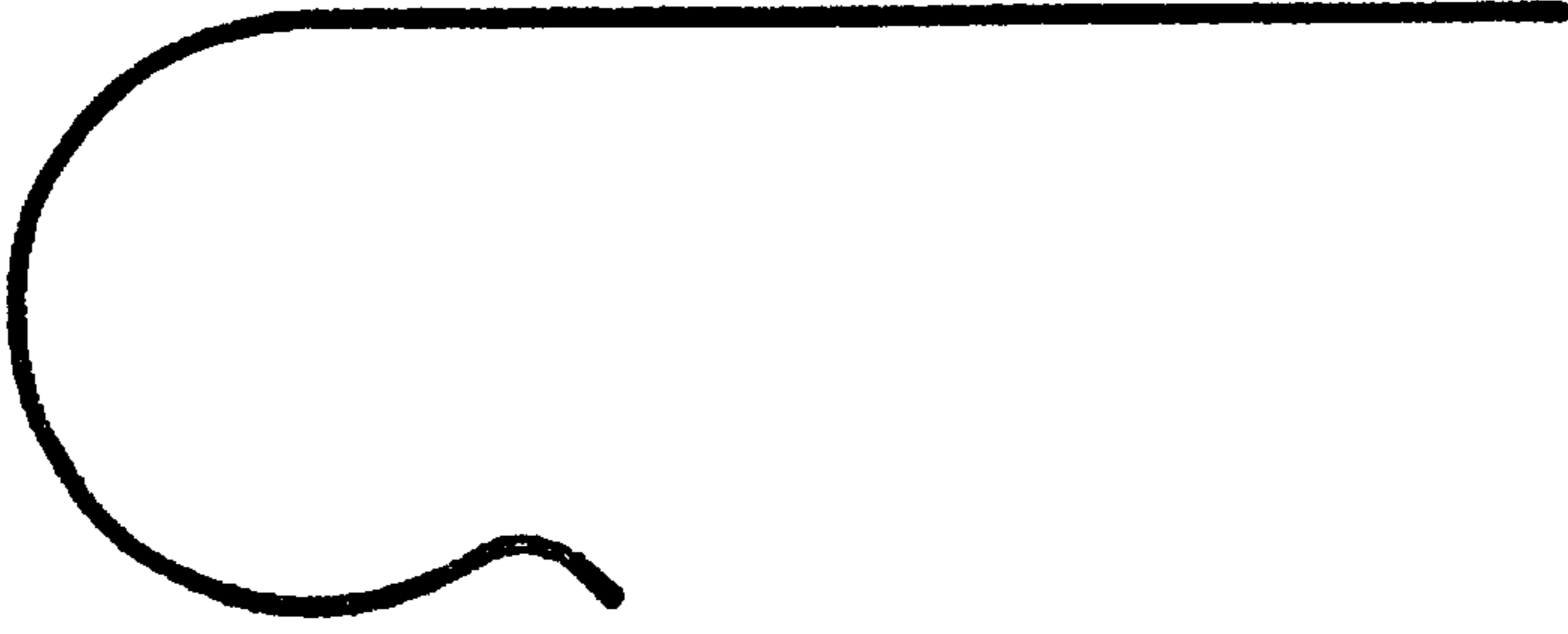


Fig. 4

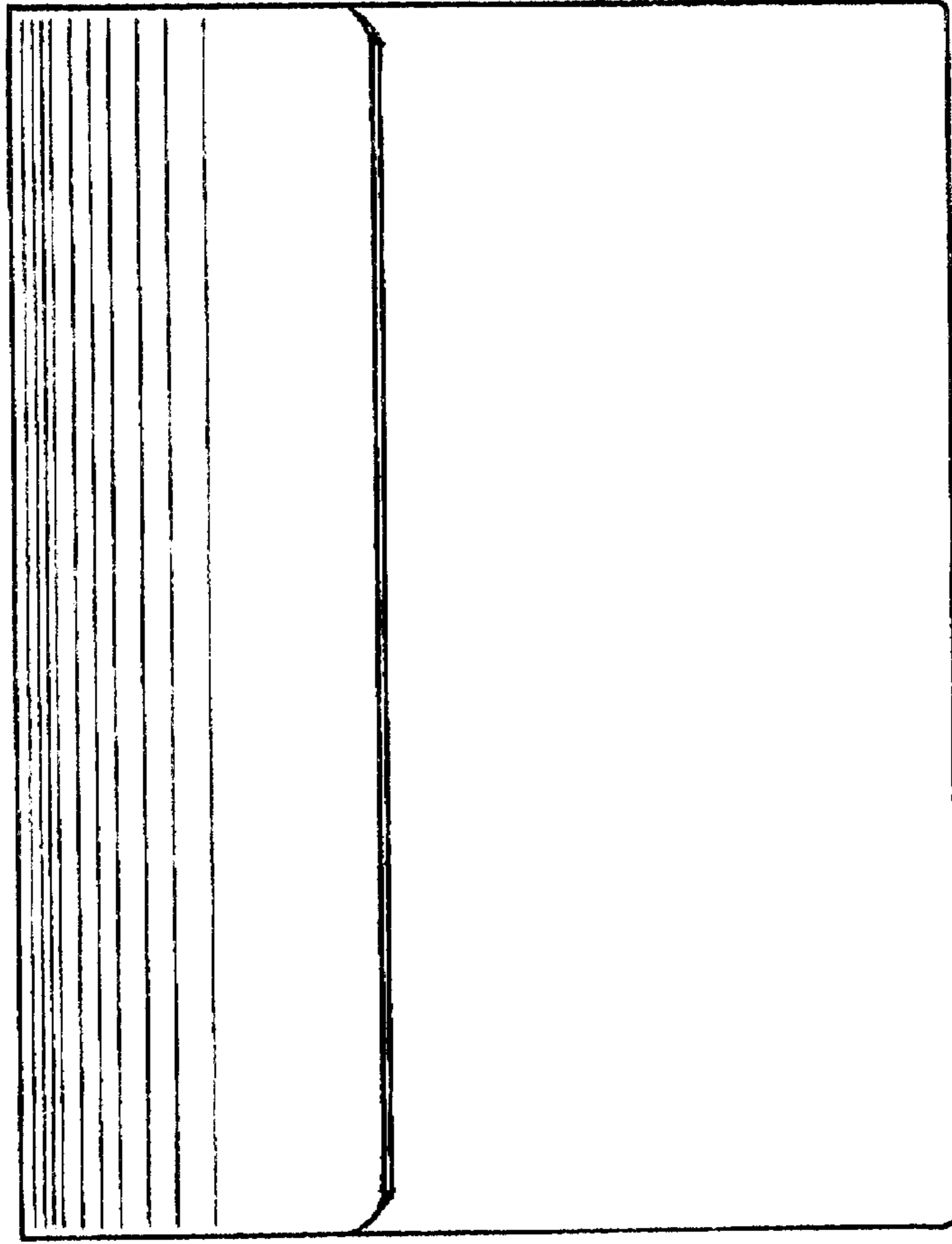


Fig. 2

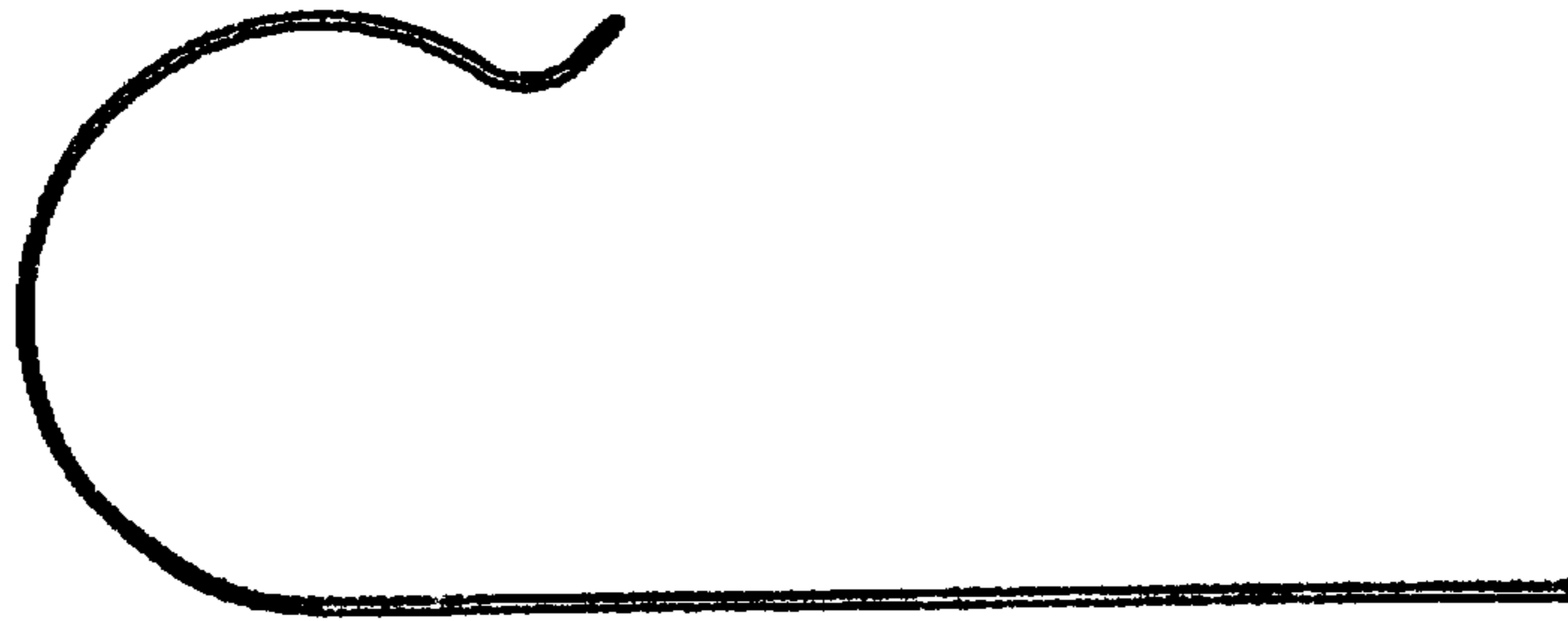


Fig. 3

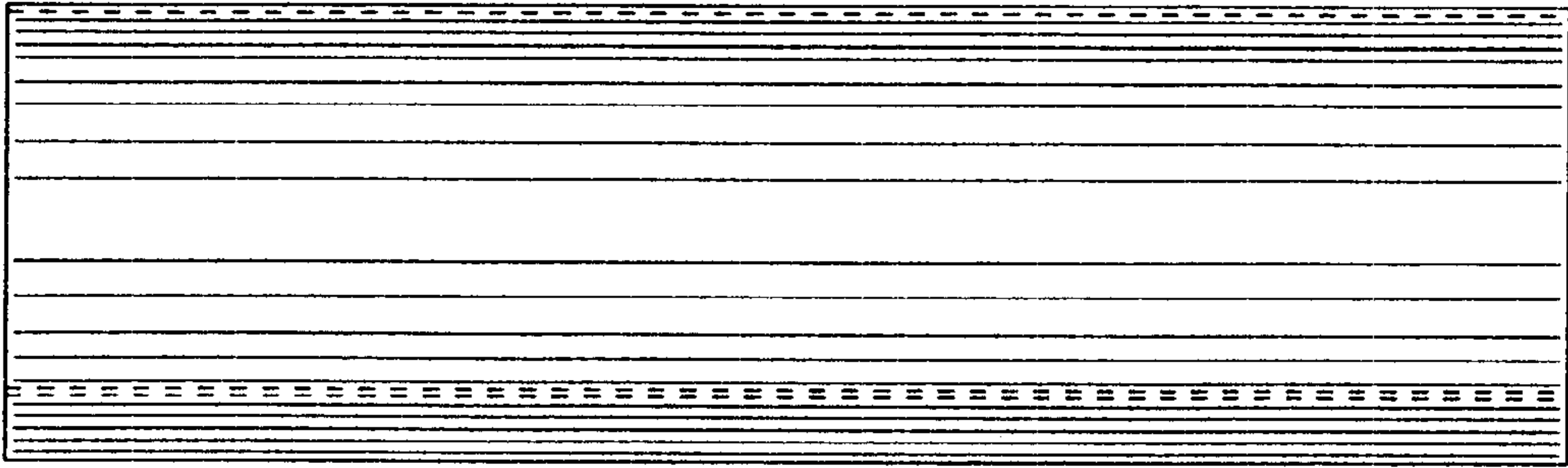


Fig. 6

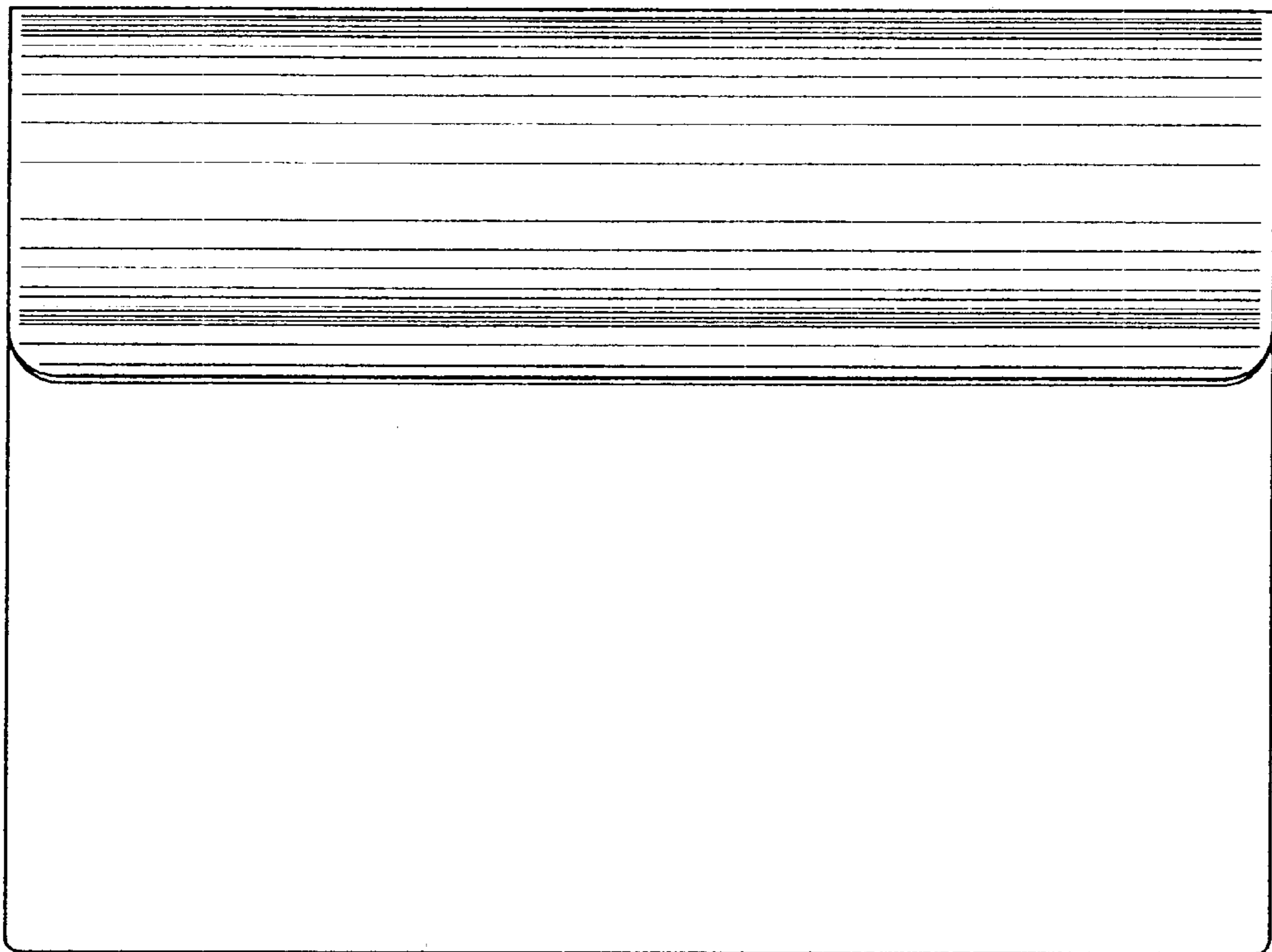


Fig. 5

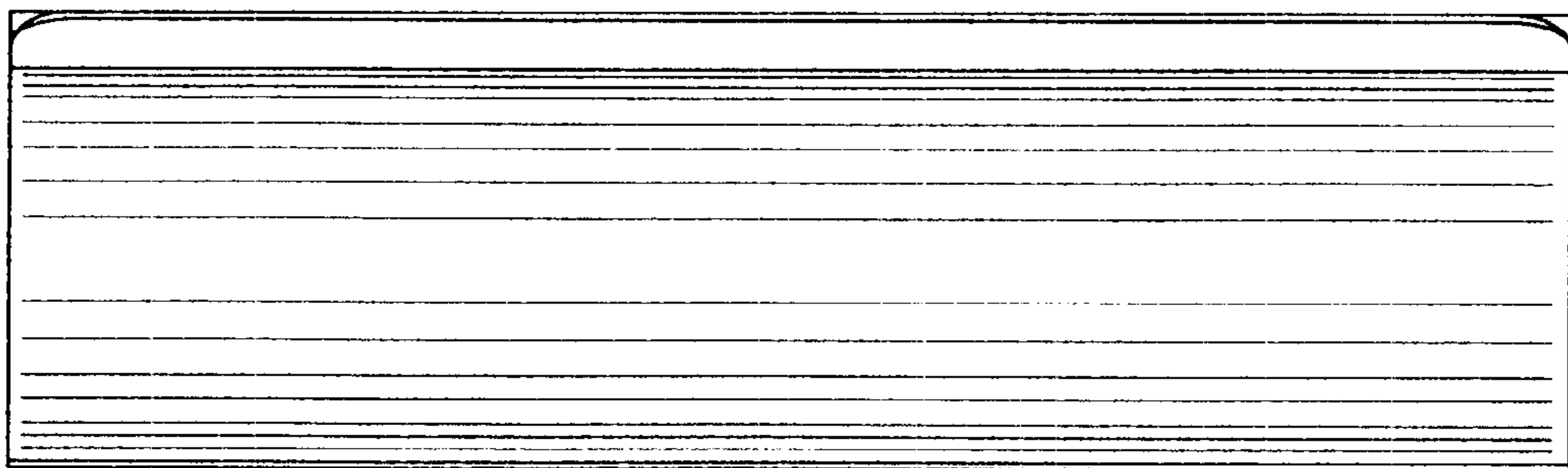


Fig. 7

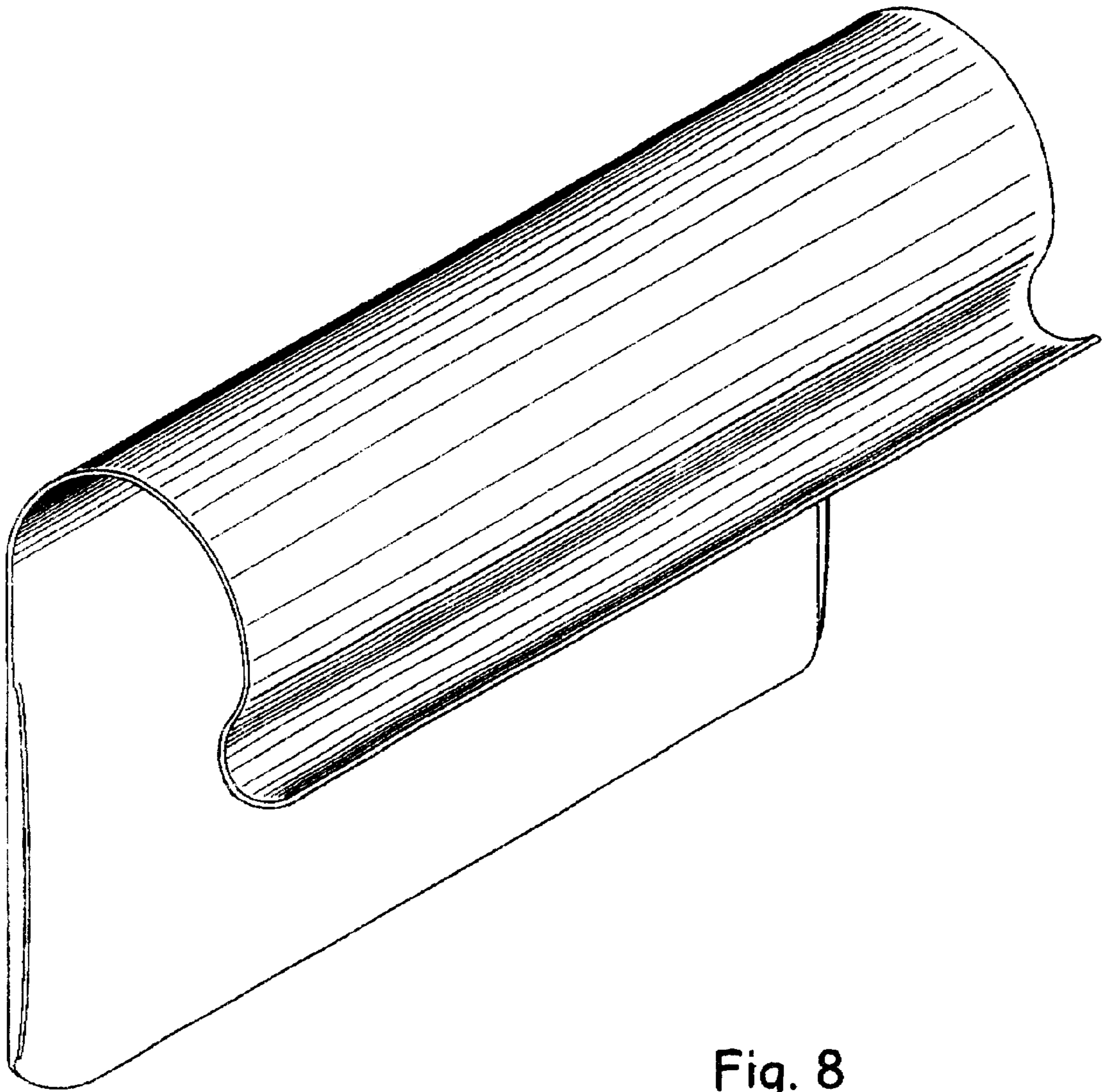


Fig. 8

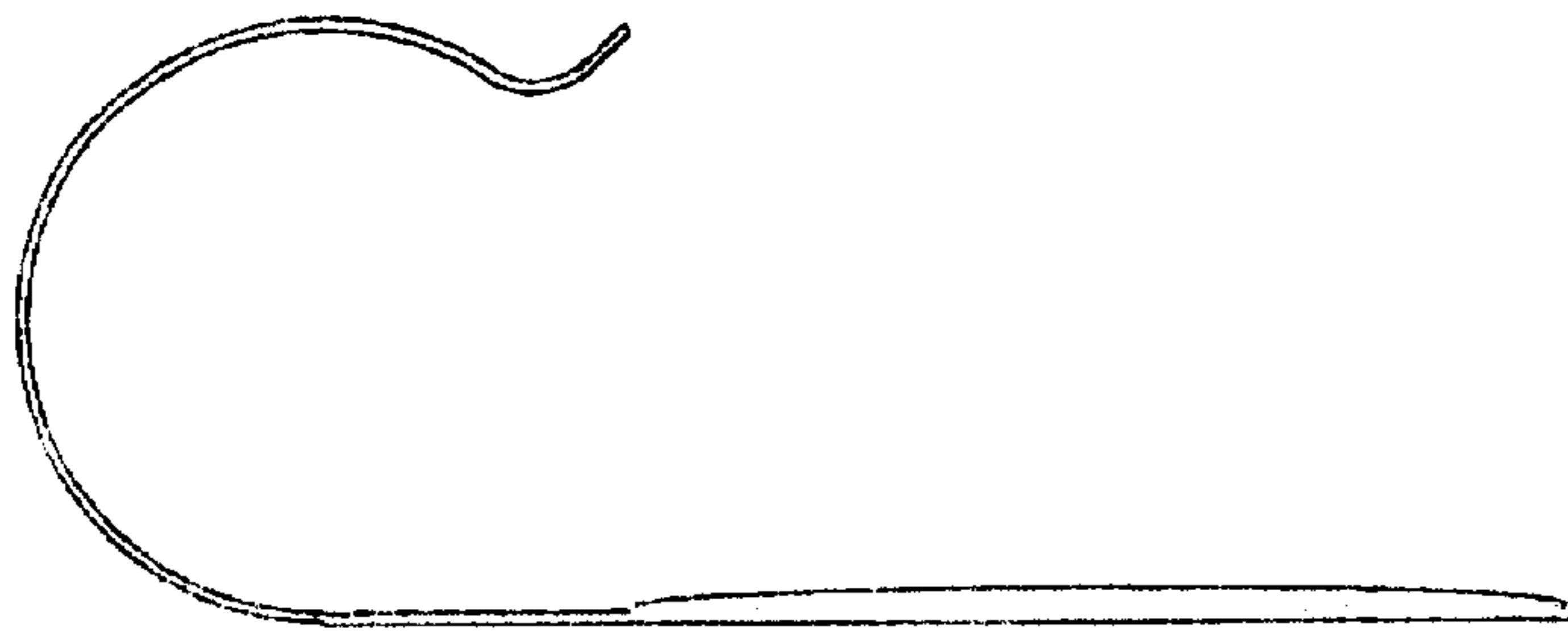
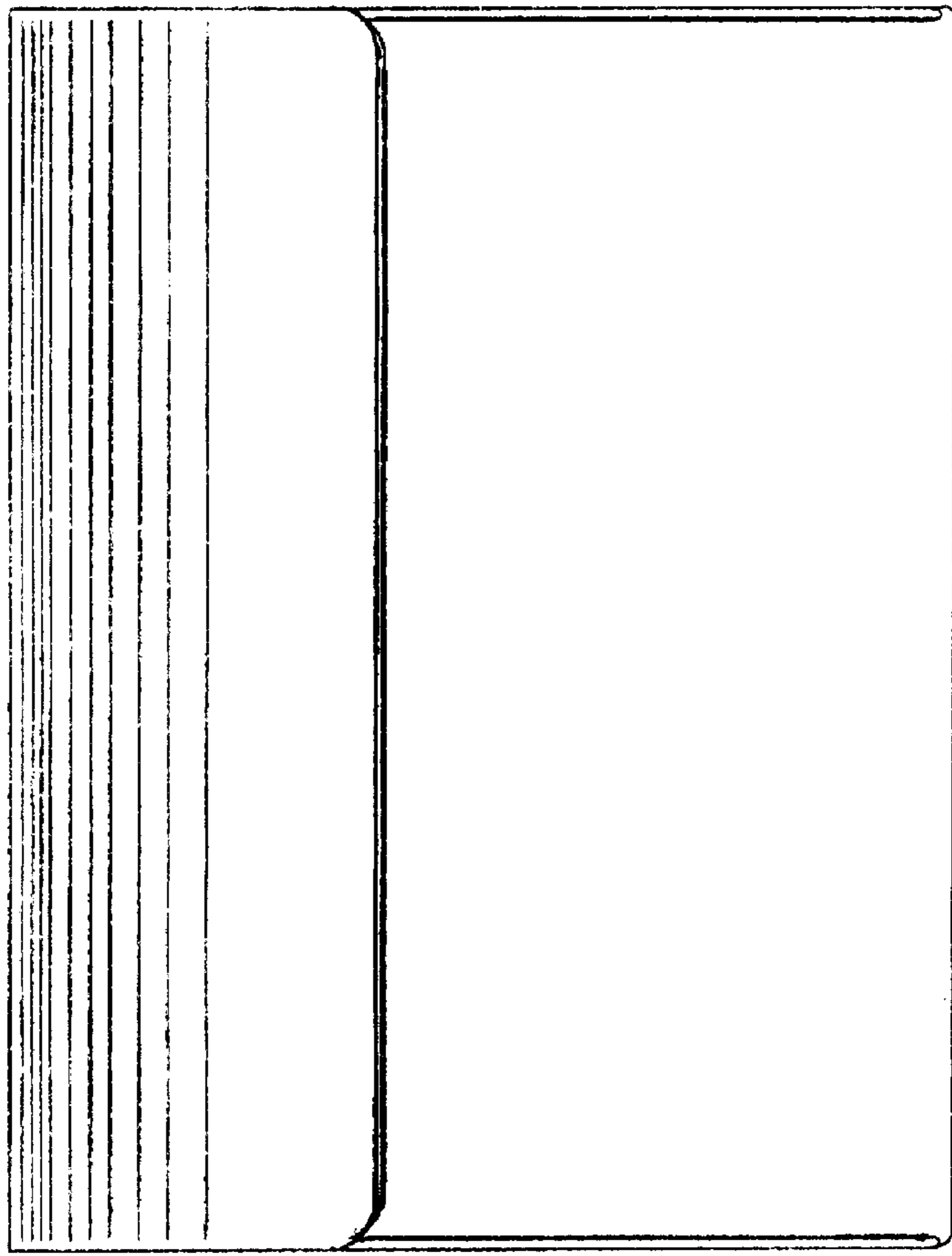
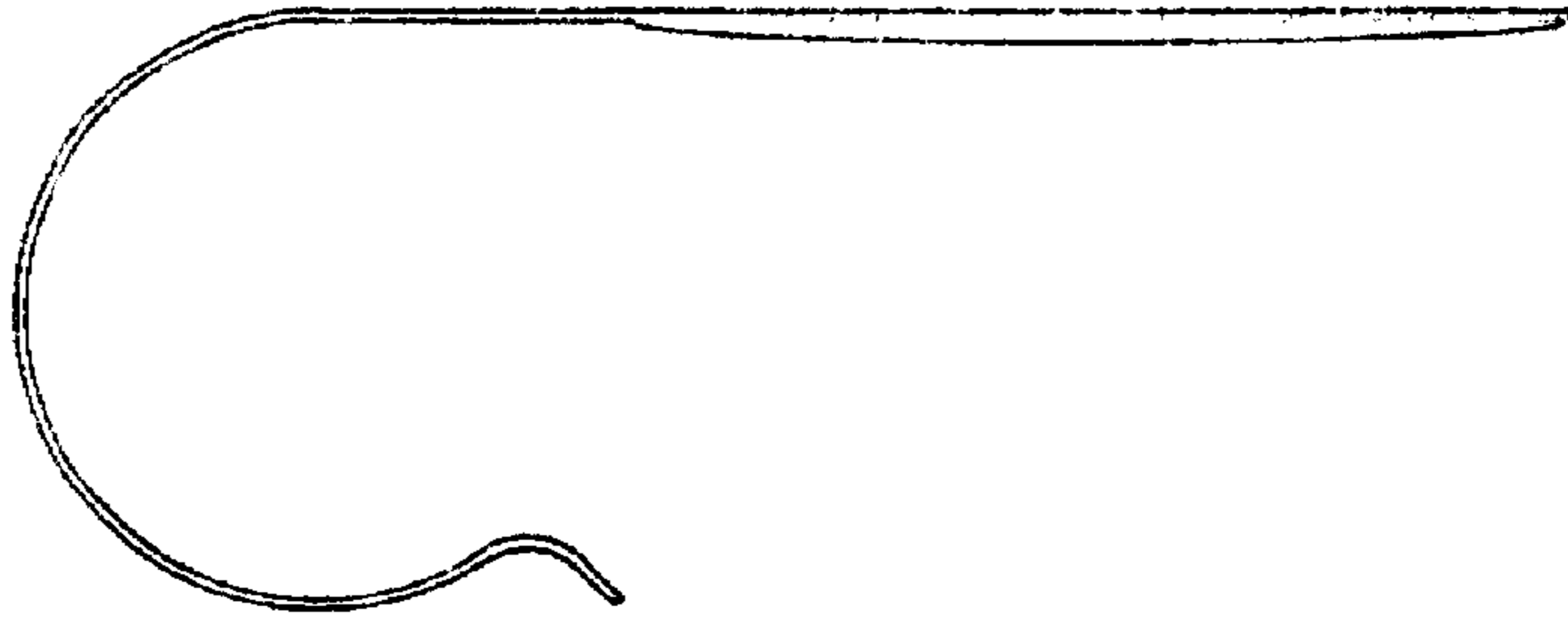


Fig. 11

Fig. 9

Fig. 10

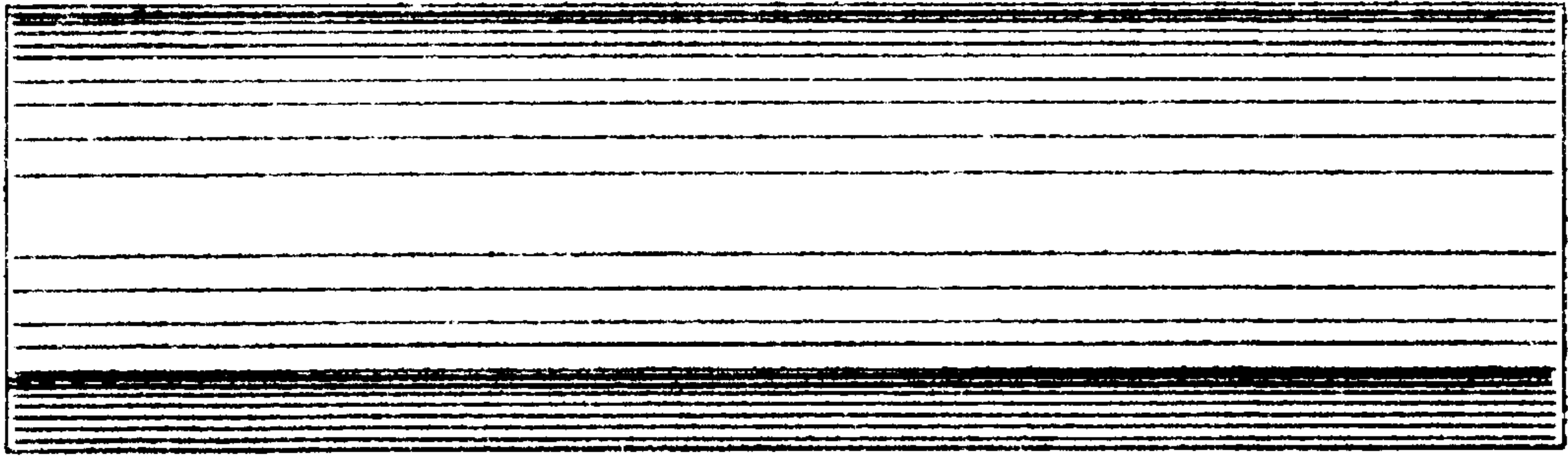


Fig. 12

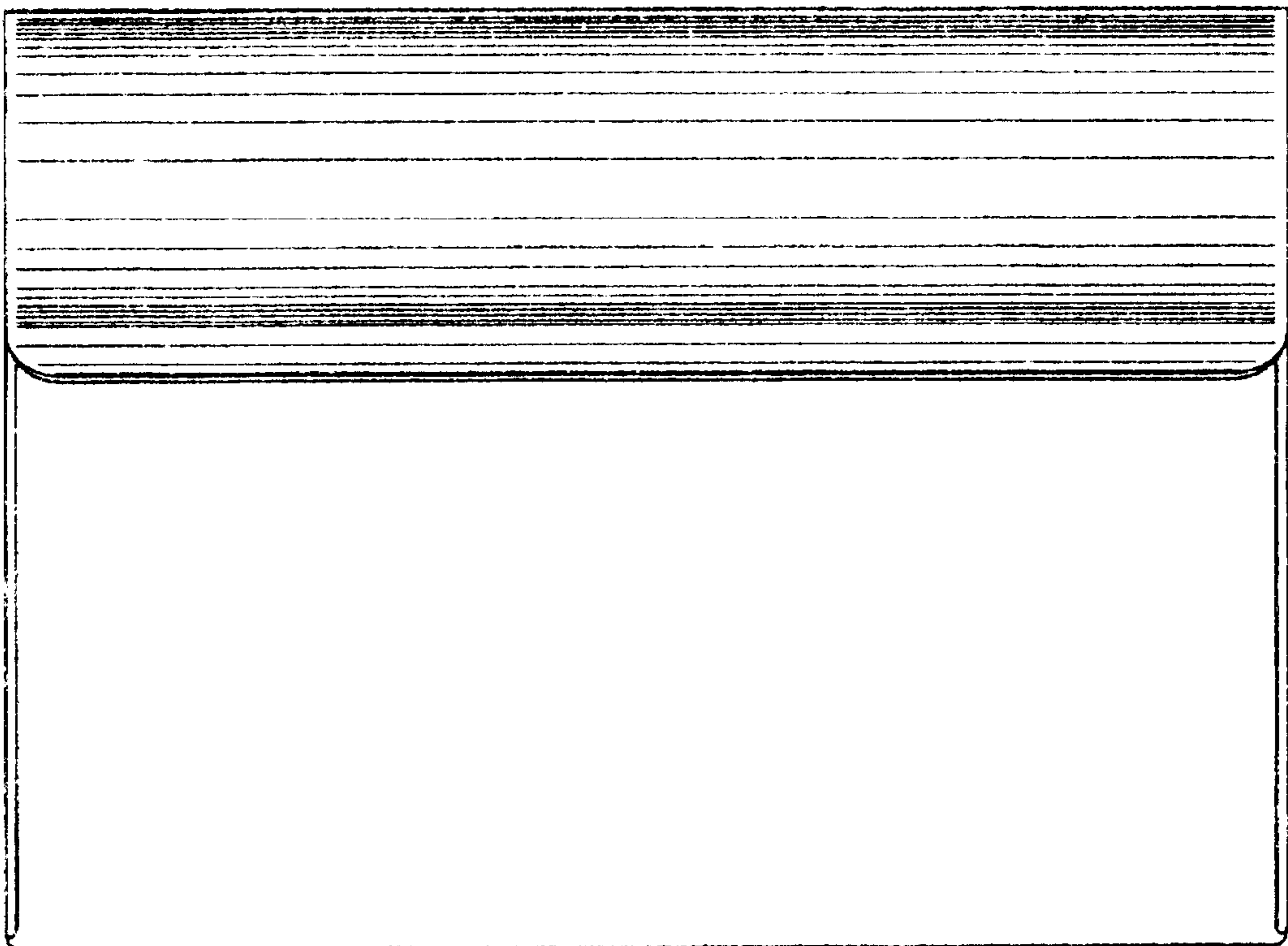


Fig. 13

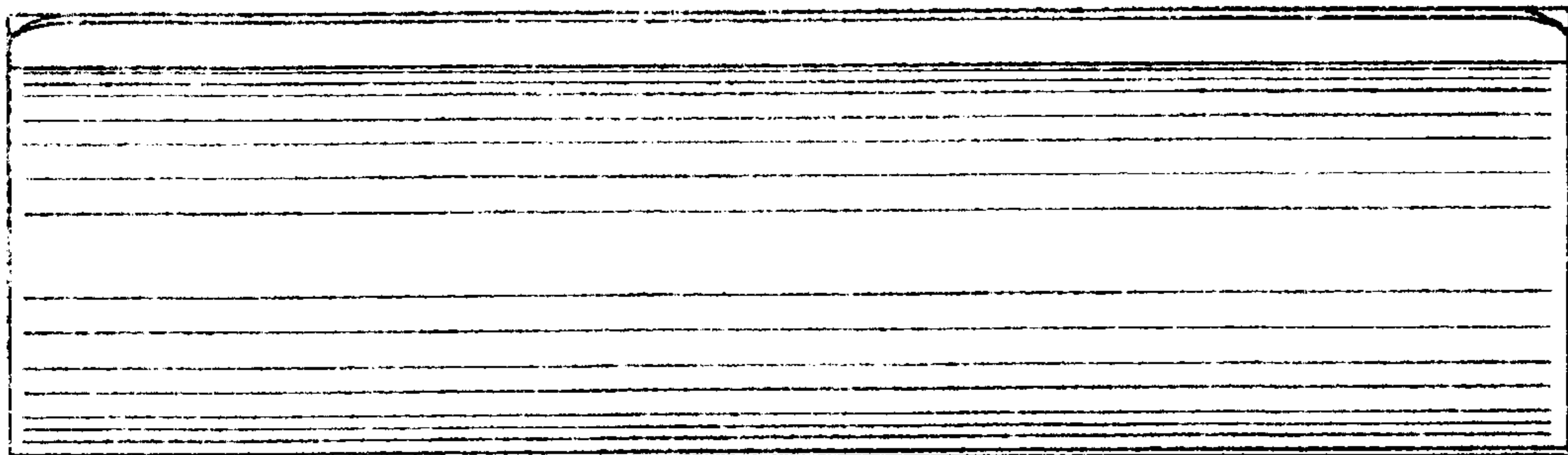


Fig. 14

UNITED STATES PATENT AND TRADEMARK OFFICE
CERTIFICATE OF CORRECTION

PATENT NO. : Des. 472,112 S
DATED : March 25, 2003
INVENTOR(S) : Patrick J. Bertke

Page 1 of 1


It is certified that error appears in the above-identified patent and that said Letters Patent is hereby corrected as shown below:

Title page,

Item [73], Assignee, "**Trident Designs LLC**" should be -- **Trident Design LLC** --.

Signed and Sealed this

Twenty-seventh Day of May, 2003

A handwritten signature in black ink, appearing to read "James E. Rogan", written over a horizontal line.

JAMES E. ROGAN
Director of the United States Patent and Trademark Office