



US00D472109S

(12) **United States Design Patent**
Marcuccilli

(10) **Patent No.:** **US D472,109 S**

(45) **Date of Patent:** **** Mar. 25, 2003**

(54) **DEVICE FOR STUFFING OLIVES**

(76) Inventor: **Martin J. Marcuccilli**, 300 Forest Ave.,
Roselle, IL (US) 60172

(**) Term: **14 Years**

(21) Appl. No.: **29/155,583**

(22) Filed: **Feb. 20, 2002**

(51) **LOC (7) Cl.** **07-04**

(52) **U.S. Cl.** **D7/669**

(58) **Field of Search** D7/368, 669; 30/113.1-113.3,
30/173, 1; 99/557, 559; 294/1.1, 3; 426/484,
485

(56) **References Cited**

U.S. PATENT DOCUMENTS

1,171,546 A	*	2/1916	Schnee	30/113.2
1,432,012 A	*	10/1922	Barndt	30/113.2
1,509,190 A	*	9/1924	Cook	30/113.2
4,619,046 A	*	10/1986	Goulter	30/113.2 X

* cited by examiner

Primary Examiner—Terry A. Wallace
(74) *Attorney, Agent, or Firm*—McHale & Slavin PA

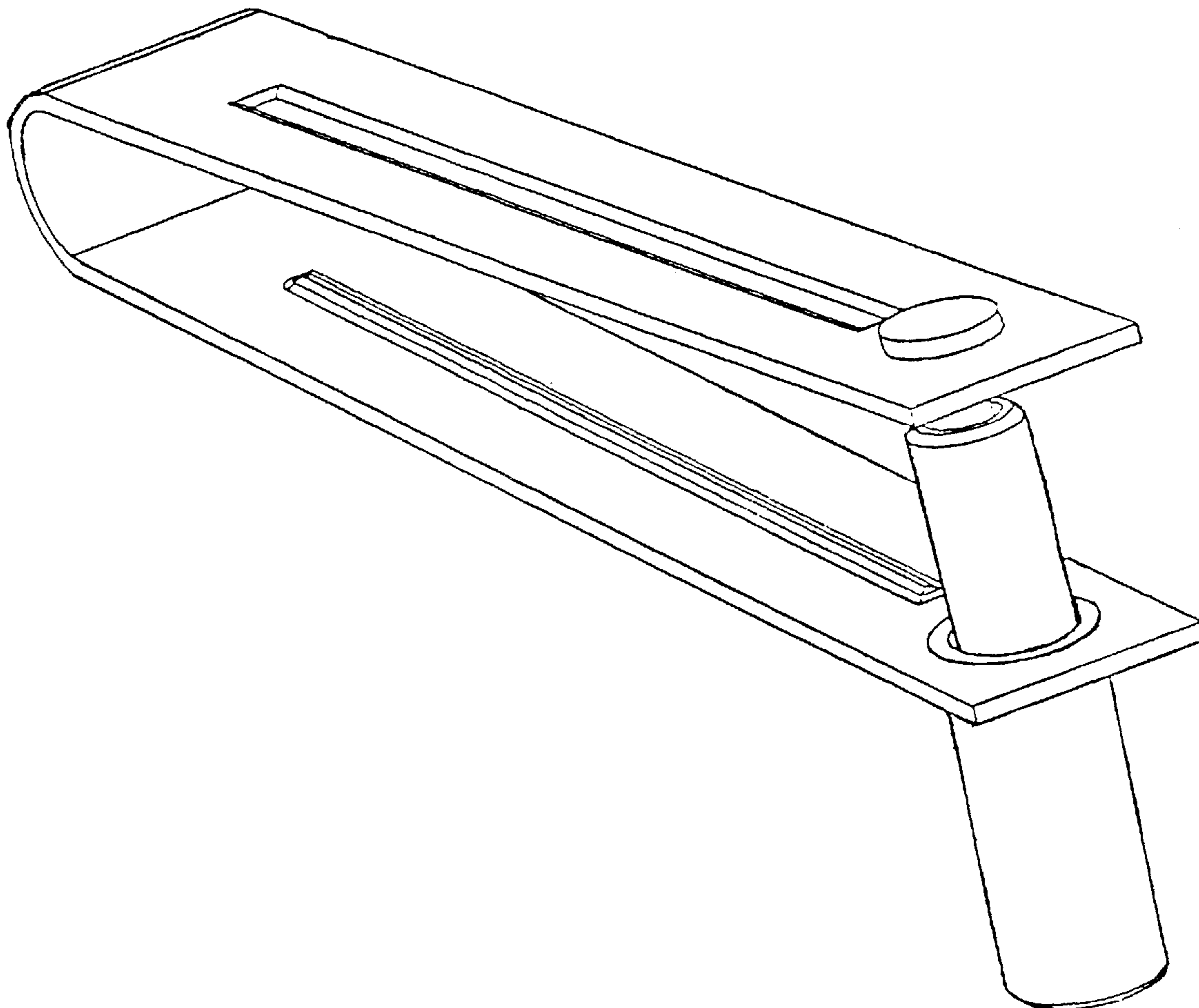
(57) **CLAIM**

The ornamental design for a device for stuffing olives, as shown and described.

DESCRIPTION

FIG. 1 is a perspective view of the device for stuffing olives of the invention;
FIG. 2 is a left side elevational view of the device for stuffing olives of FIG. 1;
FIG. 3 is a right side elevational view of the device for stuffing olives of FIG. 1;
FIG. 4 is a front end view of the device for stuffing olives of FIG. 1;
FIG. 5 is a rear view of the device for stuffing olives of FIG. 1;
FIG. 6 is a top plan view of the device for stuffing olives of FIG. 1; and,
FIG. 7 is a bottom plan view of the device for stuffing olives of FIG. 1.

1 Claim, 4 Drawing Sheets



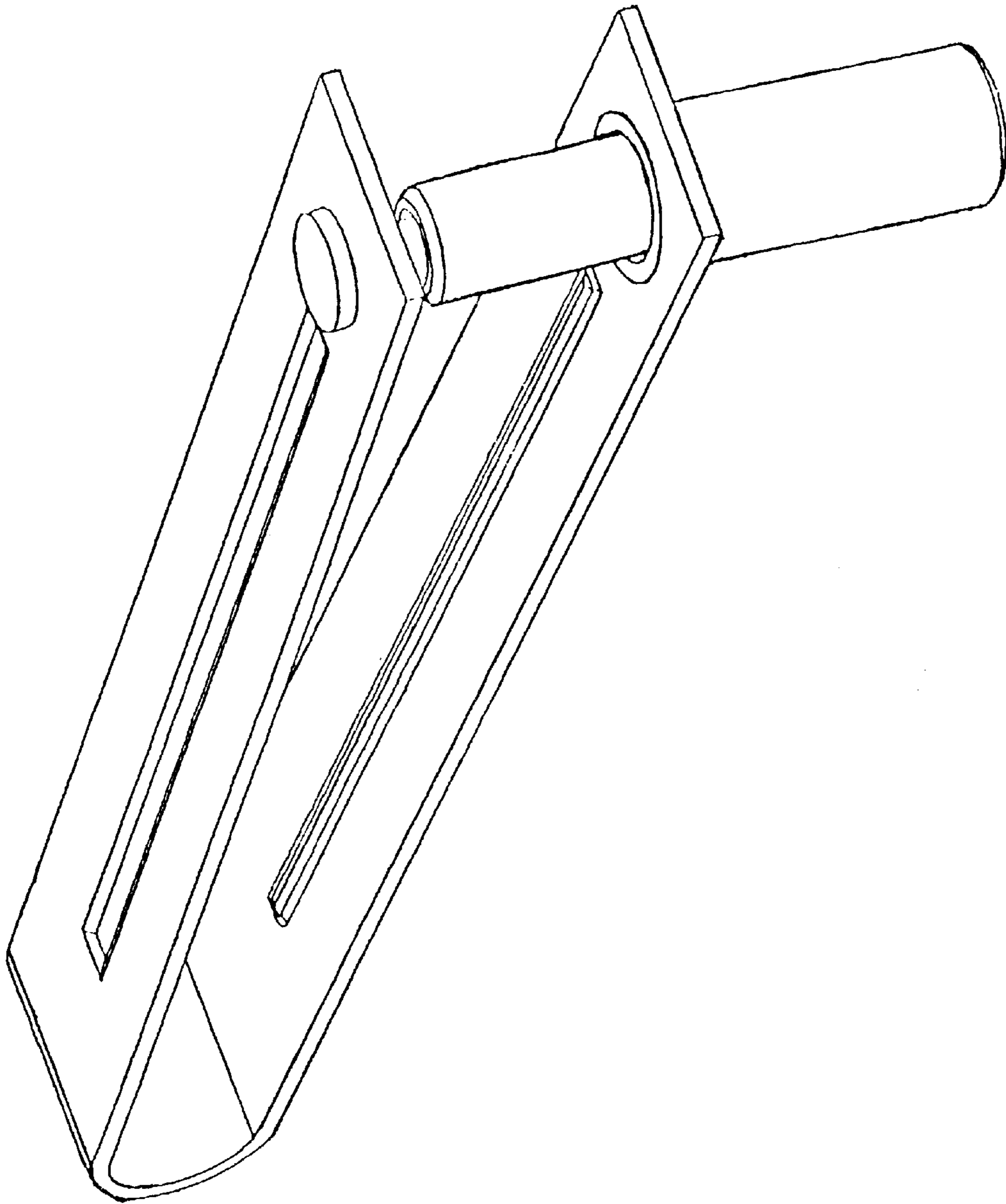
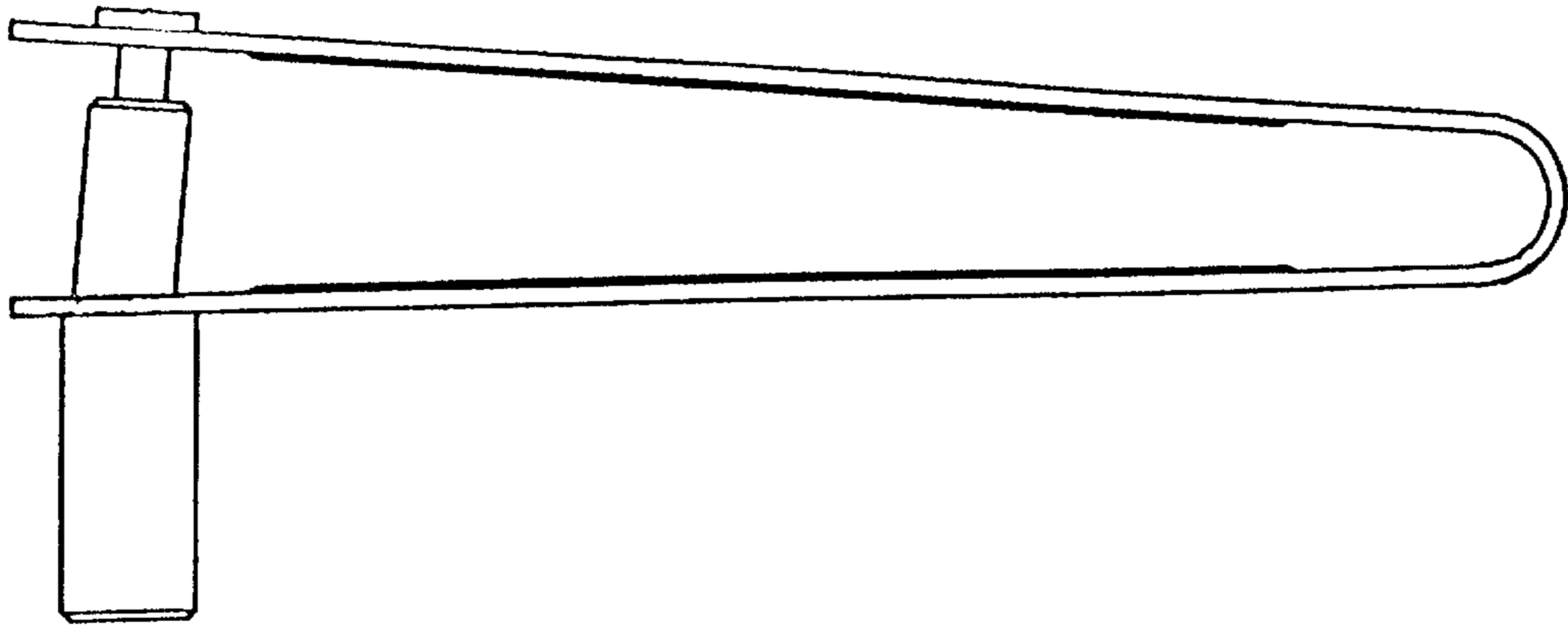
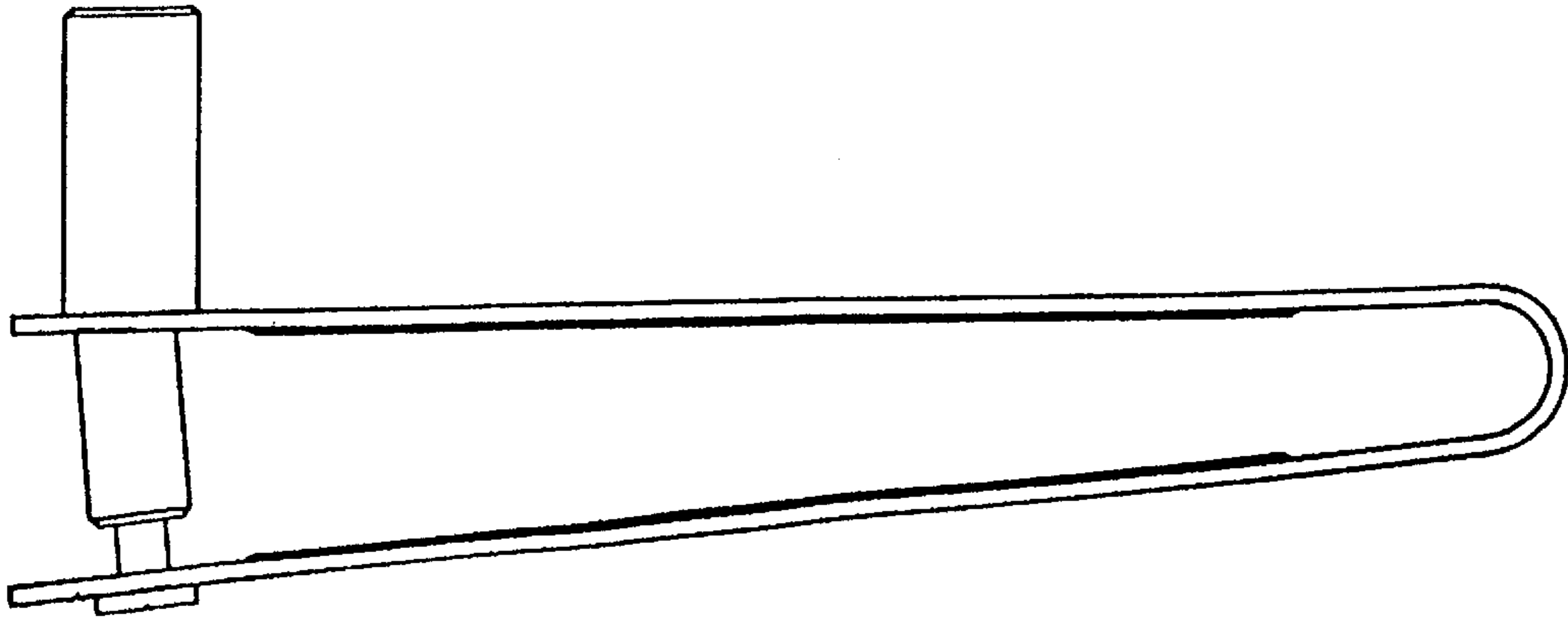


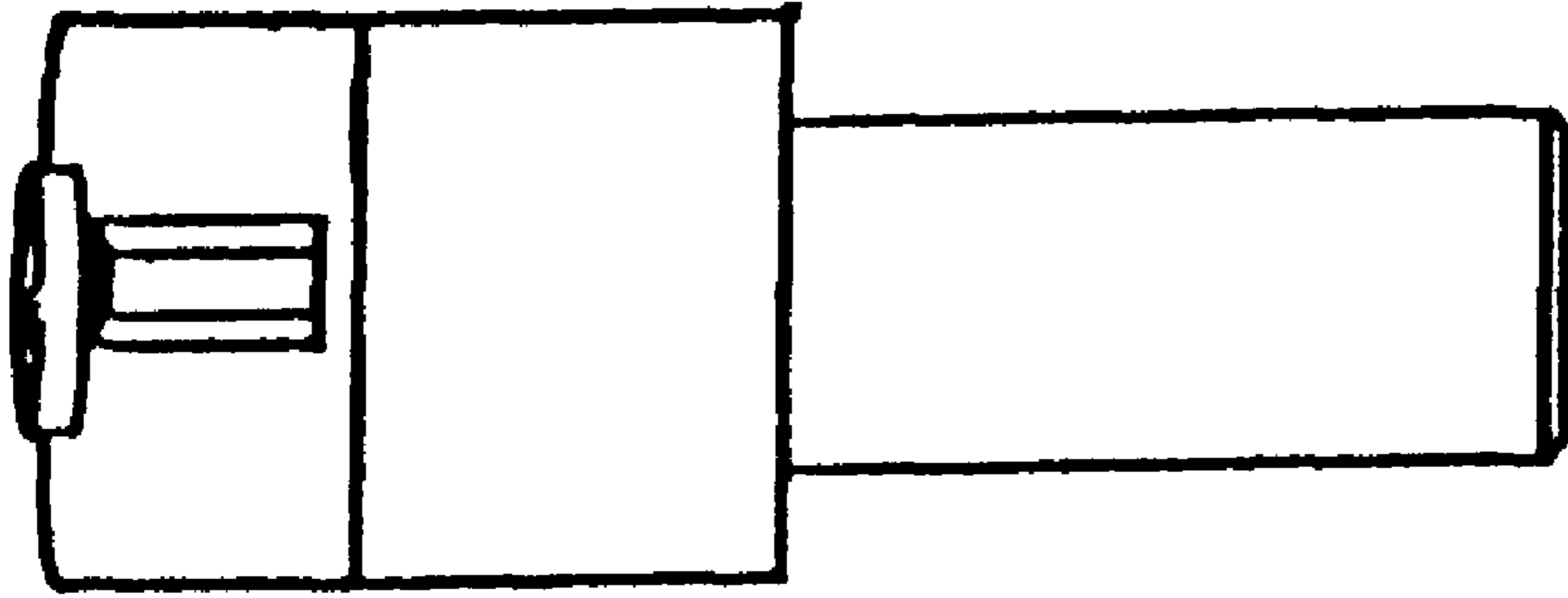
FIG. 1



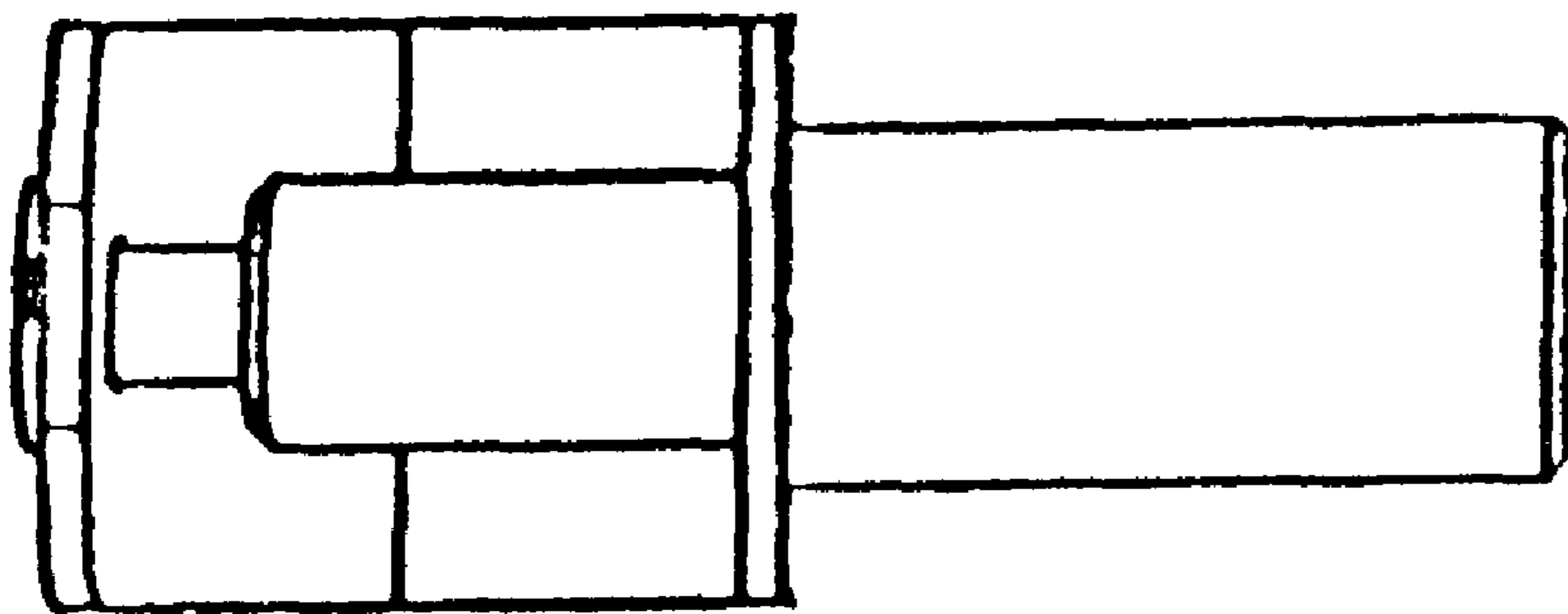
LEFT
FIG. 3



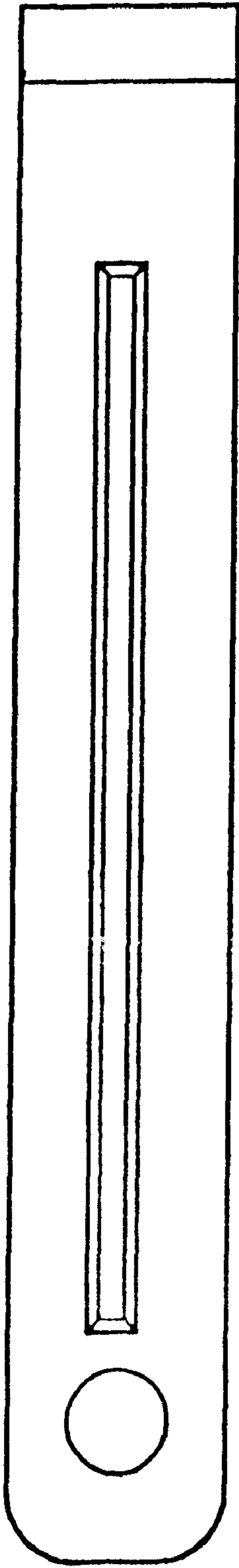
RIGHT
FIG. 2



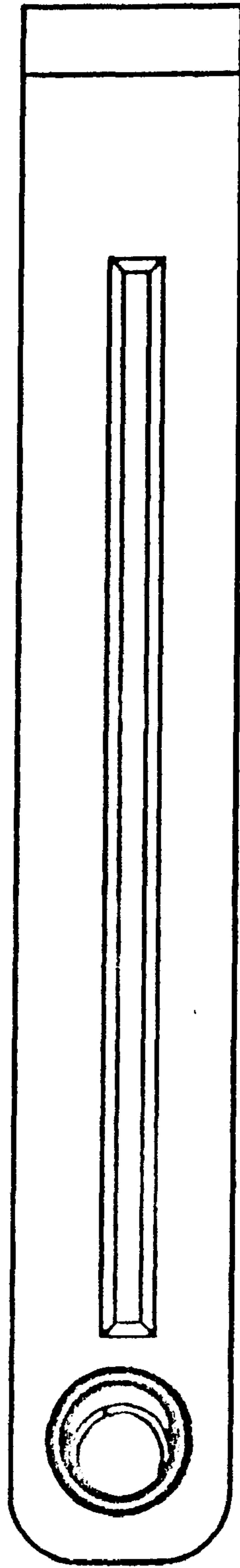
BACK
FIG. 5



FRONT
FIG. 4



TOP
FIG. 6



BOTTOM
FIG. 7