



US00D472107S

(12) **United States Design Patent**
Short

(10) **Patent No.:** **US D472,107 S**

(45) **Date of Patent:** **** Mar. 25, 2003**

(54) **FOOD JAR**

D395,203 S * 6/1998 Moran D7/608
D425,374 S * 5/2000 Besser et al. D7/608

(75) Inventor: **Kevin Short**, La Grange, IL (US)

* cited by examiner

(73) Assignee: **Thermos L.L.C.**, Schaumburg, IL (US)

Primary Examiner—Terry A. Wallace

(**) Term: **14 Years**

(74) *Attorney, Agent, or Firm*—Wood, Phillips, Katz, Clark & Mortimer

(21) Appl. No.: **29/160,717**

(57) **CLAIM**

(22) Filed: **May 15, 2002**

The ornamental design of a food jar, as shown and described.

(51) **LOC (7) Cl.** **07-01**

DESCRIPTION

(52) **U.S. Cl.** **D7/629; D7/608**

(58) **Field of Search** D7/601, 602, 605,
D7/608, 629; D9/500–505, 549, 572–575;
62/457.1–457.5, 371; 215/6, 12.1, 12.2,
13.1, 11.6

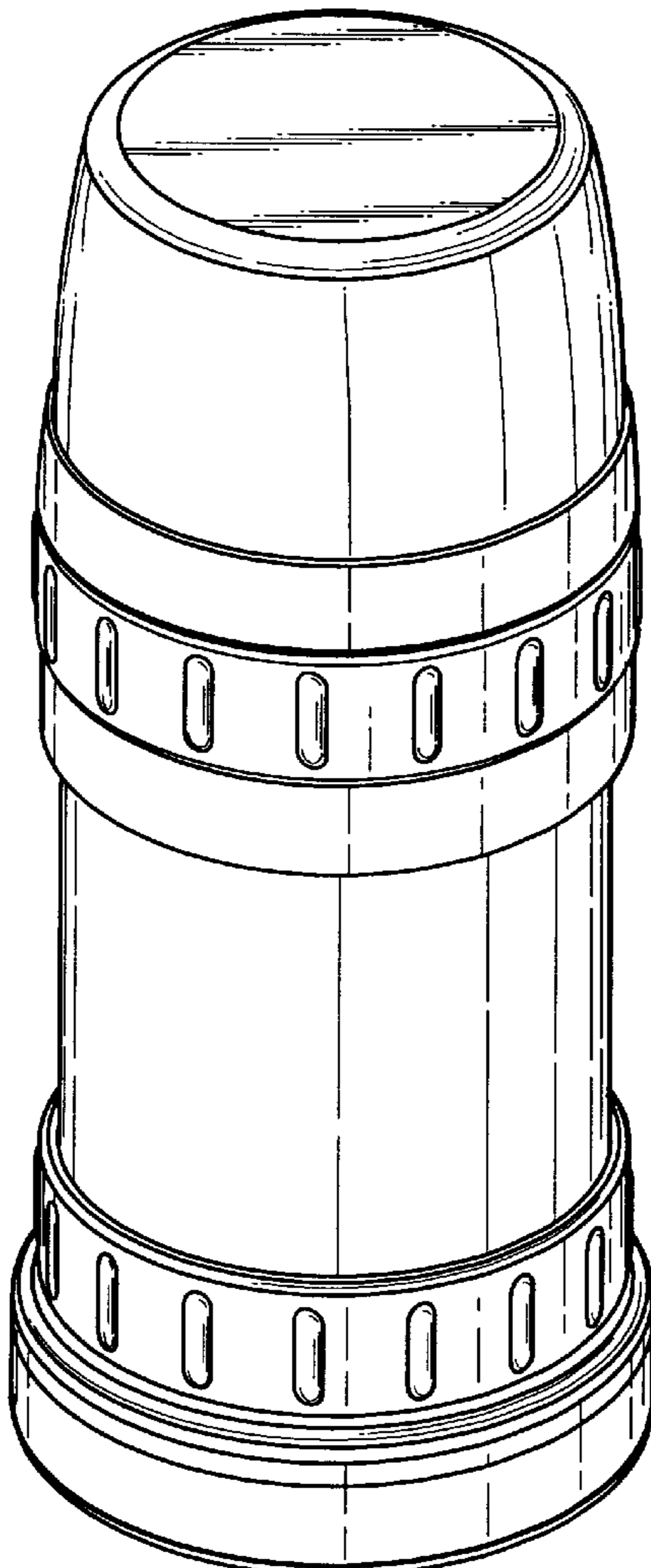
FIG. 1 is a perspective view of my food jar design taken from above;
FIG. 2 is a perspective view of my food jar design taken from below;
FIG. 3 is a side elevation of my food jar design showing it as it would appear from any side thereof;
FIG. 4 is a plan view of my food jar design; and,
FIG. 5 is a bottom view of my food jar design.

(56) **References Cited**

U.S. PATENT DOCUMENTS

D268,727 S * 4/1983 Nestrock D7/608
4,488,660 A * 12/1984 Murakami 215/13.1

1 Claim, 2 Drawing Sheets



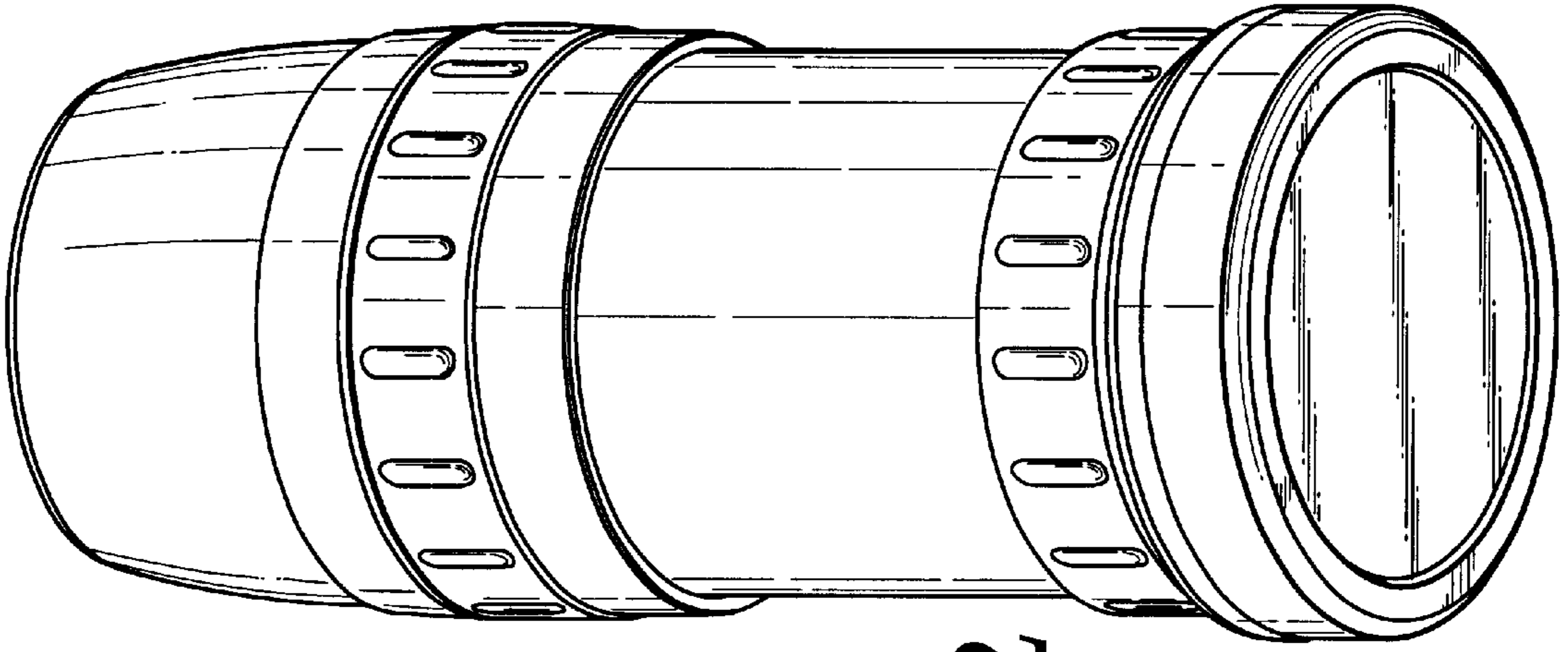


Fig. 2

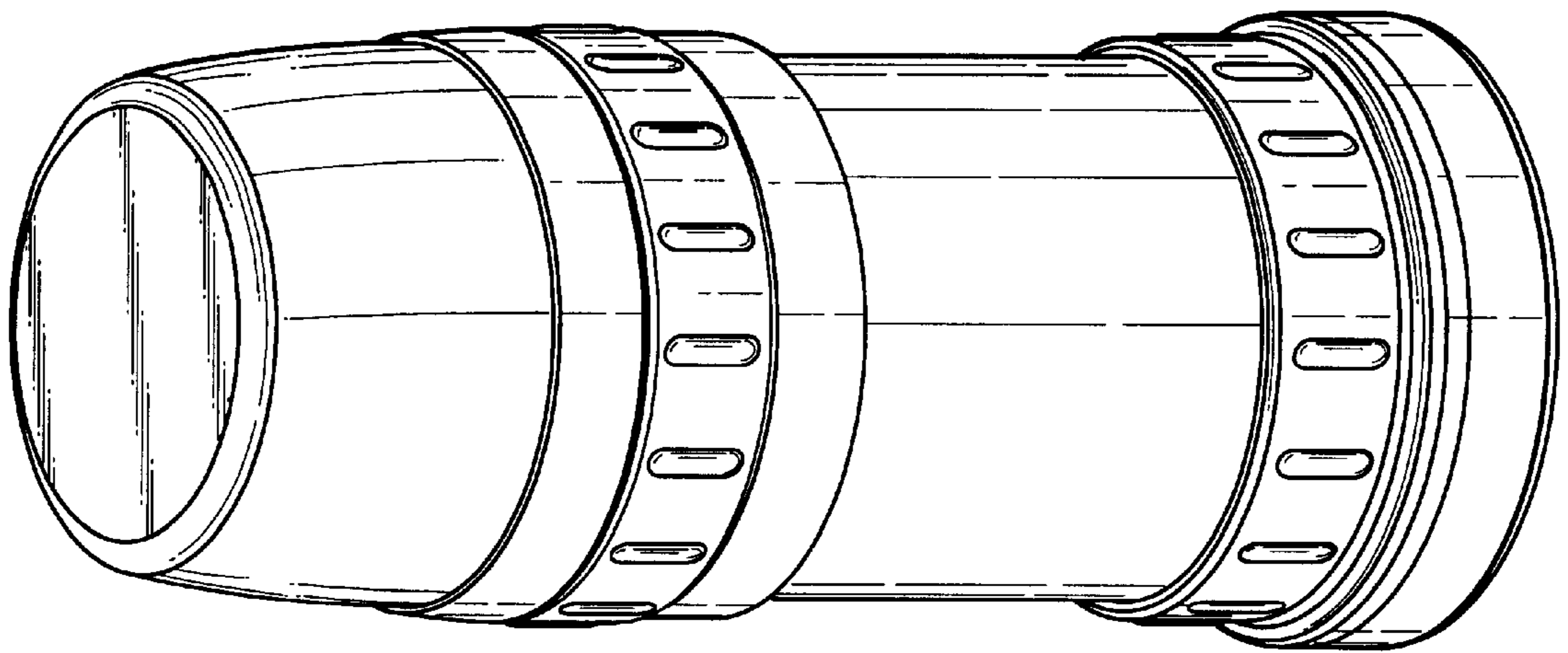


Fig. 1

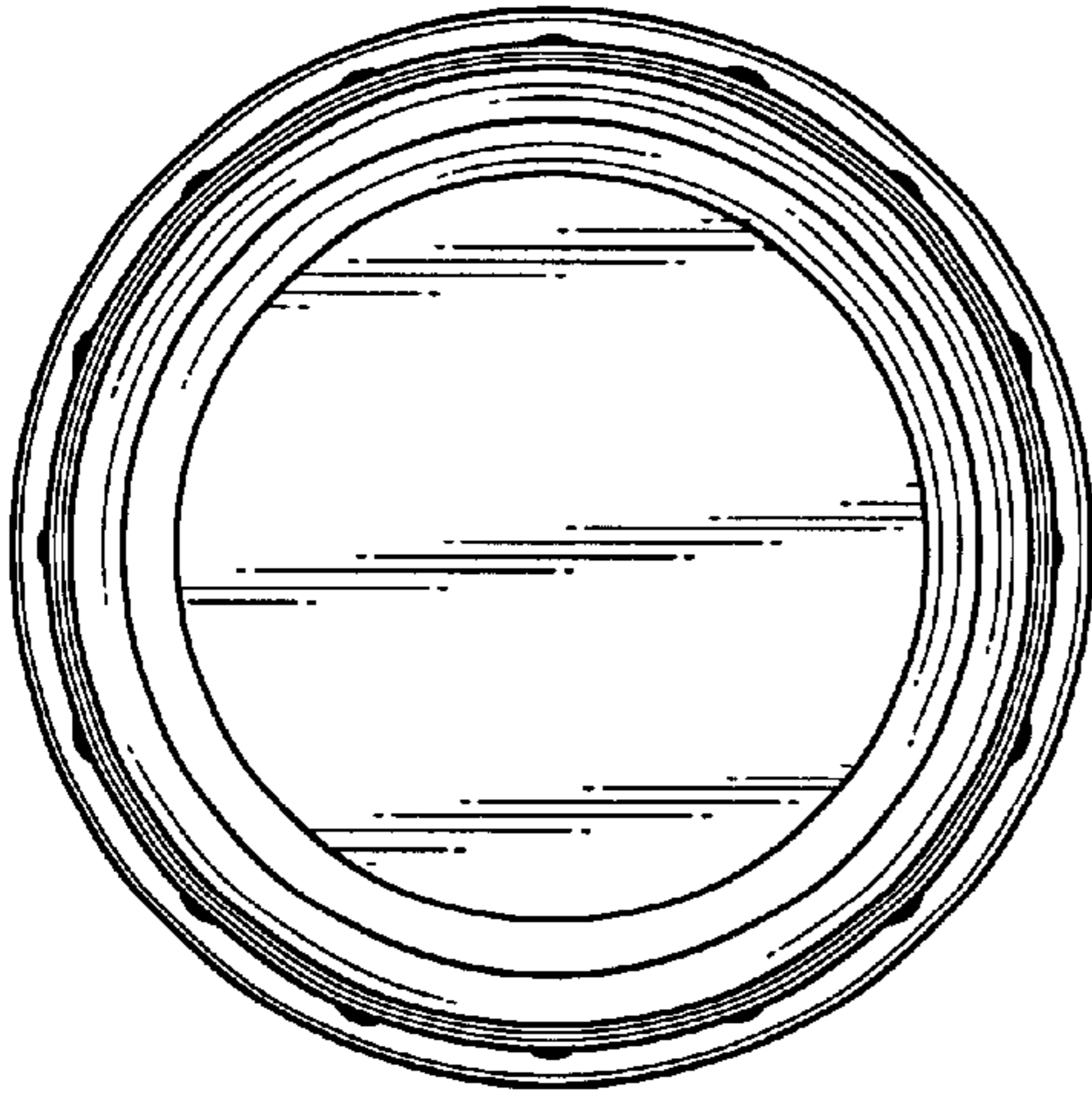


Fig. 4

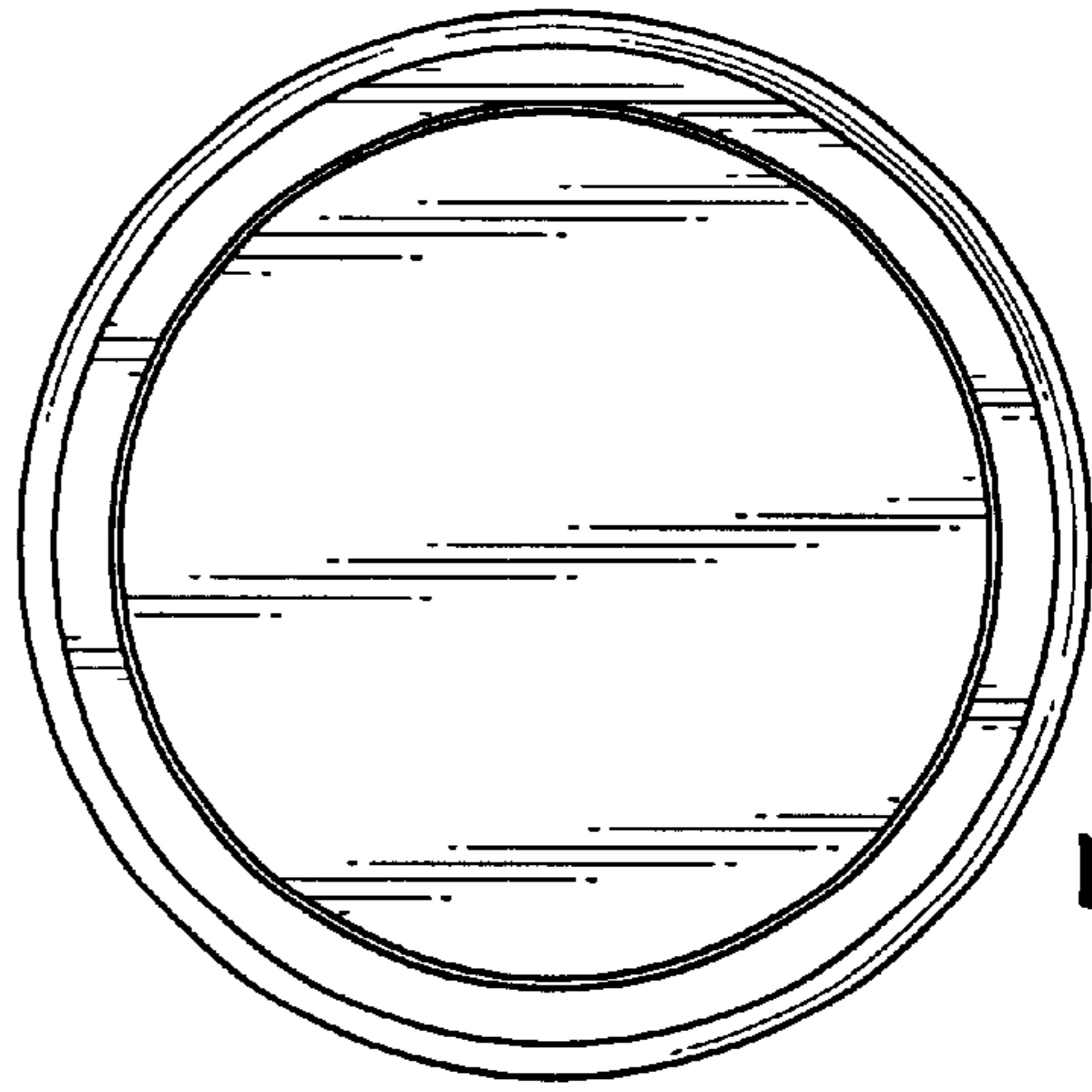


Fig. 5

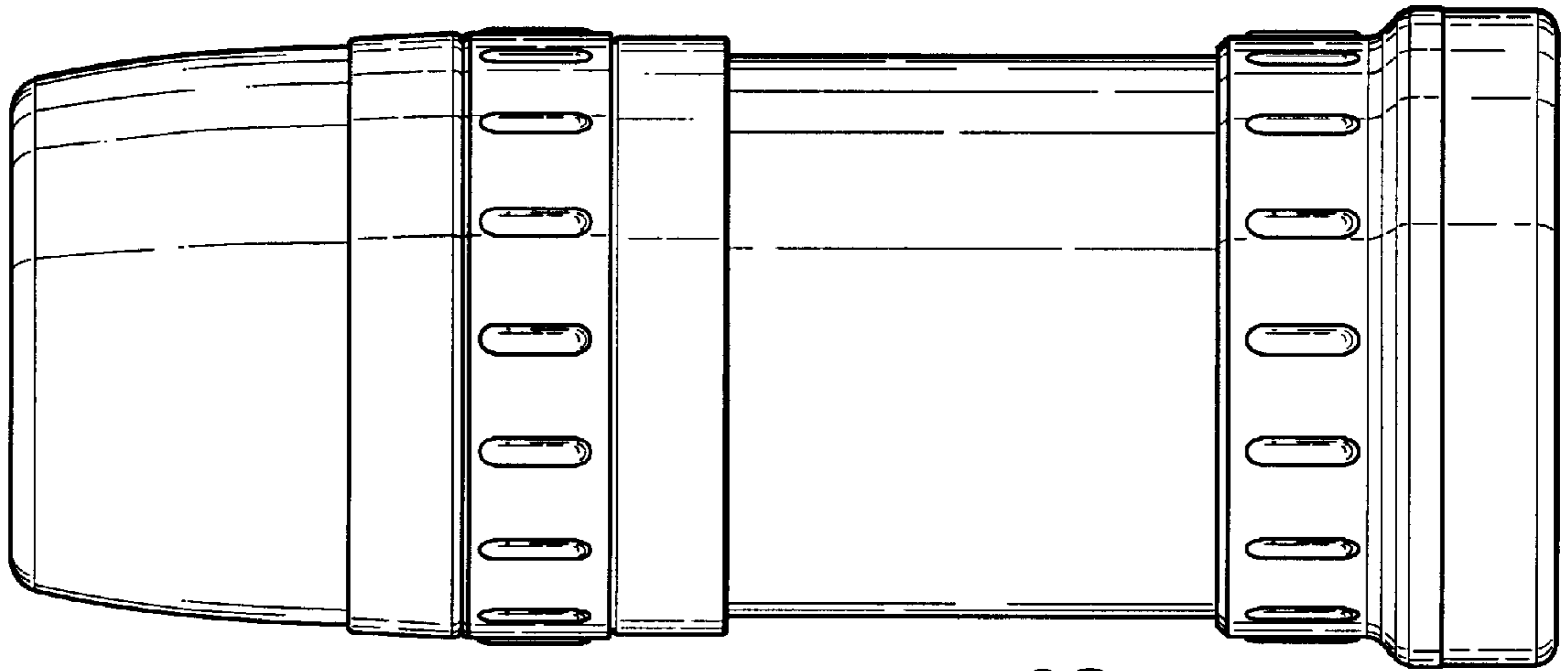


Fig. 3