



US00D472106S

(12) **United States Design Patent**
Cantor et al.

(10) **Patent No.:** **US D472,106 S**

(45) **Date of Patent:** **** Mar. 25, 2003**

(54) **COOLER**

(76) Inventors: **Kenneth Cantor**, 4379 Strathdale, West Bloomfield, MI (US) 48323; **John E. Nemazi**, 4373 Stoneleigh, Bloomfield Hills, MI (US) 48302

(**) Term: **14 Years**

(21) Appl. No.: **29/151,194**

(22) Filed: **Oct. 25, 2001**

(51) **LOC (7) Cl.** **07-01**

(52) **U.S. Cl.** **D7/606**

(58) **Field of Search** D7/605-608, 628;
62/457.1, 457.7, 371, 372; 220/592.16,
592.17, 592.23-592.27, 915.1, 915.2; D9/307,
320

(56) **References Cited**

U.S. PATENT DOCUMENTS

5,154,158 A * 10/1992 Lindsey 62/457.7 X
D353,306 S * 12/1994 Miller D7/605

D379,904 S * 6/1997 Joyce D7/606
D416,763 S * 11/1999 Paravati D7/605
D434,607 S * 12/2000 Hansen D7/606

* cited by examiner

Primary Examiner—Terry A. Wallace

(74) *Attorney, Agent, or Firm*—Brooks & Kushman P.C.

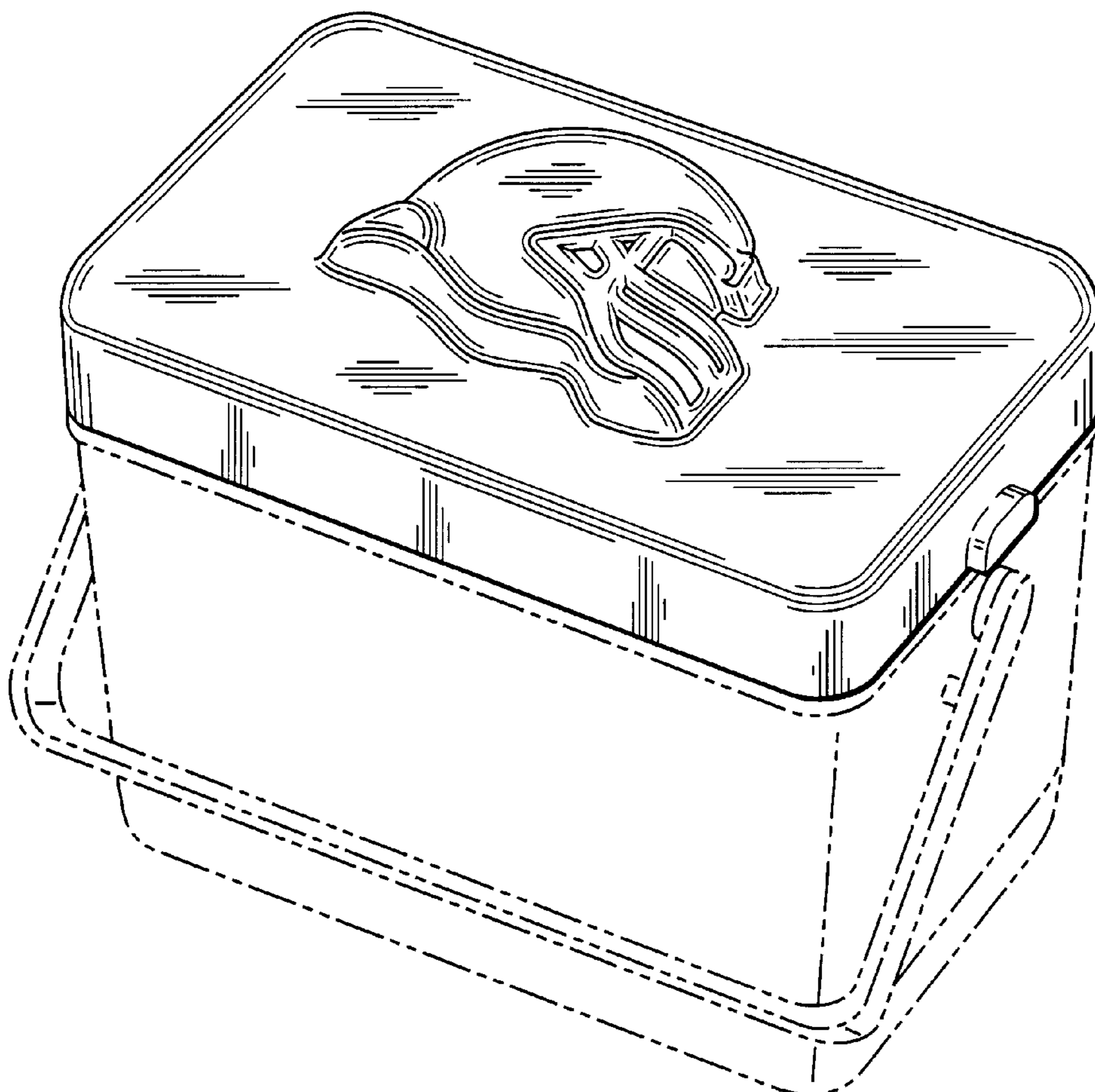
(57) **CLAIM**

The ornamental design for a cooler, as shown and described.

DESCRIPTION

FIG. 1 is a perspective view of a cooler;
FIG. 2 is a front side elevational view thereof;
FIG. 3 is a top plan view thereof;
FIG. 4 is a rear side elevational view thereof;
FIG. 5 is a bottom plan view thereof;
FIG. 6 is a left side elevational view thereof; and,
FIG. 7 is a right side elevational view thereof.
The broken lines are for illustrative purposes only and form no part of the claimed design.

1 Claim, 3 Drawing Sheets



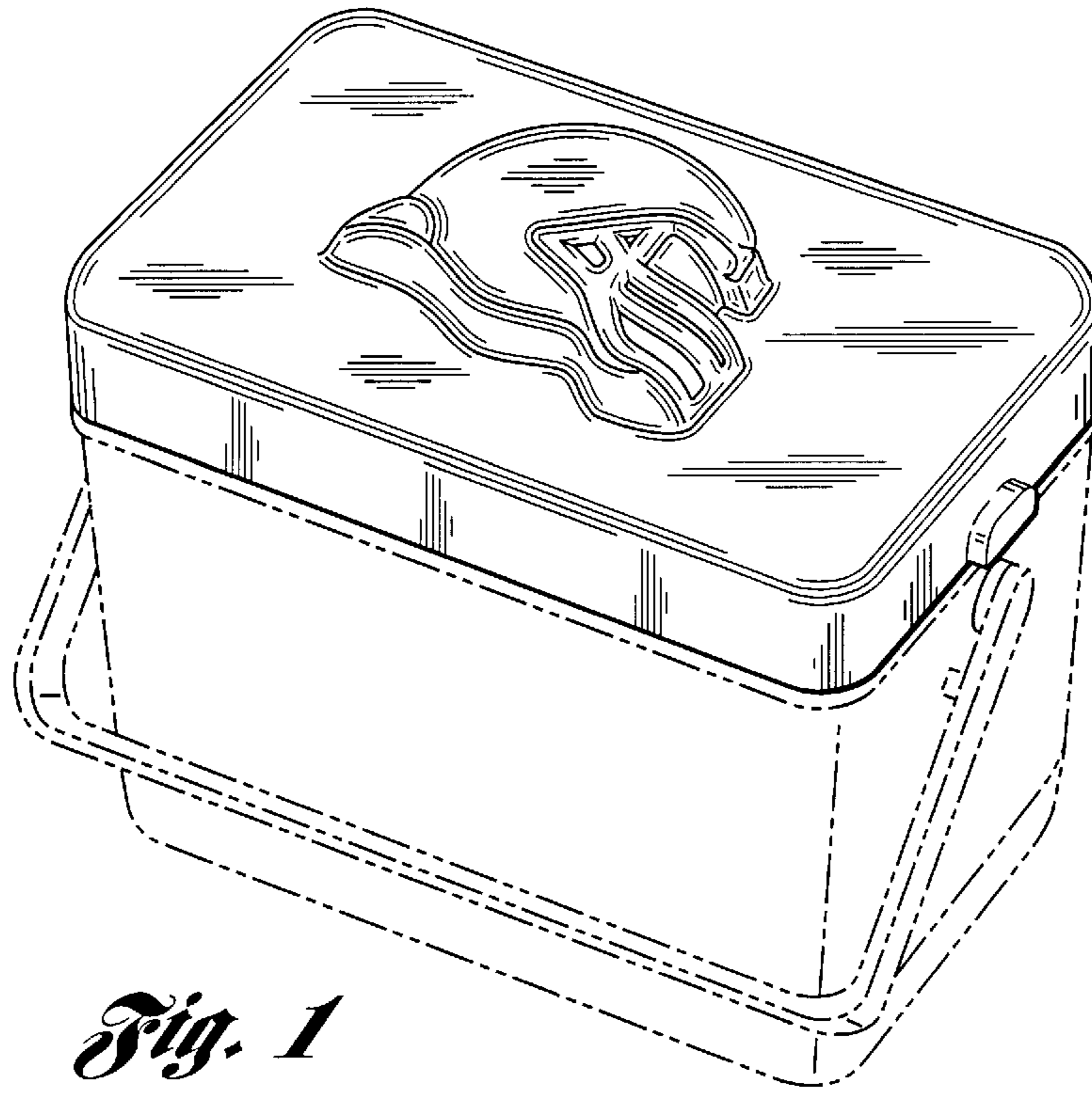


Fig. 1

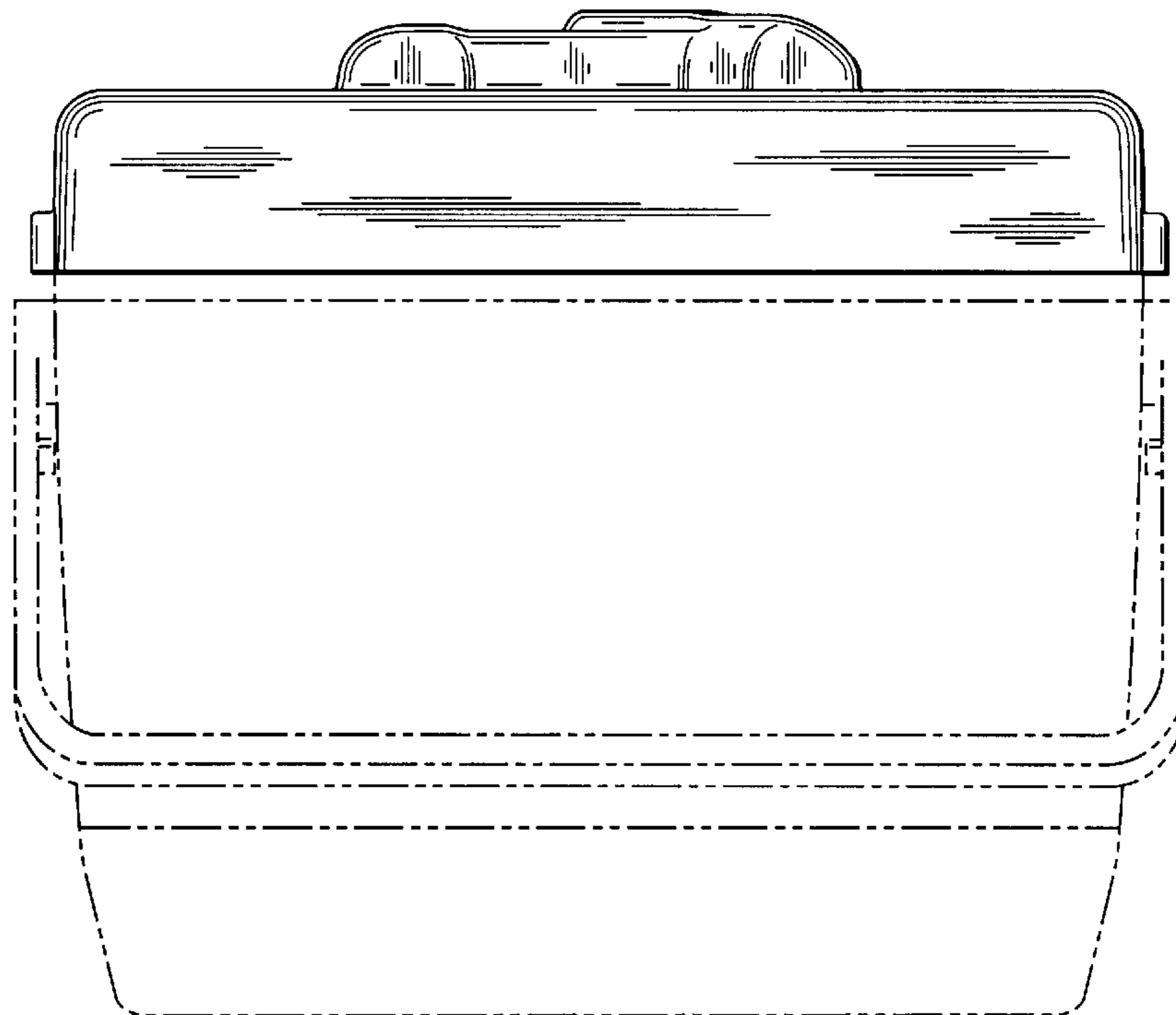


Fig. 2

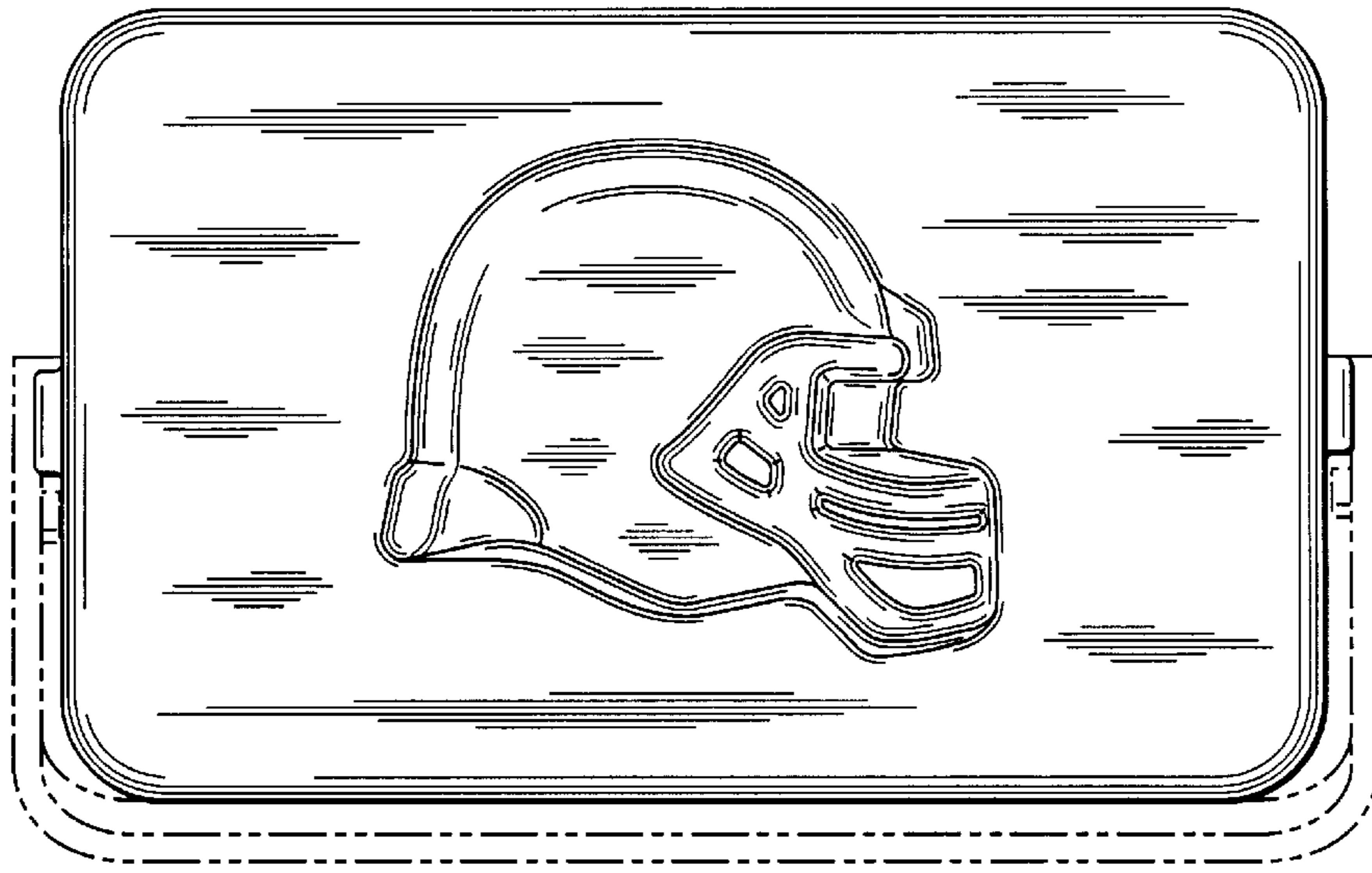


Fig. 3

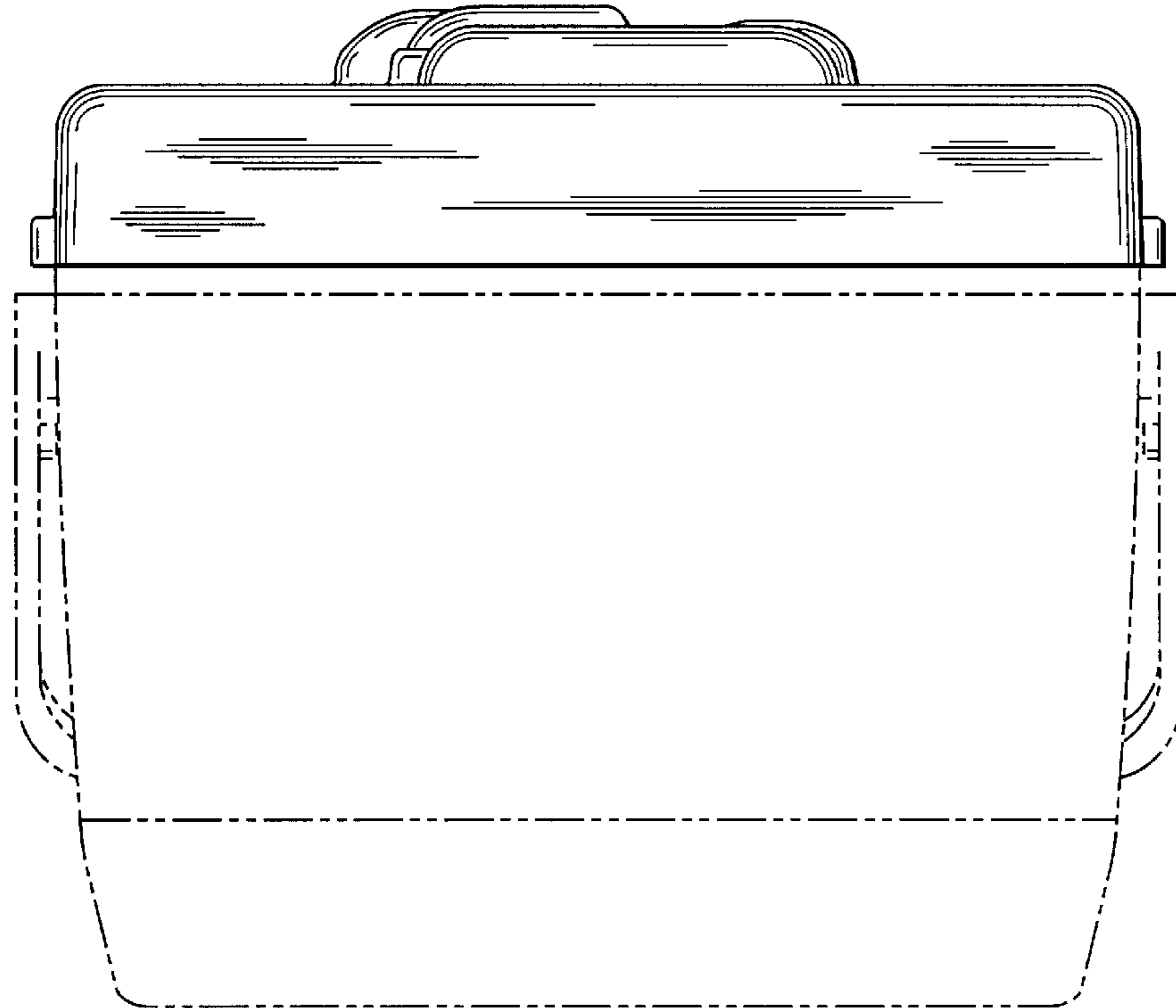


Fig. 4

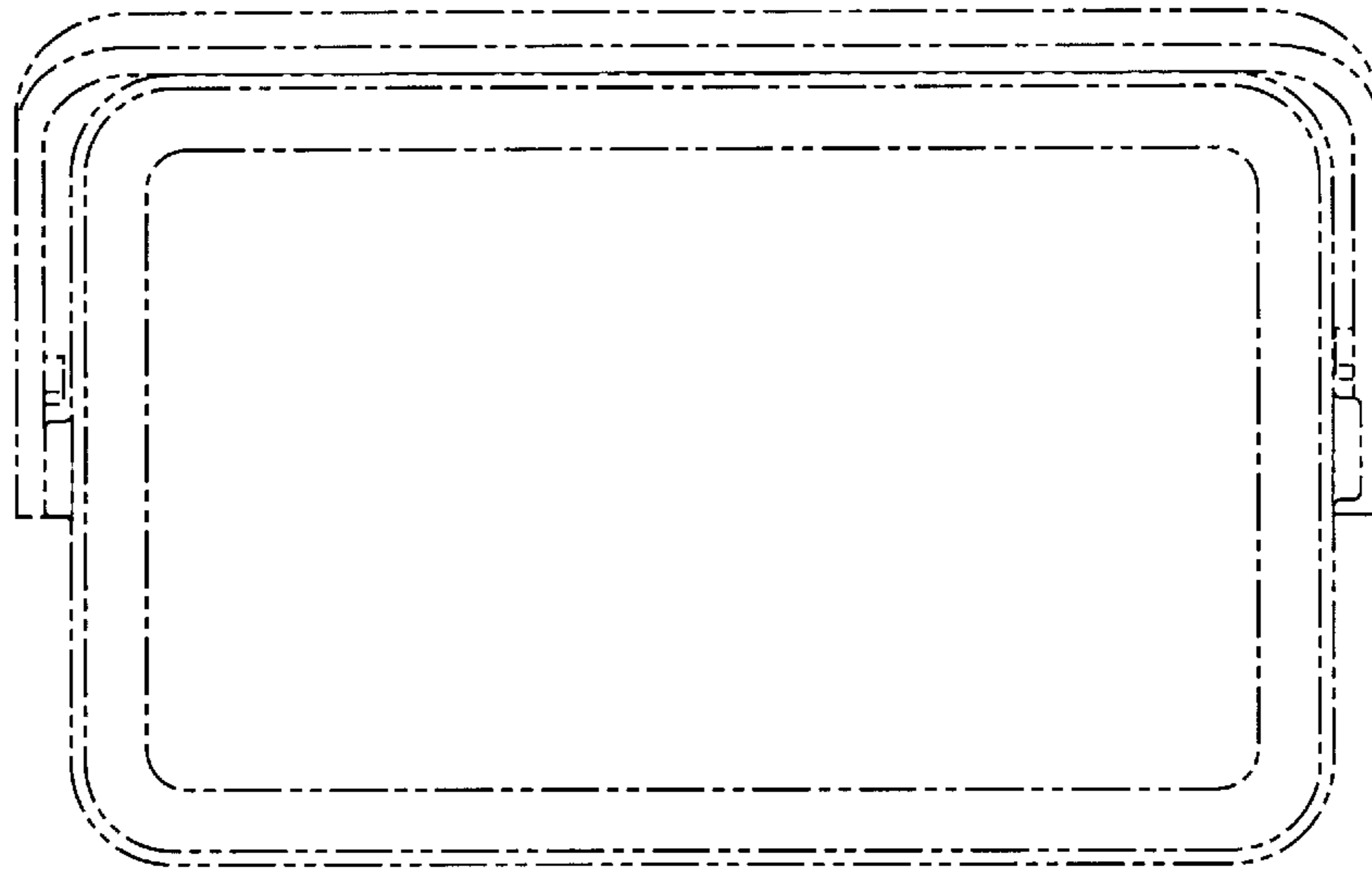


Fig. 5

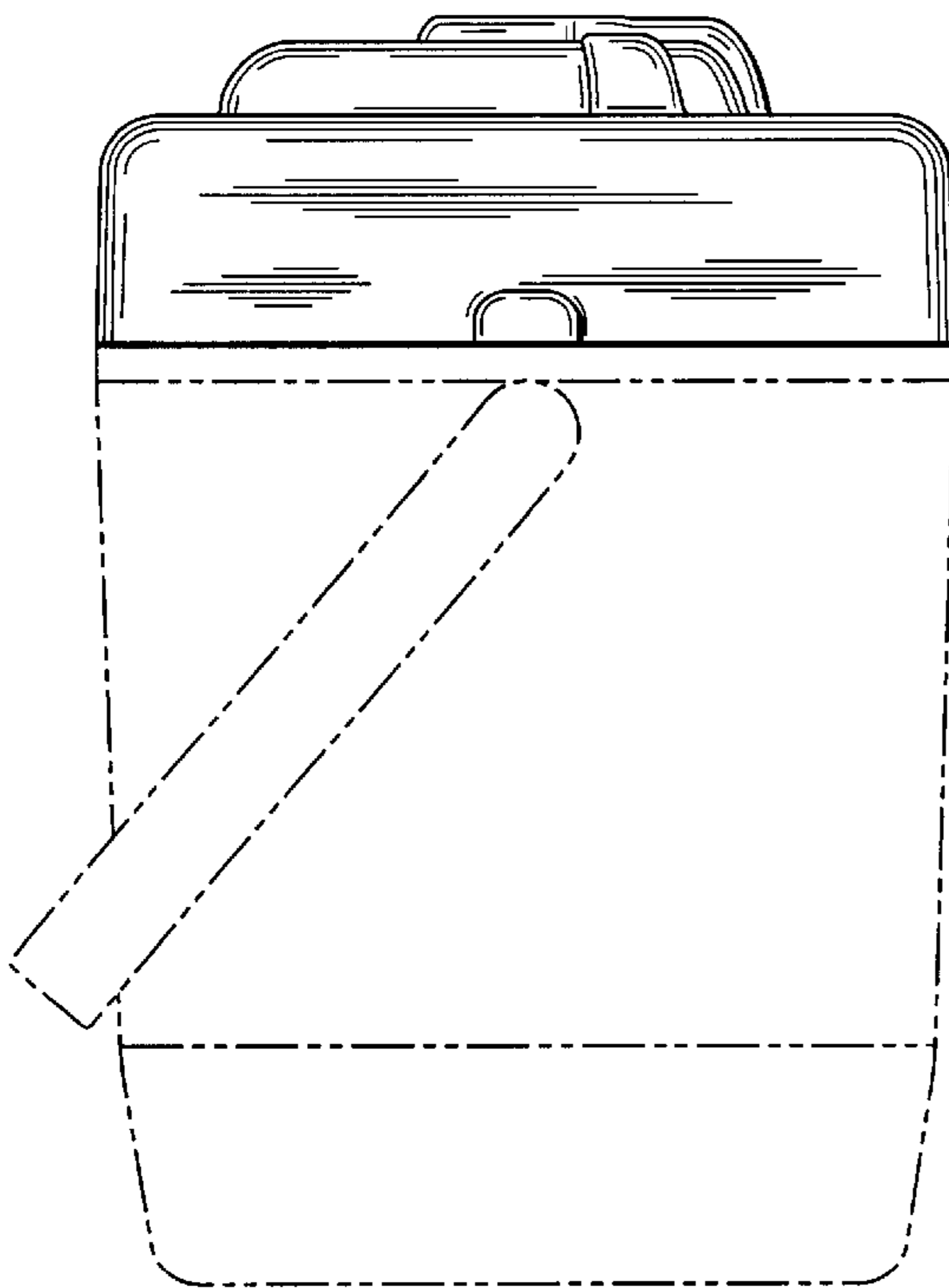


Fig. 6

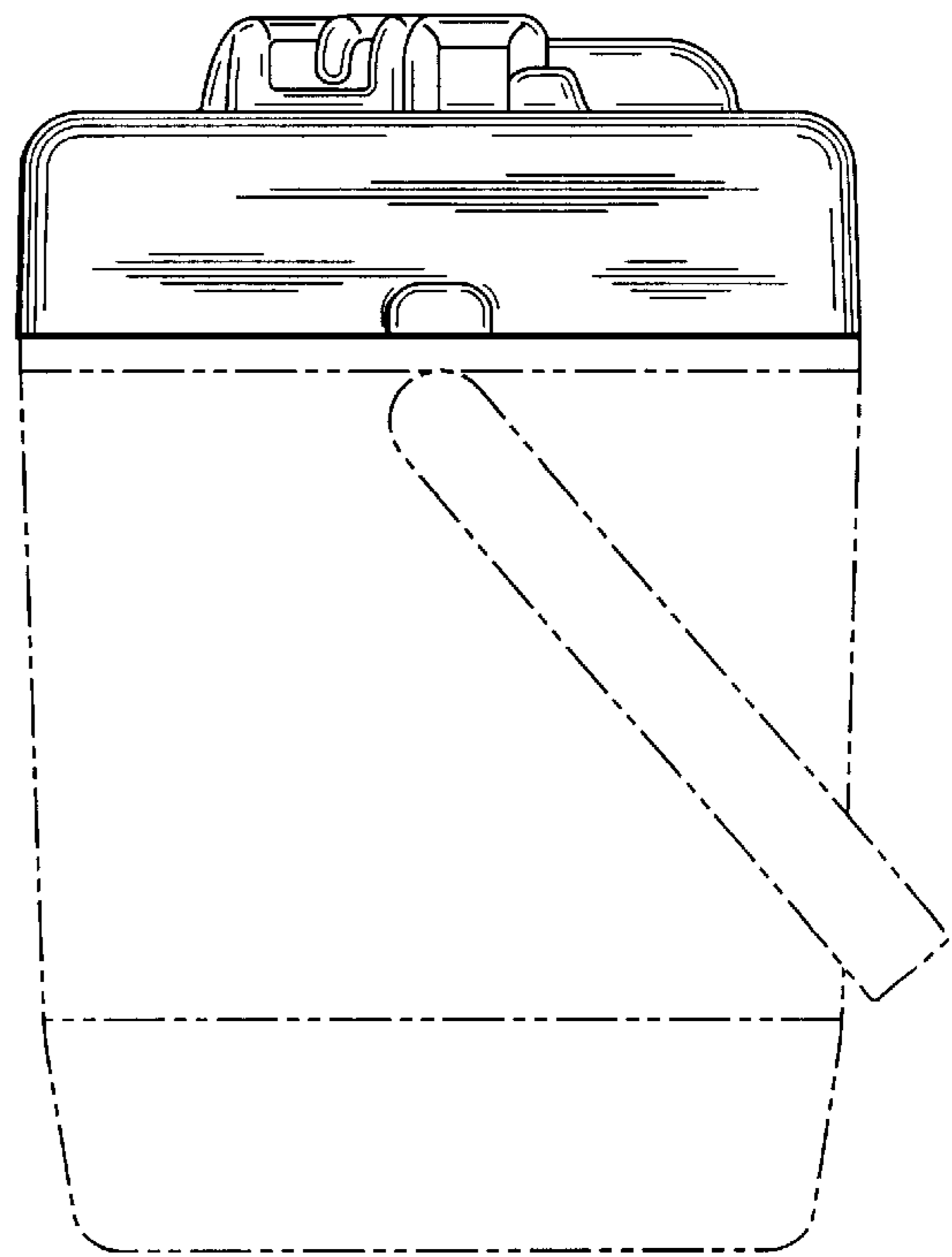


Fig. 7