



US00D472103S

(12) **United States Design Patent**
Massaloux et al.

(10) **Patent No.:** **US D472,103 S**

(45) **Date of Patent:** **** Mar. 25, 2003**

(54) **PLATE**

(75) Inventors: **Laurent Massaloux, Paris (FR);
Olivier Sidet, Paris (FR)**

(73) Assignee: **Societe Air France, Charles-de-Gaulle
(FR)**

(**) Term: **14 Years**

(21) Appl. No.: **29/161,252**

(22) Filed: **May 23, 2002**

(51) **LOC (7) Cl.** **07-01**

(52) **U.S. Cl.** **D7/554.3**

(58) **Field of Search** D7/500, 587, 588,
D7/554.3, 554.4, 558, 559, 550.1, 552.1;
D11/155-156; D9/342, 425; D3/314, 304;
206/511, 564, 557; 220/555, 23.2, 505,
574; 99/422

(56) **References Cited**

U.S. PATENT DOCUMENTS

D193,487 S * 8/1962 Levenhagen D7/554.3

D237,363 S * 10/1975 Holden D9/425
D271,557 S * 11/1983 Schwarzli D7/554.3
5,660,280 A * 8/1997 Wiederhold et al. 206/564
D421,548 S * 3/2000 Cornelissen D7/554.3

* cited by examiner

Primary Examiner—Doris V. Coles

(74) *Attorney, Agent, or Firm*—Abelman, Frayne &
Schwab

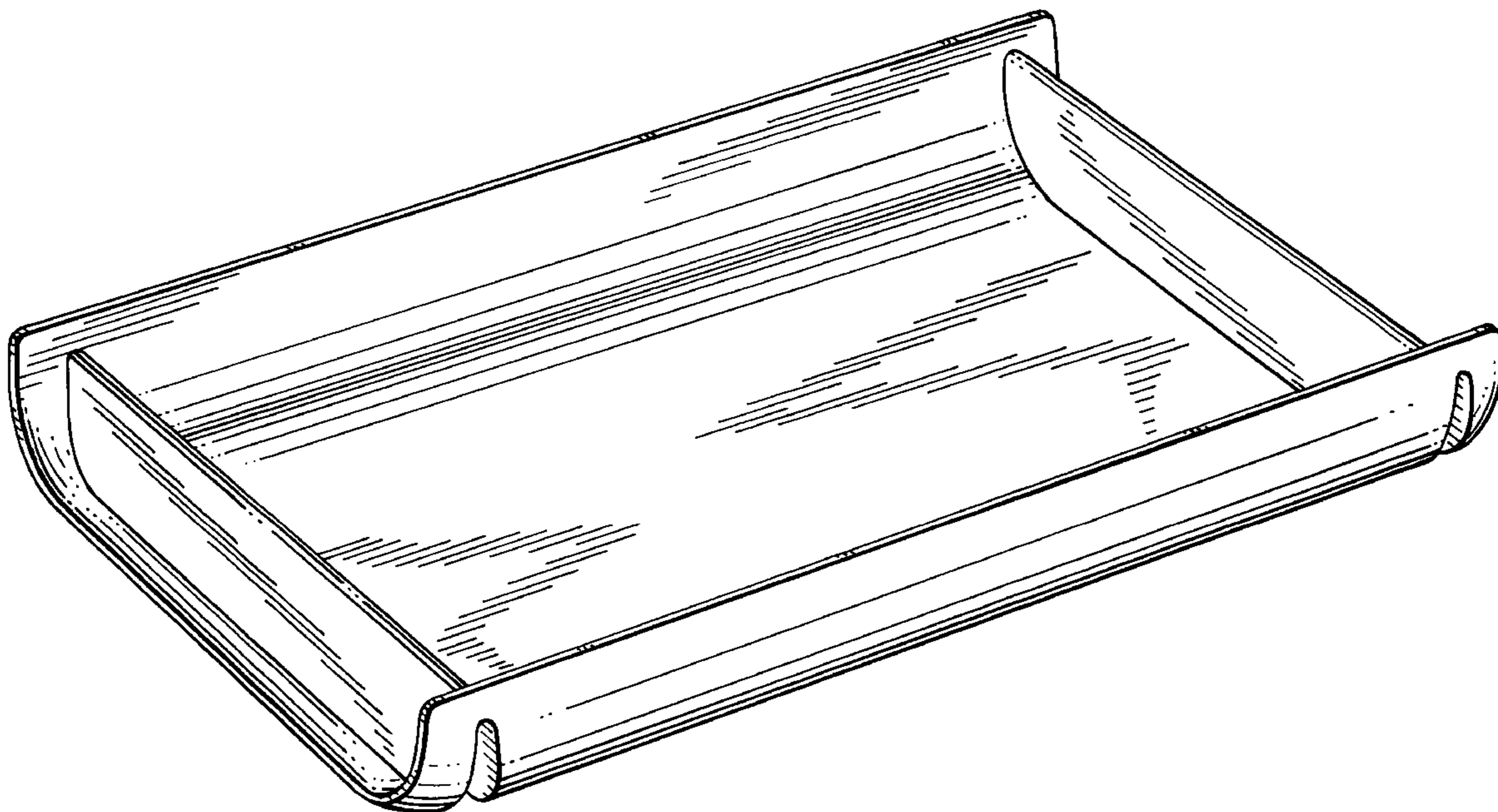
(57) **CLAIM**

The ornamental design for a plate, as shown and described.

DESCRIPTION

FIG. 1 is a perspective view showing the new plate design;
FIG. 2 is a top plan view thereof;
FIG. 3 is an end view thereof;
FIG. 4 is a side view thereof; and,
FIG. 5 is a bottom view thereof.

1 Claim, 4 Drawing Sheets



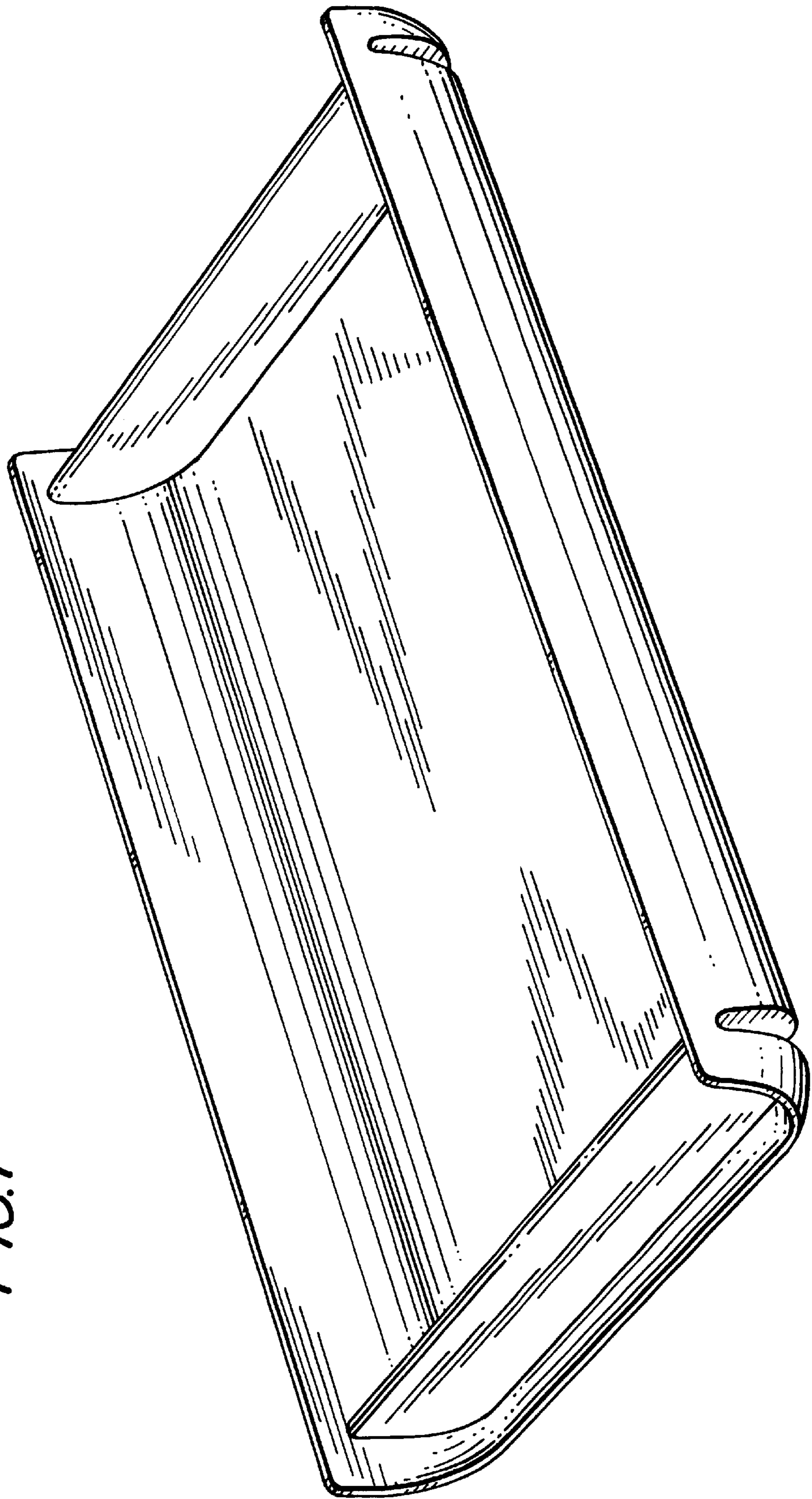


FIG. 1

FIG. 2

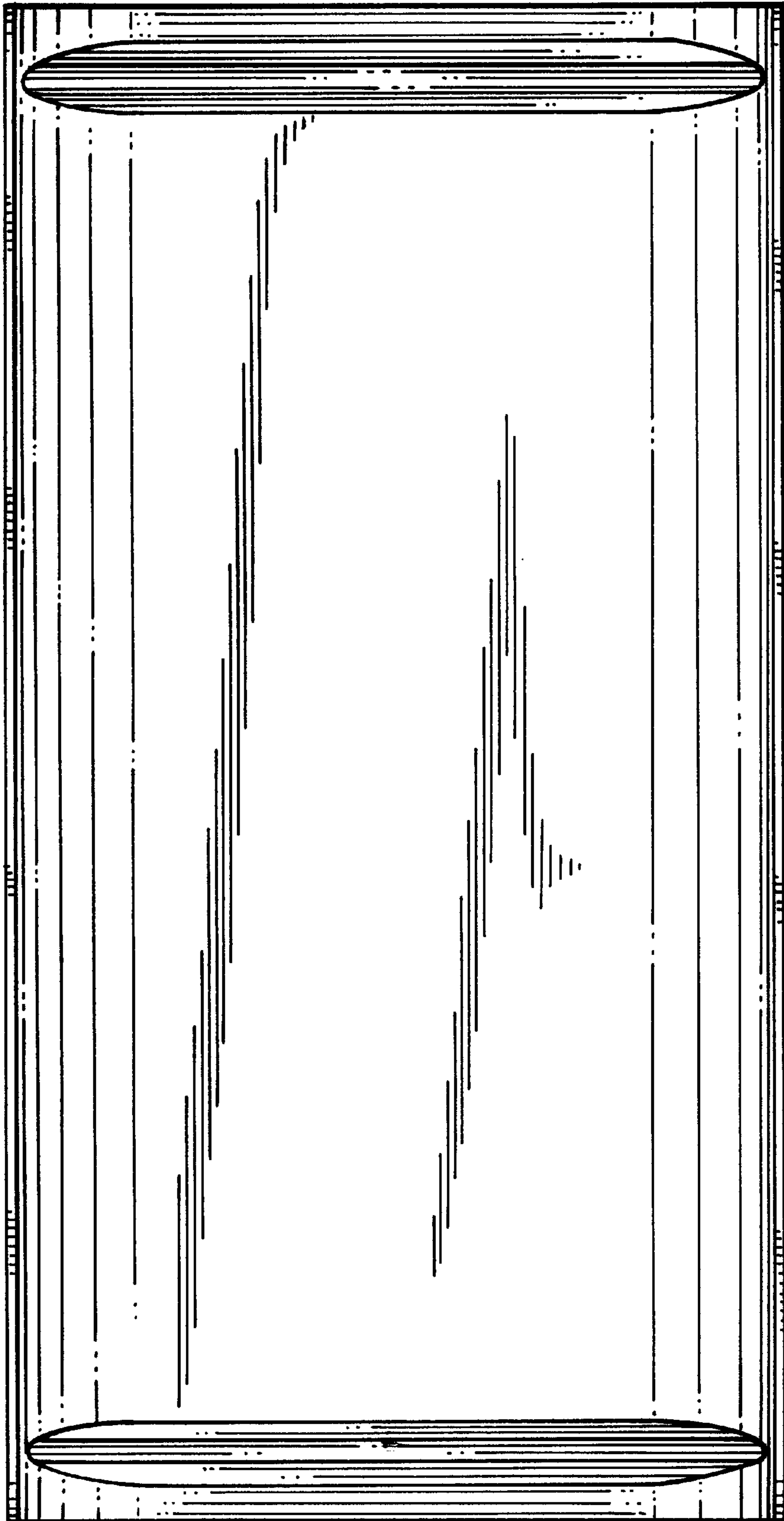


FIG. 3

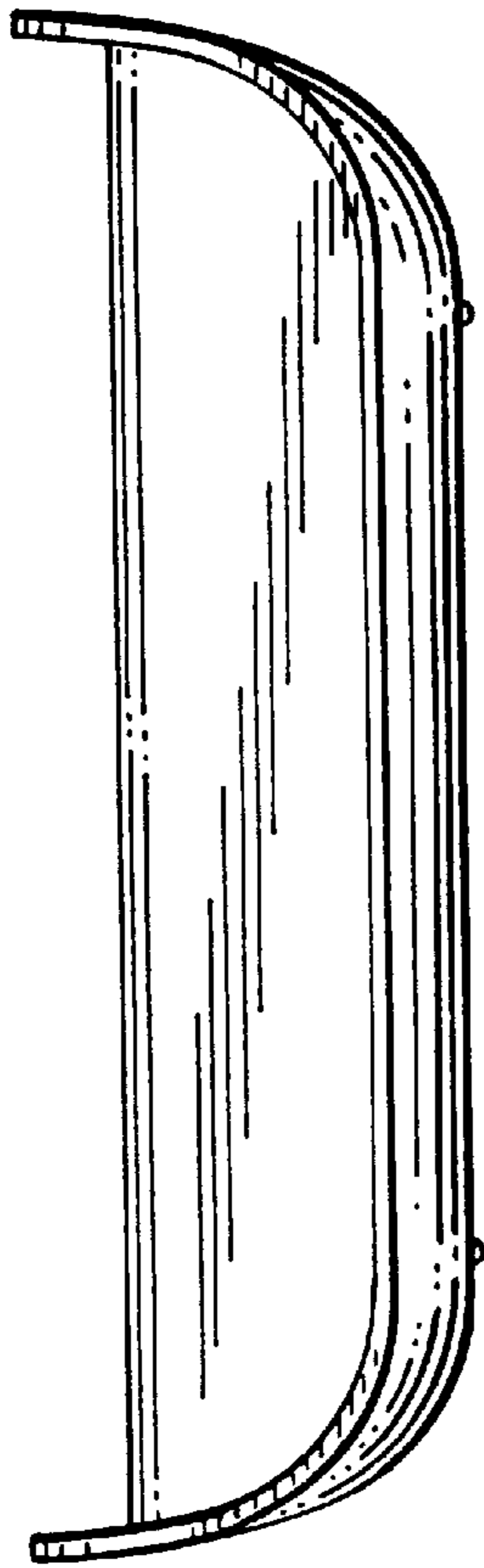


FIG. 4

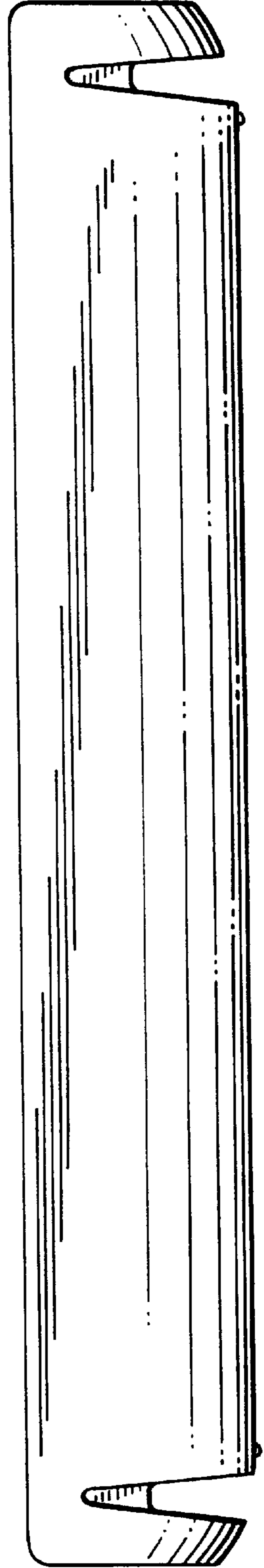


FIG. 5

