



US00D472100S

(12) **United States Design Patent**  
**Gullickson et al.**

(10) **Patent No.:** **US D472,100 S**

(45) **Date of Patent:** **\*\* Mar. 25, 2003**

(54) **MUG**

(75) **Inventors:** **Mark S. K. Gullickson**, Chicago, IL  
(US); **Todd A. Zeilinger**, Chicago, IL  
(US)

(73) **Assignee:** **Thermos L.L.C.**, Schaumburg, IL (US)

(\*\*) **Term:** **14 Years**

(21) **Appl. No.:** **29/145,178**

(22) **Filed:** **Jul. 17, 2001**

(51) **LOC (7) Cl.** ..... **07-01**

(52) **U.S. Cl.** ..... **D7/510; D7/511; D7/533**

(58) **Field of Search** ..... **D7/509, 536, 533,**  
**D7/523, 532, 507, 510, 511, 531; 220/592.1,**  
**710.5, 713, 630; 215/396, 398, 12.1; D9/551,**  
**500**

(56) **References Cited**

**U.S. PATENT DOCUMENTS**

- D47,798 S \* 9/1915 Pick ..... D7/523
- D230,387 S \* 2/1974 Doman et al. .... D7/531
- D258,483 S \* 3/1981 Weinstein ..... D7/511
- D289,720 S \* 5/1987 Maher ..... D7/396.2

- D386,948 S \* 12/1997 Wissinger ..... D7/533
- D403,555 S \* 1/1999 Burns et al. .... D7/509
- D429,959 S \* 8/2000 Otake ..... D7/510
- D431,159 S \* 9/2000 Otake ..... D7/510
- D435,195 S \* 12/2000 Joergensen ..... D7/536
- D438,757 S \* 3/2001 Joergensen ..... D7/510
- D460,324 S \* 7/2002 Norris et al. .... D7/533

\* cited by examiner

*Primary Examiner*—M. N. Pandozzi

(74) *Attorney, Agent, or Firm*—Wood, Phillips, Katz, Clark & Mortimer

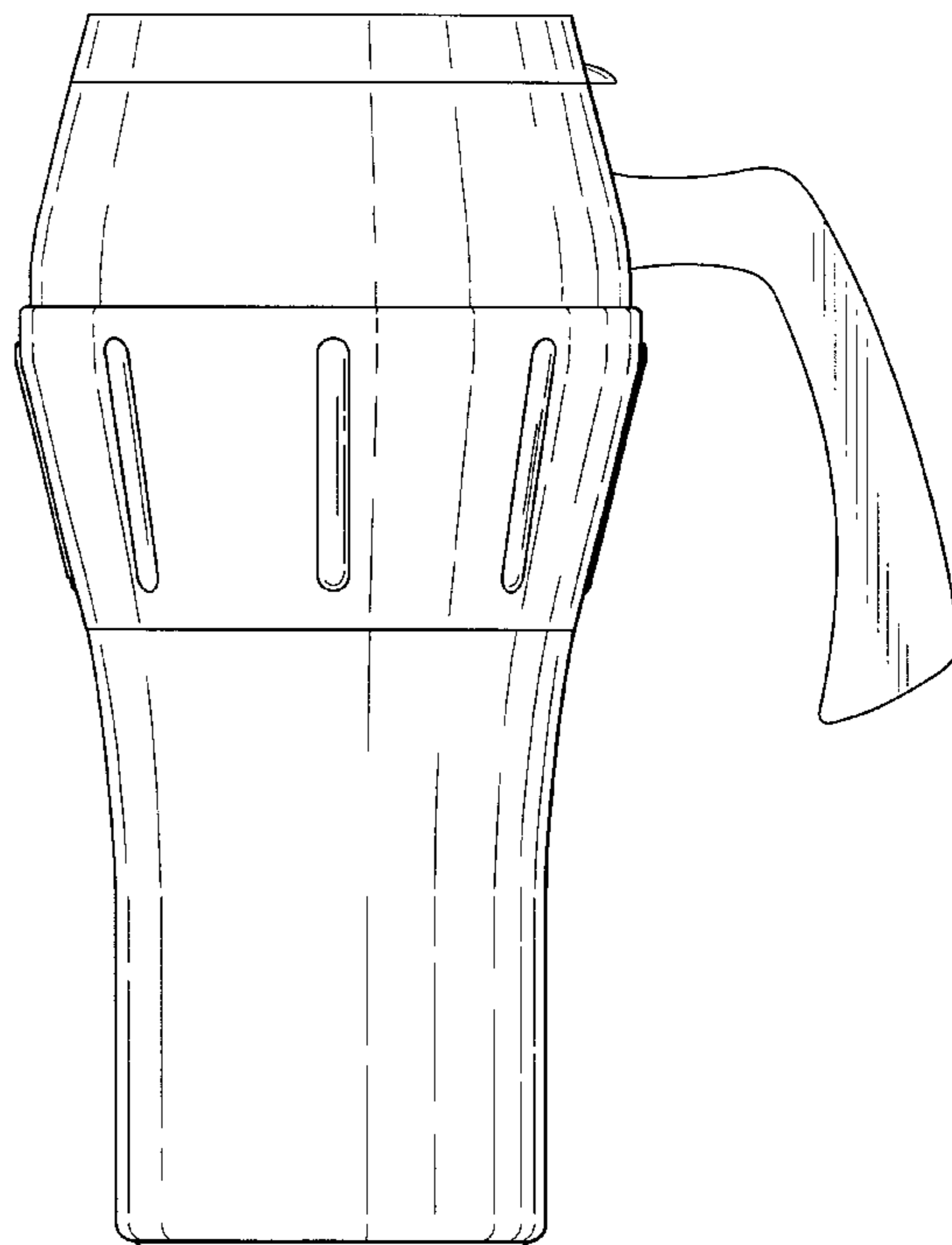
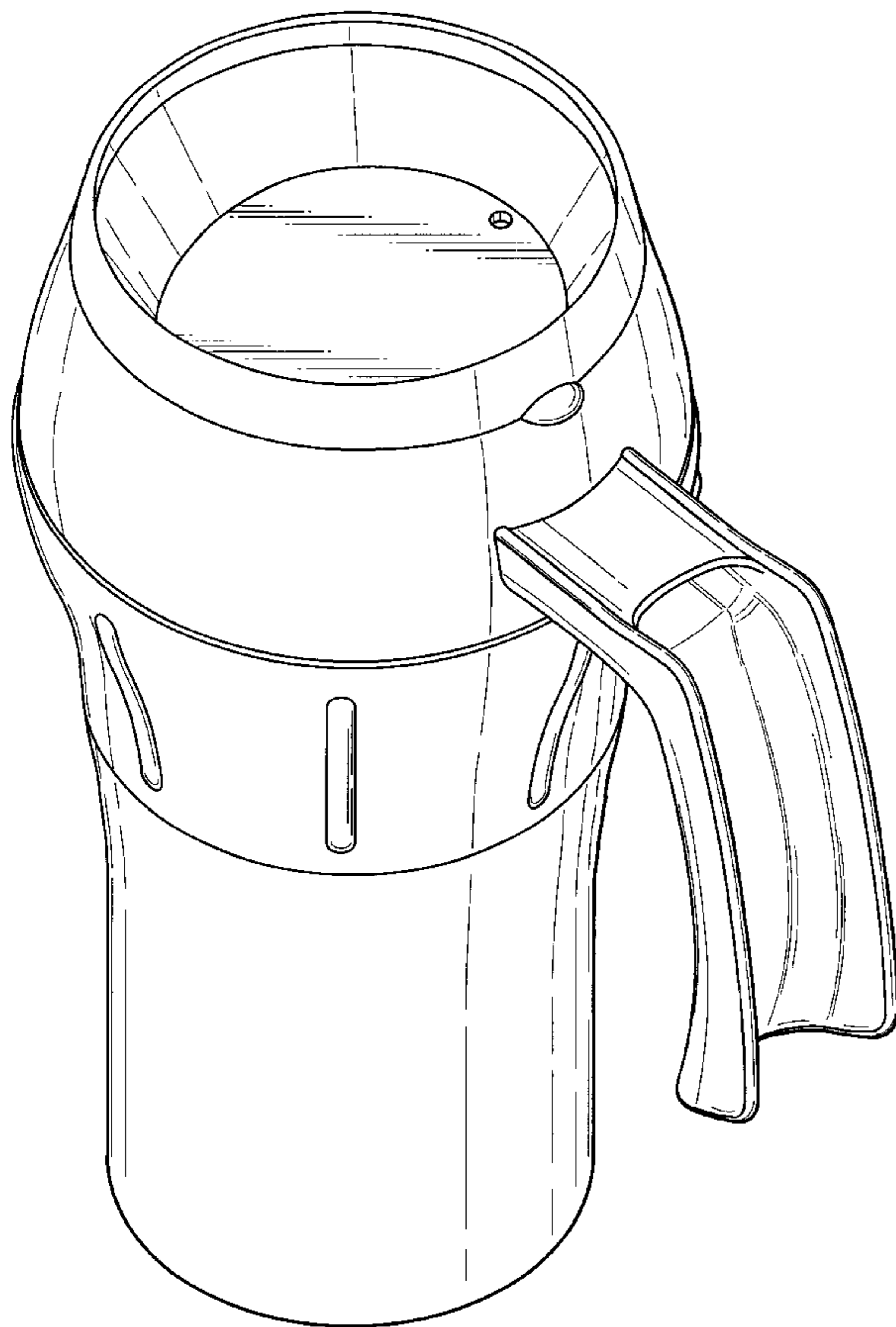
(57) **CLAIM**

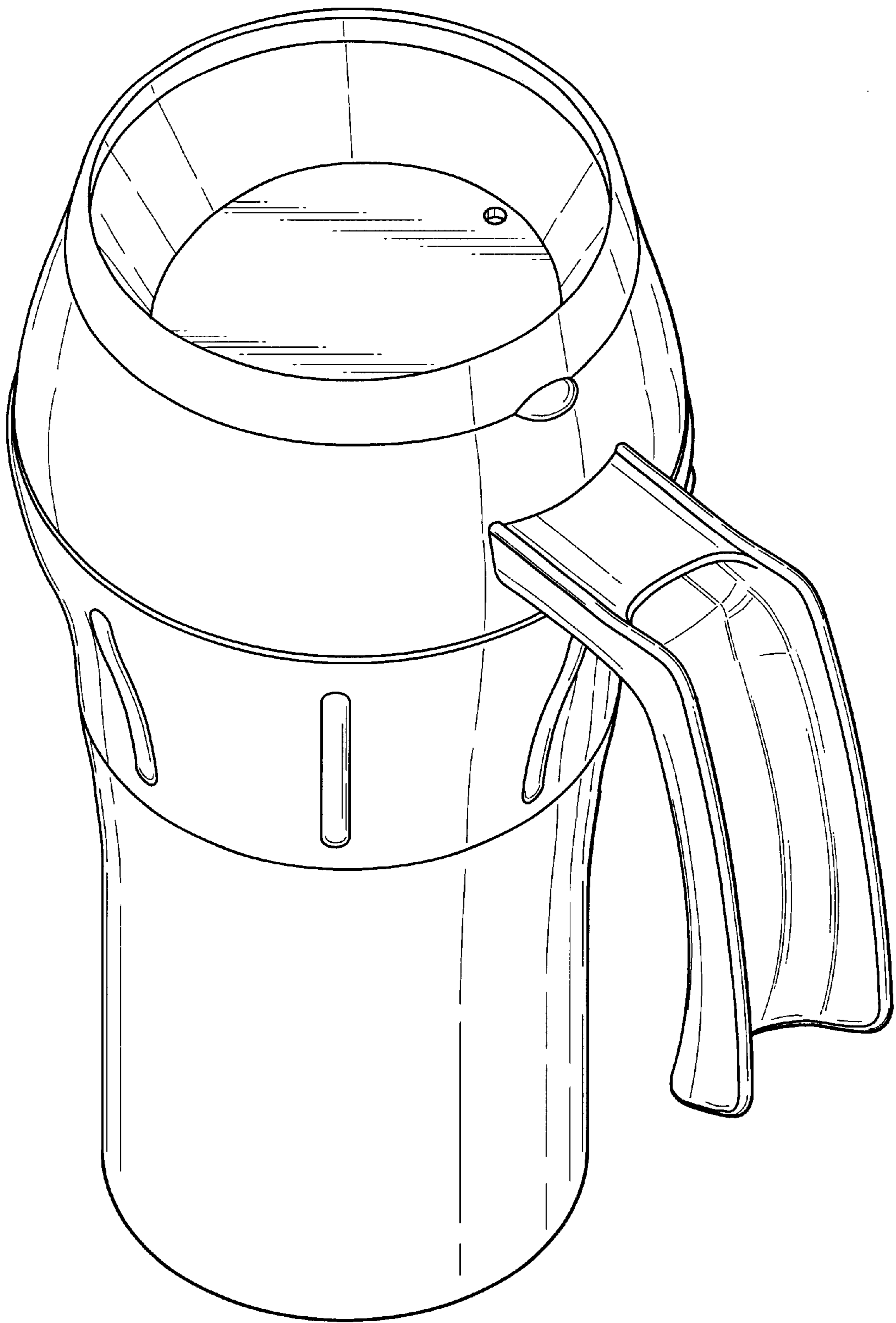
The ornamental design of a mug, as shown and described.

**DESCRIPTION**

FIG. 1 is a perspective view of our mug Design;  
 FIG. 2 is a plan view of our mug Design;  
 FIG. 3 is a side elevation of one side of our mug Design, it being understood that the opposite side of the mug is a mirror image of FIG. 3;  
 FIG. 4 is a front elevation of our mug Design;  
 FIG. 5 is a rear elevation of our mug Design; and,  
 FIG. 6 is a bottom view of our mug Design.

**1 Claim, 4 Drawing Sheets**





*Fig. 1*

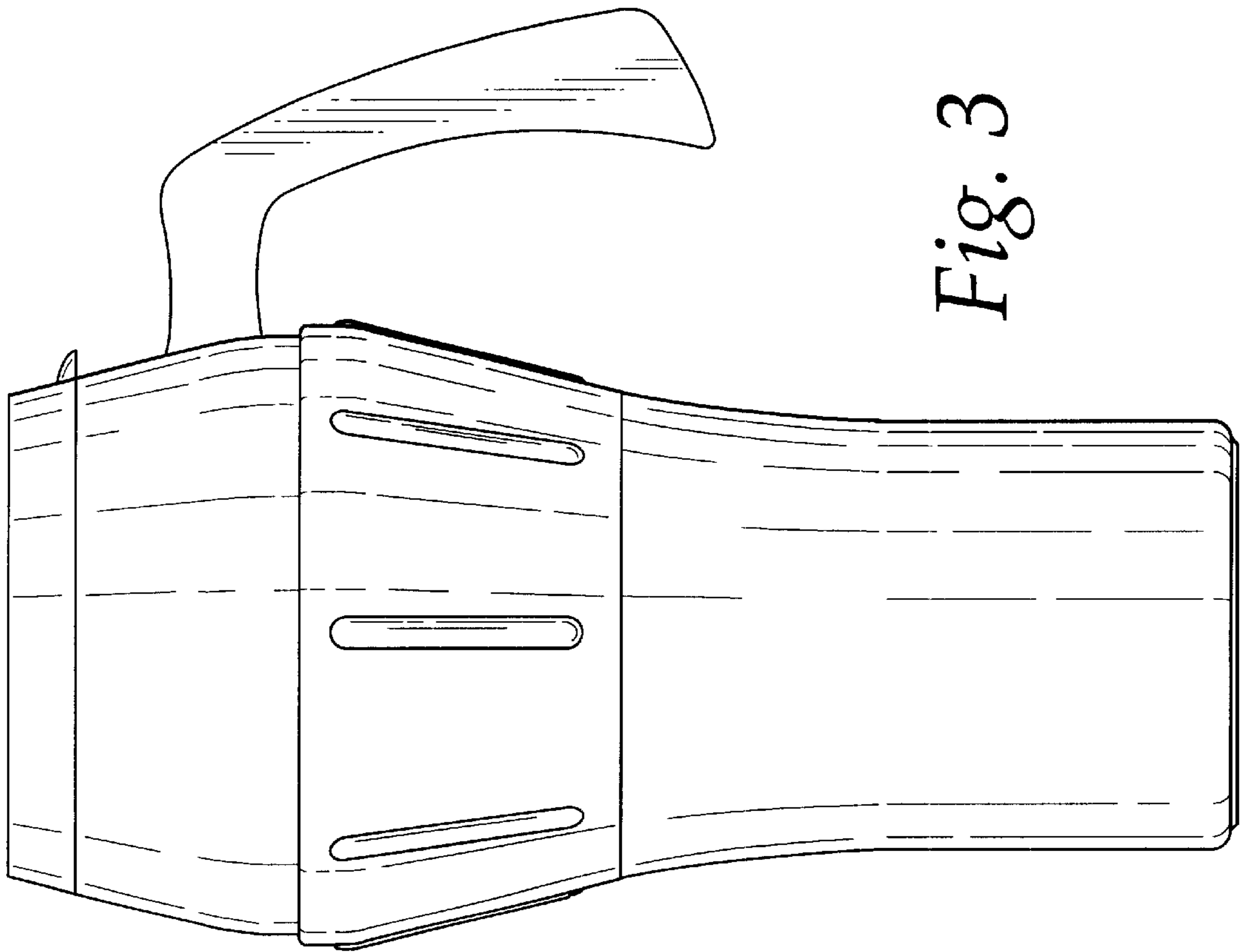


Fig. 3

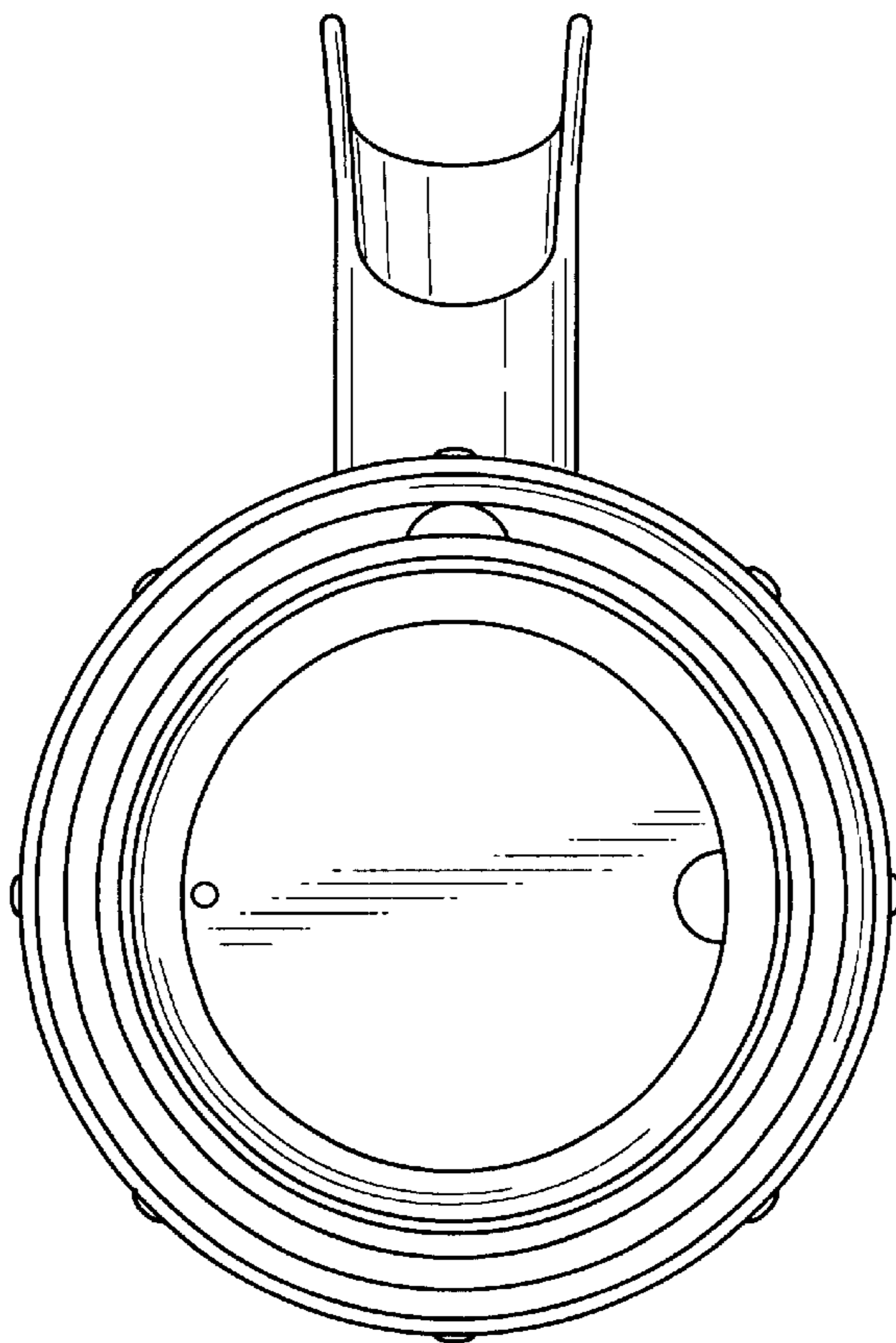


Fig. 2

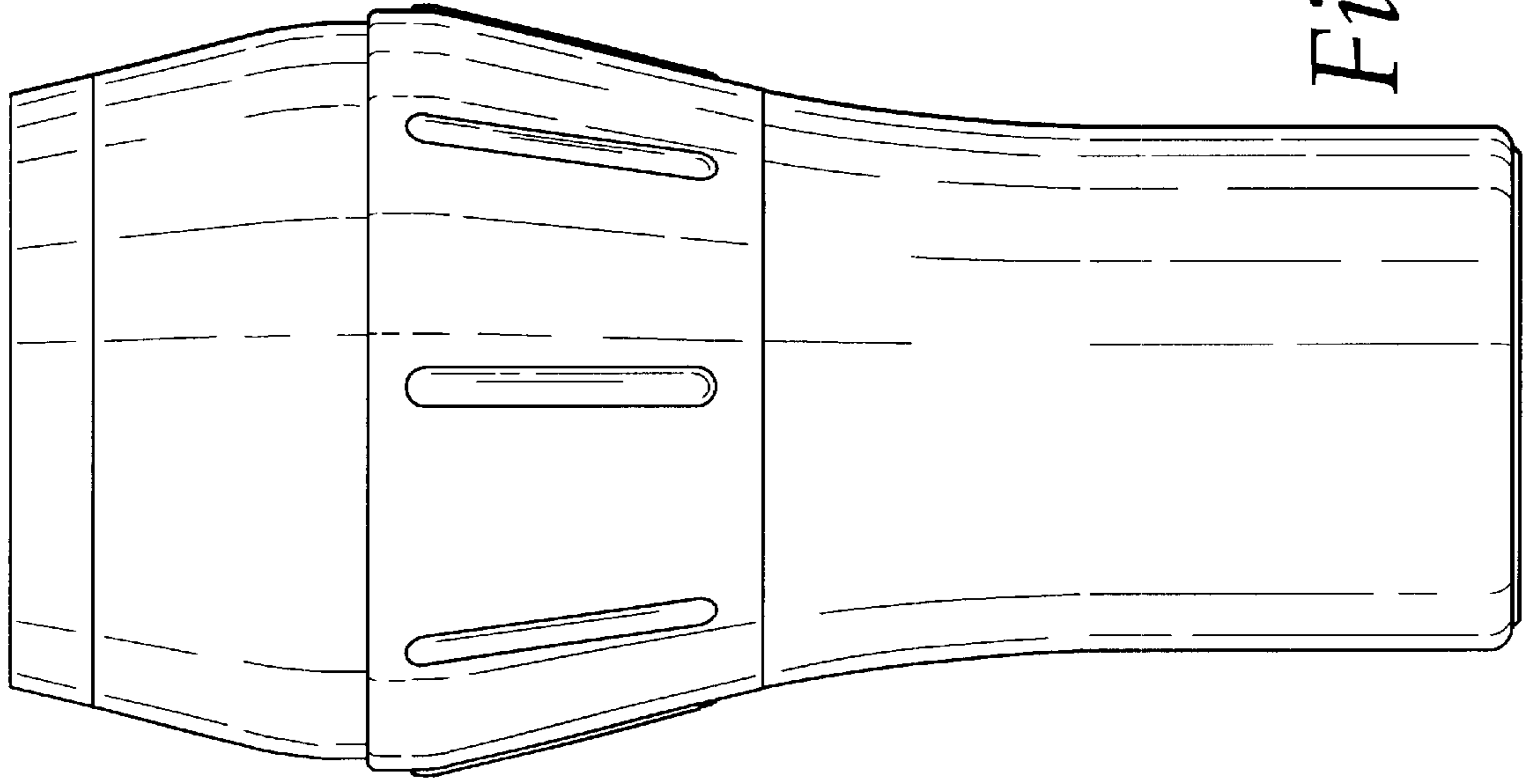


Fig. 5

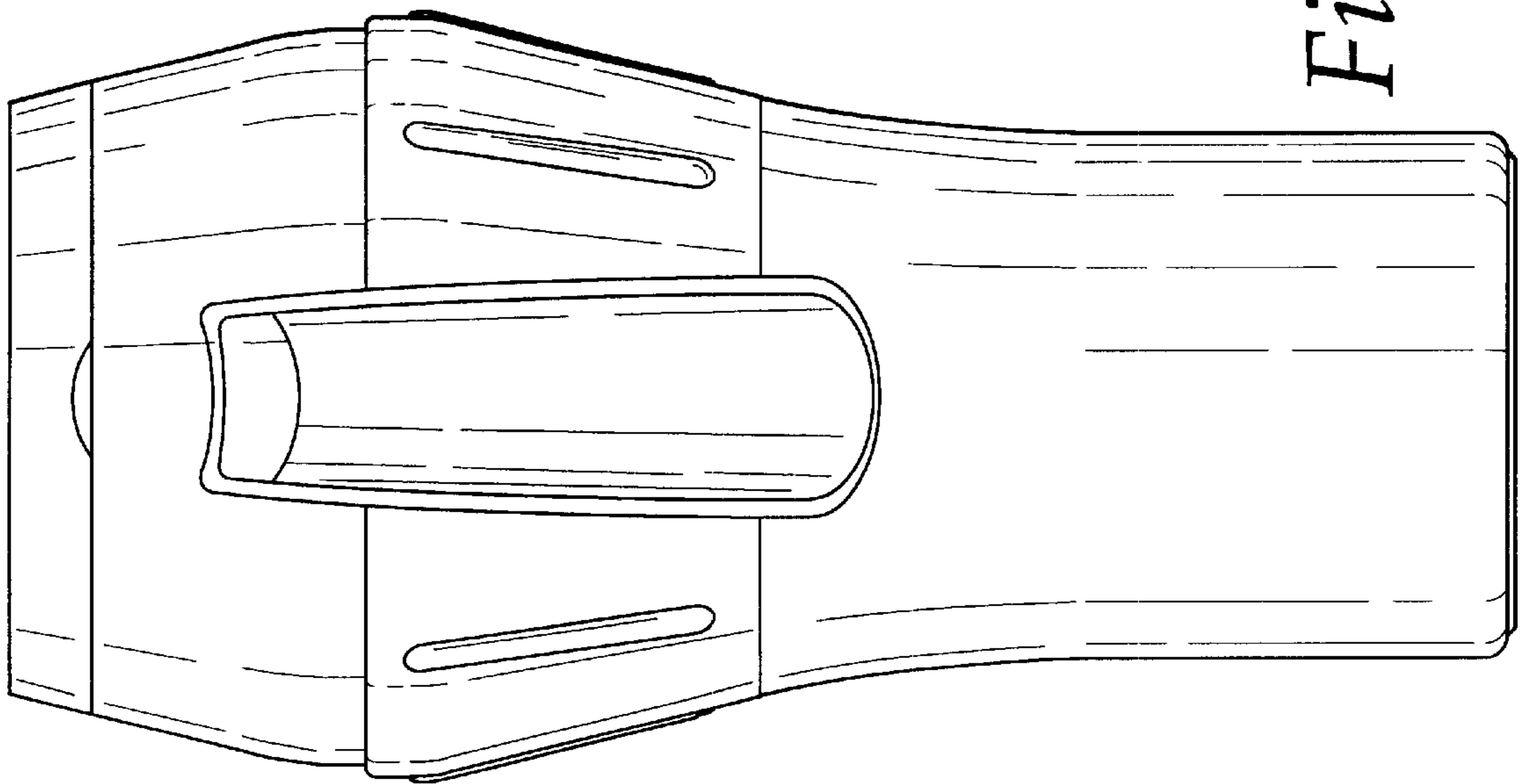
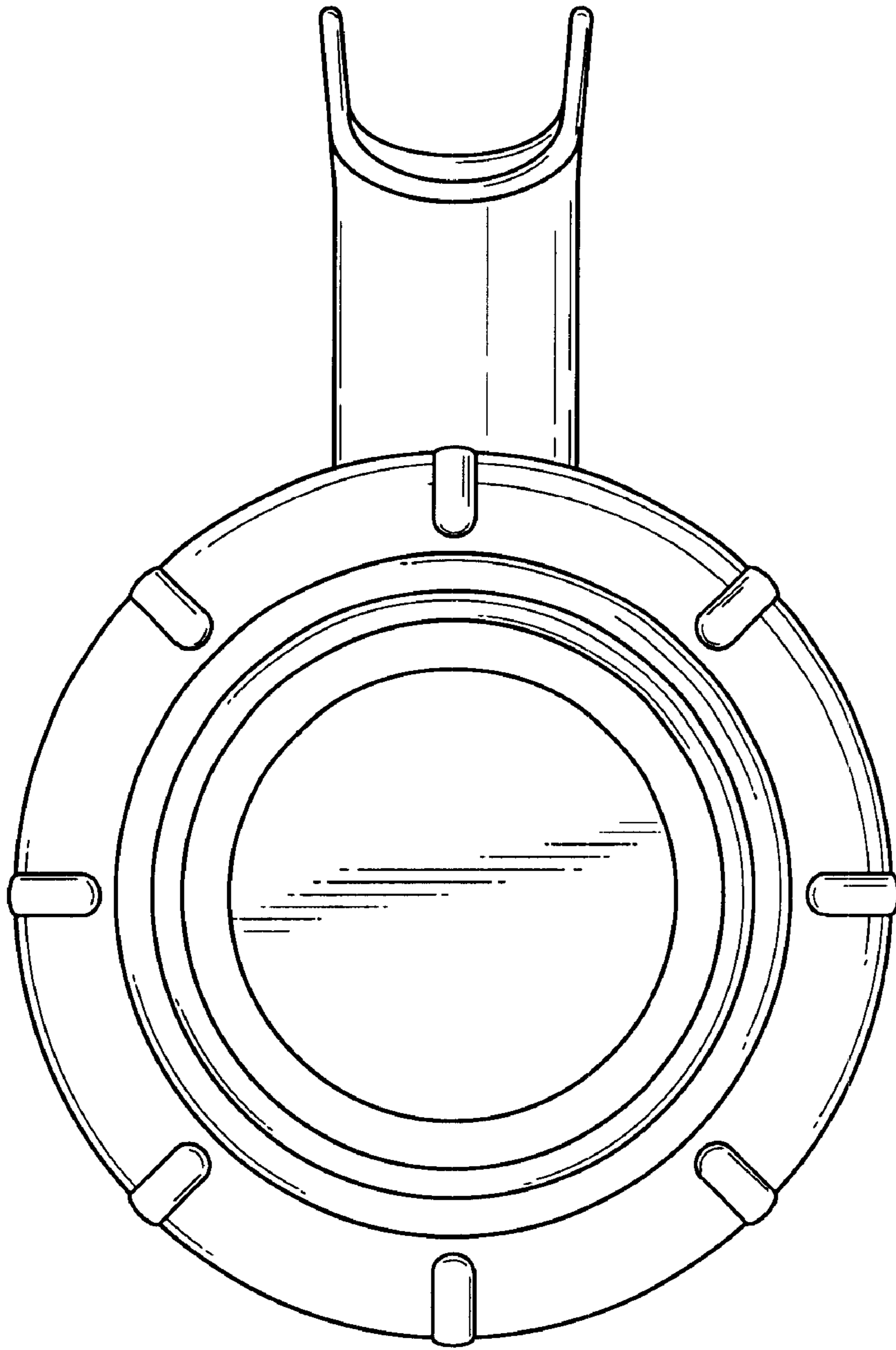


Fig. 4



*Fig. 6*