



US00D472097S

(12) **United States Design Patent**  
**Wu**

(10) **Patent No.:** **US D472,097 S**

(45) **Date of Patent:** **\*\* Mar. 25, 2003**

(54) **GRILLER**

(75) **Inventor:** **Tsan-Kuen Wu**, Tainan Hsien (TW)

(73) **Assignee:** **Tsann Kuen USA Inc.**, Pasadena, CA (US)

(\*\*) **Term:** **14 Years**

(21) **Appl. No.:** **29/155,912**

(22) **Filed:** **Feb. 19, 2002**

(51) **LOC (7) Cl.** ..... **07-02**

(52) **U.S. Cl.** ..... **D7/334**

(58) **Field of Search** ..... D7/402, 403, 404,  
D7/332-337; 126/25 R, 25 A, 25 AA, 41 R,  
38, 37, 9 R; 99/419, 421 R

(56) **References Cited**

**U.S. PATENT DOCUMENTS**

- D260,348 S \* 8/1981 Larson ..... D7/335
- D279,535 S \* 7/1985 Taylor et al. .... D7/334
- D333,941 S \* 3/1993 Hait ..... D7/335

- D395,979 S \* 7/1998 Picozza et al. .... D7/334
- D410,812 S \* 6/1999 Pai ..... D7/334
- D438,750 S \* 3/2001 Mashburn et al. .... D7/335
- D456,202 S \* 4/2002 McNair et al. .... D7/332

\* cited by examiner

*Primary Examiner*—Ruth McInroy

(74) *Attorney, Agent, or Firm*—MacPherson Kwok Chen & Heid LLP

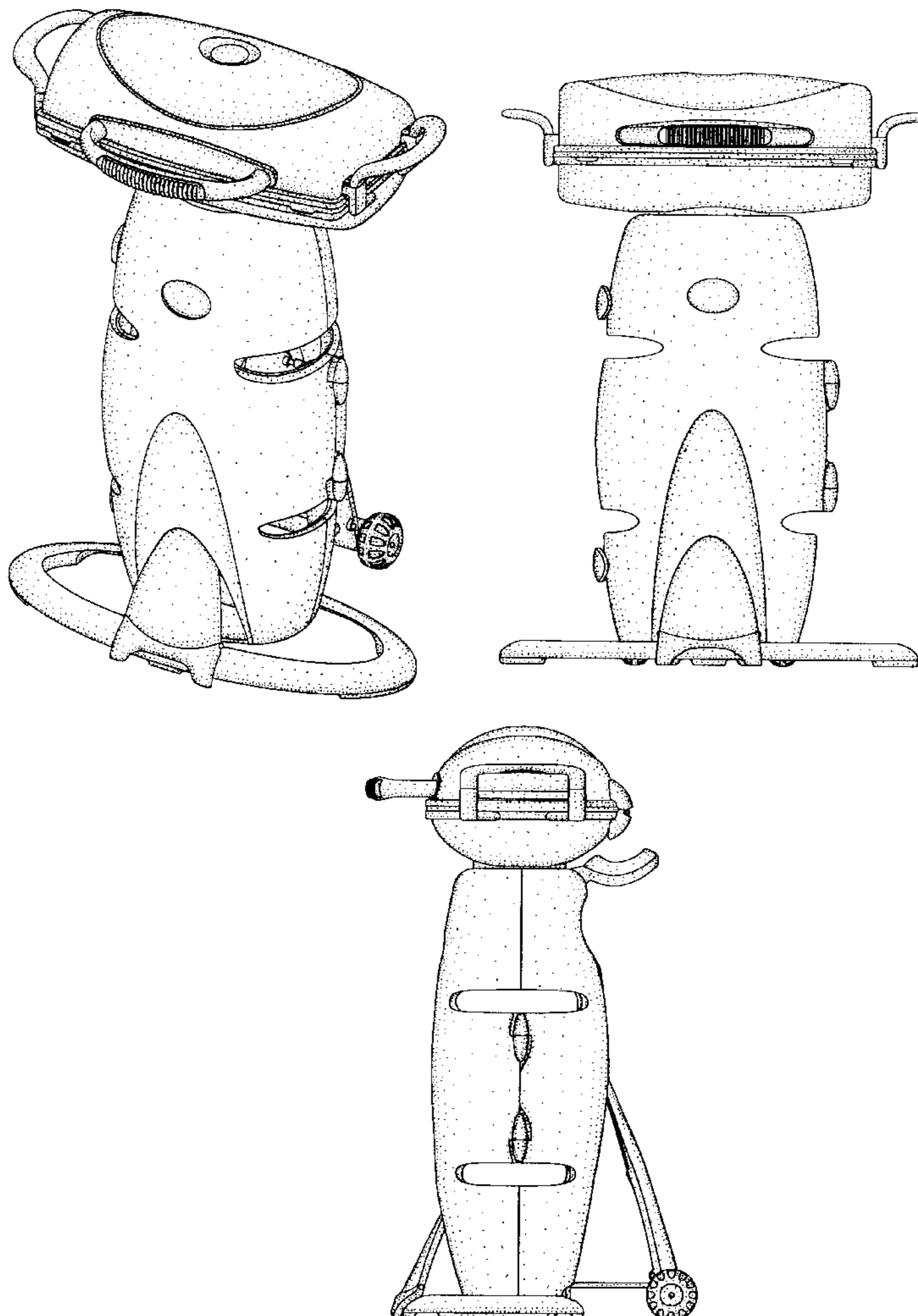
(57) **CLAIM**

The ornamental design for griller, as shown and described.

**DESCRIPTION**

FIG. 1 is a perspective view of griller showing my new design;  
 FIG. 2 is a front elevational view thereof;  
 FIG. 3 is a rear elevational view thereof;  
 FIG. 4 is a left side elevational view thereof;  
 FIG. 5 is a right side elevational view thereof;  
 FIG. 6 is a top plan view thereof; and,  
 FIG. 7 is a bottom plan view thereof.

**1 Claim, 4 Drawing Sheets**



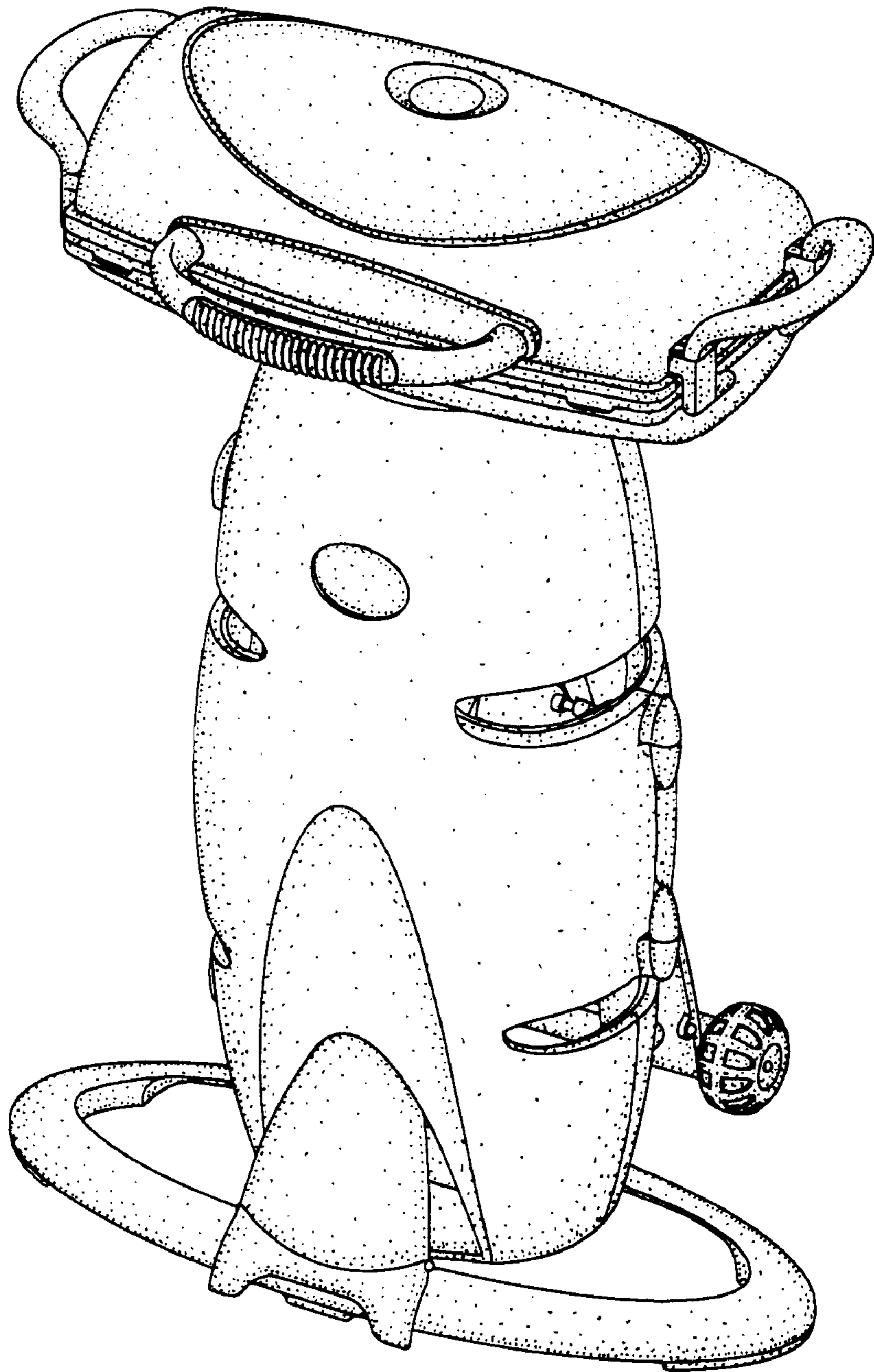


FIG. 1

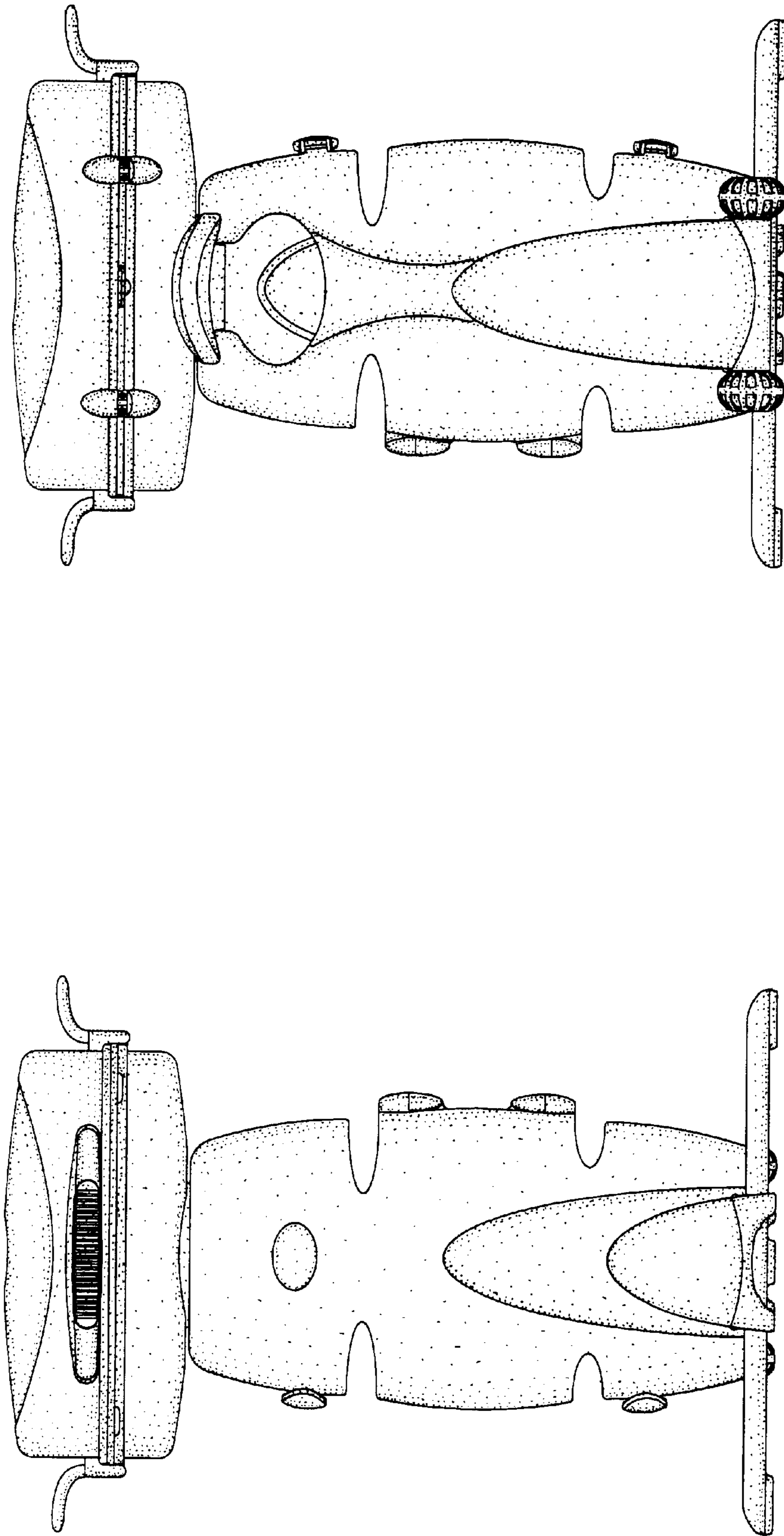


FIG. 3

FIG. 2

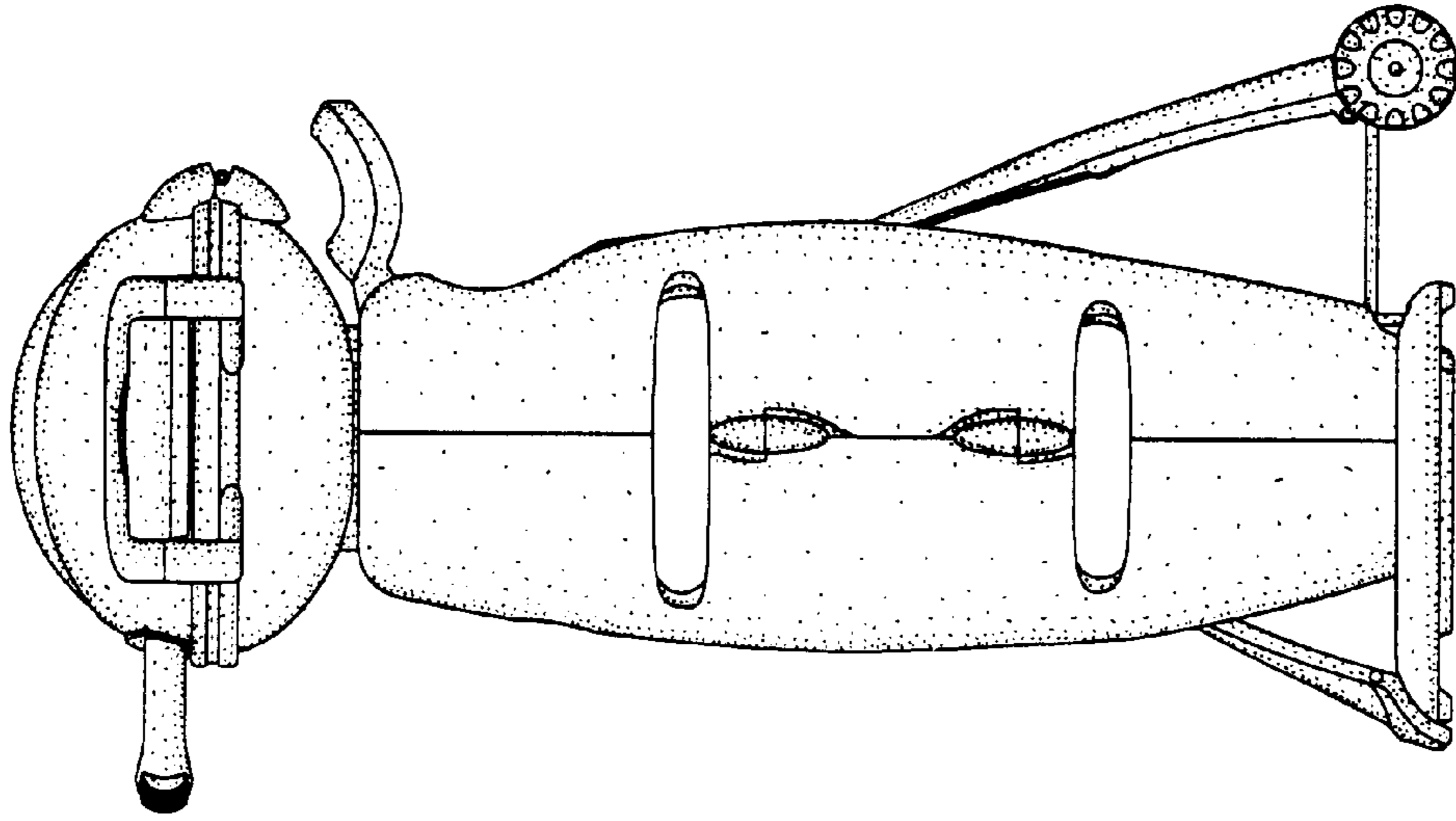


FIG. 5

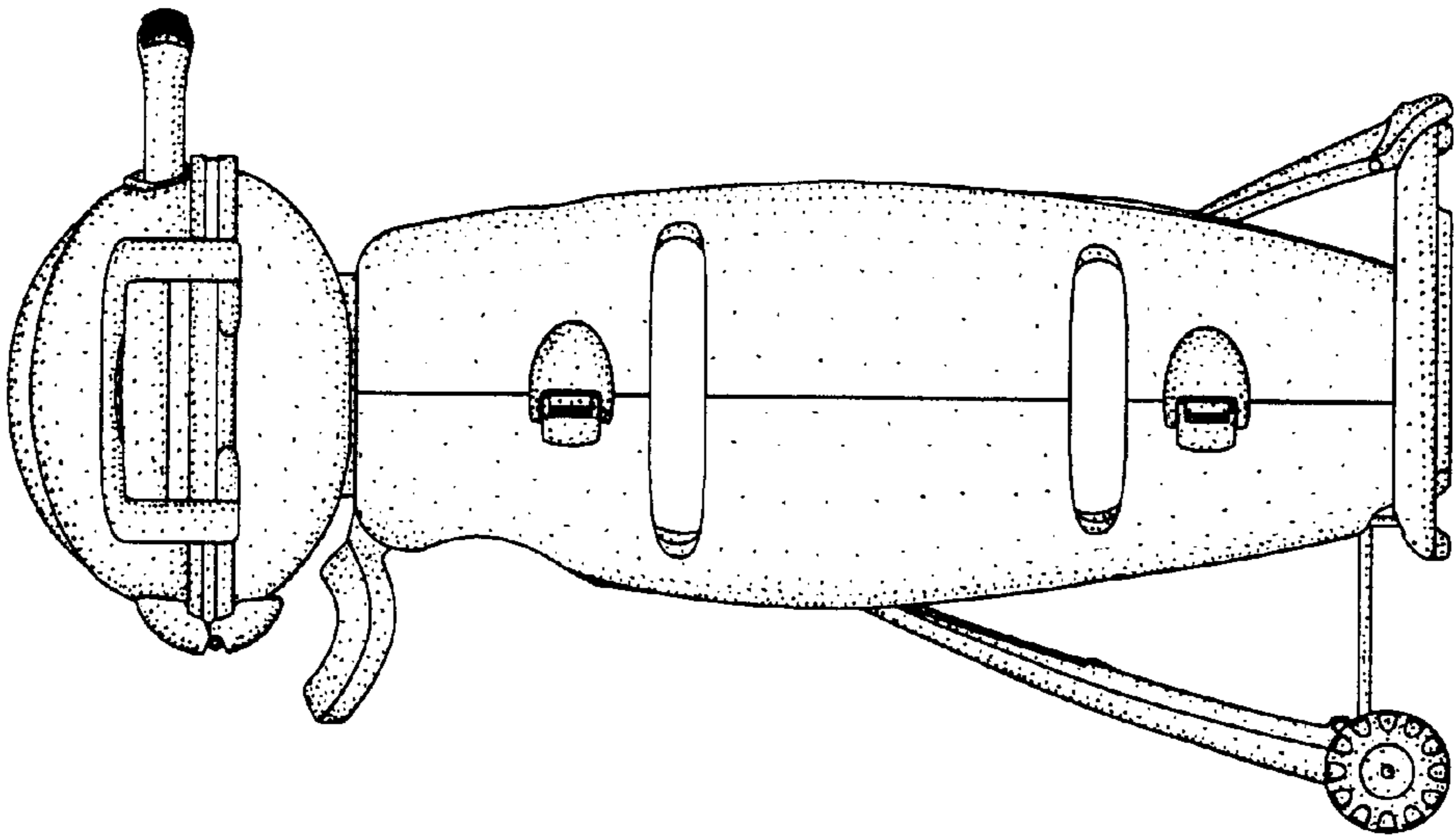


FIG. 4

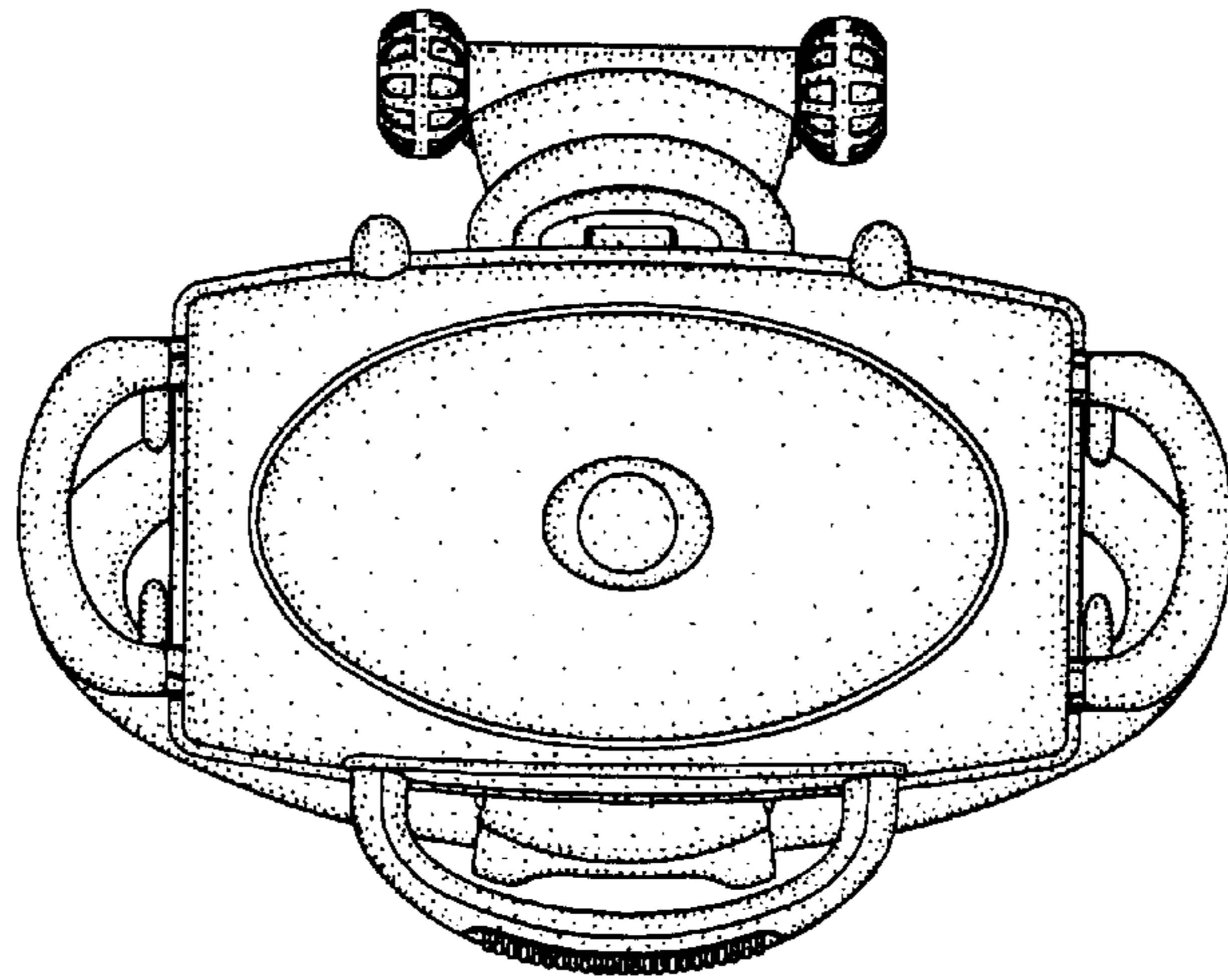


FIG. 6

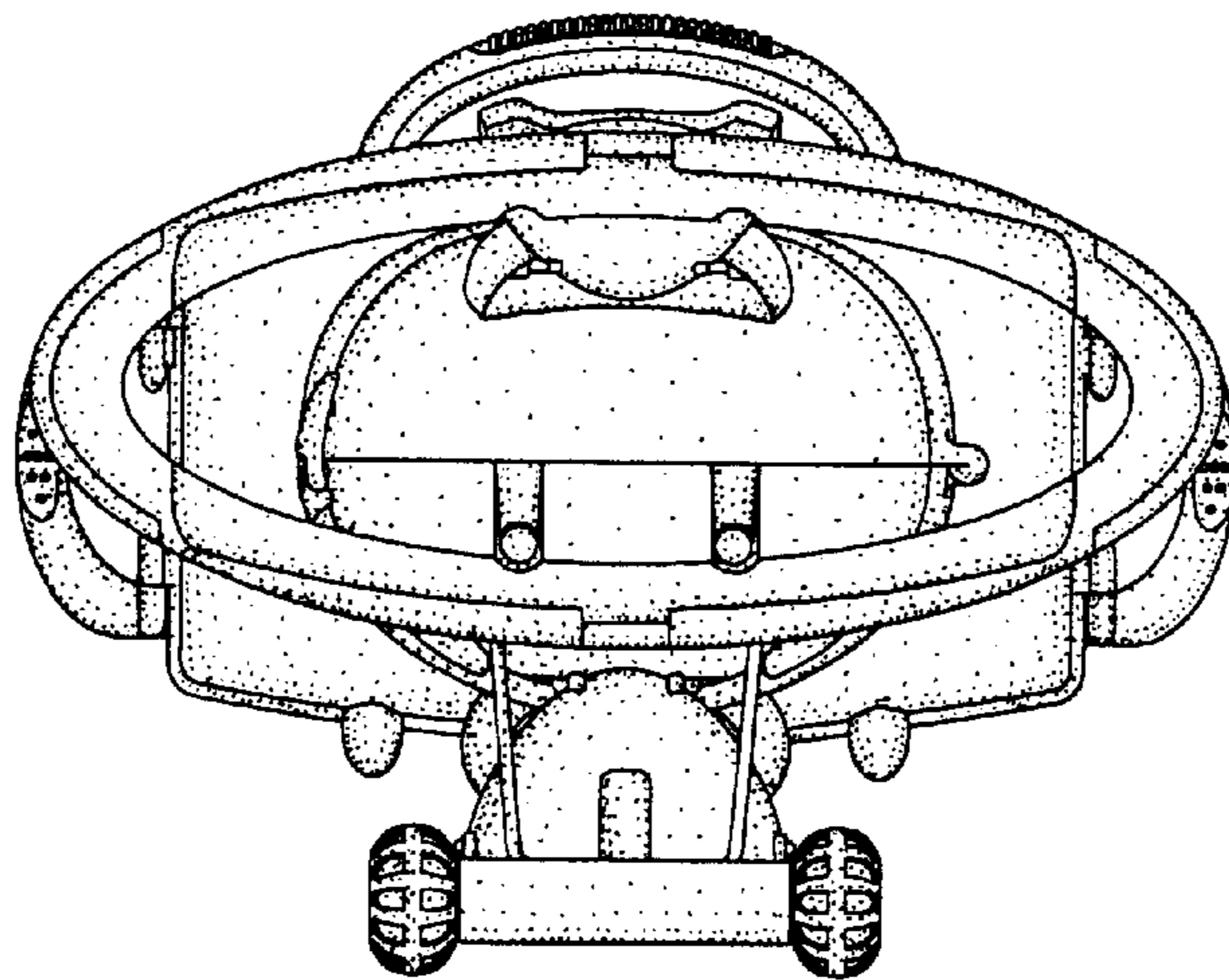


FIG. 7