



US00D472096S

(12) **United States Design Patent**
Christianson

(10) **Patent No.:** **US D472,096 S**

(45) **Date of Patent:** **** Mar. 25, 2003**

(54) **WINE AERATOR**

D461,357 S * 8/2002 Harrison et al. D7/306
6,439,549 B1 * 8/2002 Lööv 261/121.1

(75) Inventor: **Tristan M. Christianson**, San Francisco, CA (US)

OTHER PUBLICATIONS

(73) Assignee: **Sharper Image Corporation**, San Francisco, CA (US)

“The Sharper Image” catalog, published by Sharper Image Corporation Issue of Nov. 2002, p. 19.
Webpage download on Oct. 28, 2002 from www.Sharper-image.com/us/en/catalog/productview.jhtml?&sku=SI508BLK.

(**) Term: **14 Years**

* cited by examiner

(21) Appl. No.: **29/166,618**

(22) Filed: **Aug. 30, 2002**

Primary Examiner—M. N. Pandozzi

(51) **LOC (7) Cl.** **07-01**

(52) **U.S. Cl.** **D7/300; D7/300.1**

(58) **Field of Search** D7/300, 300.1,
D7/306, 312, 313, 602, 605, 619; 99/323.1;
261/124, 30; 222/183, 185.1, 538, 146.6;
D9/540

(74) *Attorney, Agent, or Firm*—Fliesler Dubb Meyer & Lovejoy LLP

(57) **CLAIM**

The ornamental design for a wine aerator, as shown and described.

(56) **References Cited**

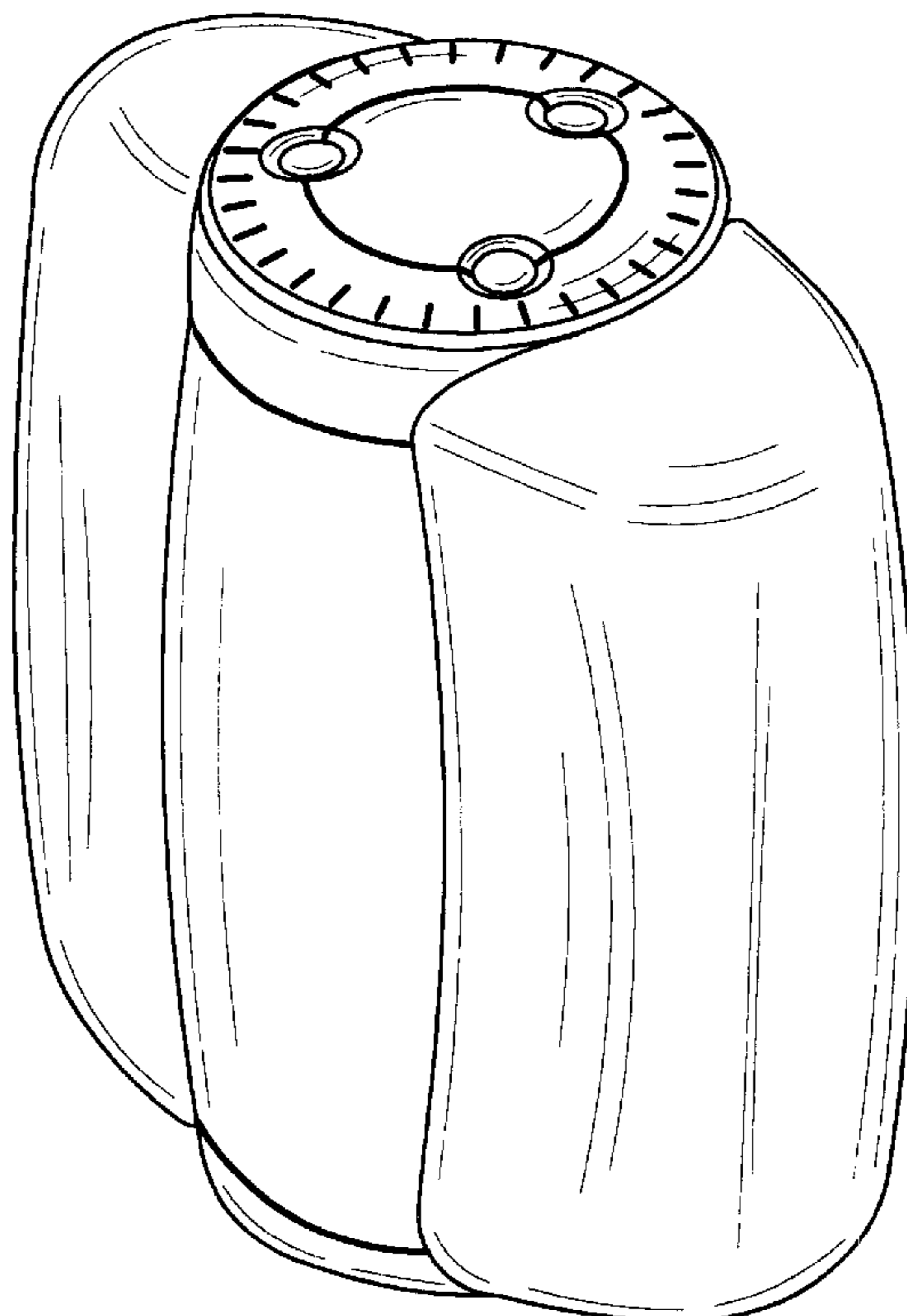
DESCRIPTION

U.S. PATENT DOCUMENTS

- 3,865,276 A * 2/1975 Thompson 222/146.6
- 4,440,328 A * 4/1984 Freitas 222/538
- D276,021 S * 10/1984 Mabb D7/300
- 5,260,081 A * 11/1993 Stumphauzer et al. 426/477
- 5,595,104 A 1/1997 Delaplaine 99/323.1
- 5,870,944 A * 2/1999 Zalm et al. 99/323.2
- D443,792 S * 6/2001 Peters et al. D7/306
- 6,332,706 B1 * 12/2001 Hall 366/274
- D454,467 S * 3/2002 Magermans et al. D7/313

FIG. 1 is a front perspective view of a wine aerator showing my new design;
FIG. 2 is a front view; The rear view is a mirror image and not shown;
FIG. 3 is a right side view thereof. The left side view is a mirror image and not shown;
FIG. 4 is a top view thereof; and,
FIG. 5 is a bottom view thereof.

1 Claim, 3 Drawing Sheets



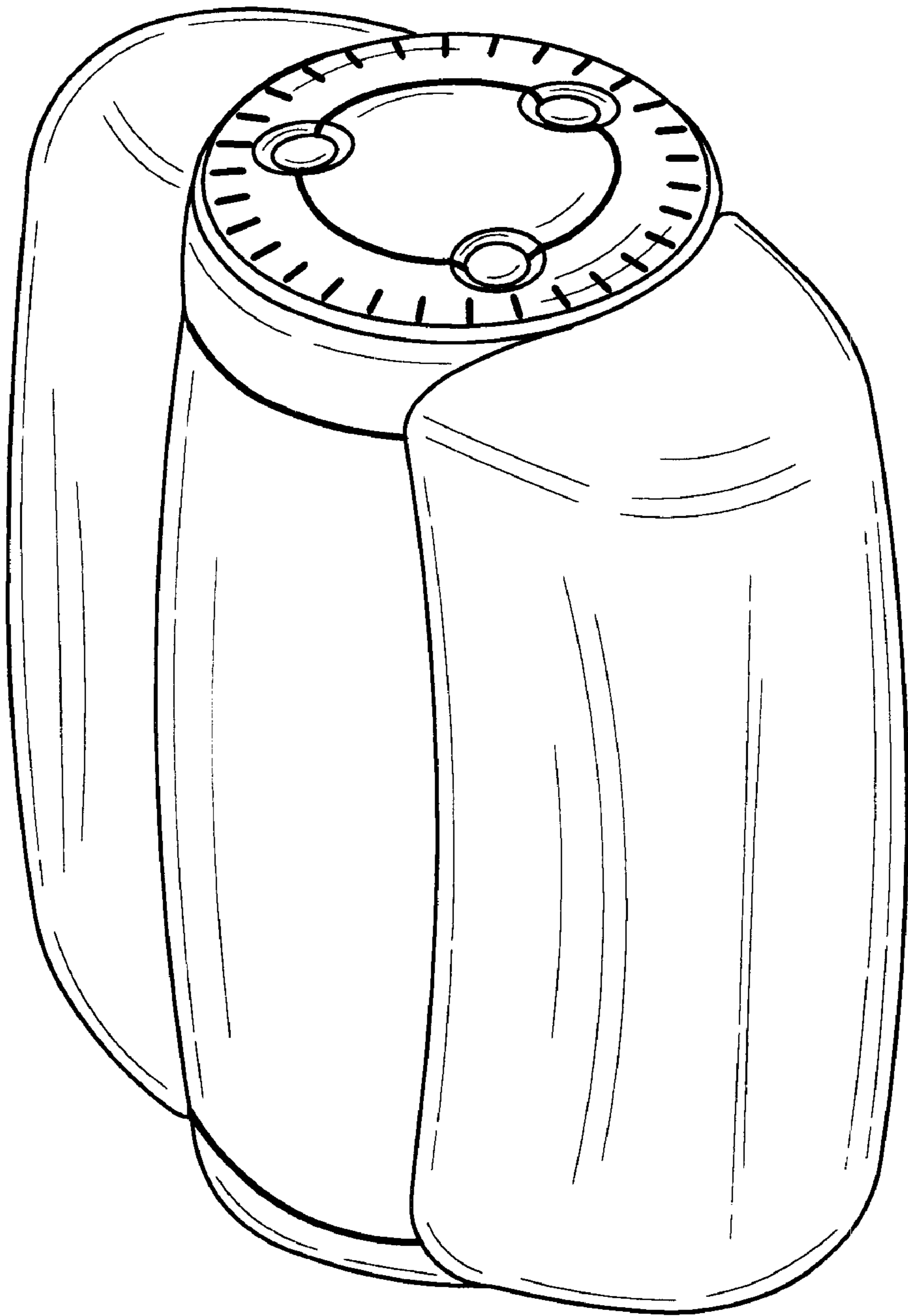


FIG. 1

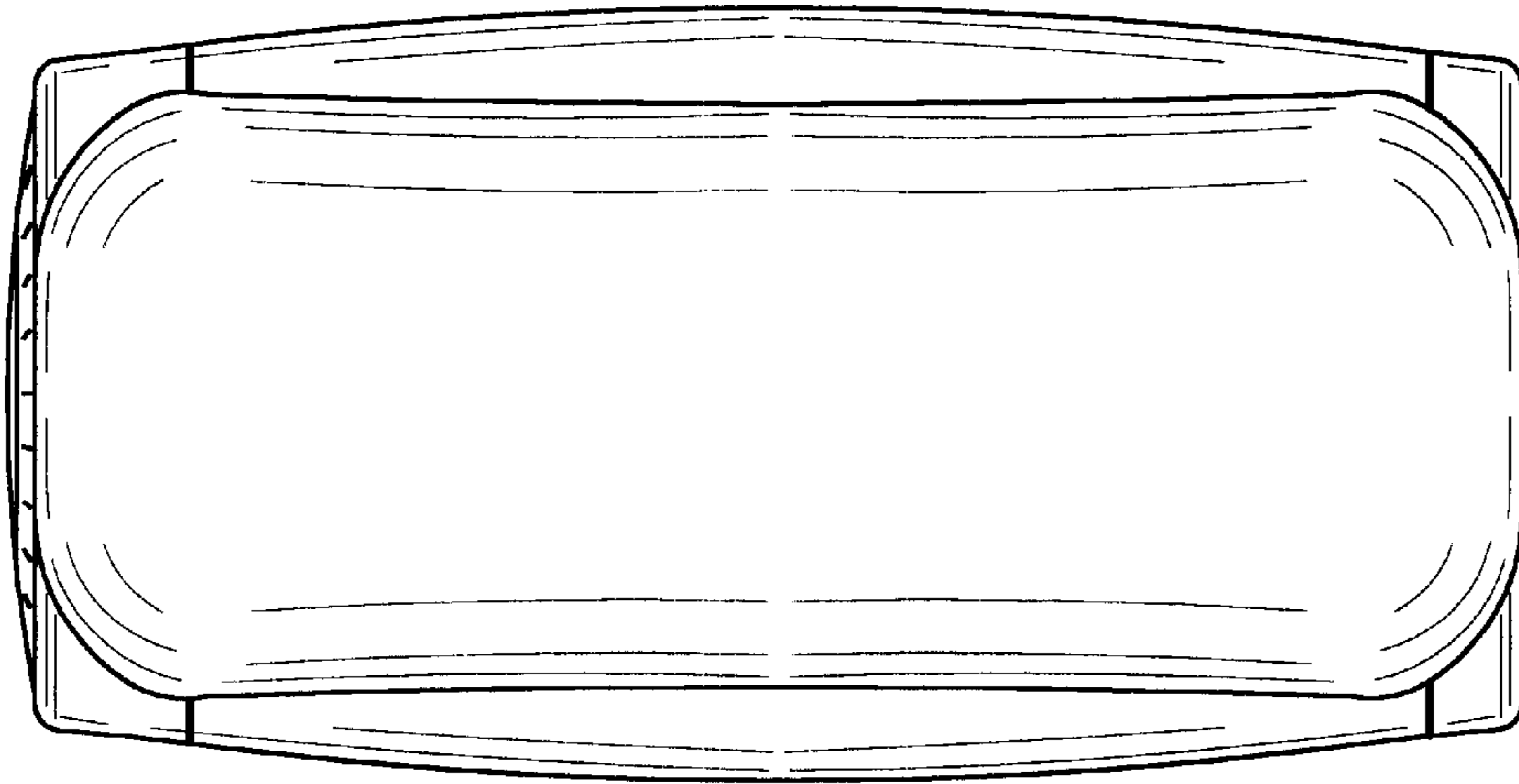


FIG. 3

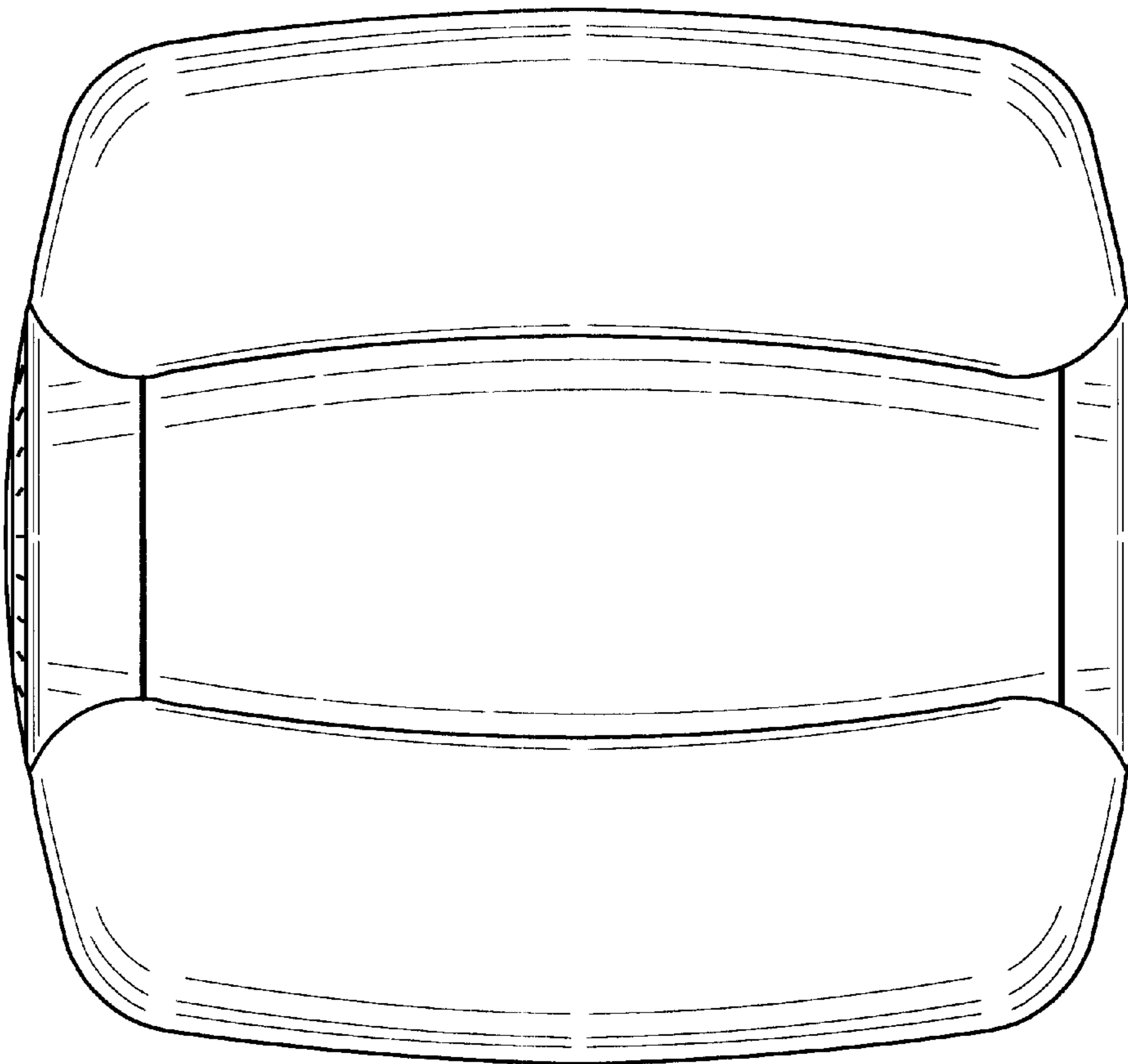


FIG. 2

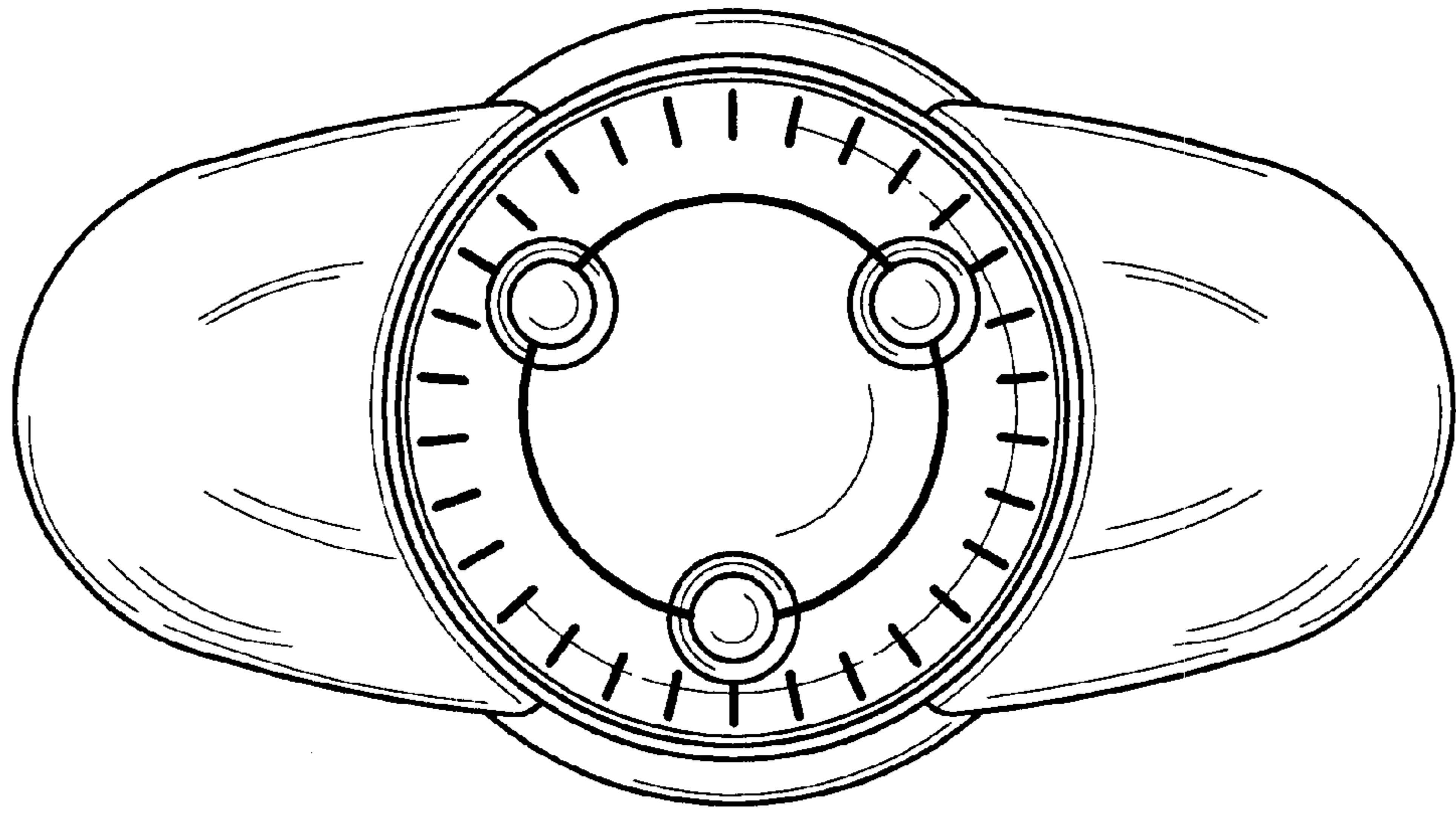


FIG. 4

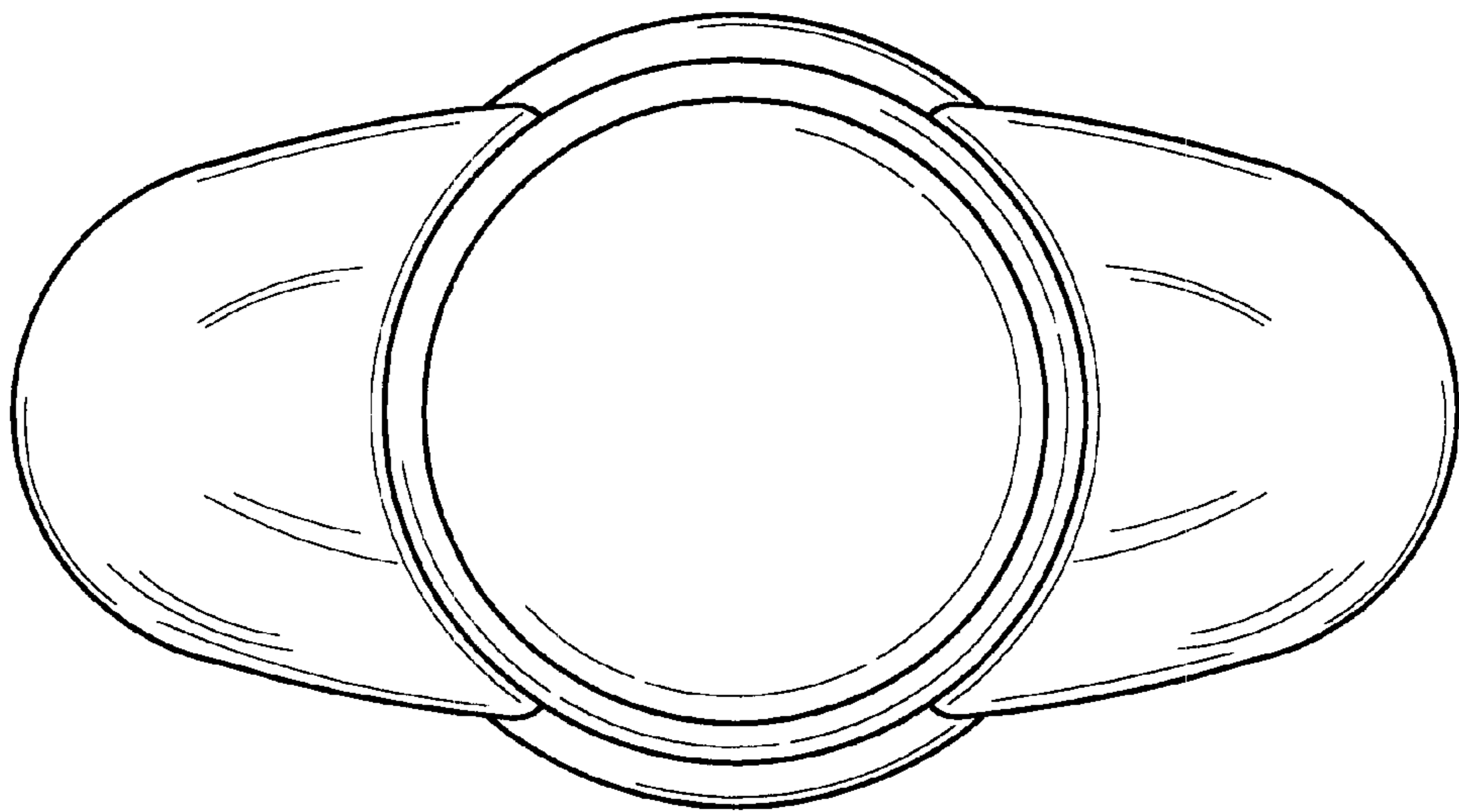


FIG. 5