



US00D472091S

(12) **United States Design Patent**
Bell

(10) **Patent No.:** **US D472,091 S**

(45) **Date of Patent:** **** Mar. 25, 2003**

(54) **ONE-PIECE HOOK FOR RETAINING SCOOTERS AND SKATEBOARDS**

D354,872 S * 1/1995 Dix D6/552
6,293,412 B1 * 9/2001 Draper 211/85.7 X

(75) Inventor: **Mark A. Bell**, Saugus, CA (US)

* cited by examiner

(73) Assignee: **Bell Innovative Products, Inc.**, Sylmar, CA (US)

Primary Examiner—Brian N. Vinson

(74) *Attorney, Agent, or Firm*—Thomas I. Rozsa; Tony D. Chen

(**) Term: **14 Years**

(57) **CLAIM**

(21) Appl. No.: **29/156,024**

The ornamental design for a one-piece hook for retaining scooters and skateboards, as shown and described.

(22) Filed: **Feb. 21, 2002**

DESCRIPTION

(51) **LOC (7) Cl.** **08-08**

(52) **U.S. Cl.** **D6/552**

(58) **Field of Search** D6/552; 211/13.1,
211/85.7, 34-35, 86.01, 87.01, 89.01, 106.01;
248/309.1, 312

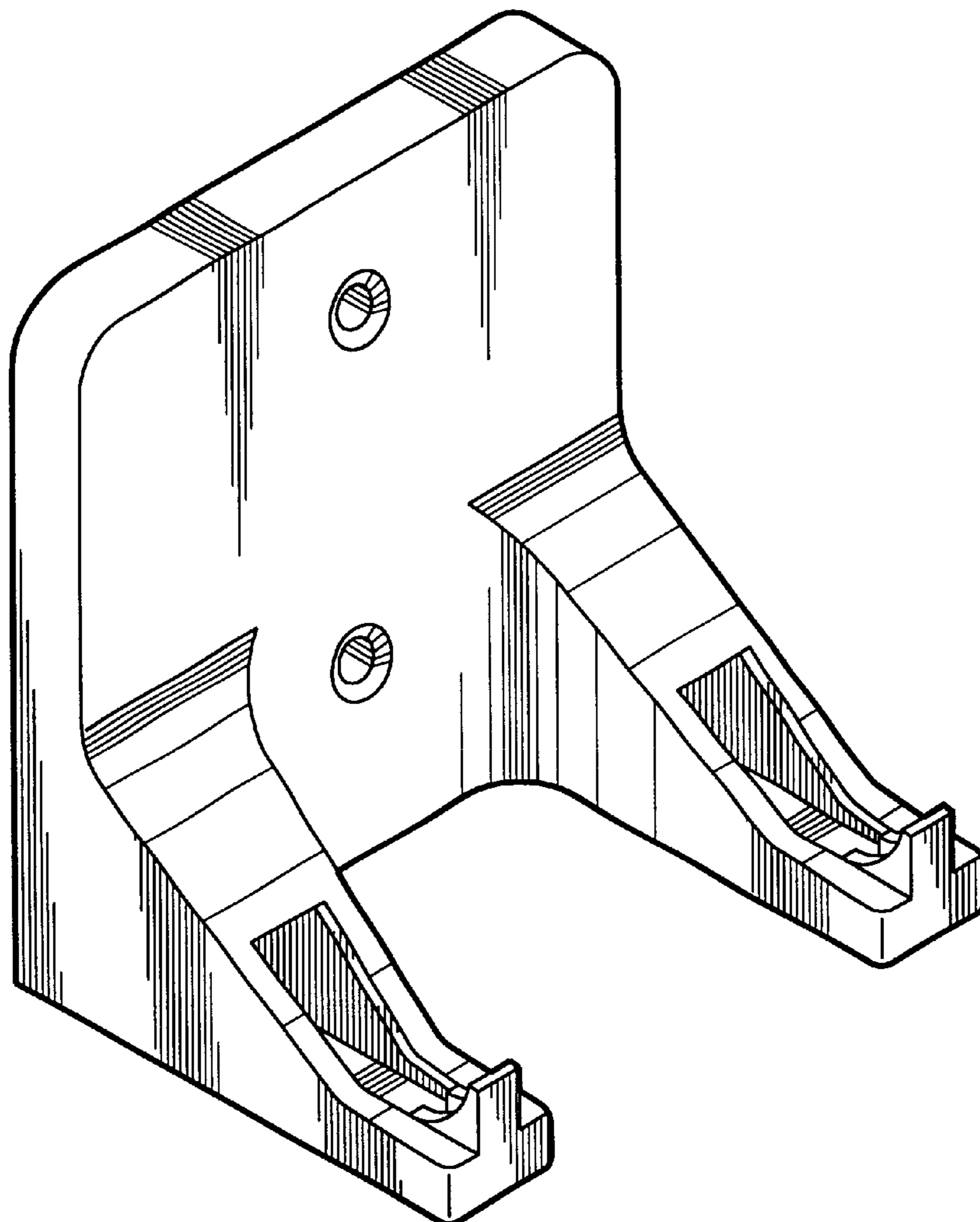
FIG. 1 is a perspective view of the one-piece hook for retaining scooters and skateboards, showing my new design; FIG. 2 is a front elevational view thereof; FIG. 3 is a rear elevational view thereof; FIG. 4 is a side elevational view thereof, the other side being a mirror image; FIG. 5 is a top plan view thereof; and, FIG. 6 is a bottom plan view thereof.

(56) **References Cited**

U.S. PATENT DOCUMENTS

5,305,897 A * 4/1994 Smith 211/85.7

1 Claim, 2 Drawing Sheets



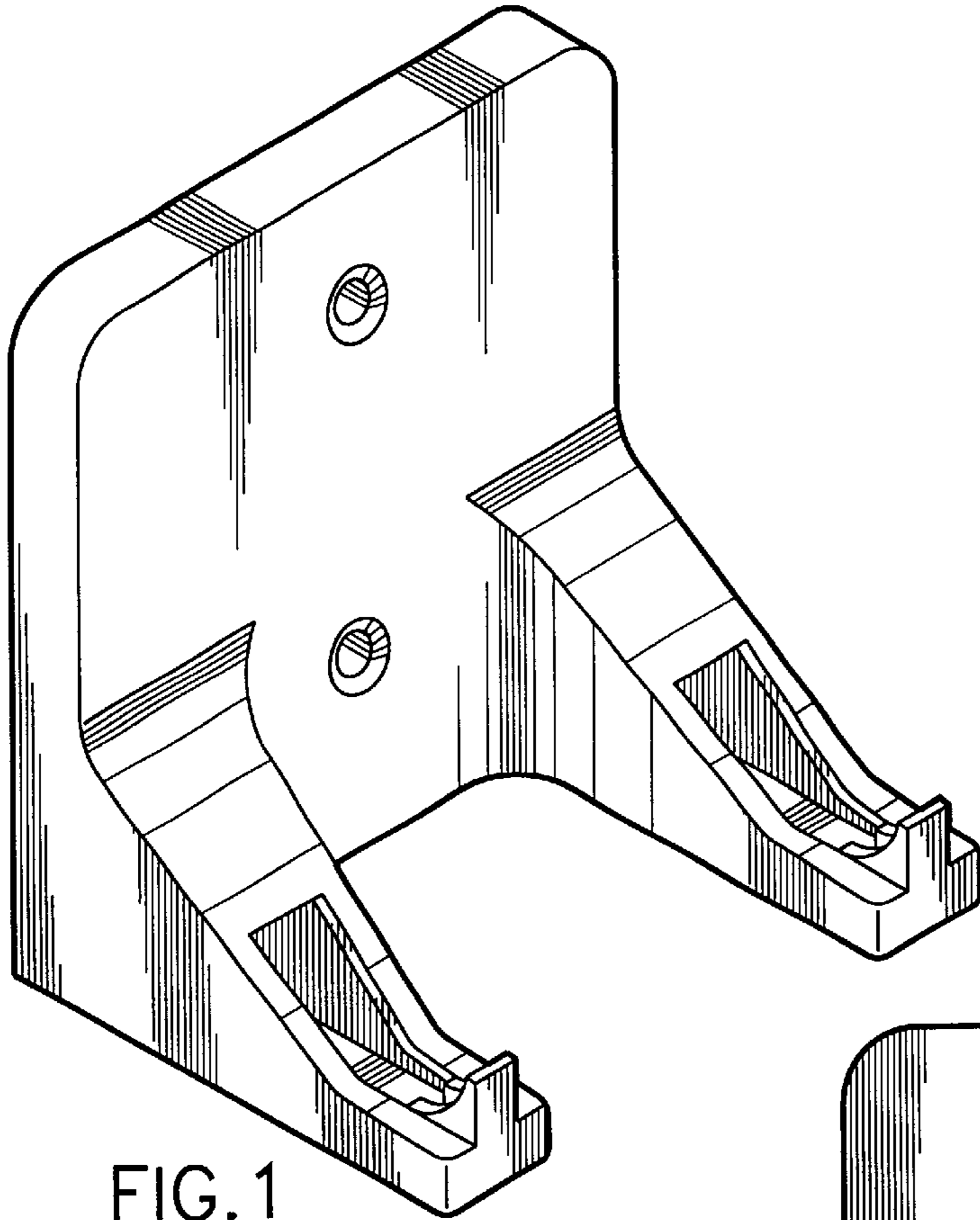


FIG. 1

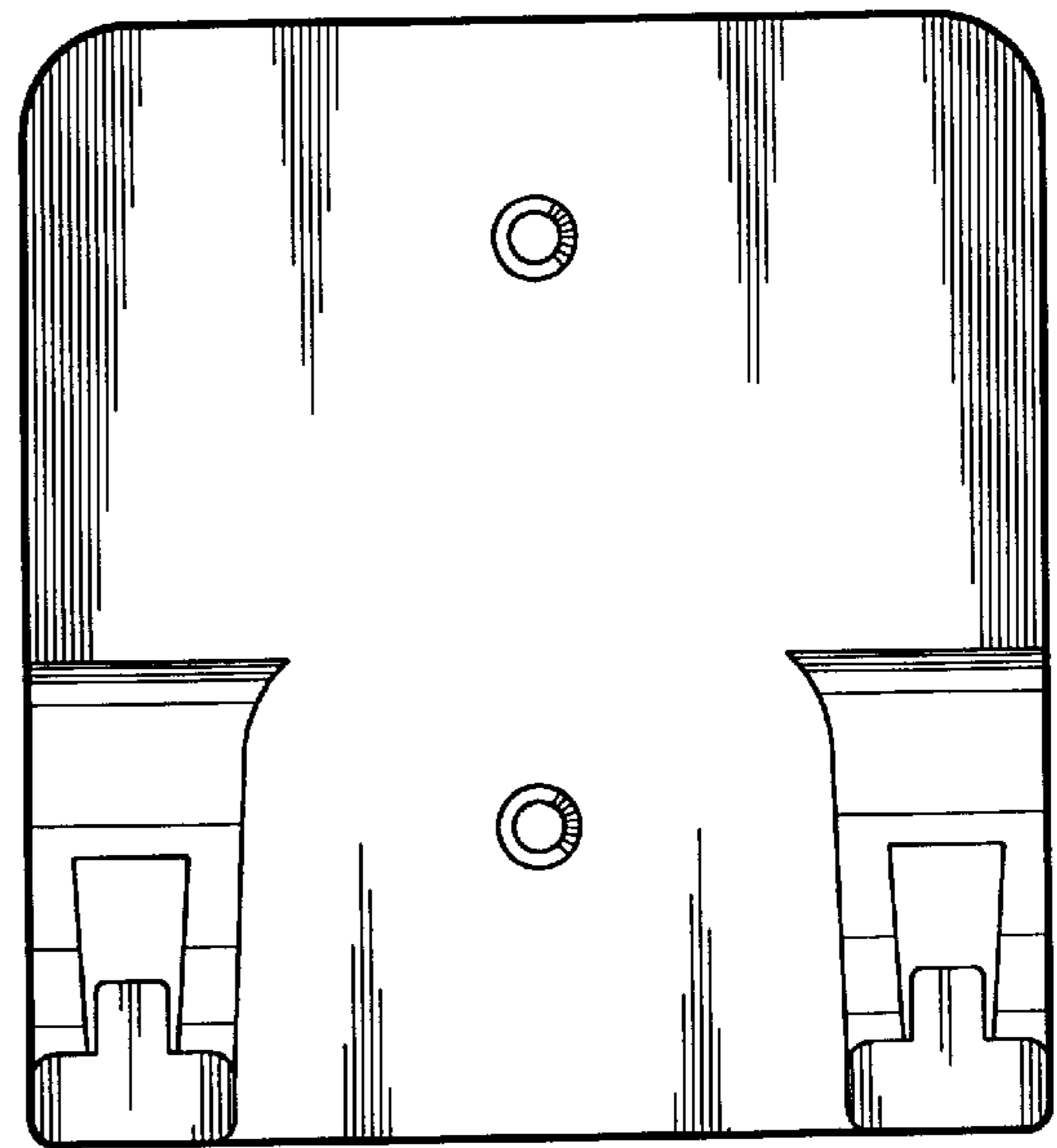


FIG. 2

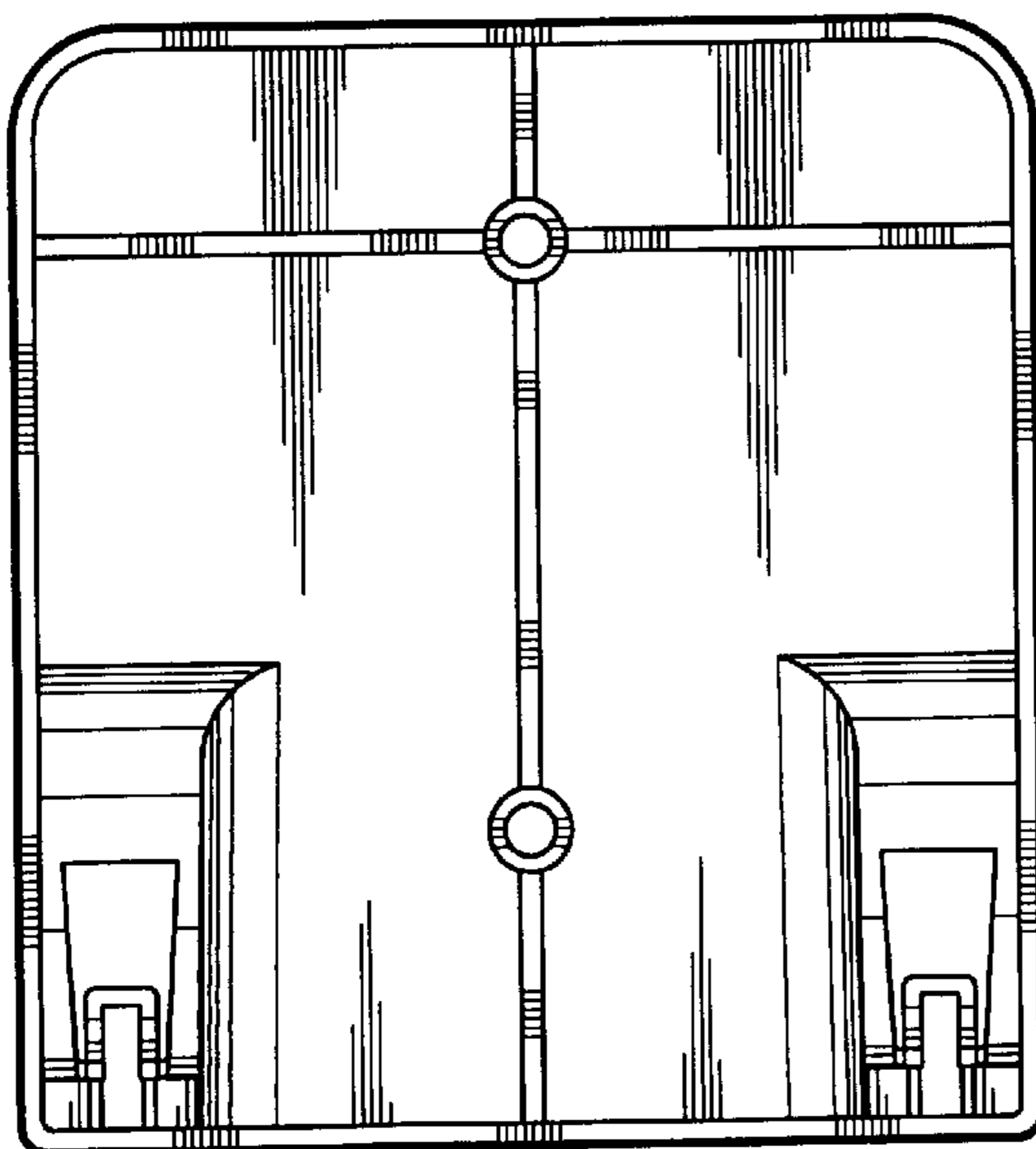


FIG. 3

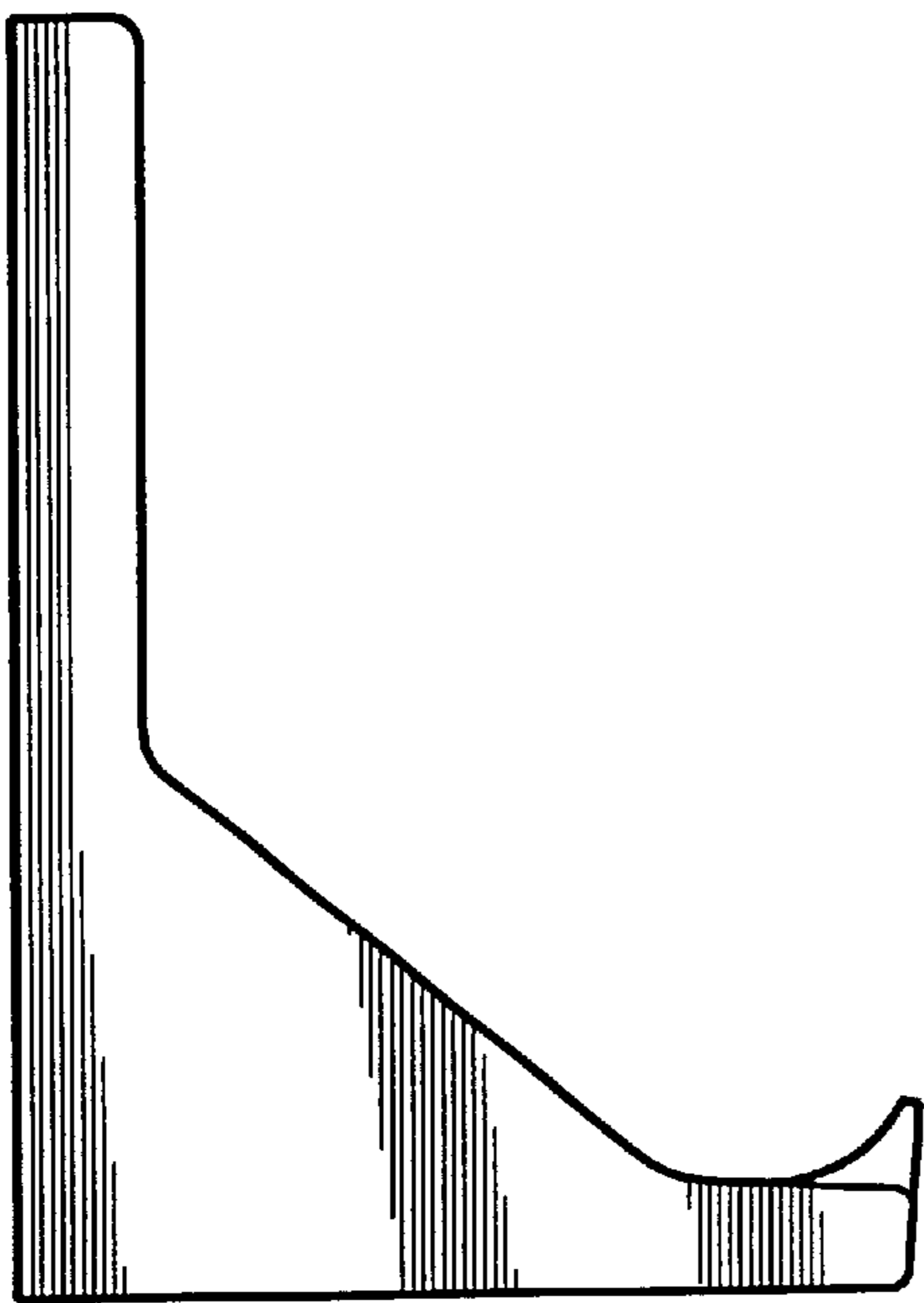


FIG. 4

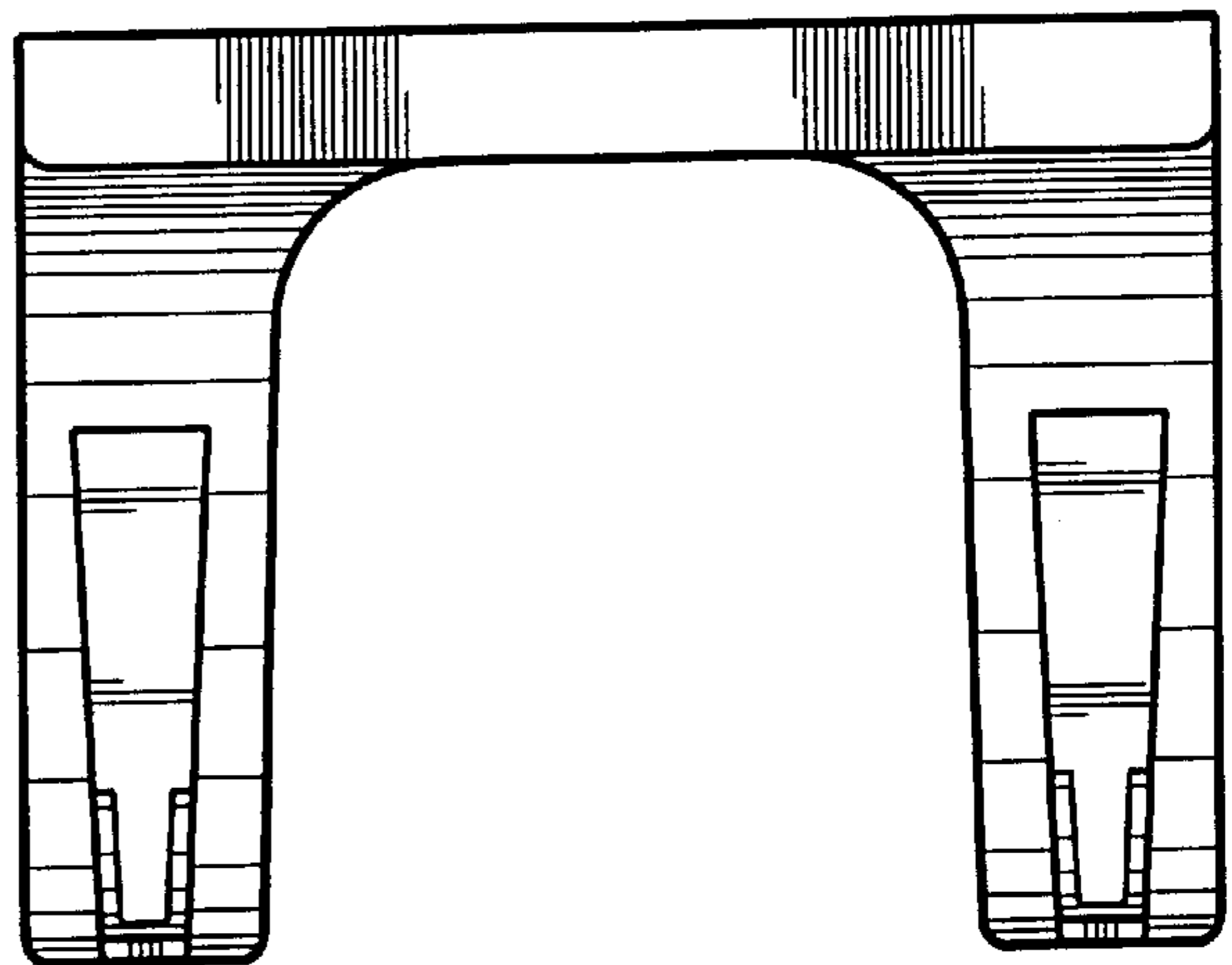


FIG. 5

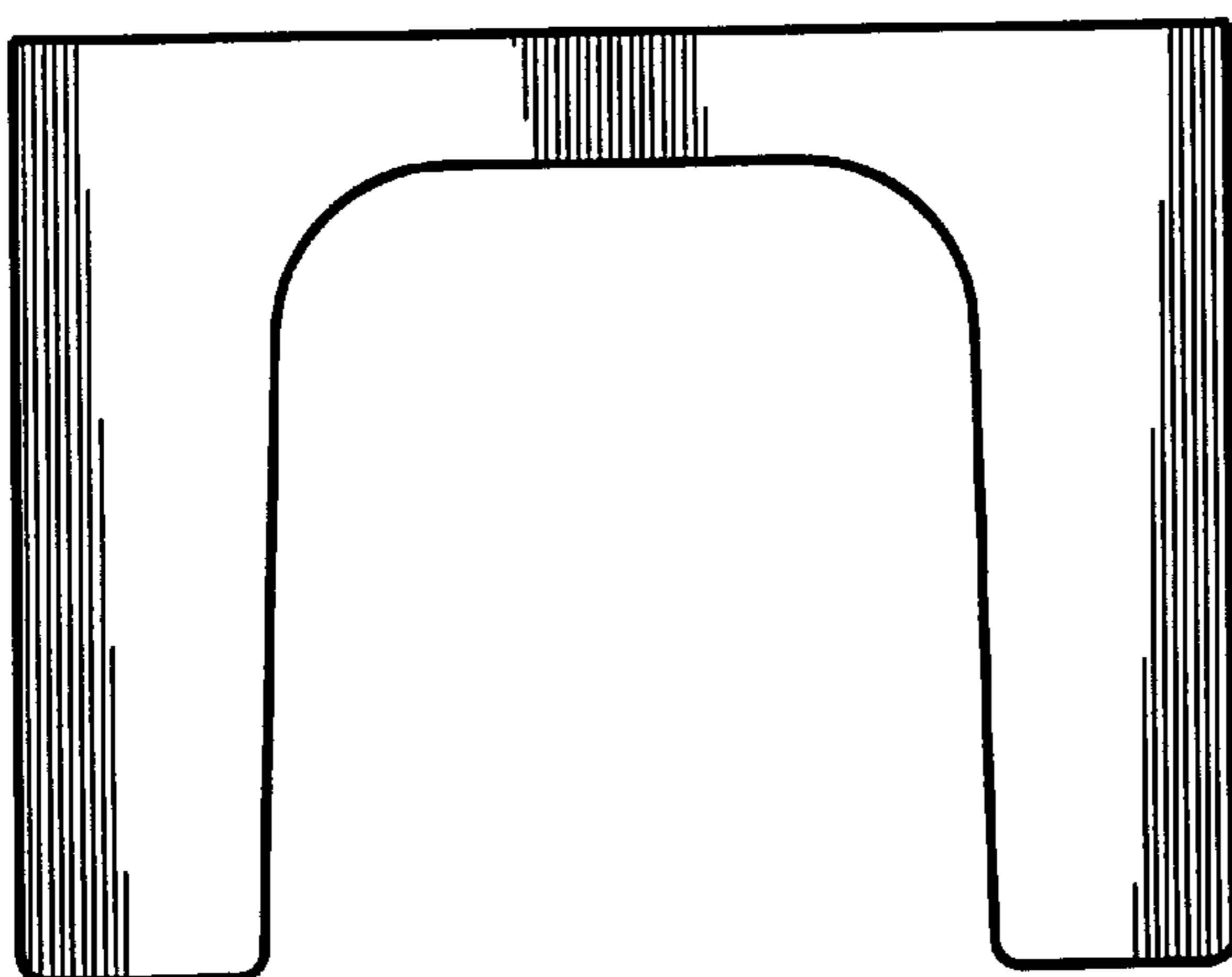


FIG. 6