



US00D472089S

(12) **United States Design Patent**
Goodman et al.

(10) **Patent No.:** **US D472,089 S**

(45) **Date of Patent:** **** Mar. 25, 2003**

(54) **TOWEL BAR**

(75) Inventors: **Sheldon H. Goodman**, 30905 Stratford,
Solon, OH (US) 44139; **Kent W.**
Murphy, Wooster, OH (US)

(73) Assignee: **Sheldon H. Goodman**, Solon, OH (US)

(**) Term: **14 Years**

(21) Appl. No.: **29/158,175**

(22) Filed: **Apr. 1, 2002**

(51) **LOC (7) Cl.** **06-04**

(52) **U.S. Cl.** **D6/549**

(58) **Field of Search** D6/546-50, 518,
D6/522-24; D8/300, 307-308, 315-20;
108/29; 211/13.1, 16, 60.1, 86.01, 87.01,
88.04, 105.1-105.2, 106, 123, 181.1; 242/570,
588-90, 597-98; 248/49, 175, 200-201,
205.1, 251-54, 261, 302, 304, 309.1, 314-17,
214

(56) **References Cited**

U.S. PATENT DOCUMENTS

D179,083 S * 10/1956 Hurwitz D6/549
D423,856 S * 5/2000 Duggan D6/549

D432,842 S * 10/2000 Gastelum et al. D6/549
D439,093 S * 3/2001 Goodman et al. D6/549
D458,787 S * 6/2002 Meck et al. D6/523
D461,353 S * 8/2002 Gilbert D6/549

* cited by examiner

Primary Examiner—Brian N. Vinson

(74) *Attorney, Agent, or Firm*—Pearne & Gordon LLP

(57) **CLAIM**

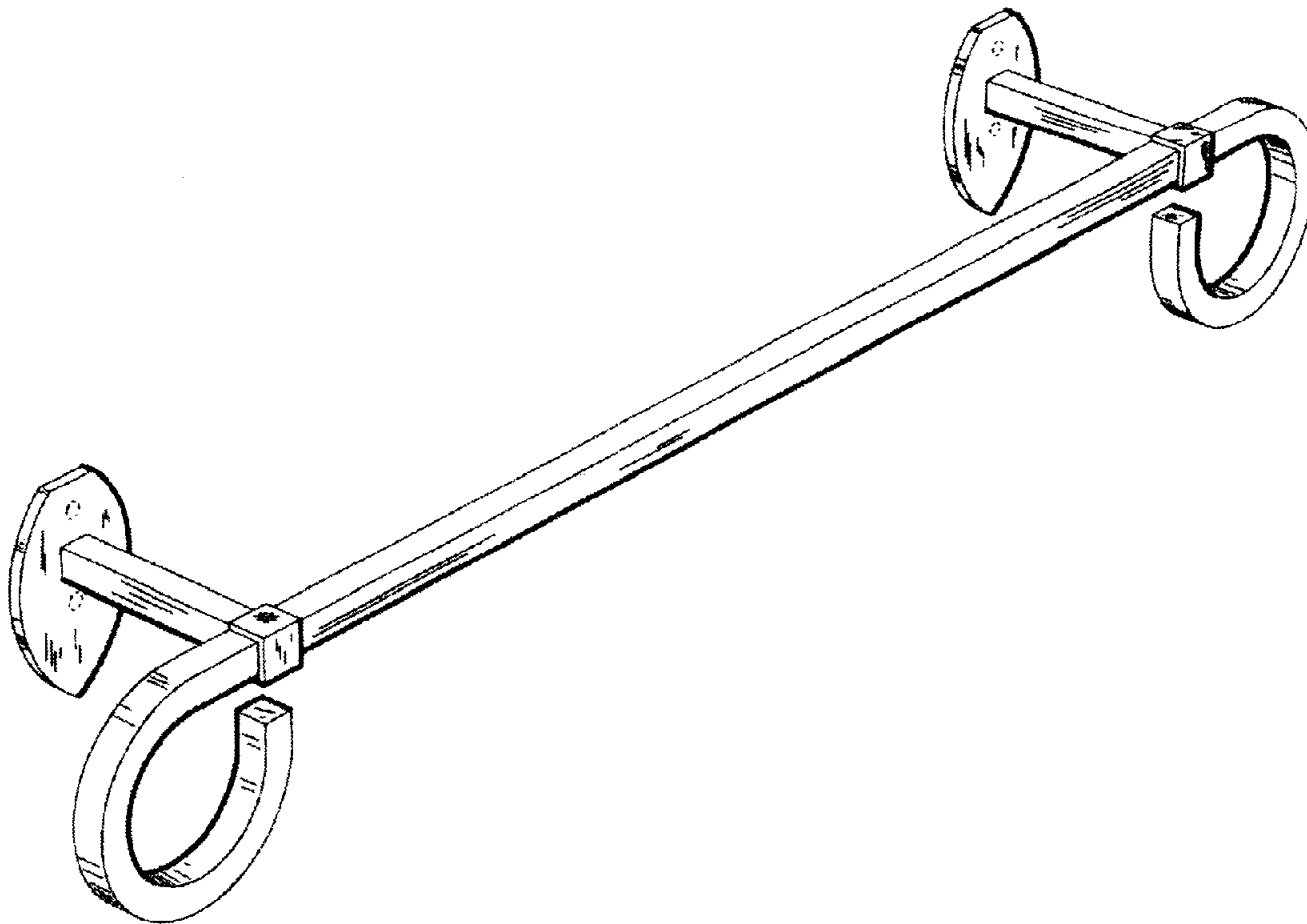
The ornamental design for a towel bar, as shown and described.

DESCRIPTION

FIG. 1 is a front, side and top perspective view of a towel bar showing our new design;
FIG. 2 is a left side elevational view thereof;
FIG. 3 is a right side elevational view thereof;
FIG. 4 is a front elevational view thereof;
FIG. 5 is a top plan view thereof;
FIG. 6 is a bottom plan view thereof; and,
FIG. 7 is a rear elevational view thereof.

The broken-line disclosure of elements in the views is for illustrative purposes only and forms no part of the claimed design.

1 Claim, 2 Drawing Sheets



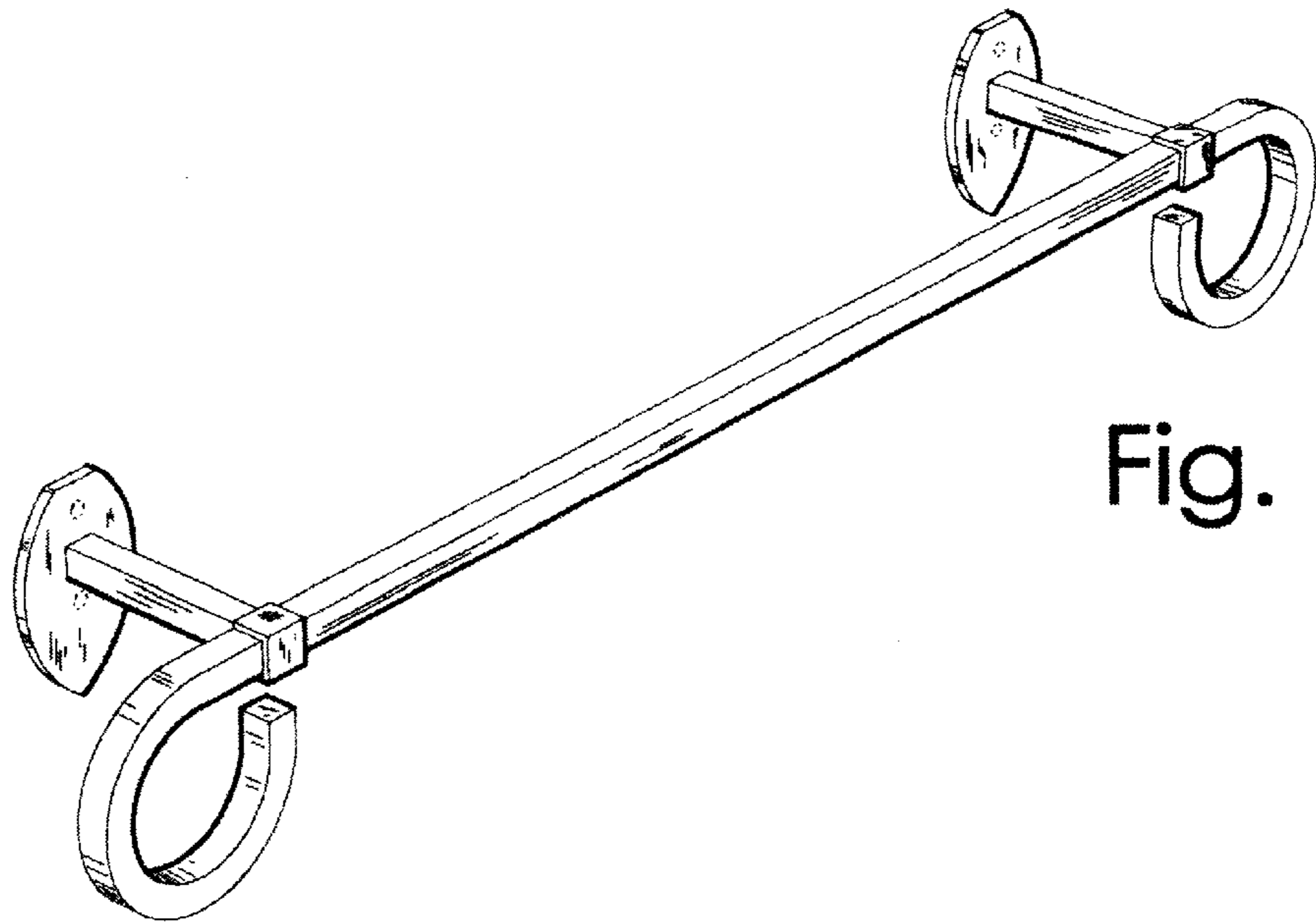


Fig. 1

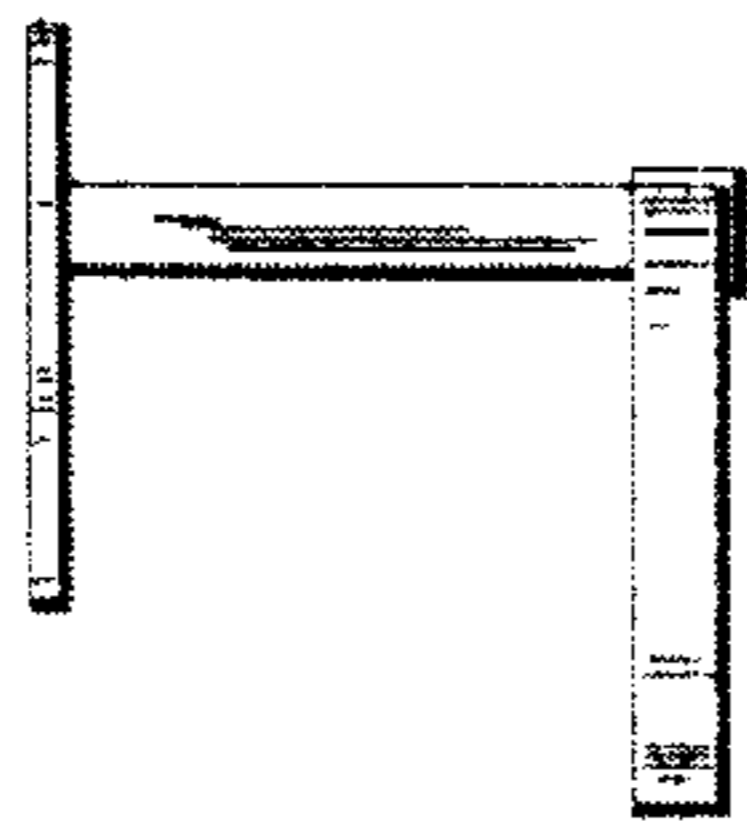


Fig. 2

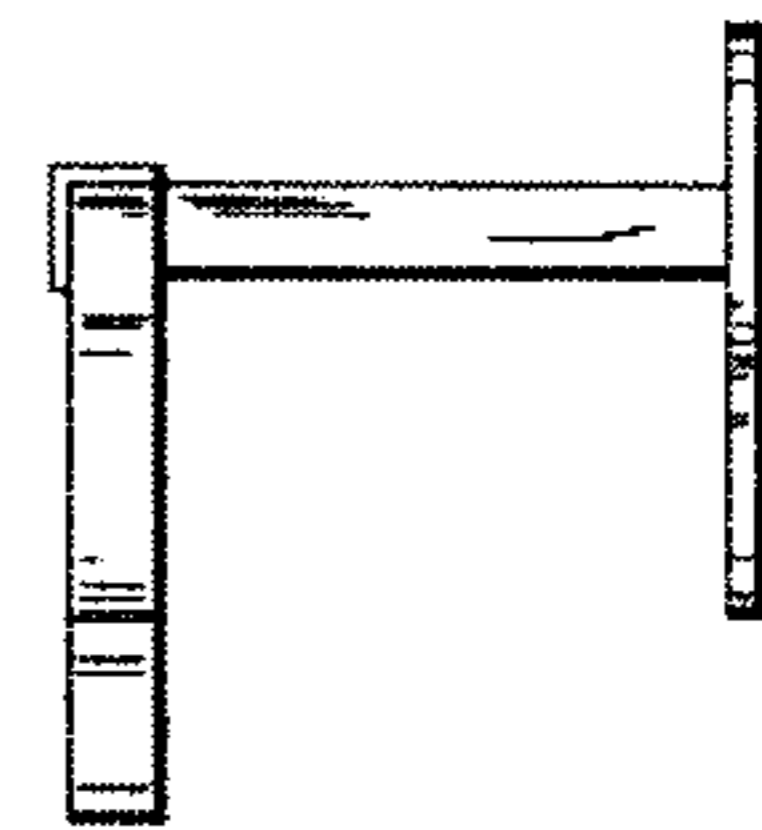


Fig. 3

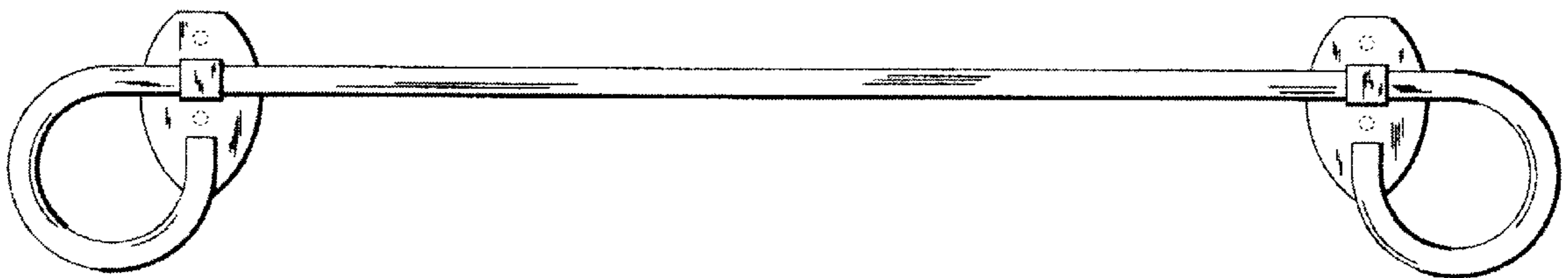


Fig. 4

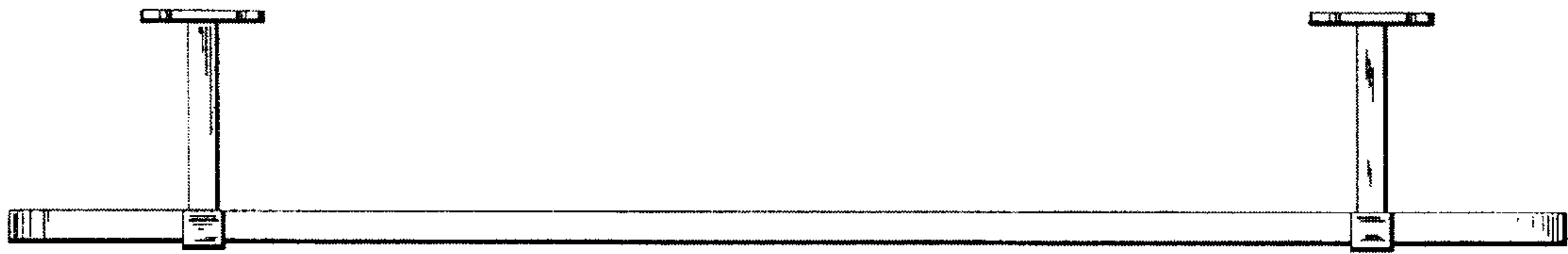


Fig. 5

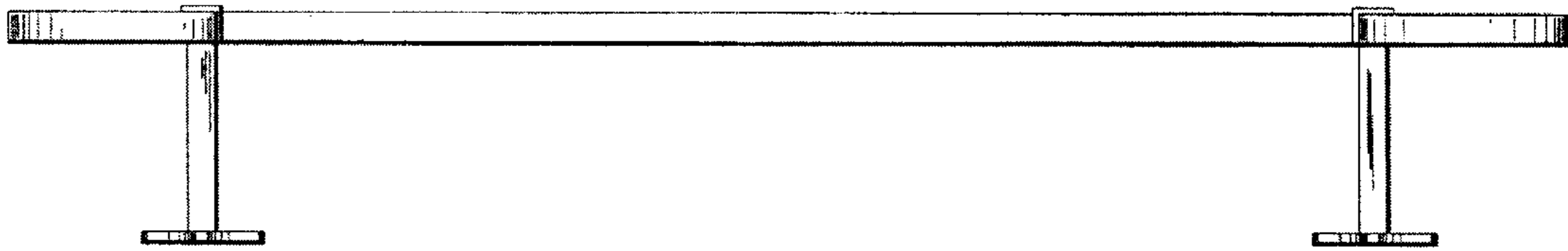


Fig. 6

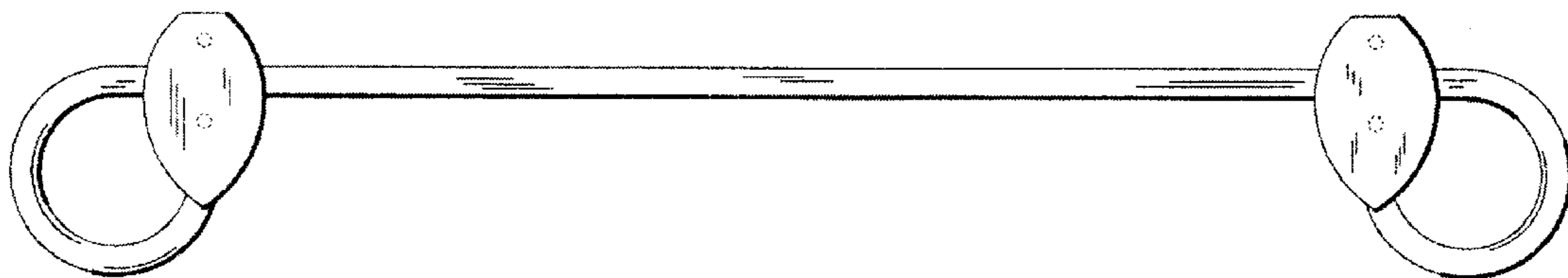


Fig. 7