



US00D472088S

(12) **United States Design Patent**
Katz

(10) **Patent No.:** **US D472,088 S**

(45) **Date of Patent:** **** Mar. 25, 2003**

(54) **TOOTH BRUSH HOLDER**

(76) Inventor: **Robert Katz**, 3570 Ridgewood, Apt.
305, Montréal, Québec (CA), H3V 1C2

(**) Term: **14 Years**

(21) Appl. No.: **29/154,913**

(22) Filed: **Feb. 4, 2002**

(51) **LOC (7) Cl.** **23-02**

(52) **U.S. Cl.** **D6/534**

(58) **Field of Search** D6/512, 524, 528,
D6/534; 206/344, 361, 362, 362.1, 362.2,
362.3; 211/13.1, 65

(56) **References Cited**

U.S. PATENT DOCUMENTS

3,088,645 A * 5/1963 Mechaneck 206/361

3,325,847 A * 6/1967 Meranto 206/362.3

5,444,889 A * 8/1995 Barre 15/167.1

D415,917 S * 11/1999 Salazar et al. D6/534

* cited by examiner

Primary Examiner—Brian N. Vinson

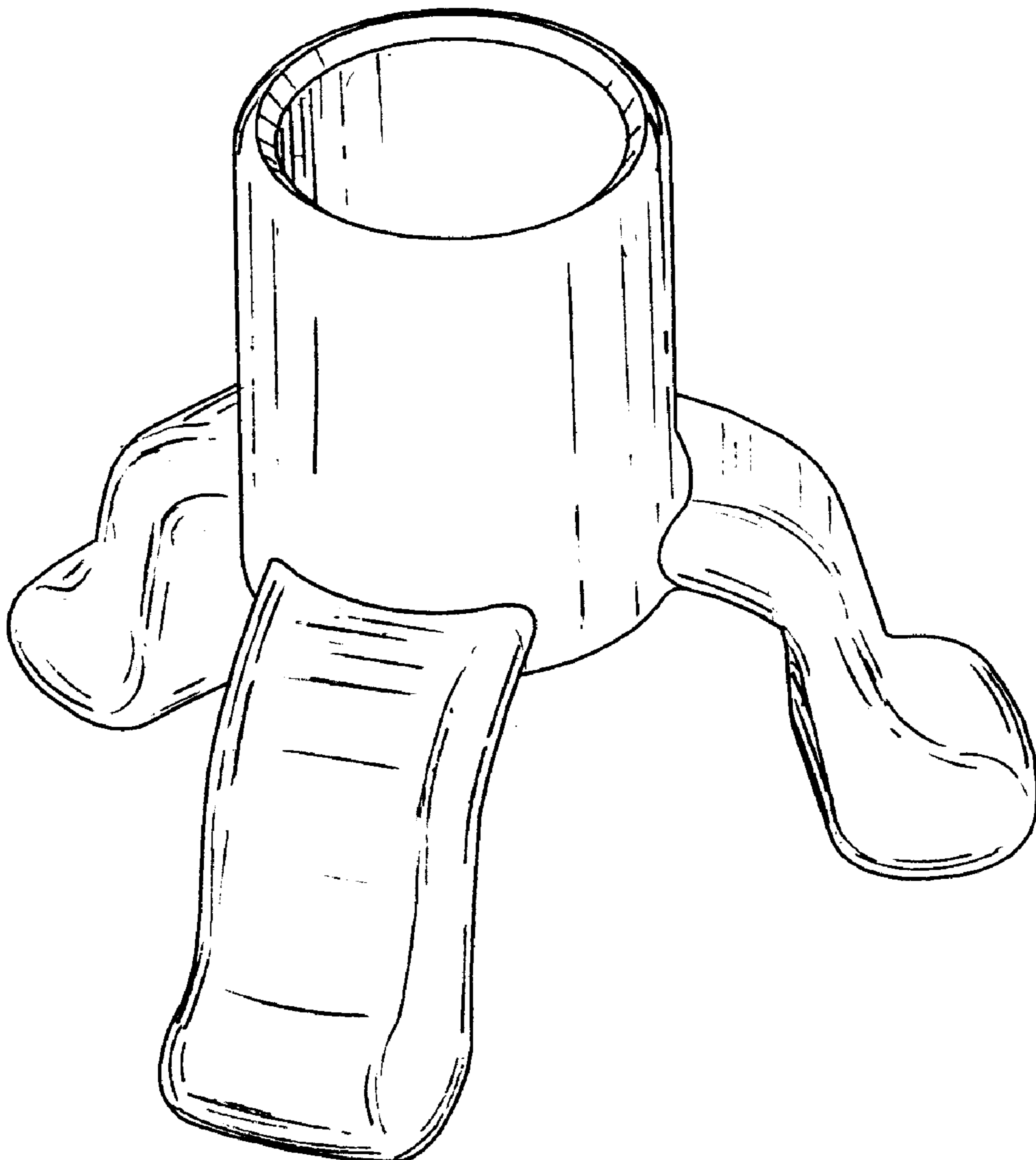
(57) **CLAIM**

The ornamental design for a tooth brush holder, as shown and described.

DESCRIPTION

FIG. 1 is a top perspective view of the holder;
FIG. 2 is a top view of the holder;
FIG. 3 is a front view of the holder;
FIG. 4 is a right side view of the holder, the left side being identical but reversed; and,
FIG. 5 is a bottom view of the holder.

1 Claim, 3 Drawing Sheets



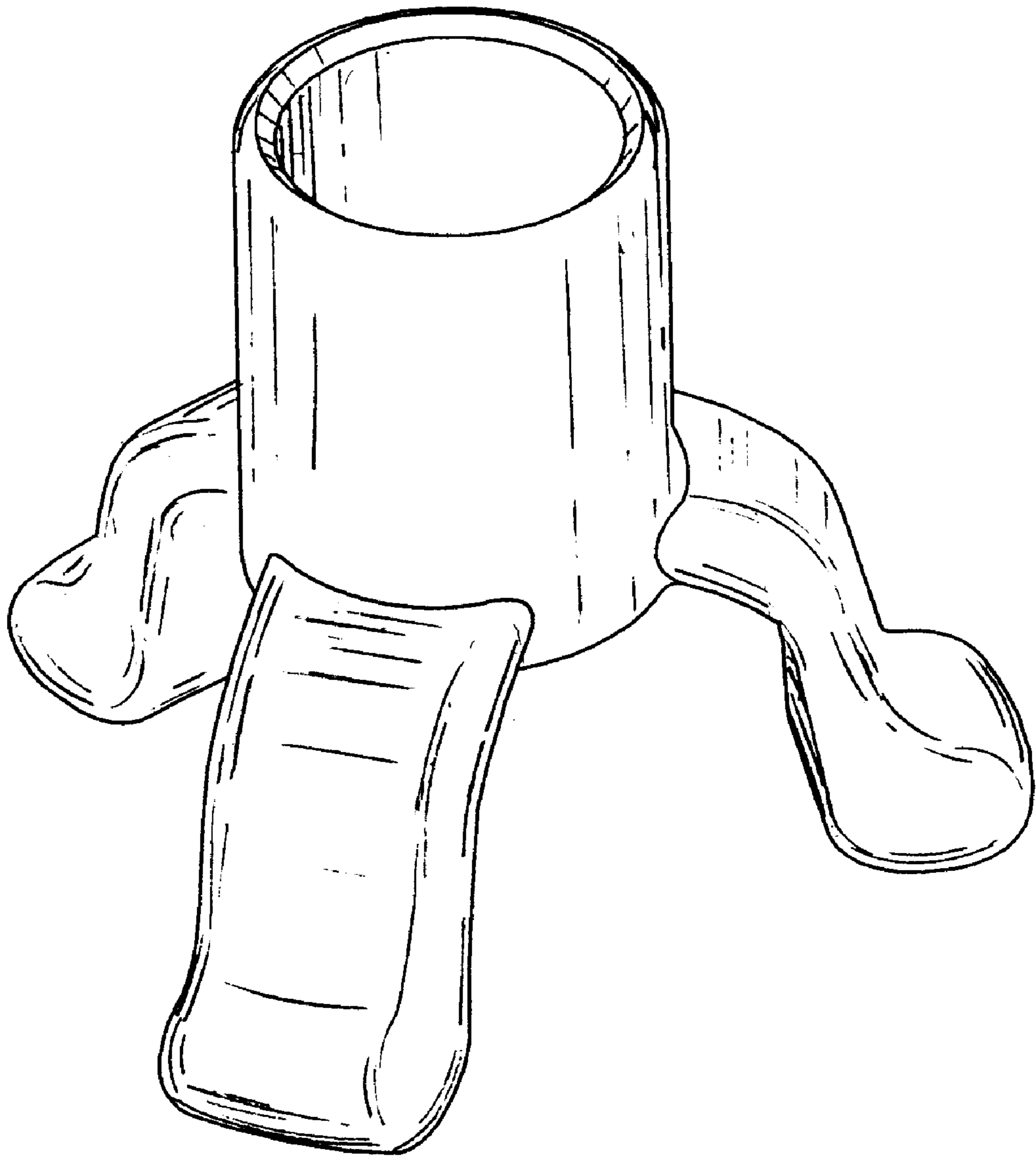


Figure 1

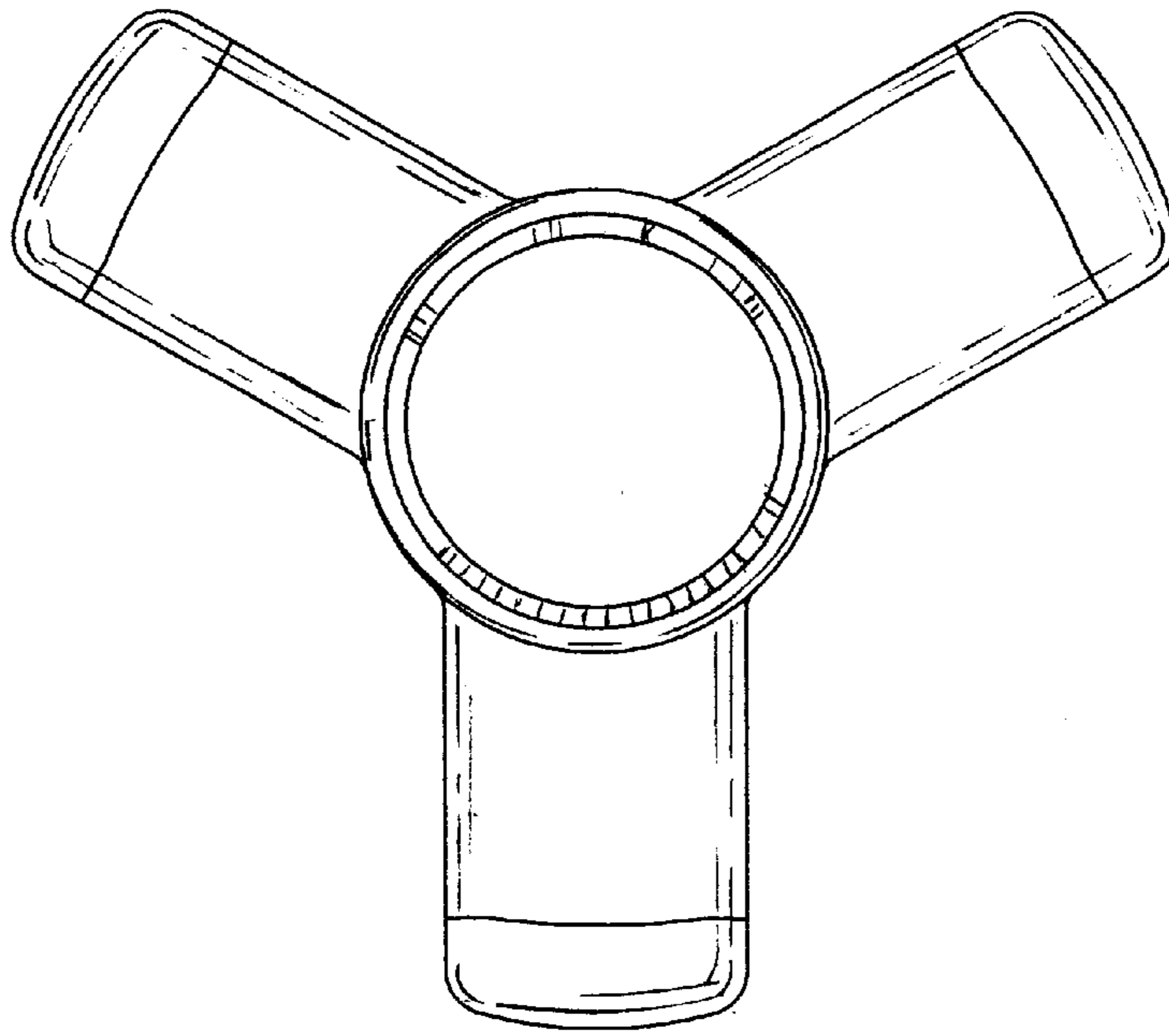


Figure 2

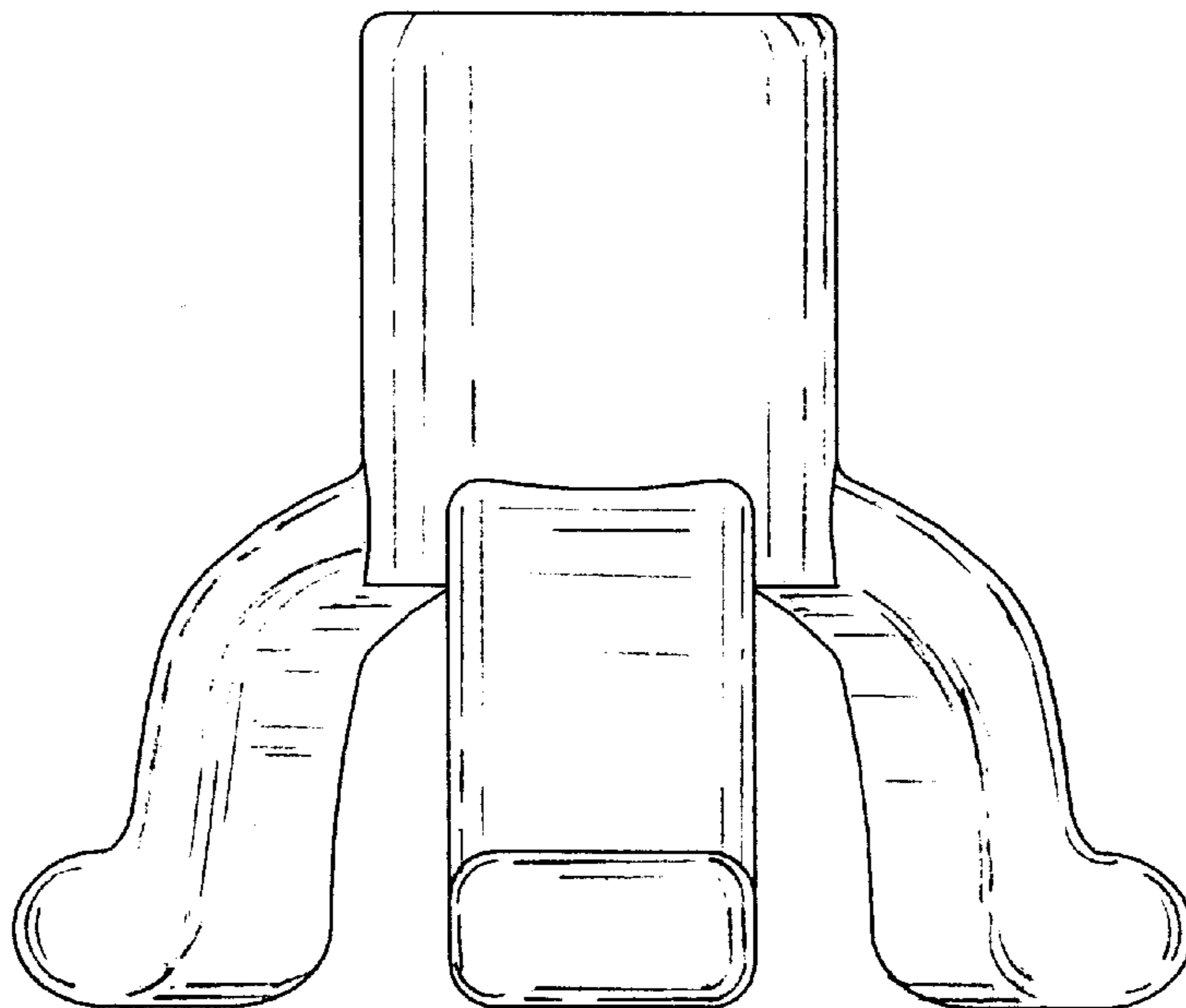


Figure 3

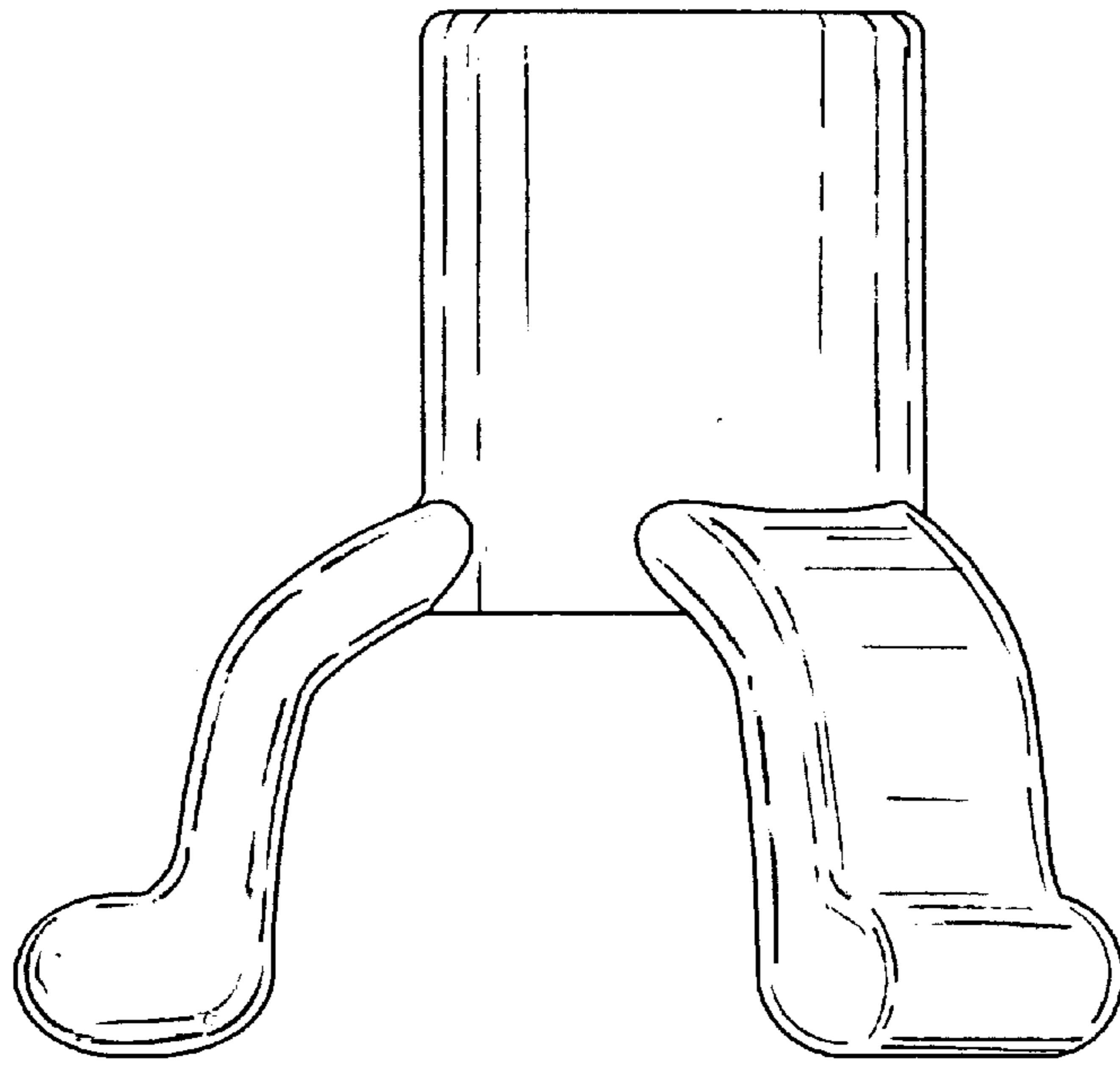


Figure 4

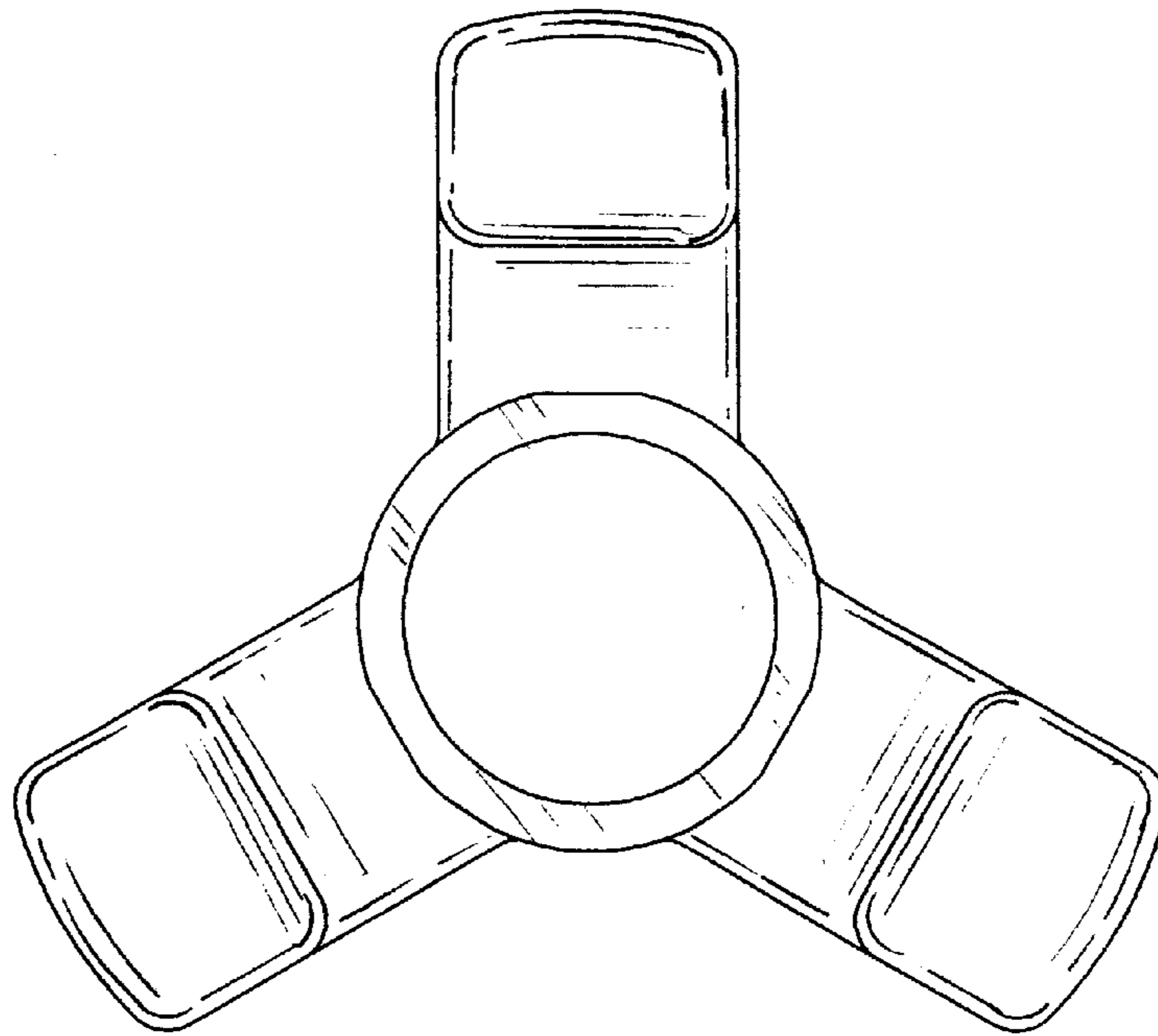


Figure 5