



US00D472084S

(12) **United States Design Patent**
Köllner

(10) **Patent No.:** **US D472,084 S**

(45) **Date of Patent:** **** Mar. 25, 2003**

(54) **HANGER**

(75) **Inventor:** **Hanns-Joachim Köllner, Düsseldorf (DE)**

(73) **Assignee:** **Wenko-Wenselaar GmbH & Co. KG, Hilden (DE)**

(**) **Term:** **14 Years**

(21) **Appl. No.:** **29/155,945**

(22) **Filed:** **Feb. 22, 2002**

(30) **Foreign Application Priority Data**

Aug. 22, 2001 (XH) DM/057 708

(51) **LOC (7) Cl.** **06-06**

(52) **U.S. Cl.** **D6/513**

(58) **Field of Search** D6/513, 514, 546, D6/548; 211/13.1, 85.3, 16, 86.01, 87.01, 88.04, 113, 119, 123, 182; 248/251, 317, 340

(56) **References Cited**

U.S. PATENT DOCUMENTS

D139,415 S * 11/1944 Brown D6/548 X

D152,331 S * 1/1949 Eakins D6/548
D358,959 S * 6/1995 Herstedt D6/548
D397,565 S * 9/1998 Klein et al. D6/513
6,257,425 B1 * 7/2001 Liu 211/88.04 X

* cited by examiner

Primary Examiner—Brian N. Vinson

(74) *Attorney, Agent, or Firm*—Crowell & Moring LLP

(57) **CLAIM**

The ornamental design for a hanger, as shown and described.

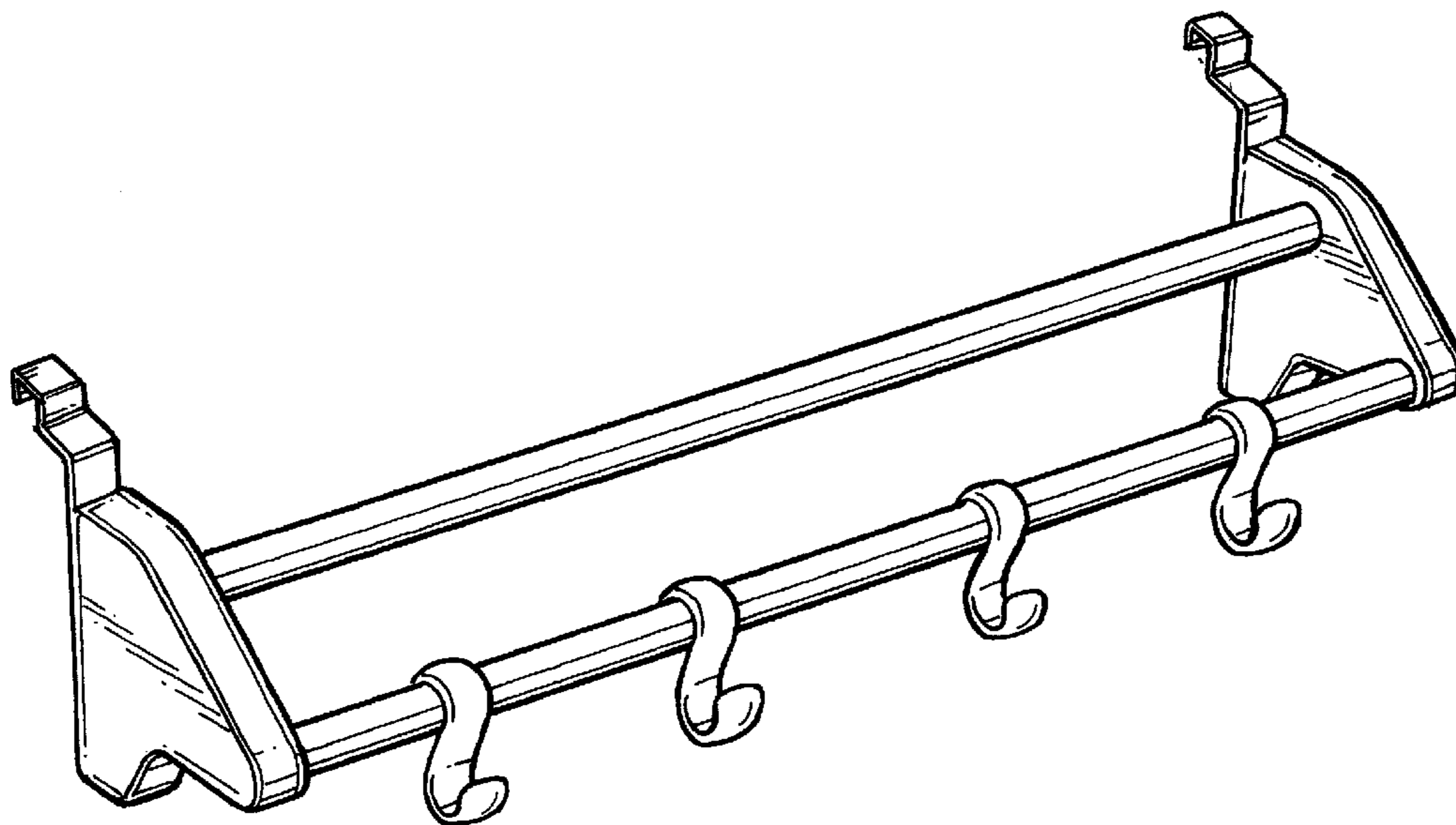
DESCRIPTION

This application is related to the following co-pending applications, of the inventor, filed on even date herewith: Application Ser. No. 29/155,944, entitled "Hanger"; Application Ser. No. 29/155,943, entitled "Hanger"; Application Ser. No. 29/155,942, entitled "Hanger"; and Application Ser. No. 29/155,941, entitled "Hanger".

FIG. 1 is a left perspective view of a hanger according to my novel design, the right perspective view being mirror symmetrical; and,

FIG. 2 is a front view of the hanger according to my novel design.

1 Claim, 1 Drawing Sheet



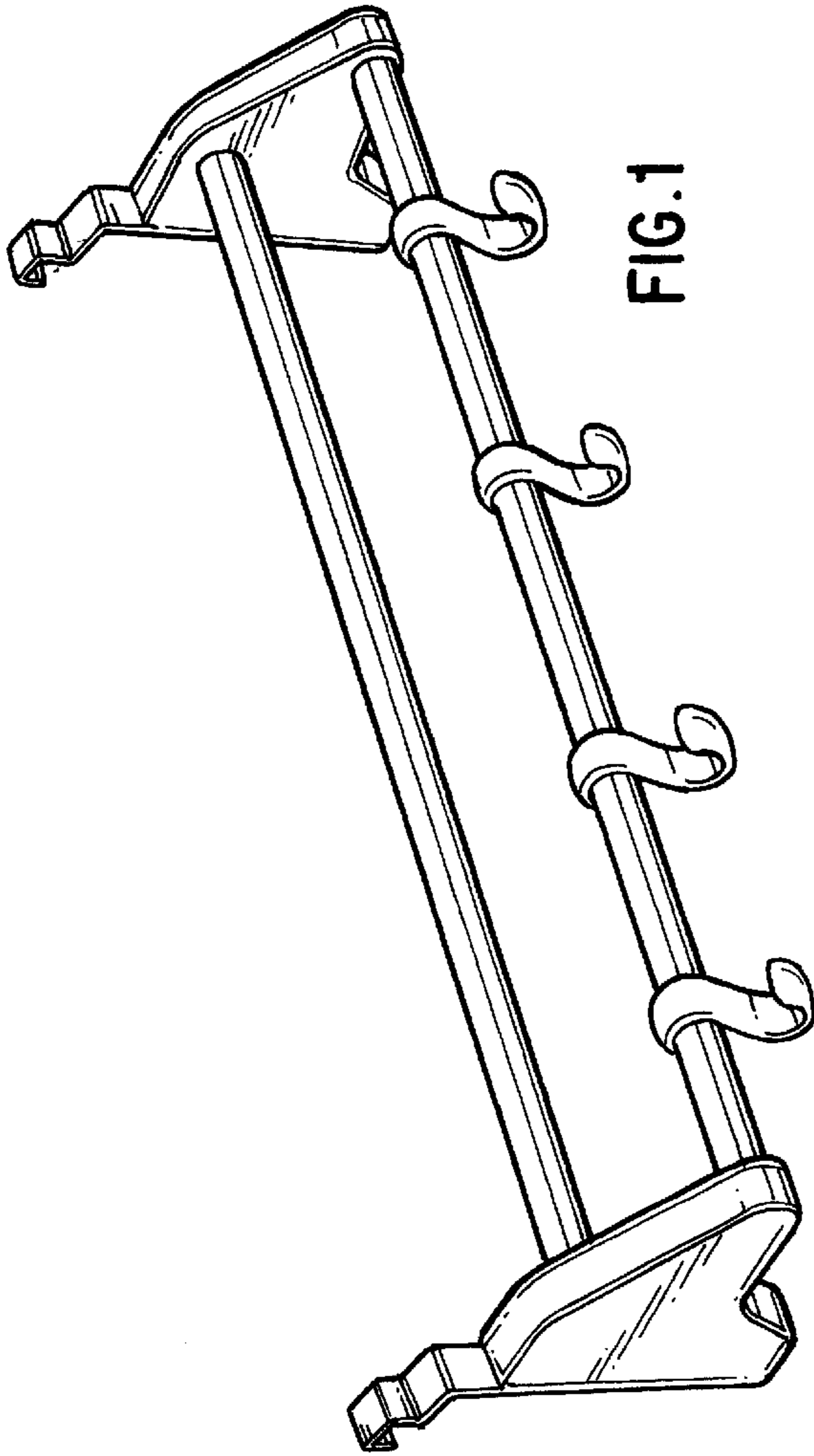


FIG. 1

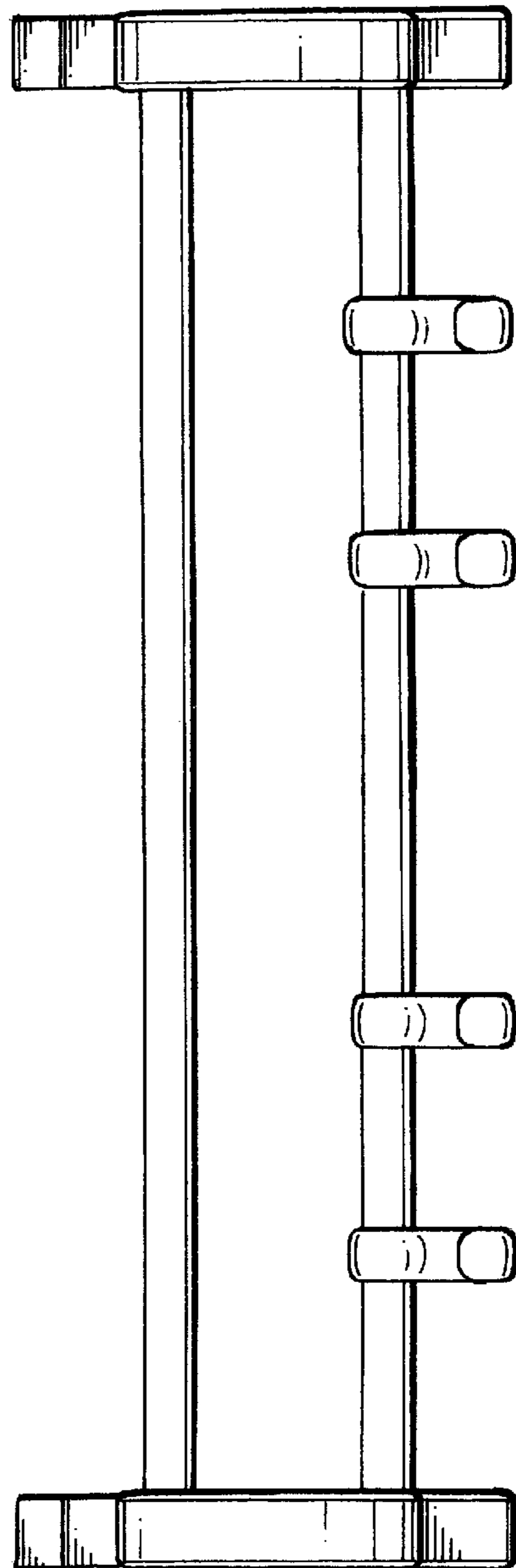


FIG. 2