



US00D472083S

(12) **United States Design Patent**
English et al.

(10) **Patent No.:** **US D472,083 S**

(45) **Date of Patent:** **** Mar. 25, 2003**

(54) **SNEEZE GUARD**

(76) Inventors: **Douglas A. English**, 11359 Sunrise Gold Cir. #A, Rancho Cordova, CA (US) 95742; **Diana R. English**, 11359 Sunrise Gold Cir. #A, Rancho Cordova, CA (US) 95742

(**) Term: **14 Years**

(21) Appl. No.: **29/167,158**

(22) Filed: **Sep. 9, 2002**

(51) **LOC (7) Cl.** **06-04**

(52) **U.S. Cl.** **D6/509**

(58) **Field of Search** D6/396, 470, 471, D6/472, 491, 509; D15/81, 83, 85; 312/116, 140.4

(56) **References Cited**

U.S. PATENT DOCUMENTS

4,208,972	A	*	6/1980	Arend et al.	108/184
4,892,366	A	*	1/1990	Yerman	312/140.4
D337,462	S	*	7/1993	LaVaute et al.	D6/491
D369,254	S	*	4/1996	Martin	D6/491
5,584,545	A	*	12/1996	LaVaute et al.	312/140.4
5,823,102	A	*	10/1998	Will	99/645
D461,977	S	*	8/2002	Mitchell	D6/509

* cited by examiner

Primary Examiner—Cathron C. Brooks
(74) *Attorney, Agent, or Firm*—Catherine Ashley Straight; Hodgson & Straight

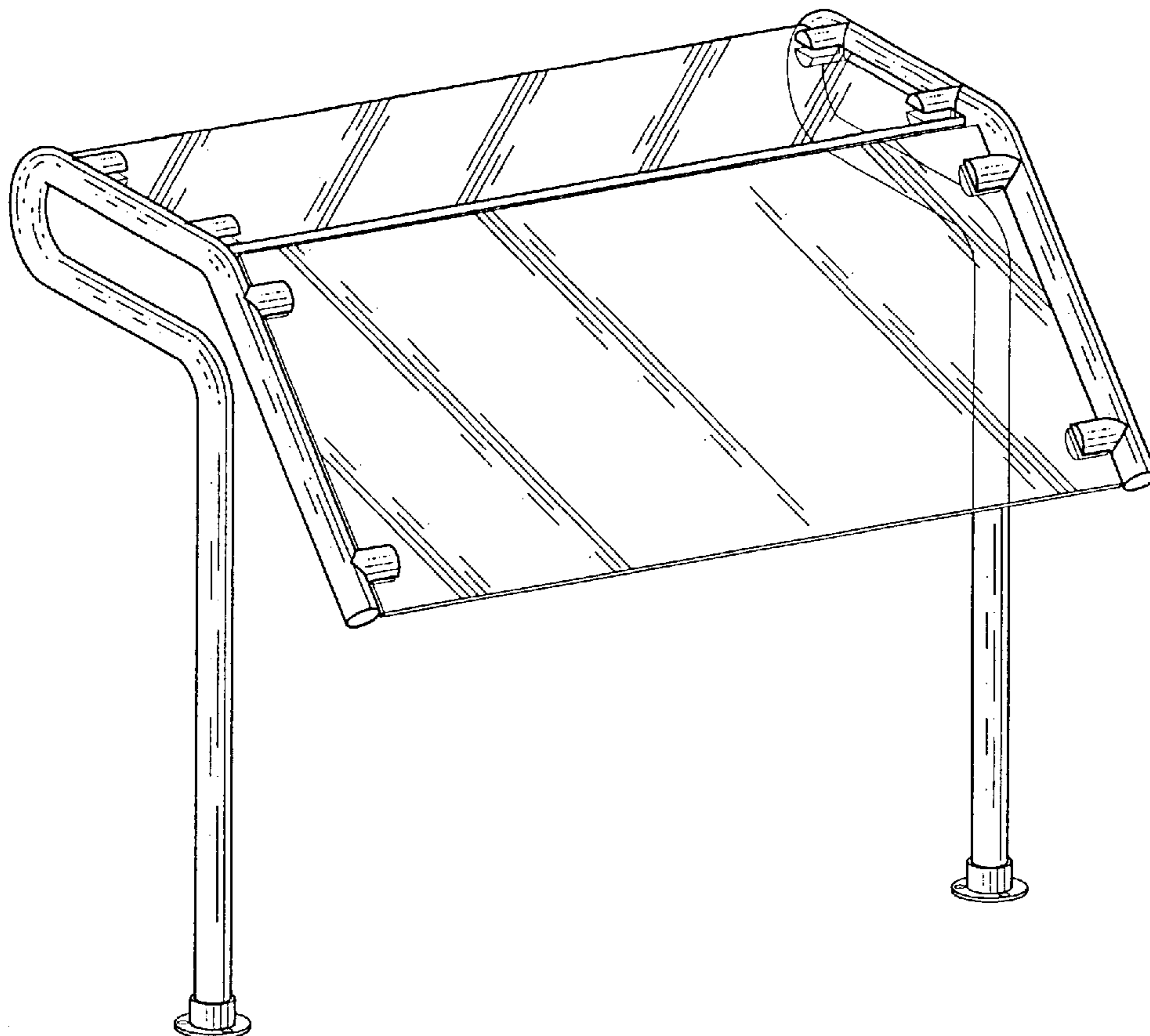
(57) **CLAIM**

The ornamental design for a sneeze guard, as shown and described.

DESCRIPTION

FIG. 1 is a perspective view of a sneeze guard, showing our new design;
 FIG. 2 is a front elevational view, thereof;
 FIG. 3 is a left side view, thereof, the right side view thereof being a mirror image;
 FIG. 4 is a top plan view, thereof;
 FIG. 5 is a rear elevational view, thereof;
 FIG. 6 is a bottom plan view, thereof;
 FIG. 7 is a perspective view of an alternative embodiment of the sneeze guard;
 FIG. 8 is a front elevational view, thereof;
 FIG. 9 is a left side view, thereof, the right side view thereof being a mirror image;
 FIG. 10 is a top plan view, thereof;
 FIG. 11 is a rear elevational view, thereof; and,
 FIG. 12 is a bottom plan view, thereof.

1 Claim, 4 Drawing Sheets



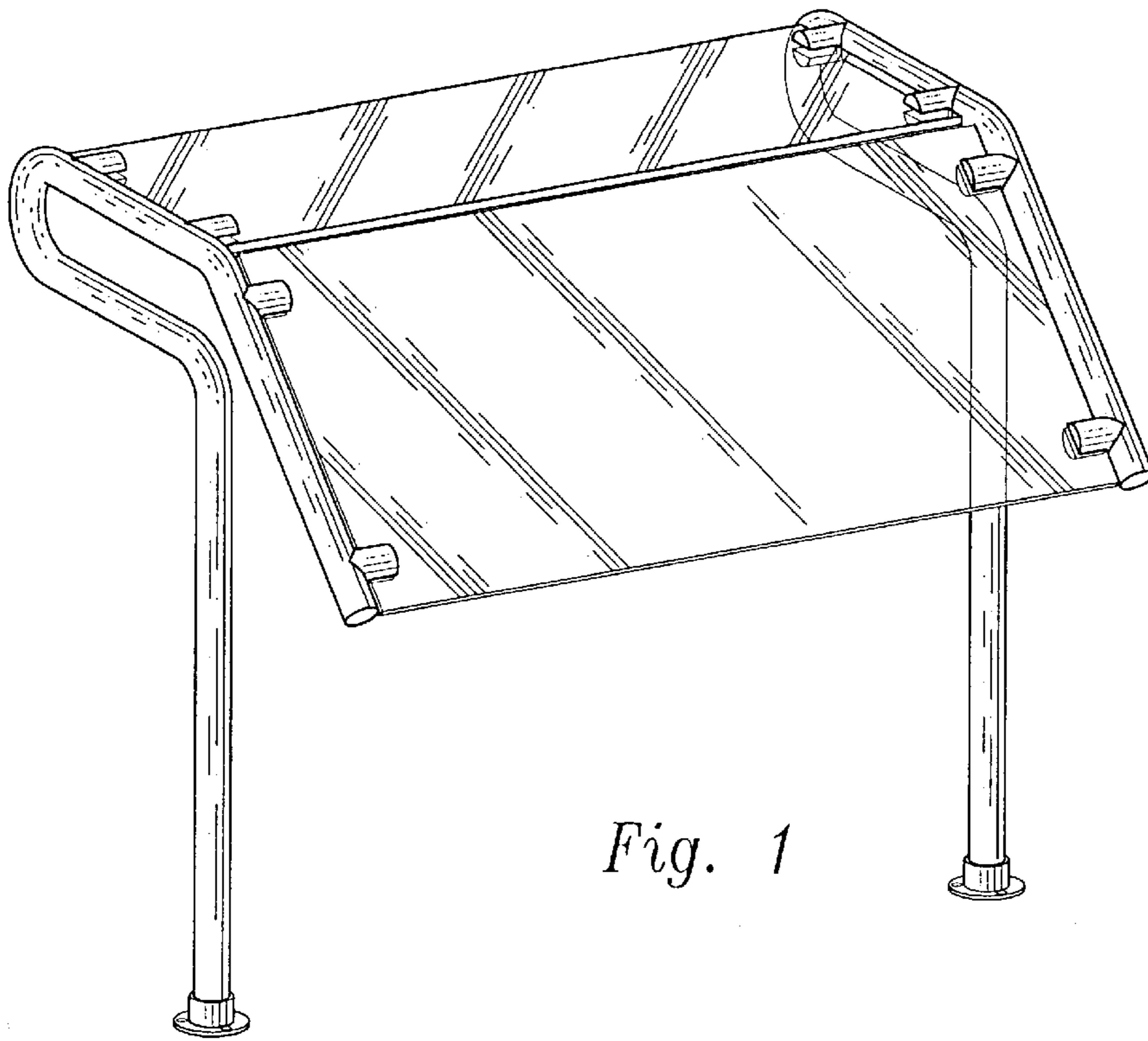


Fig. 1

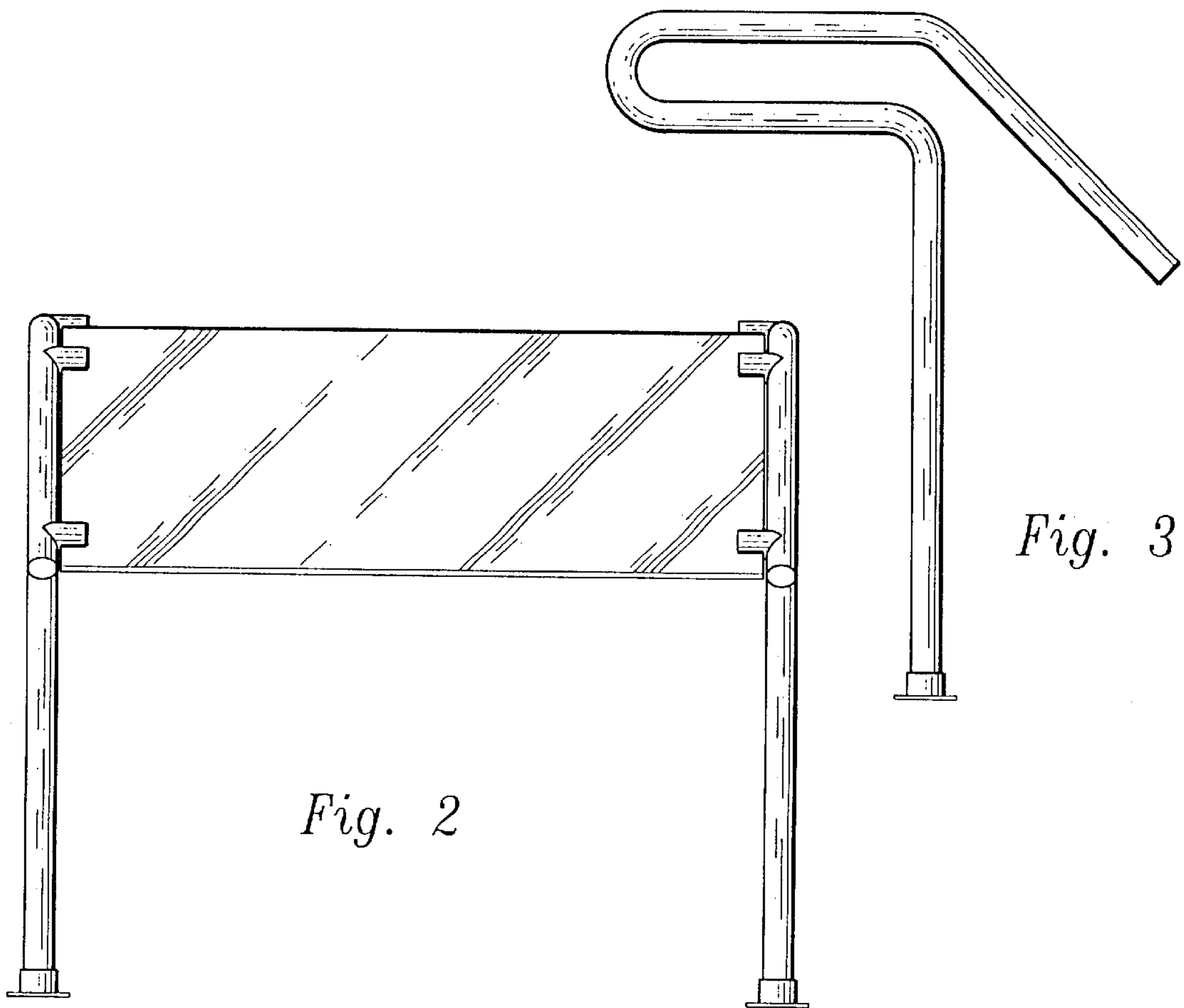


Fig. 2

Fig. 3

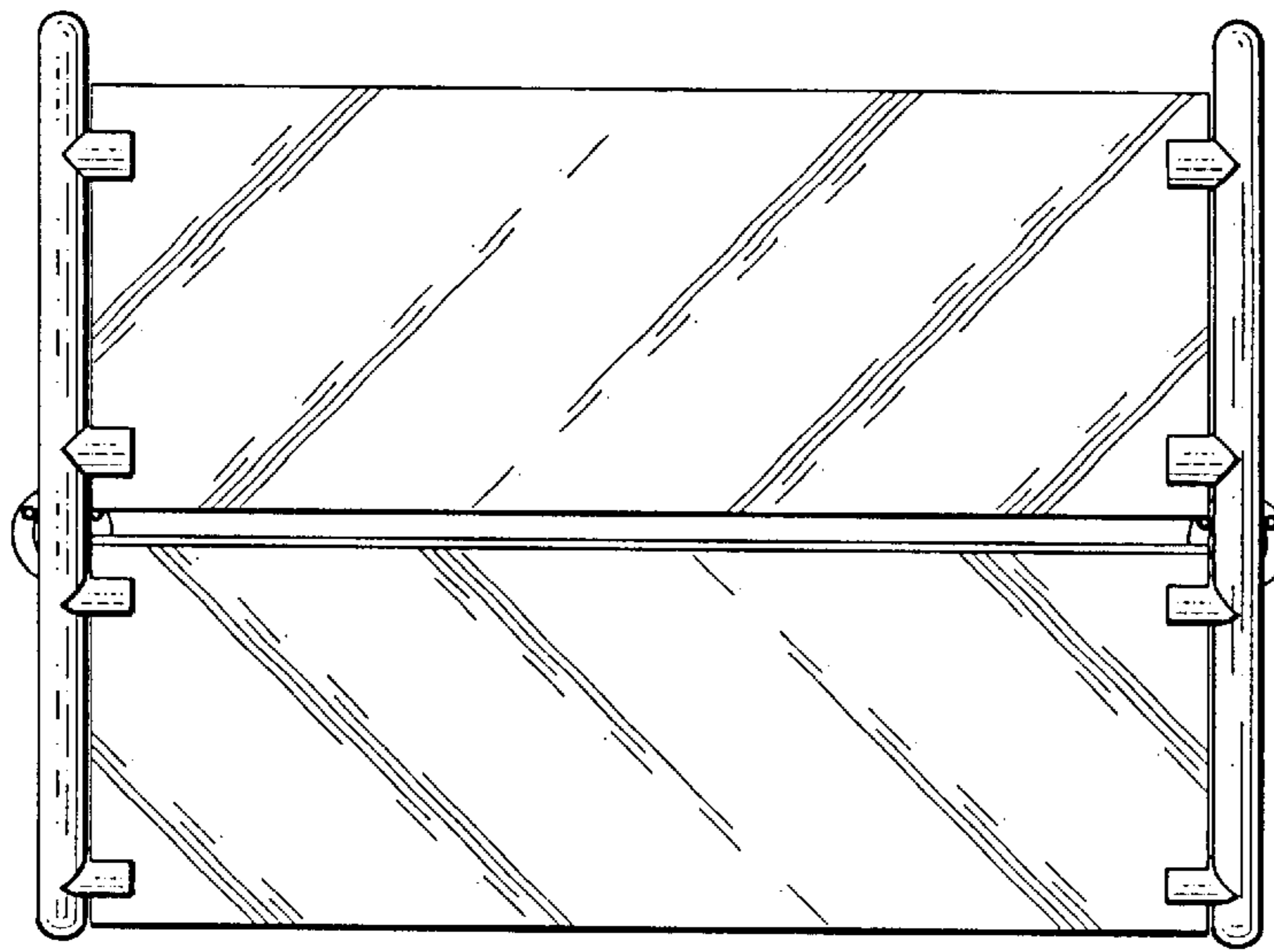


Fig. 4

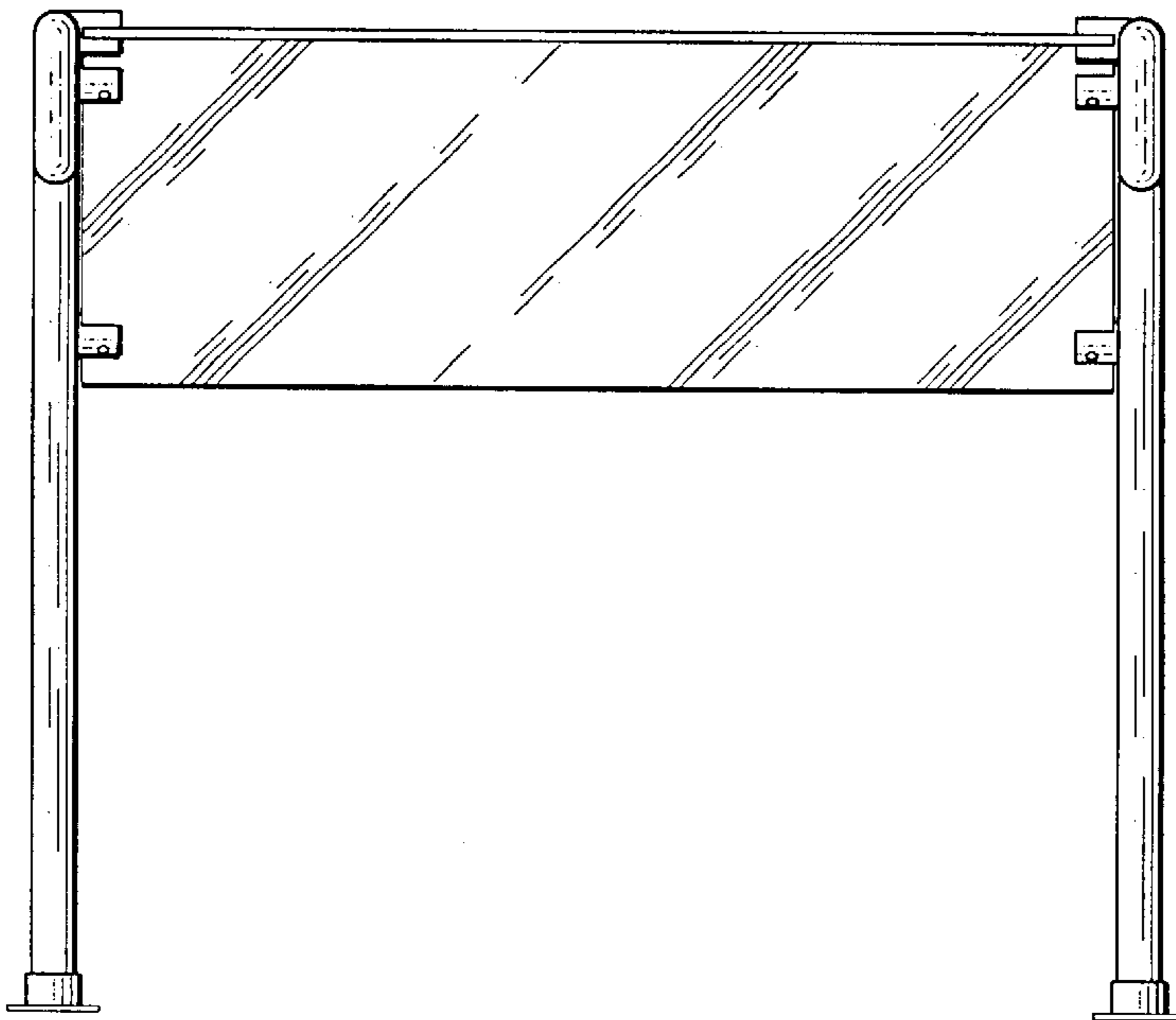


Fig. 5

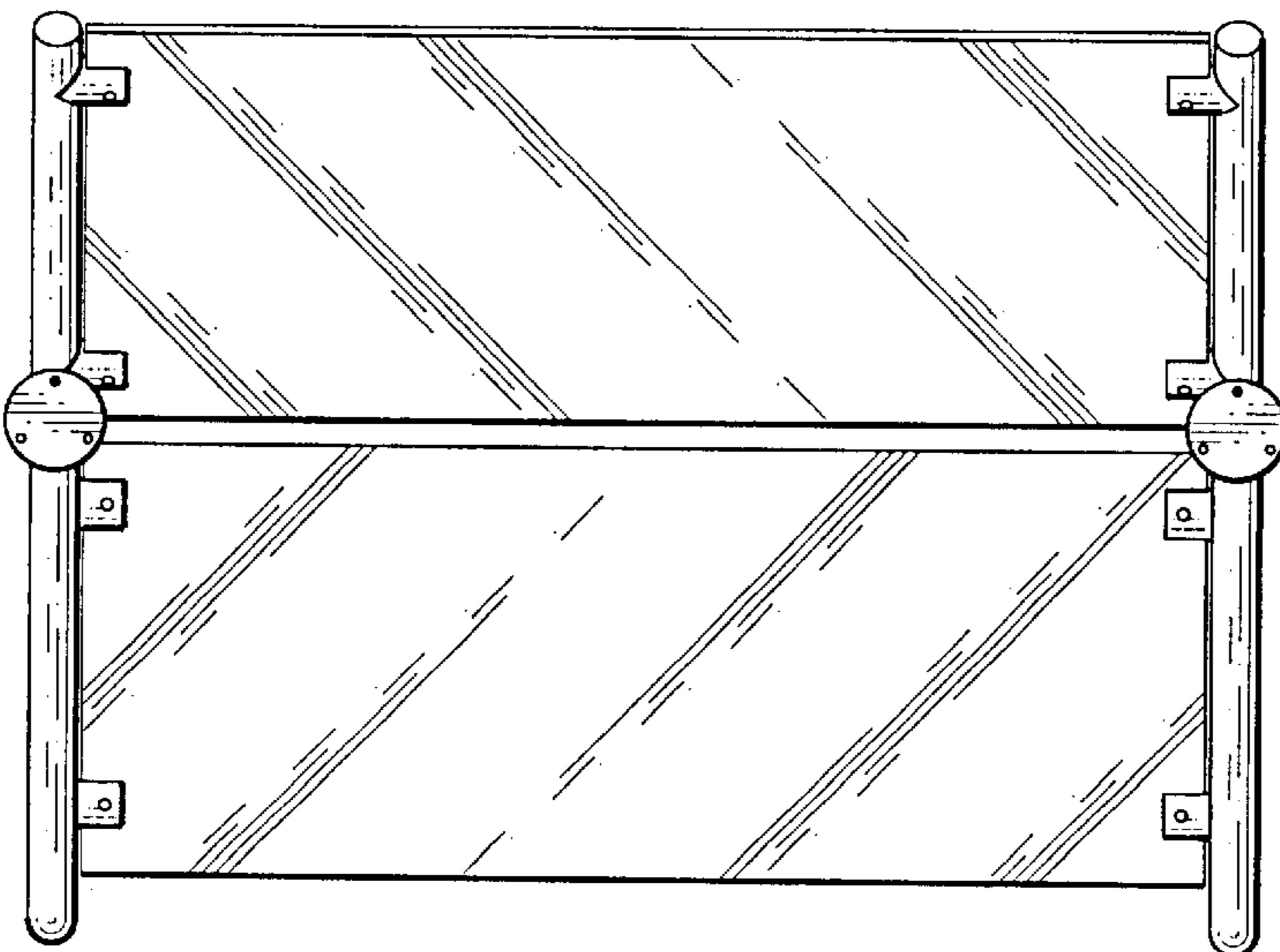


Fig. 6

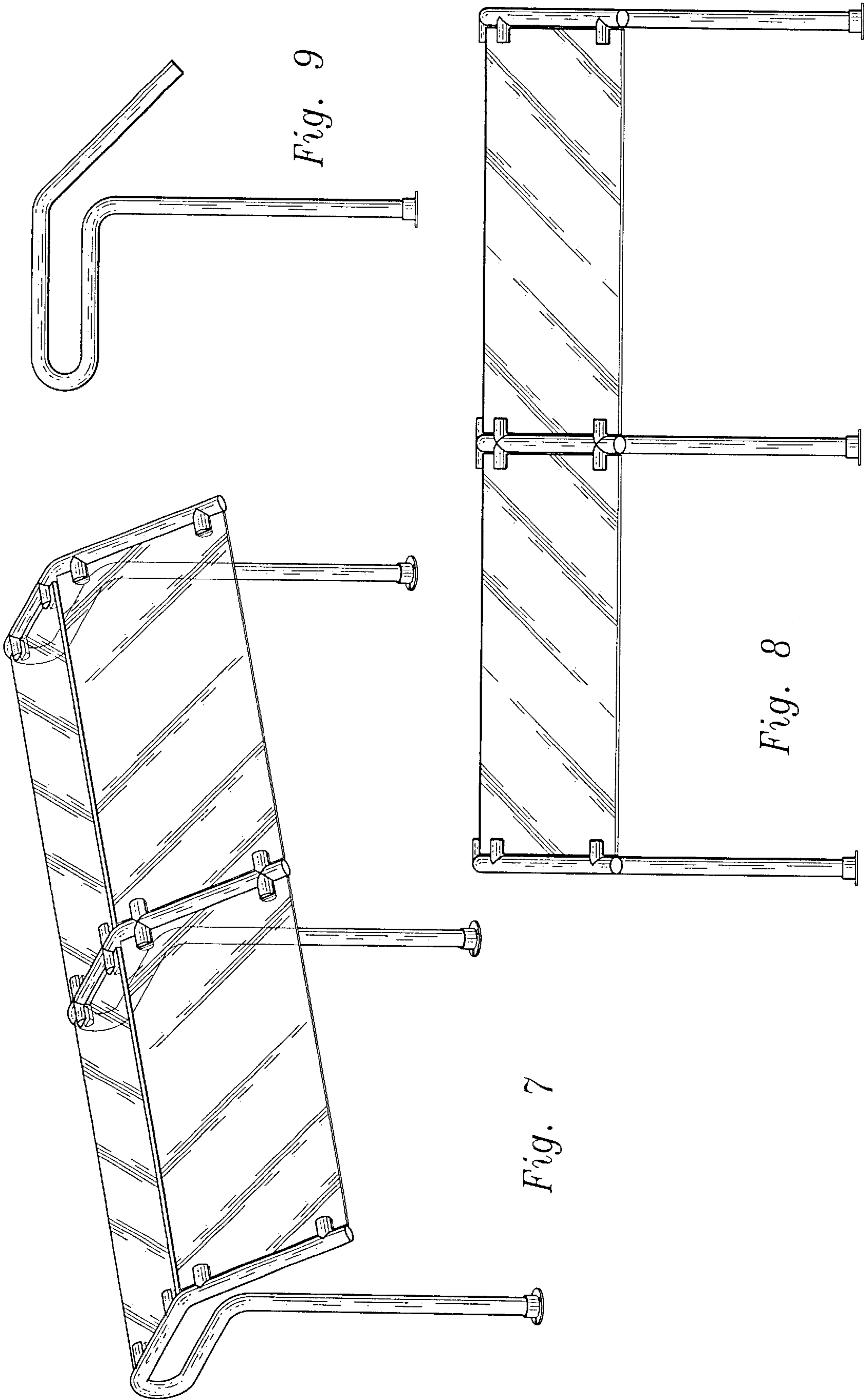


Fig. 9

Fig. 8

Fig. 7

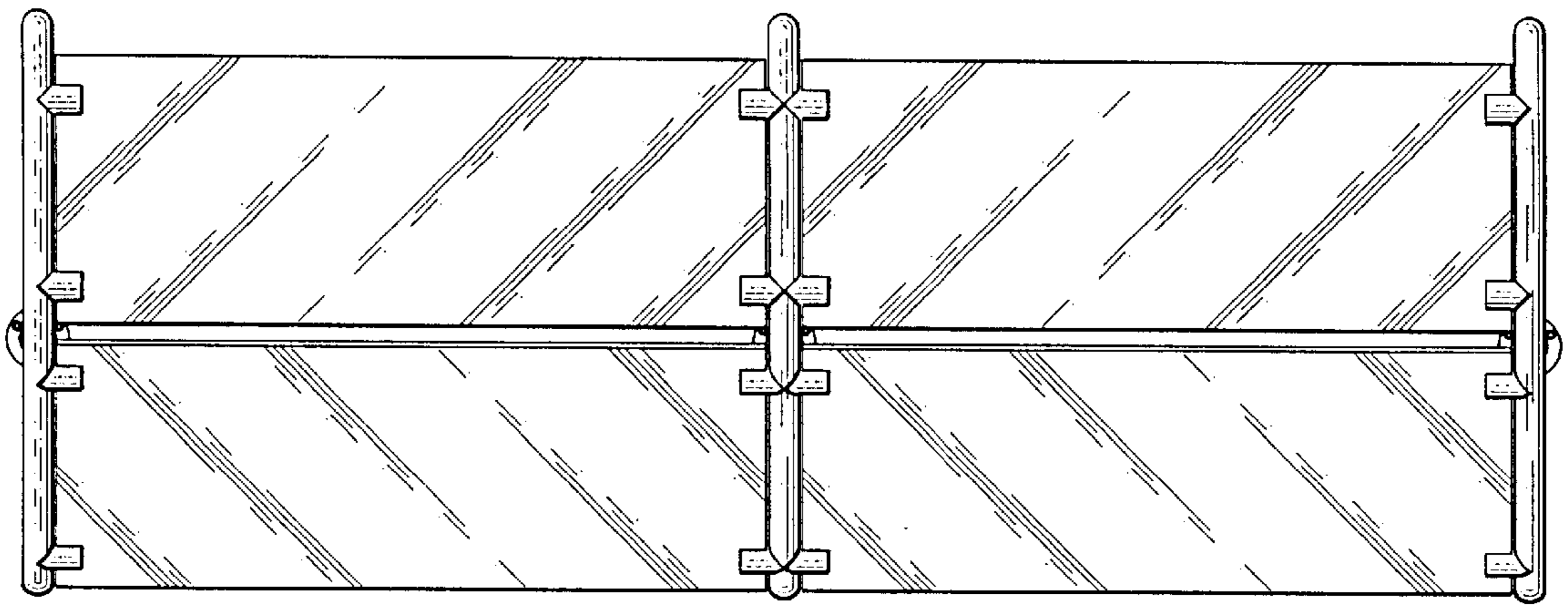


Fig. 10

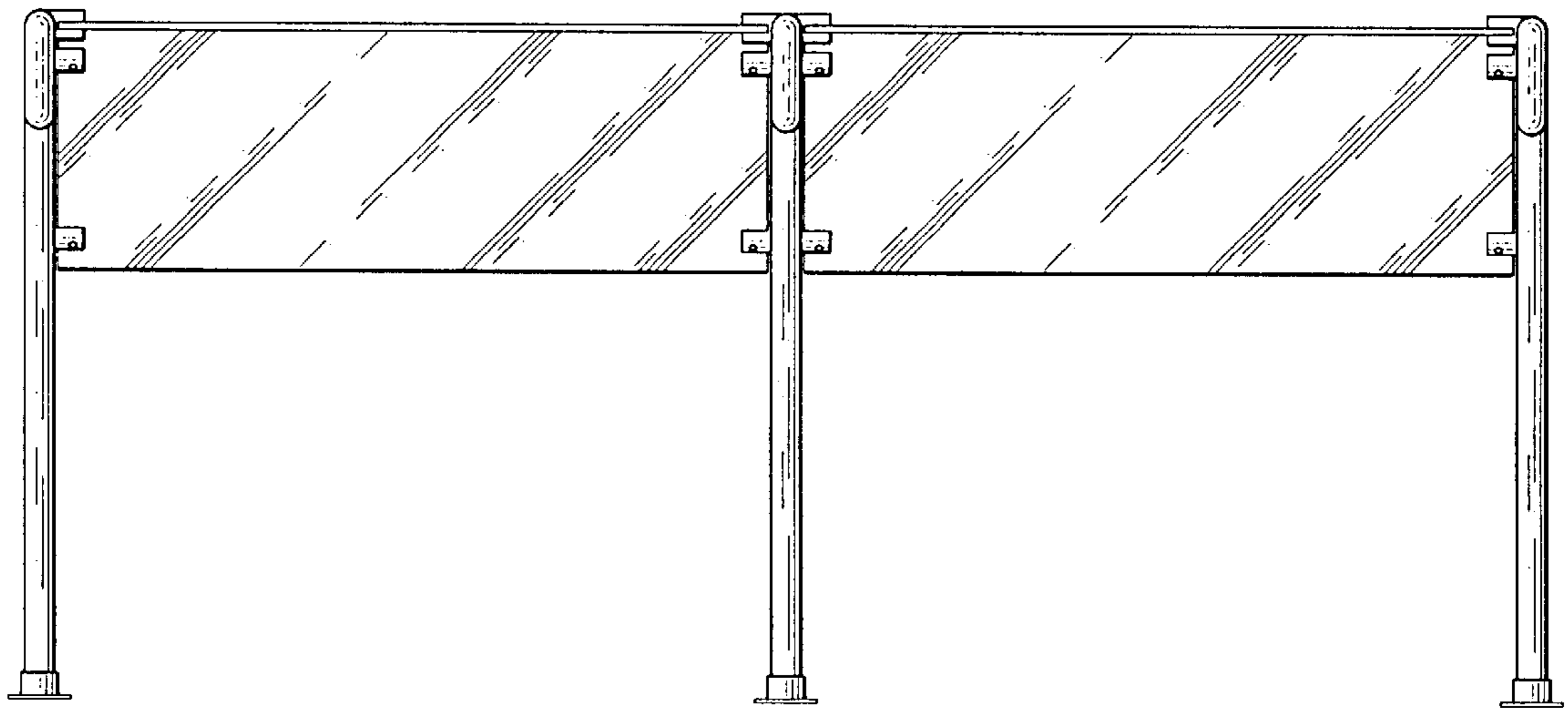


Fig. 11

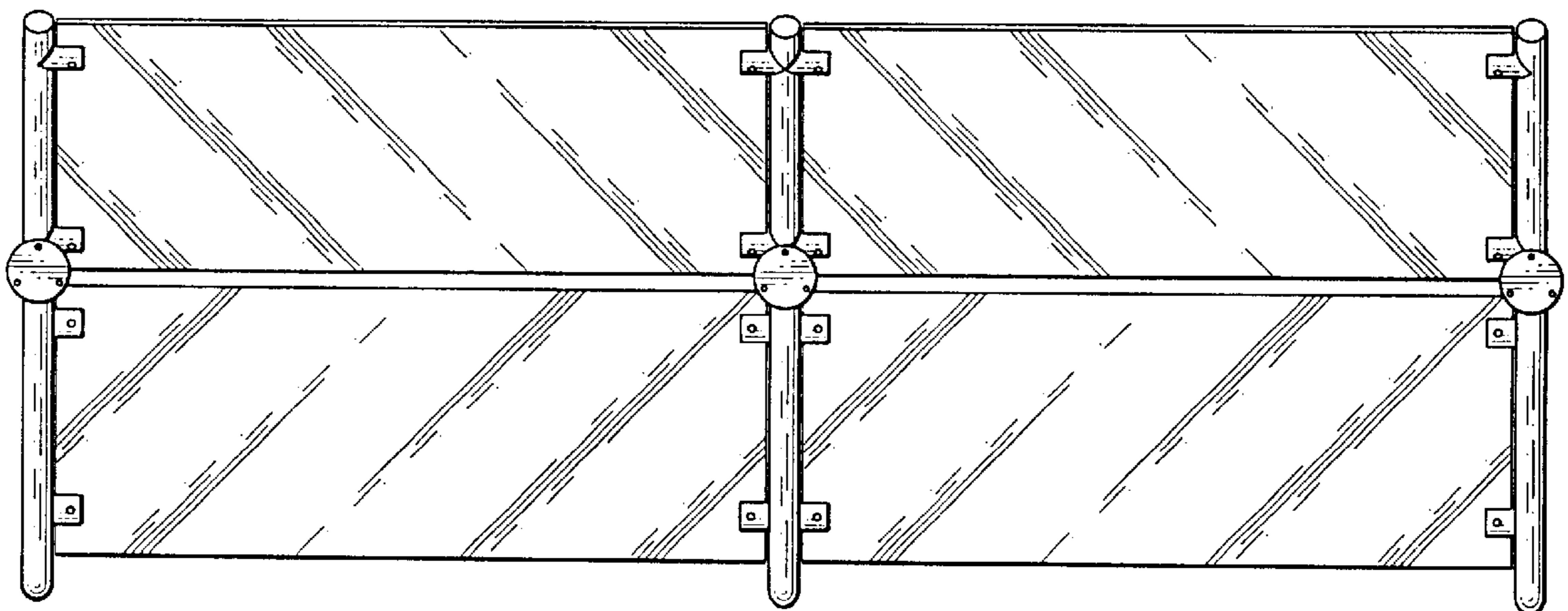


Fig. 12