



US00D472080S

(12) **United States Design Patent**  
**Kita**

(10) **Patent No.:** **US D472,080 S**

(45) **Date of Patent:** **\*\* Mar. 25, 2003**

(54) **CHAIR**

(75) Inventor: **Toshiyuki Kita**, Osaka (JP)

(73) Assignee: **Toyo-Kougei Inc.**, Tokyo (JP)

(\*\*) Term: **14 Years**

(21) Appl. No.: **29/141,865**

(22) Filed: **May 14, 2001**

(30) **Foreign Application Priority Data**

Nov. 14, 2000 (JP) ..... 2000-032471

(51) **LOC (7) Cl.** ..... **06-06**

(52) **U.S. Cl.** ..... **D6/500**; D6/366

(58) **Field of Search** ..... D6/334, 335, 364,  
D6/365, 366, 367, 500, 501, 502; 297/441.2,  
411.36

(56) **References Cited**

**U.S. PATENT DOCUMENTS**

- D233,807 S \* 12/1974 Arlesheim ..... D6/366
- D256,740 S \* 9/1980 Acton ..... D6/366
- D256,741 S \* 9/1980 Acton ..... D6/366
- 4,471,995 A \* 9/1984 Wisniewski ..... 297/411.2
- D276,575 S \* 12/1984 Helmholdt ..... D6/366
- D395,172 S \* 6/1998 Pate ..... D6/366

D435,737 S \* 1/2001 Hines et al. .... D6/366

\* cited by examiner

*Primary Examiner*—Gary D. Watson

(74) *Attorney, Agent, or Firm*—Levisohn, Lerner, Berger & Langsam, LLP

(57) **CLAIM**

The ornamental design for a chair, as shown and described.

**DESCRIPTION**

FIG. 1 is a front perspective view of a chair showing my new design;

FIG. 2 is a front elevational view thereof;

FIG. 3 is a rear elevational view thereof;

FIG. 4 is a bottom plan view thereof;

FIG. 5 is a right side elevational view thereof;

FIG. 6 is a left side elevational view thereof;

FIG. 7 is a top plan view thereof;

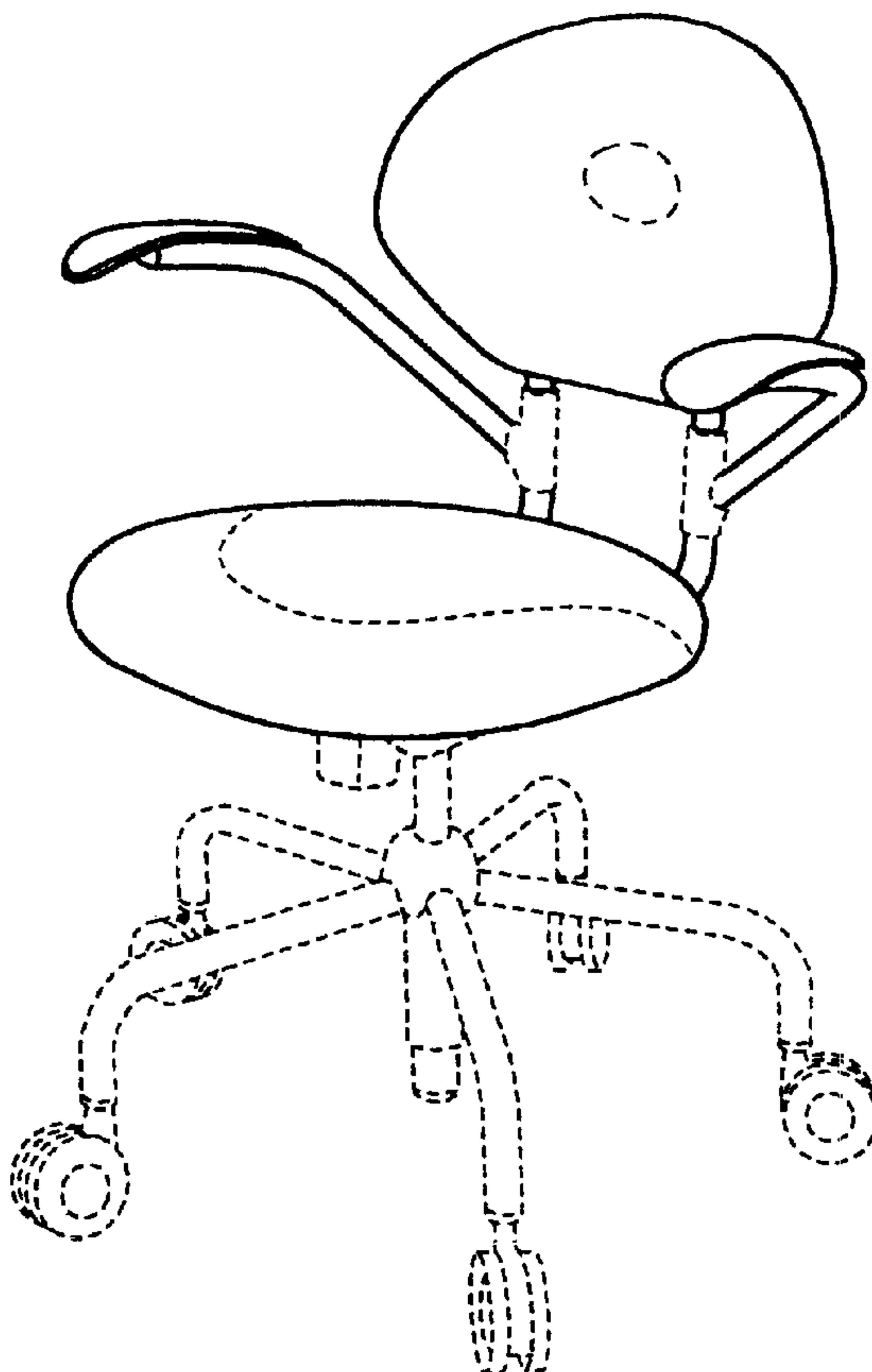
FIG. 8 is a rear elevational view of a second embodiment of the chair;

FIG. 9 is a right side elevational view thereof; and,

FIG. 10 is a left side elevational view thereof.

The broken lines shown are for environmental purposes only and form no part of the claimed design.

**1 Claim, 10 Drawing Sheets**



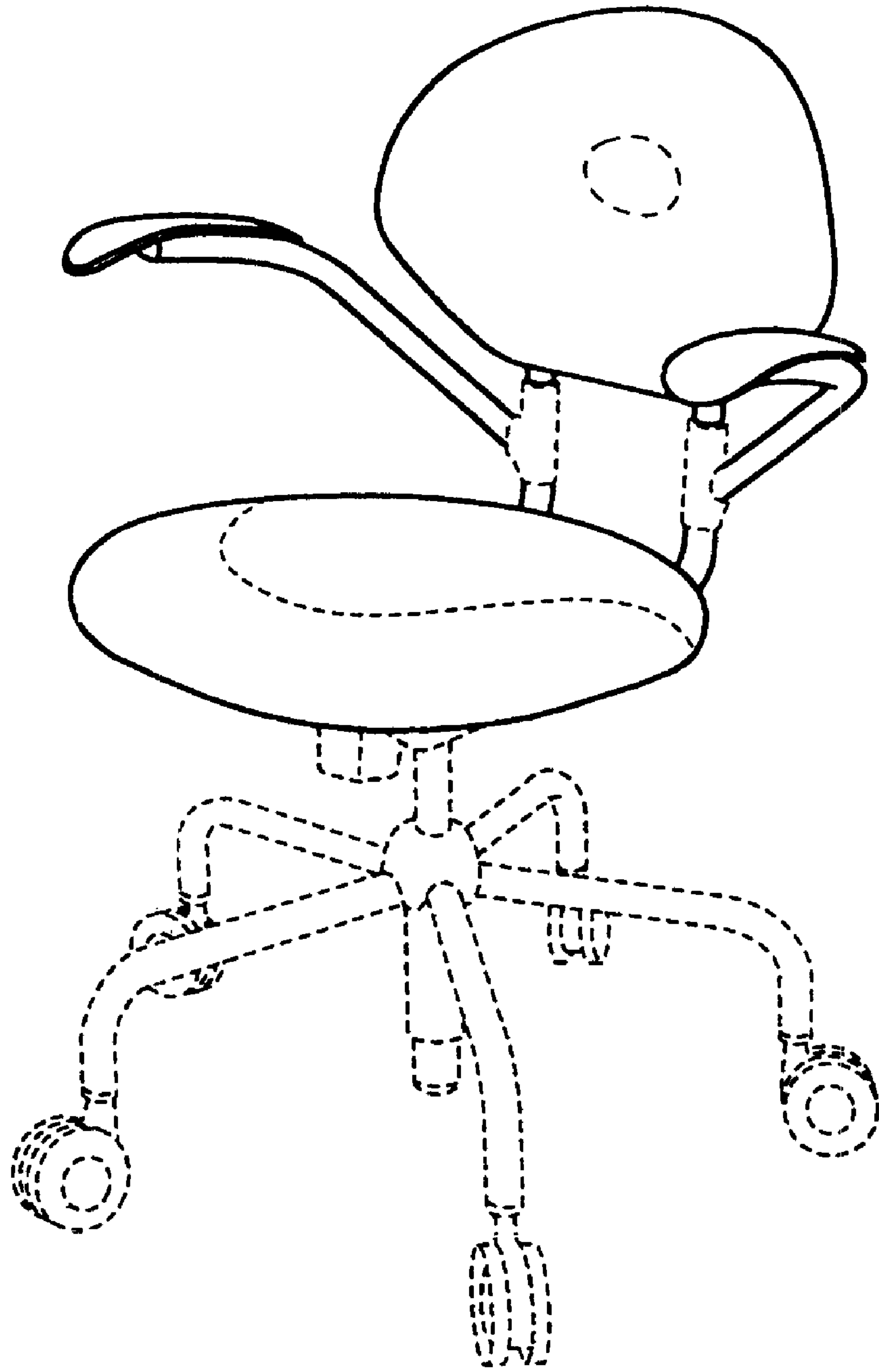


FIG. 1

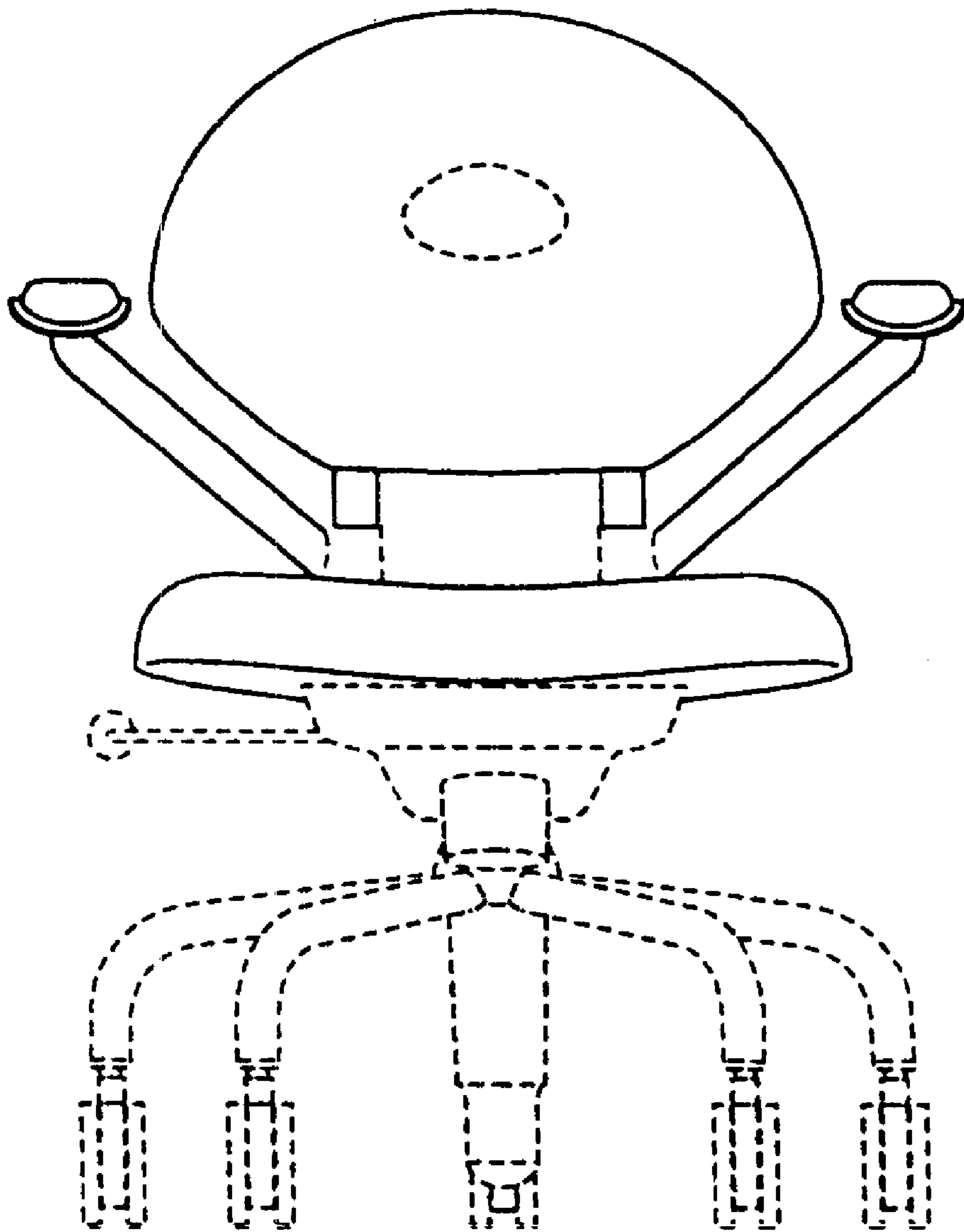


FIG. 2

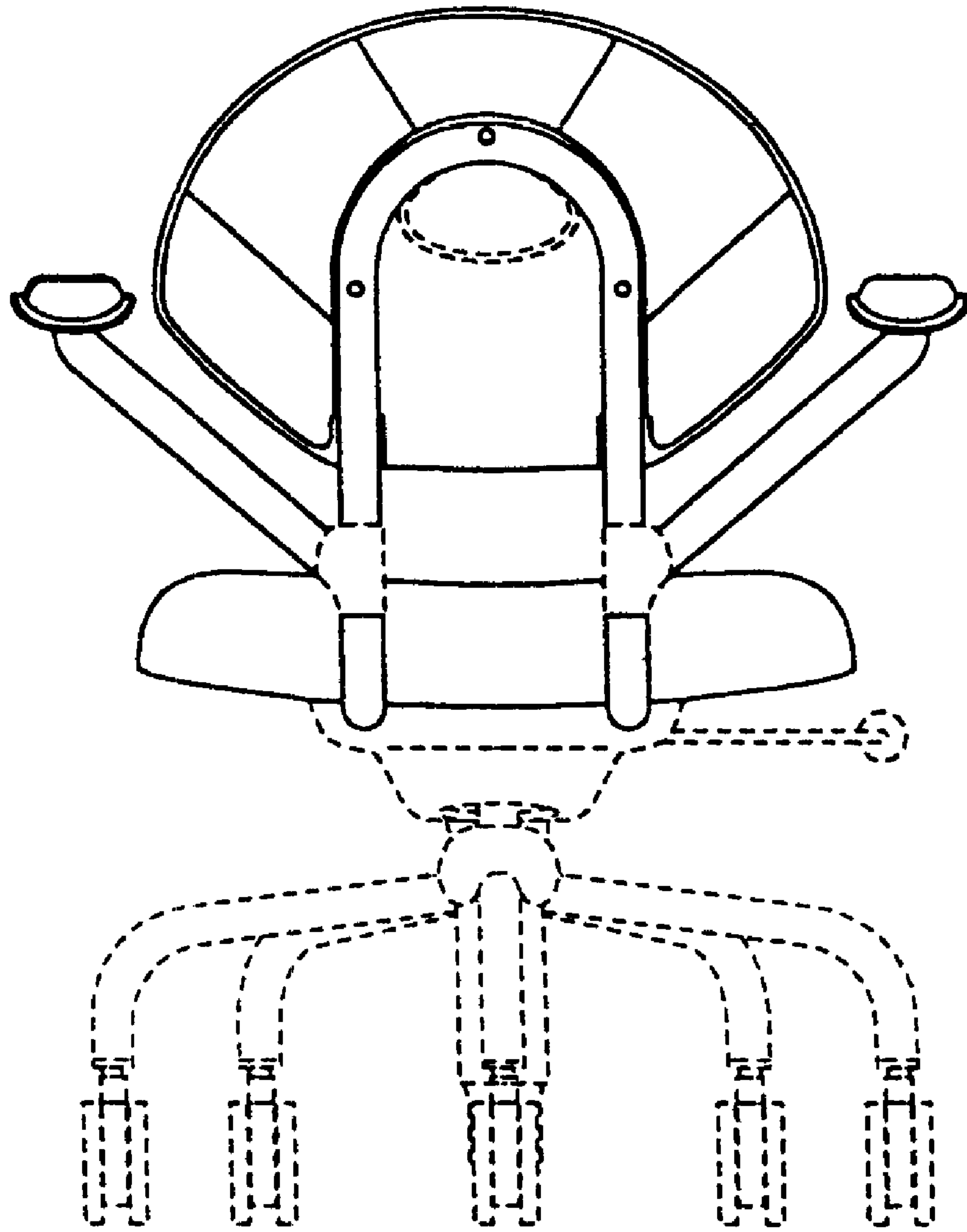


FIG. 3

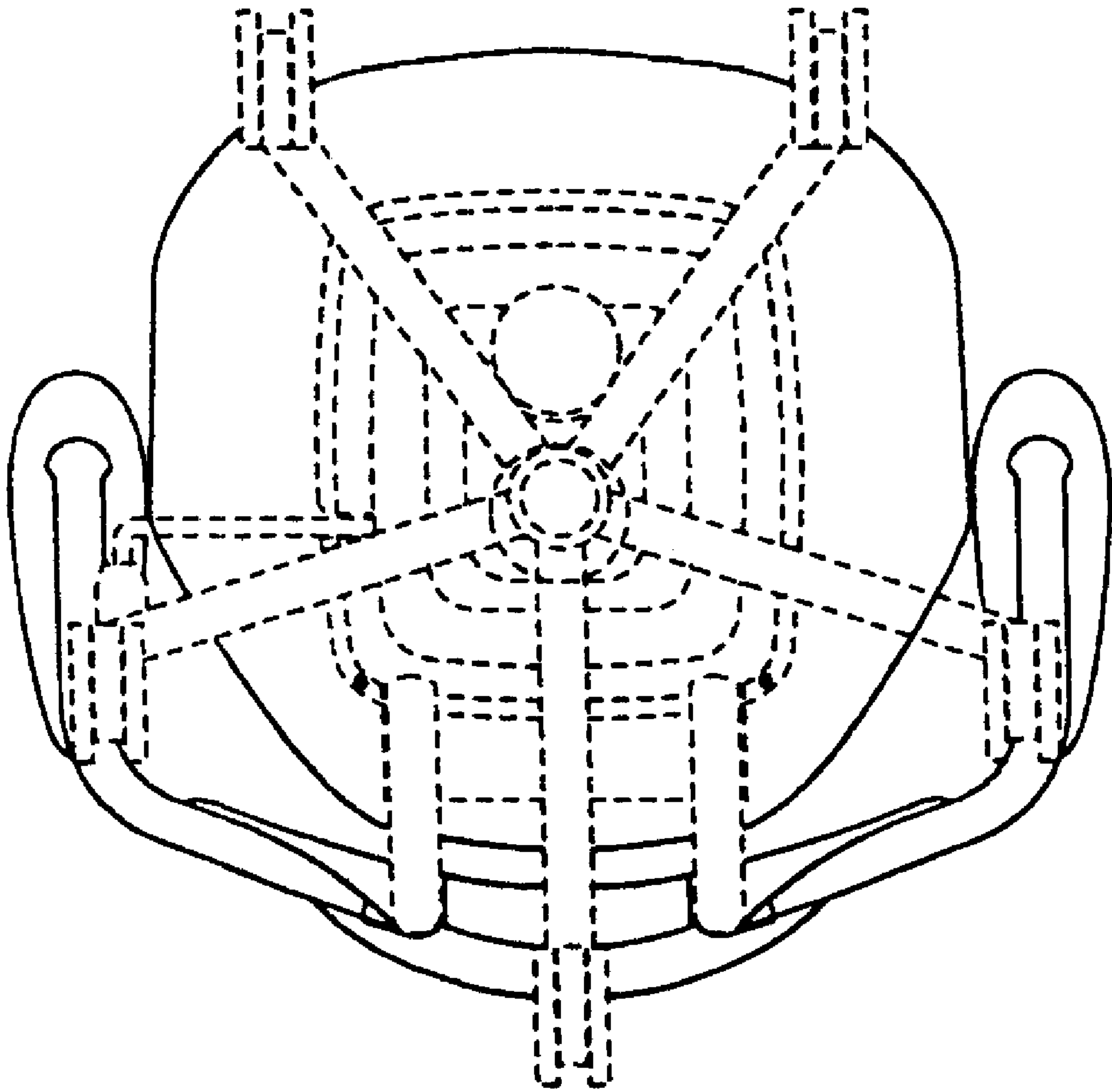


FIG. 4

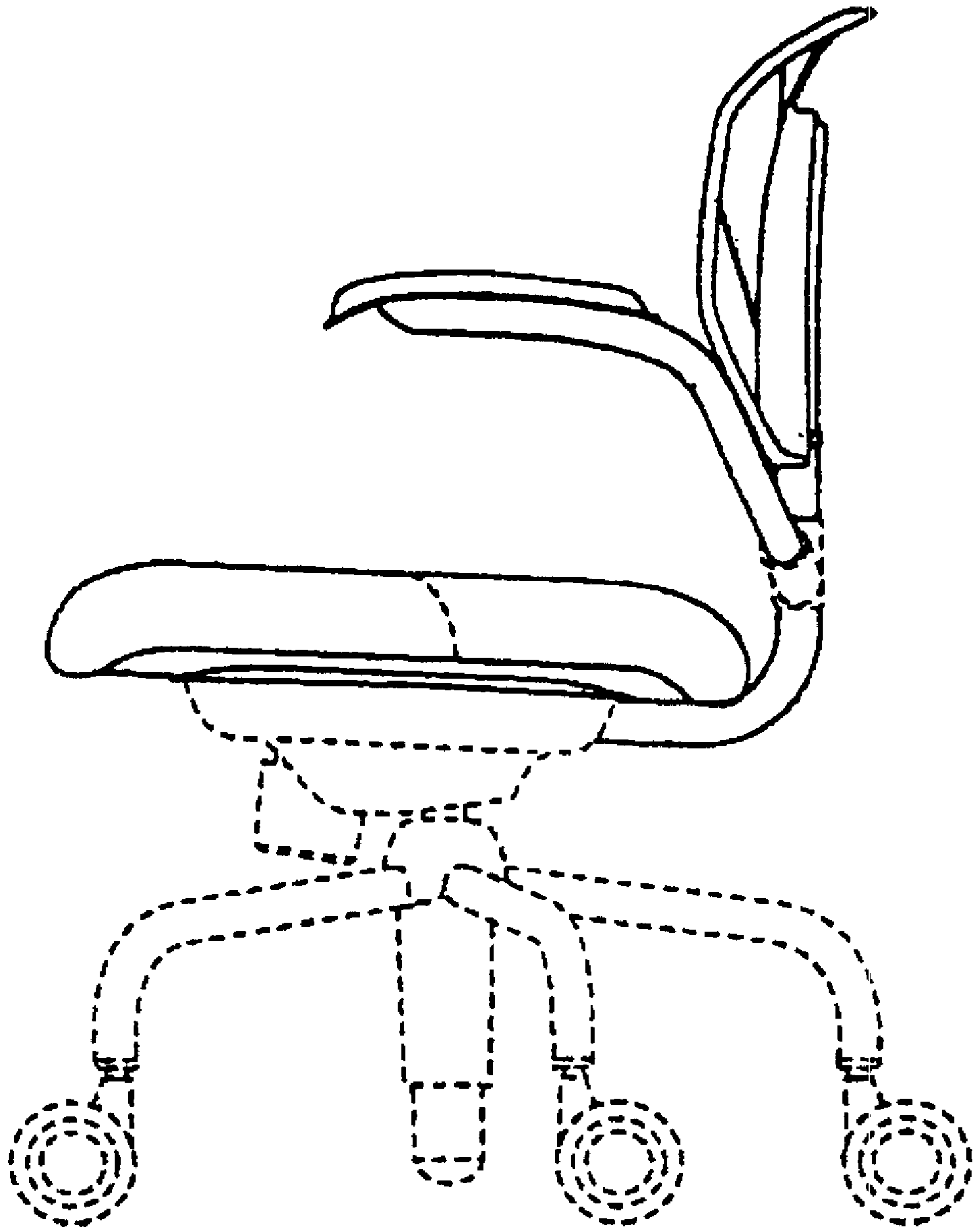


FIG. 5

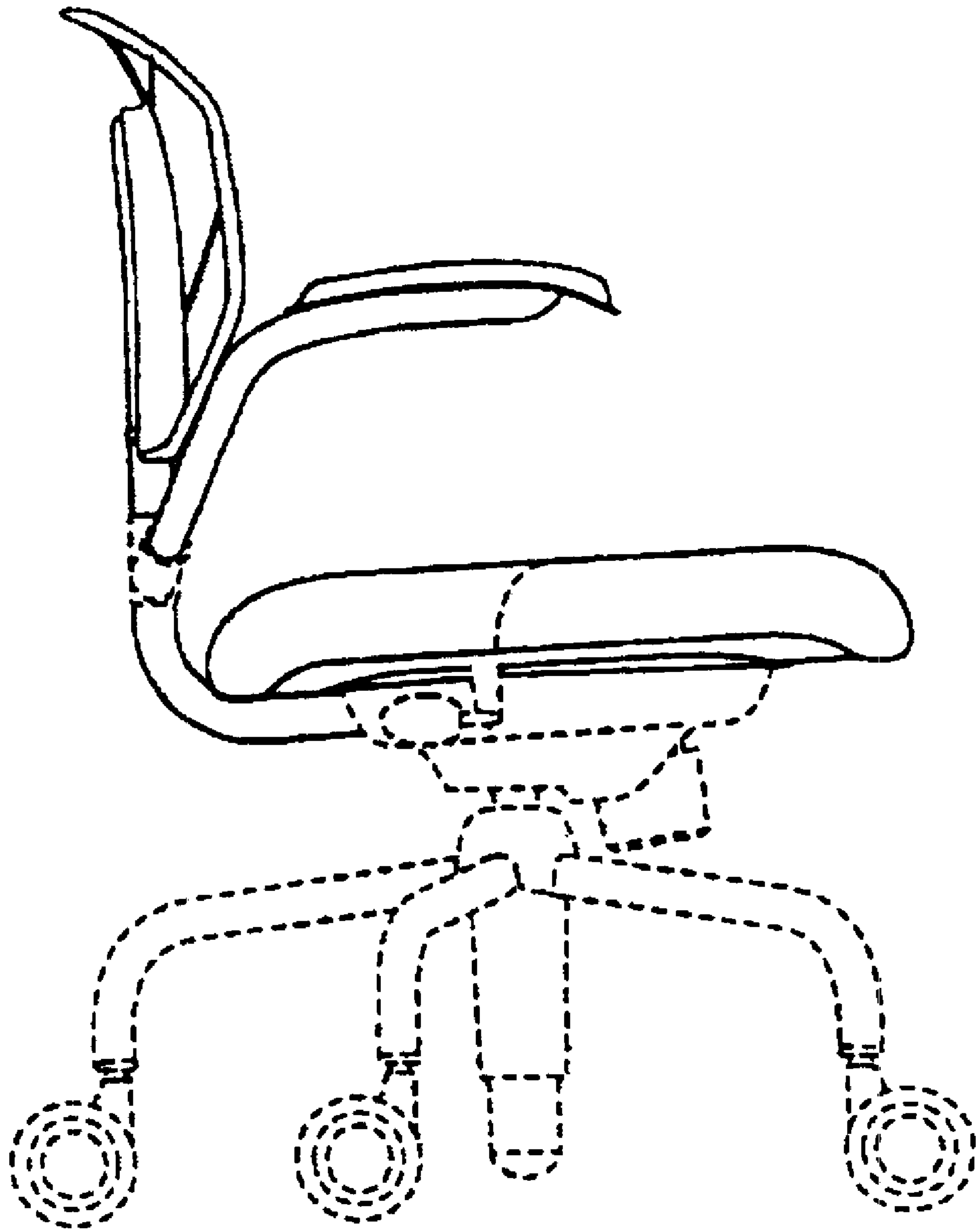


FIG. 6

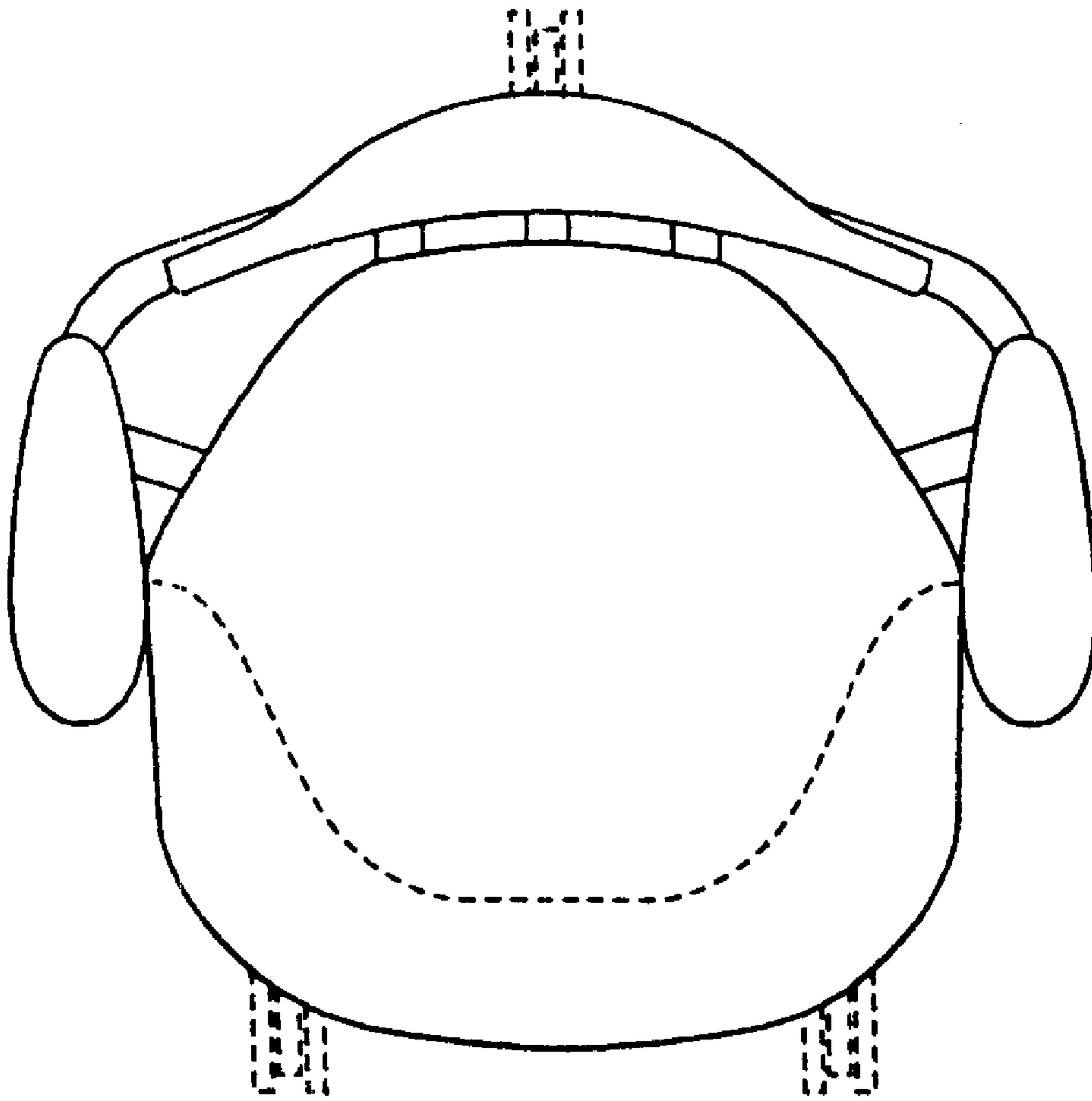


FIG. 7



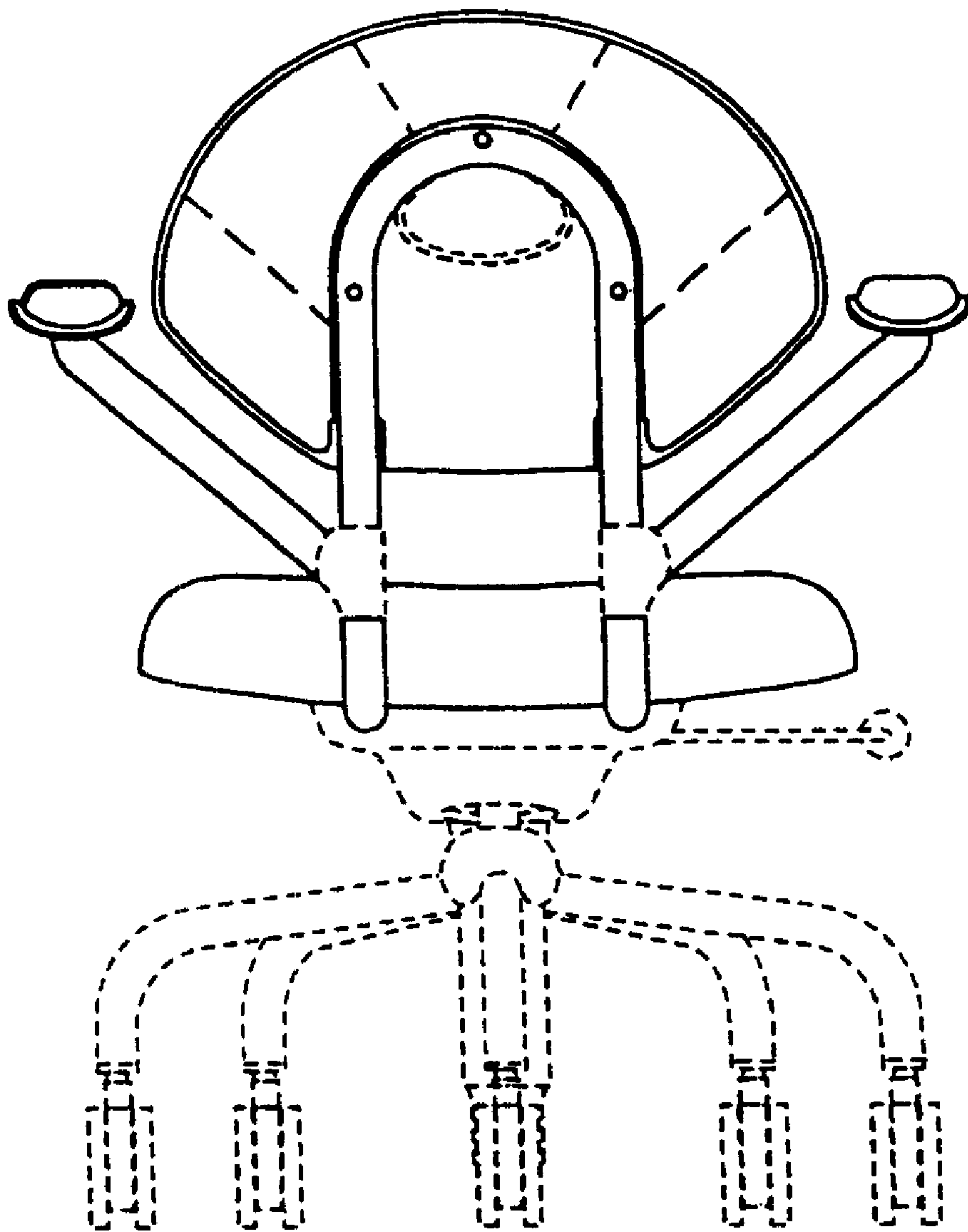


FIG. 8

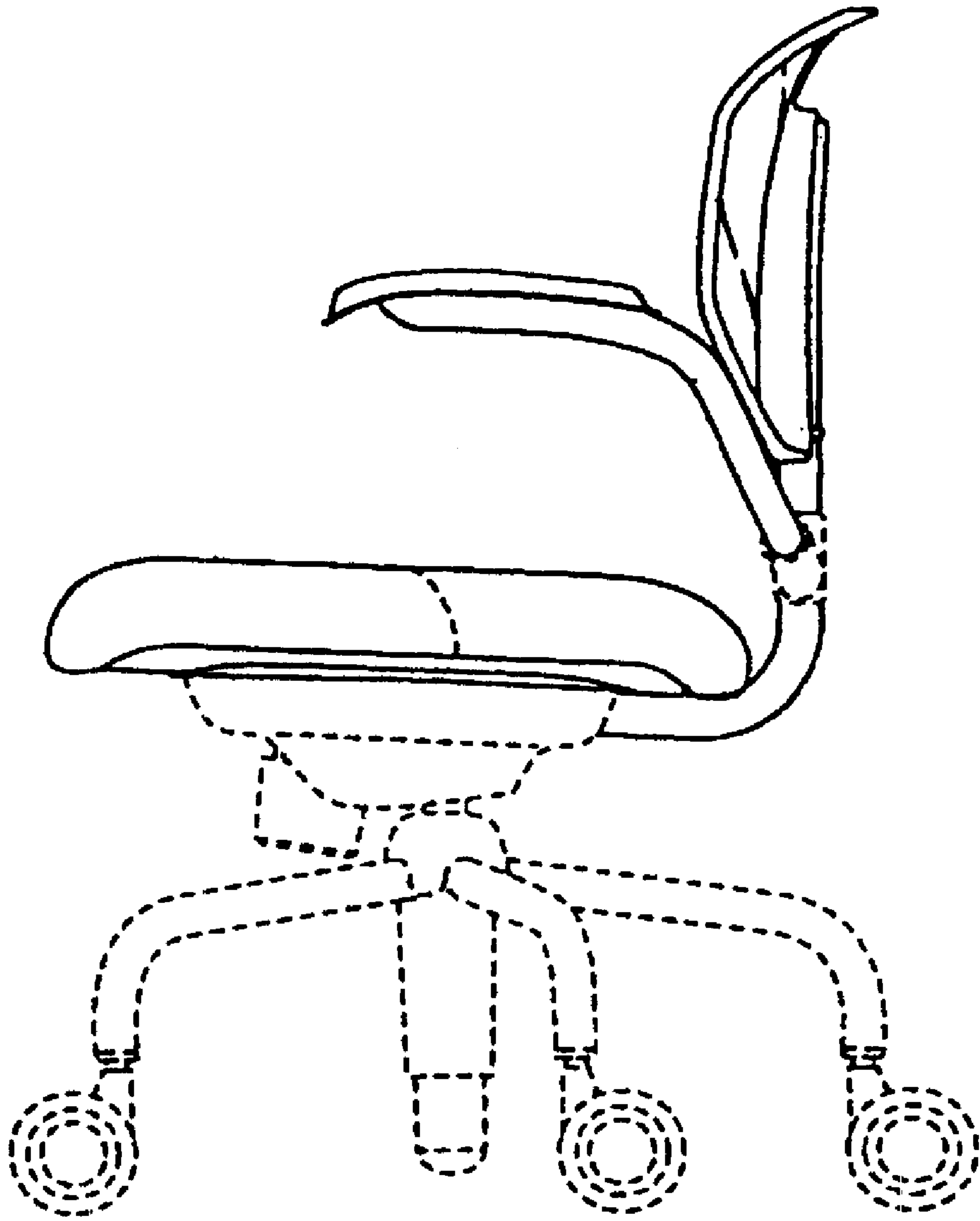


FIG. 9

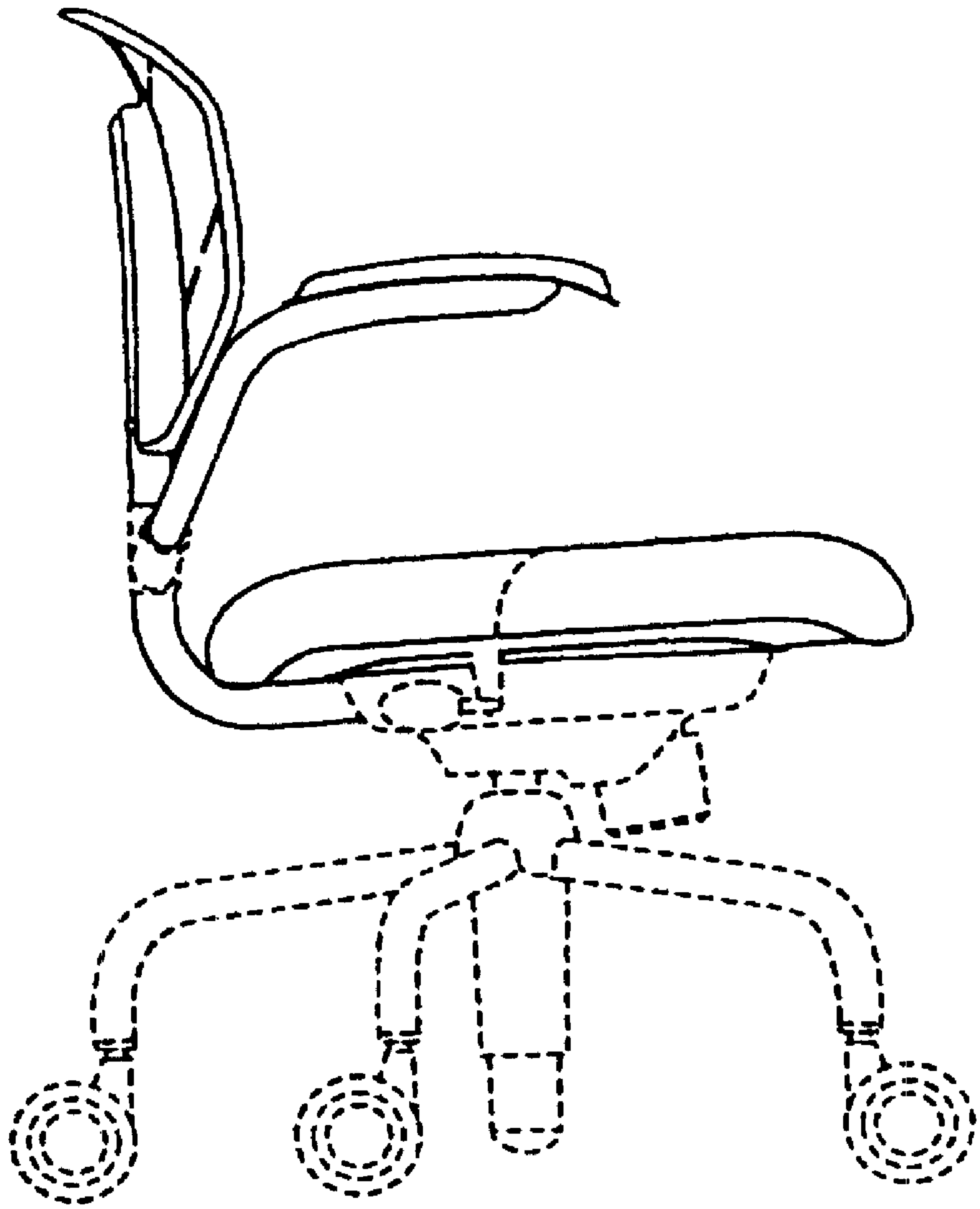


FIG. 10